



US00D702614S

(12) **United States Design Patent**  
**Lemke**

(10) **Patent No.:** **US D702,614 S**  
(45) **Date of Patent:** **\*\* Apr. 15, 2014**

(54) **WHEEL FOR MOTOR VEHICLE, TOY REPLICAS AND/OR OTHER REPLICAS**

(71) Applicant: **Audi AG**, Ingolstadt (DE)

(72) Inventor: **Peter Lemke**, Munich (DE)

(73) Assignee: **Audi AG**, Ingolstadt (DE)

(\*\*) Term: **14 Years**

(21) Appl. No.: **29/458,057**

(22) Filed: **Jun. 14, 2013**

(30) **Foreign Application Priority Data**

Dec. 14, 2012 (EM) ..... 002153528-0006

(51) **LOC (10) Cl.** ..... **12-16**

(52) **U.S. Cl.**  
USPC ..... **D12/211**

(58) **Field of Classification Search**  
USPC ..... D12/204-213; 301/37.101, 64.101, 65, 301/64.201  
See application file for complete search history.

(56) **References Cited**

**U.S. PATENT DOCUMENTS**

D379,612 S \* 6/1997 Honarkhah ..... D12/209  
D431,514 S \* 10/2000 Cullen ..... D12/209

D569,322 S \* 5/2008 Scheu ..... D12/211  
D588,517 S \* 3/2009 Aroney ..... D12/211  
D590,322 S \* 4/2009 Rak ..... D12/211  
D645,389 S \* 9/2011 Nissl ..... D12/209  
D655,657 S \* 3/2012 Juergens et al. .... D12/209  
D660,767 S \* 5/2012 Von Holzhausen et al. . D12/209  
D666,958 S \* 9/2012 Suzuki ..... D12/211  
D686,132 S \* 7/2013 Truebsbach ..... D12/209  
D688,188 S \* 8/2013 Baum ..... D12/211  
D689,809 S \* 9/2013 Kim ..... D12/209  
D691,081 S \* 10/2013 Watkin ..... D12/211

\* cited by examiner

*Primary Examiner* — Stacia Cadmus

(74) *Attorney, Agent, or Firm* — Abelman, Frayne & Schwab

(57) **CLAIM**

The ornamental design for wheel for motor vehicle, toy replica and/or other replicas, as shown and described.

**DESCRIPTION**

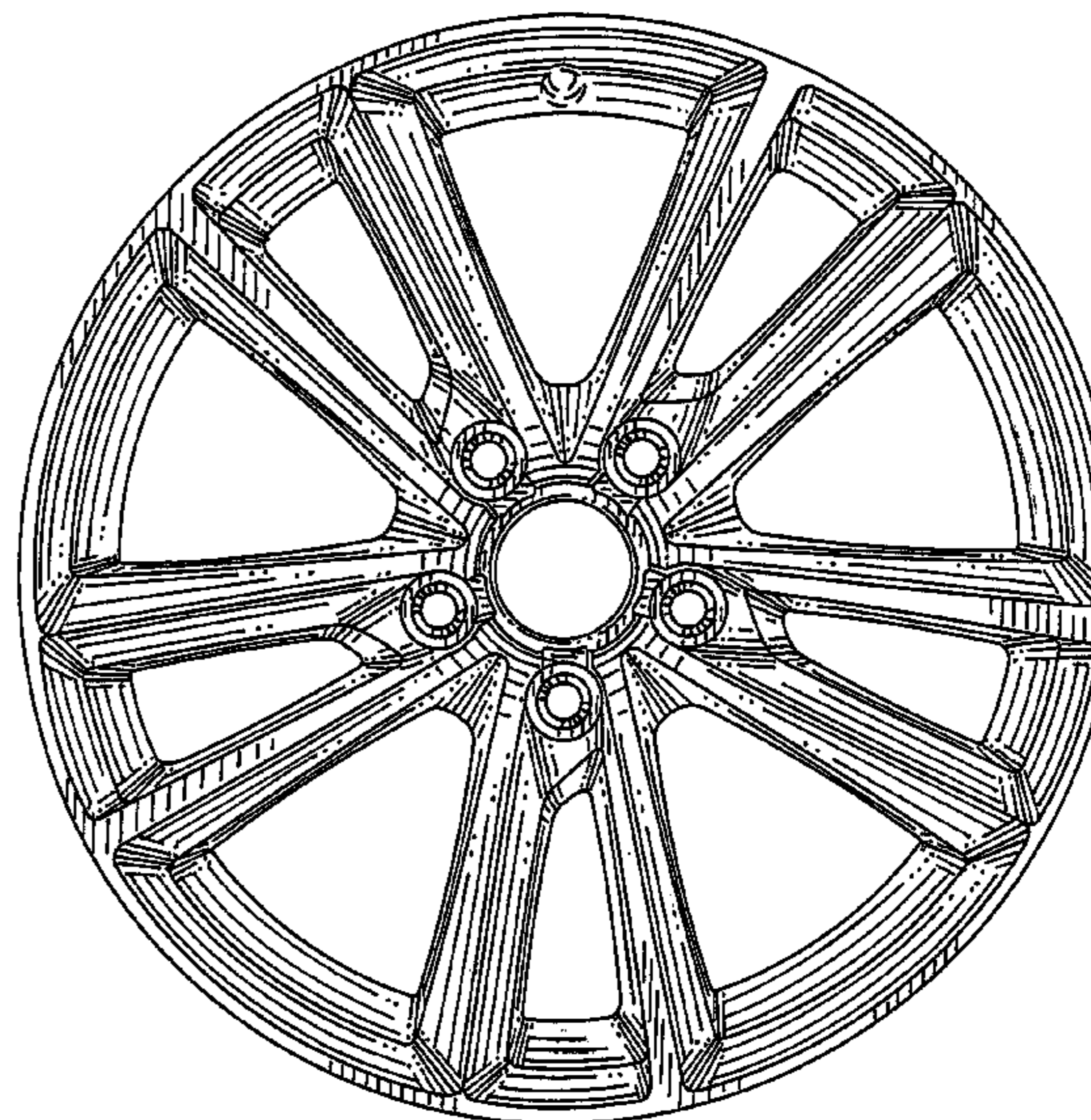
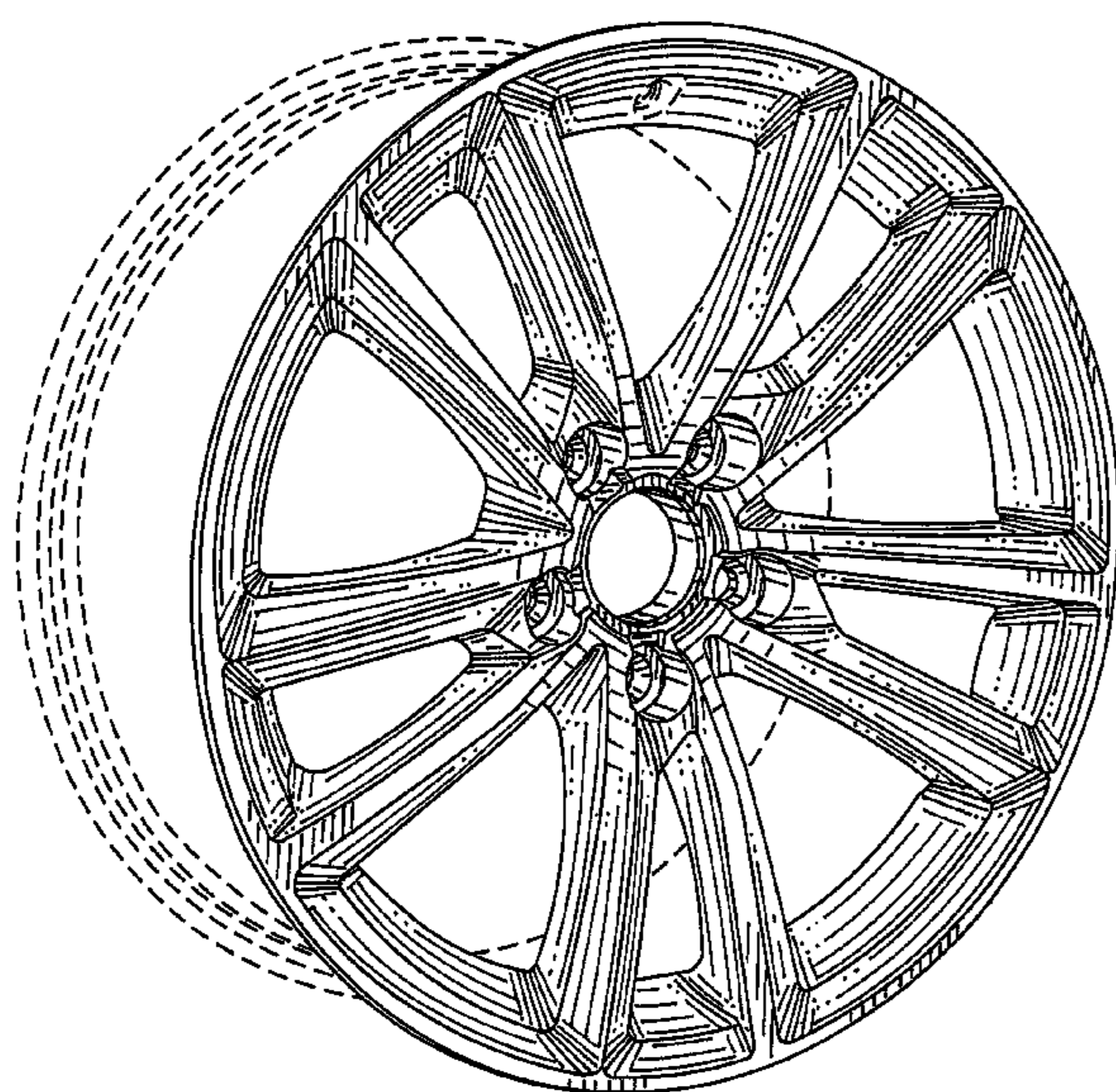
FIG. 1 is a front and left side perspective view of the wheel for motor vehicle, toy replica and/or other replicas, showing my new design;

FIG. 2 is a front elevational view thereof; and,

FIG. 3 is a right side elevational view thereof.

The broken lines represent portions of the wheel for motor vehicle, toy replica and/or other replicas, which form no part of the claimed design.

**1 Claim, 3 Drawing Sheets**



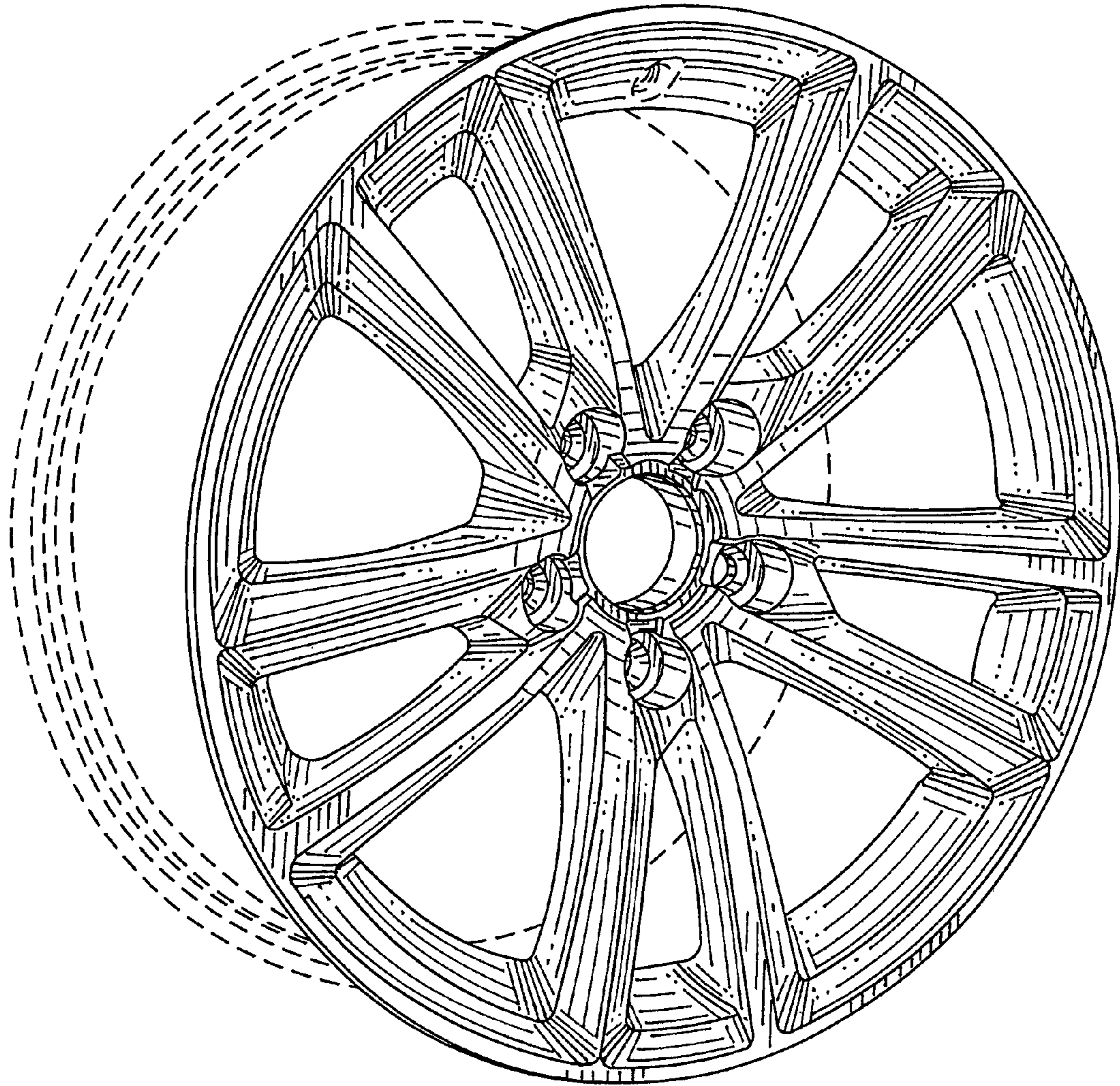


FIG. 1

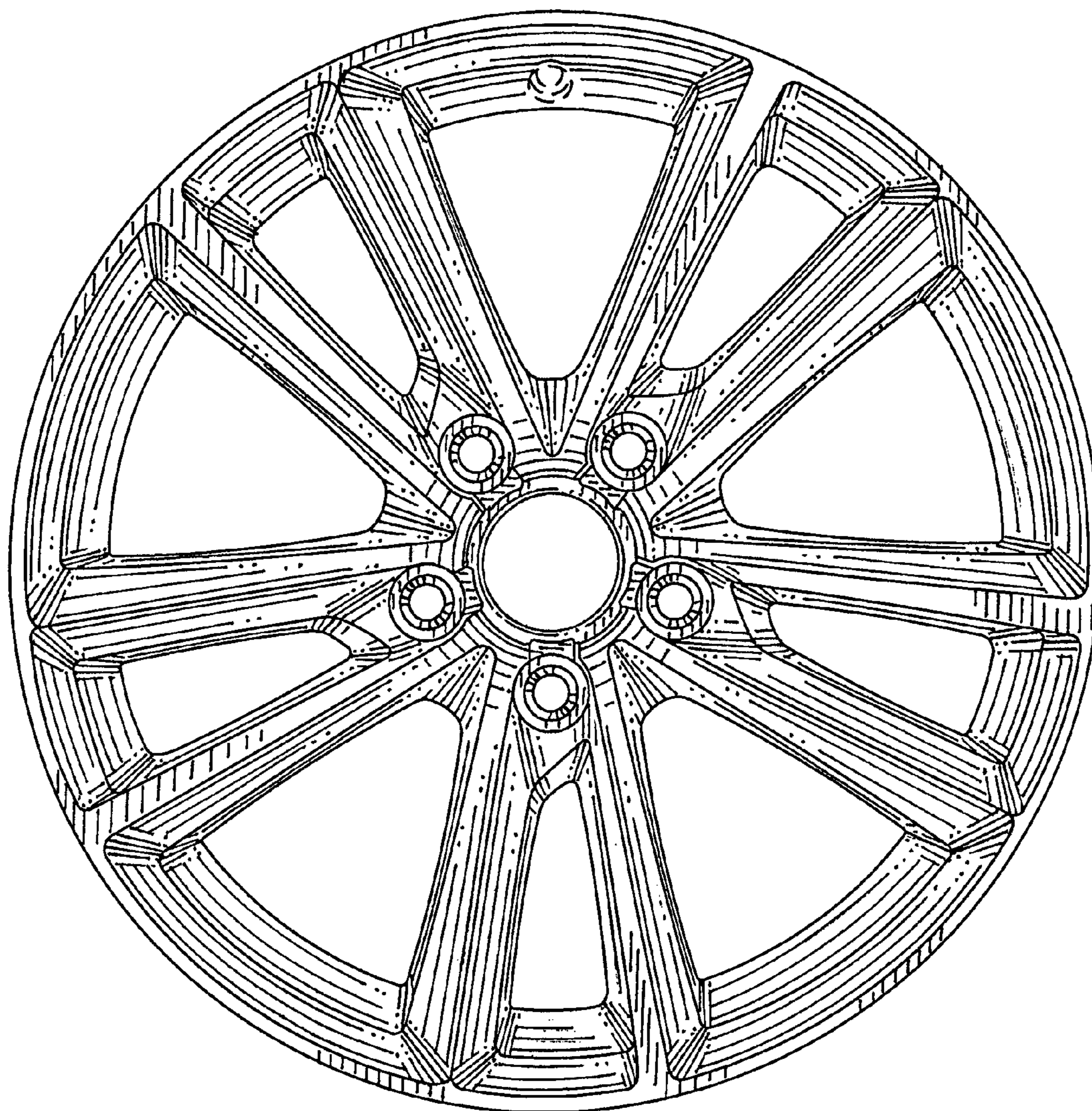


FIG. 2

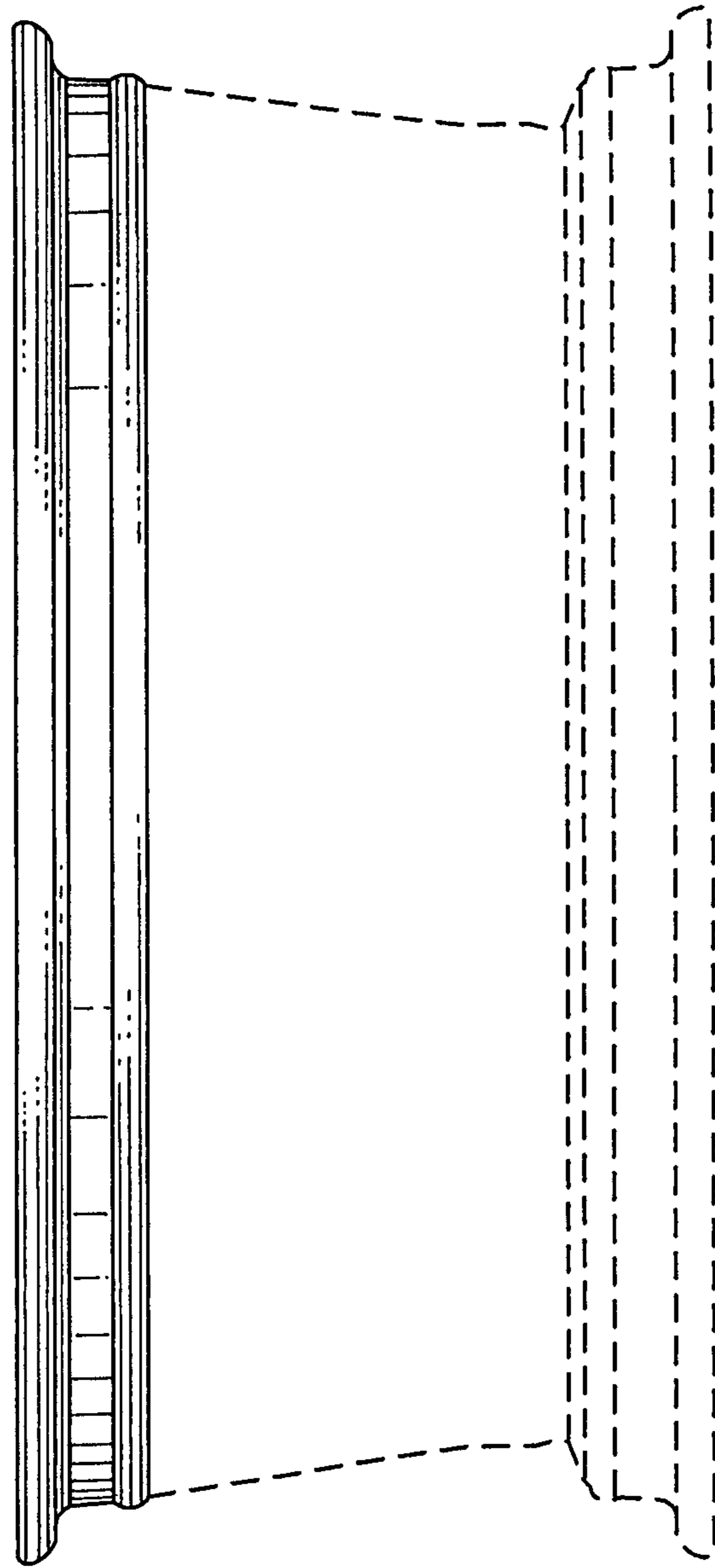


FIG. 3