



US00D702599S

(12) **United States Design Patent**
Lu

(10) **Patent No.:** **US D702,599 S**
(45) **Date of Patent:** **** Apr. 15, 2014**

- (54) **BABY WALKER**
- (71) Applicant: **Jin Sun Gee Plastics Co., Ltd.**, Tainan (TW)
- (72) Inventor: **Pei-Lung Lu**, Tainan (TW)
- (73) Assignee: **Jin Sun Gee Plastics Co., Ltd.**, Tainan (TW)
- (**) Term: **14 Years**
- (21) Appl. No.: **29/448,349**
- (22) Filed: **Mar. 12, 2013**

(30) **Foreign Application Priority Data**
Jan. 21, 2013 (TW) 102300554

(51) **LOC (10) Cl.** **12-12**
(52) **U.S. Cl.**
USPC **D12/130**

(58) **Field of Classification Search**
USPC D21/419, 424, 426, 433, 533, 548, 562;
D12/128, 129, 130, 133; 280/7.1,
280/87.041, 87.05, 87.051; 297/5; 285/66,
285/67, 68, 69
See application file for complete search history.

(56) **References Cited**
U.S. PATENT DOCUMENTS
D445,143 S * 7/2001 Bellows D21/419
D451,052 S * 11/2001 Lu D12/130

D475,325 S *	6/2003	Wu	D12/133
6,863,287 B2 *	3/2005	Myers et al.	280/87.051
D587,764 S *	3/2009	Cheng	D21/419
D612,302 S *	3/2010	Cheng	D12/133
D627,009 S *	11/2010	Lu	D21/419
D630,259 S *	1/2011	Lu	D21/421
D679,337 S *	4/2013	Lai	D21/419

* cited by examiner

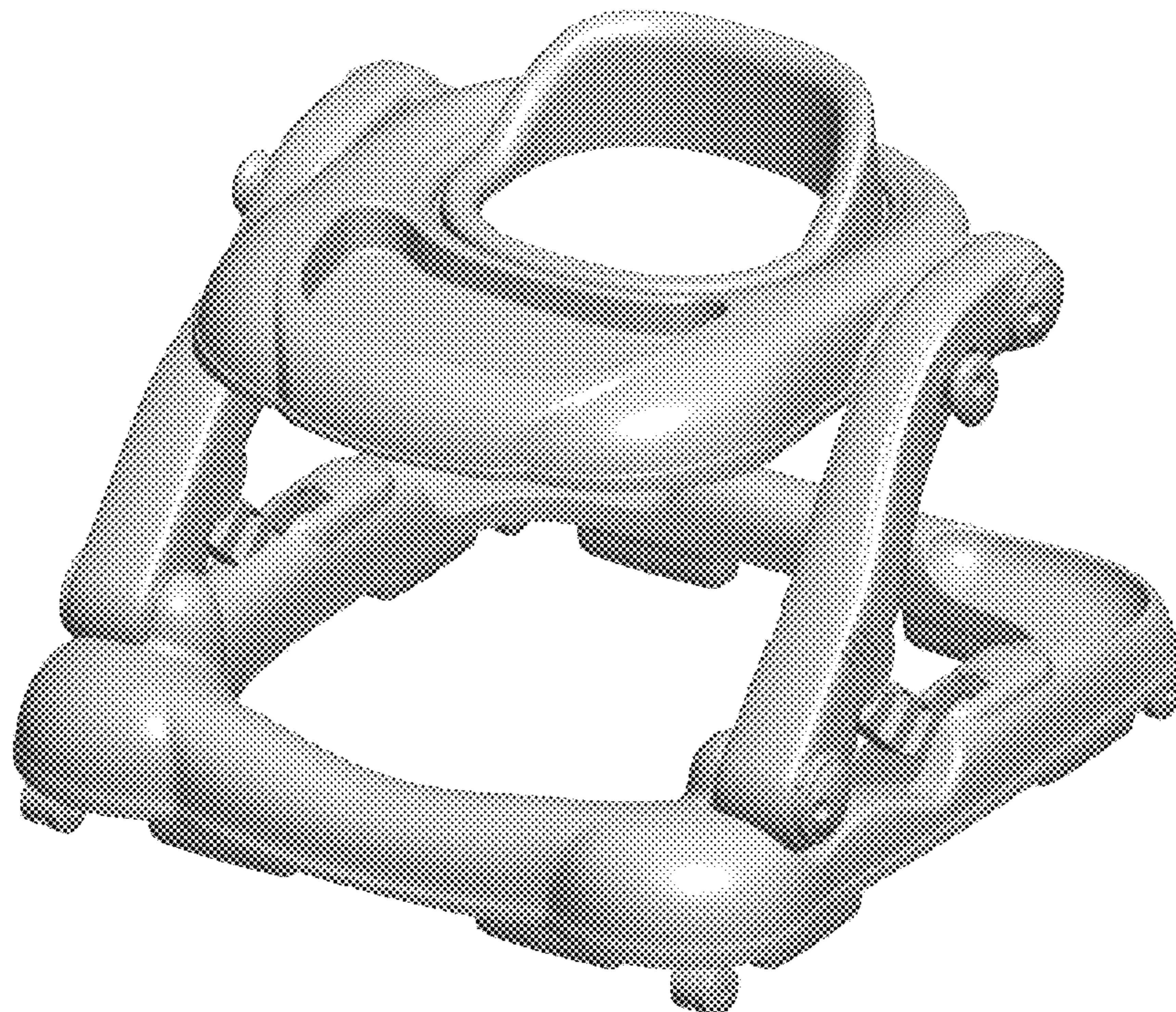
Primary Examiner — Ian Simmons
Assistant Examiner — Charles Hanson
(74) *Attorney, Agent, or Firm* — Wang Law Firm, Inc.; Li K. Wang; Stephen Hsu

(57) **CLAIM**
The ornamental design for a baby walker, as shown and described.

DESCRIPTION

FIG. 1 is a front perspective view of a baby walker, showing my new design;
FIG. 2 is a bottom perspective view thereof;
FIG. 3 is a front elevational view thereof;
FIG. 4 is a rear elevational view thereof;
FIG. 5 is a left side elevational view thereof;
FIG. 6 is a right side elevational view thereof;
FIG. 7 is a top view elevational thereof;
FIG. 8 is a bottom elevational view thereof;
FIG. 9 is a front perspective view thereof in a folded position; and,
FIG. 10 is a bottom perspective view thereof in a folded position.

1 Claim, 10 Drawing Sheets



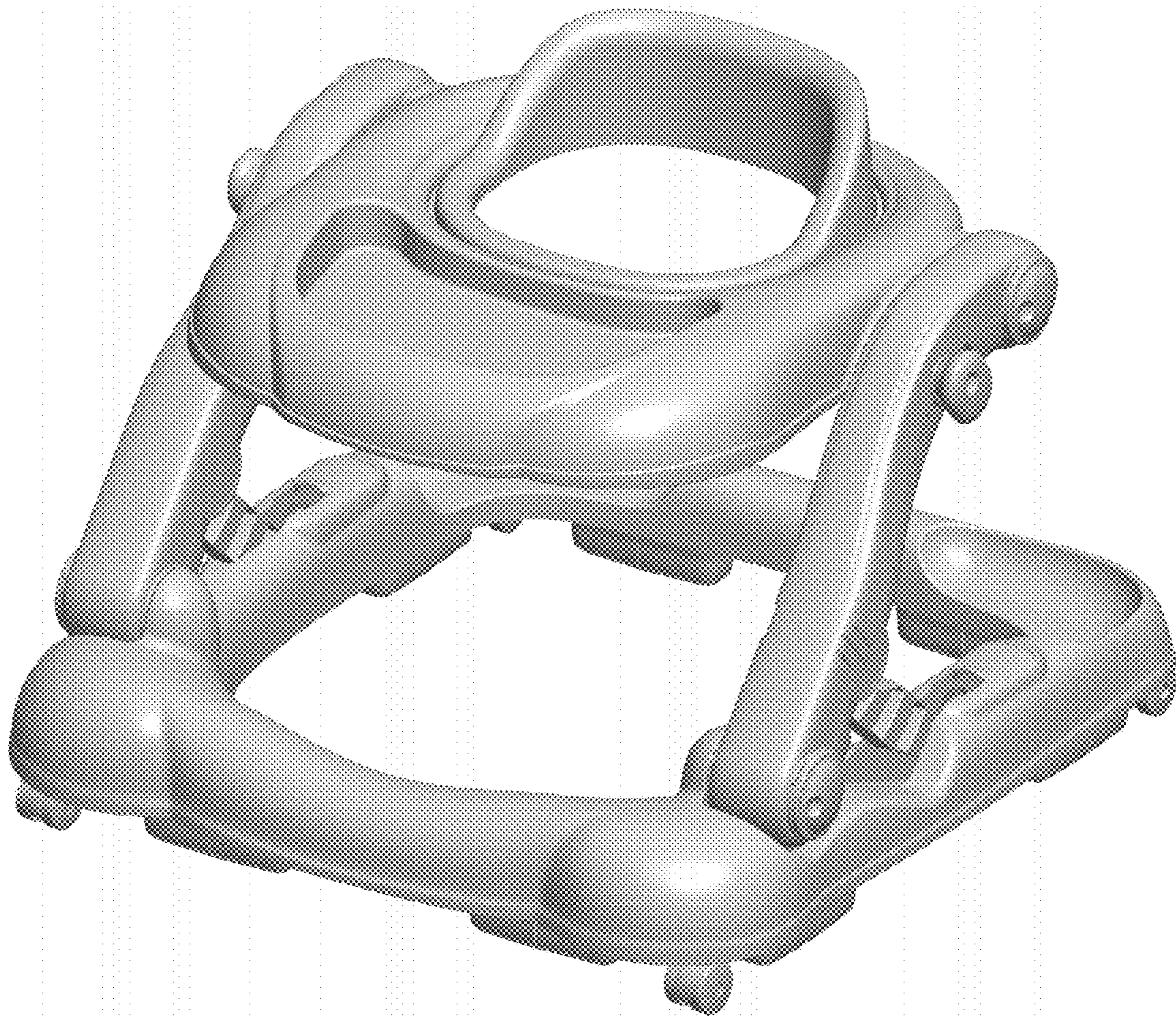


FIG. 1

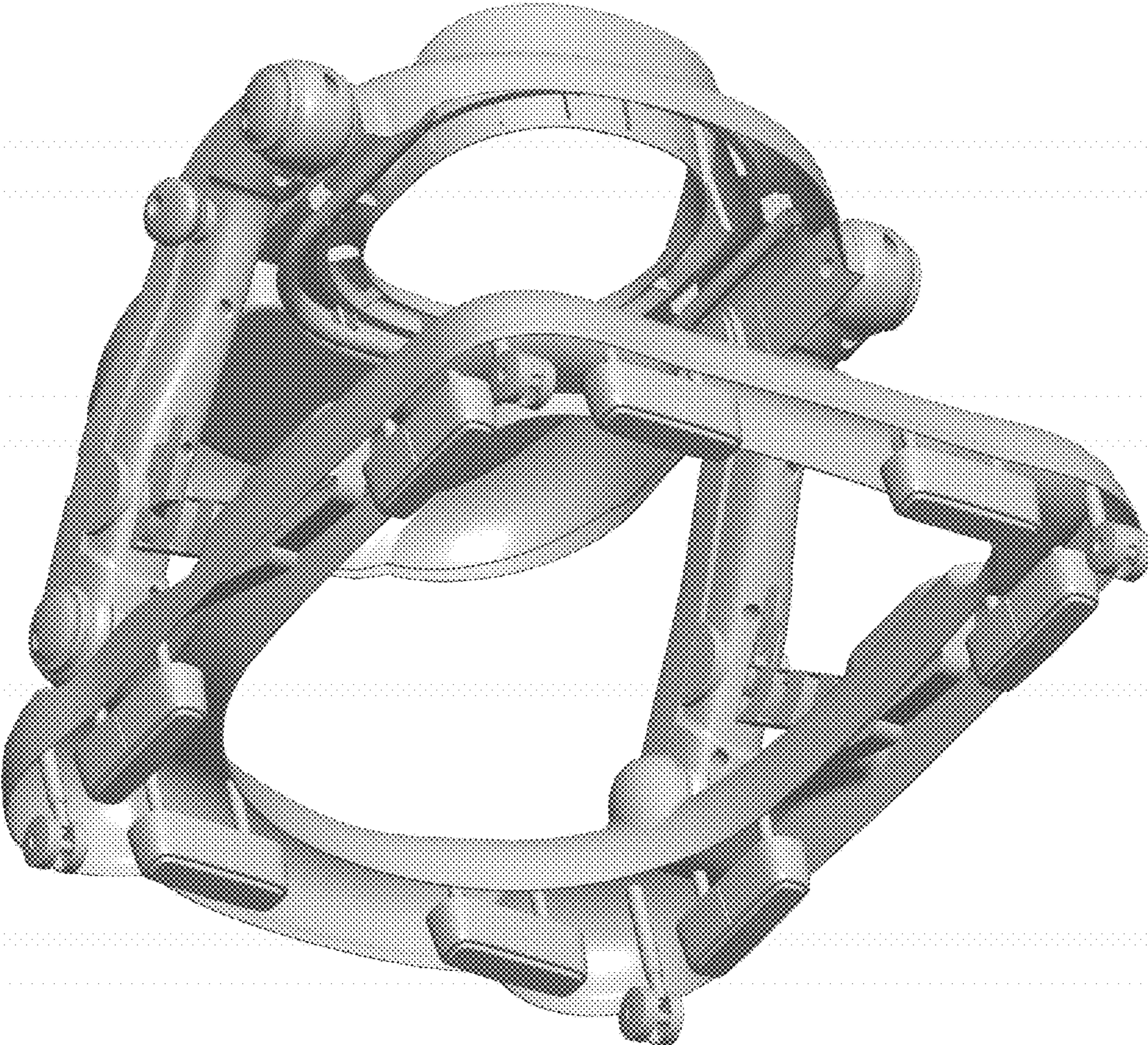


FIG. 2

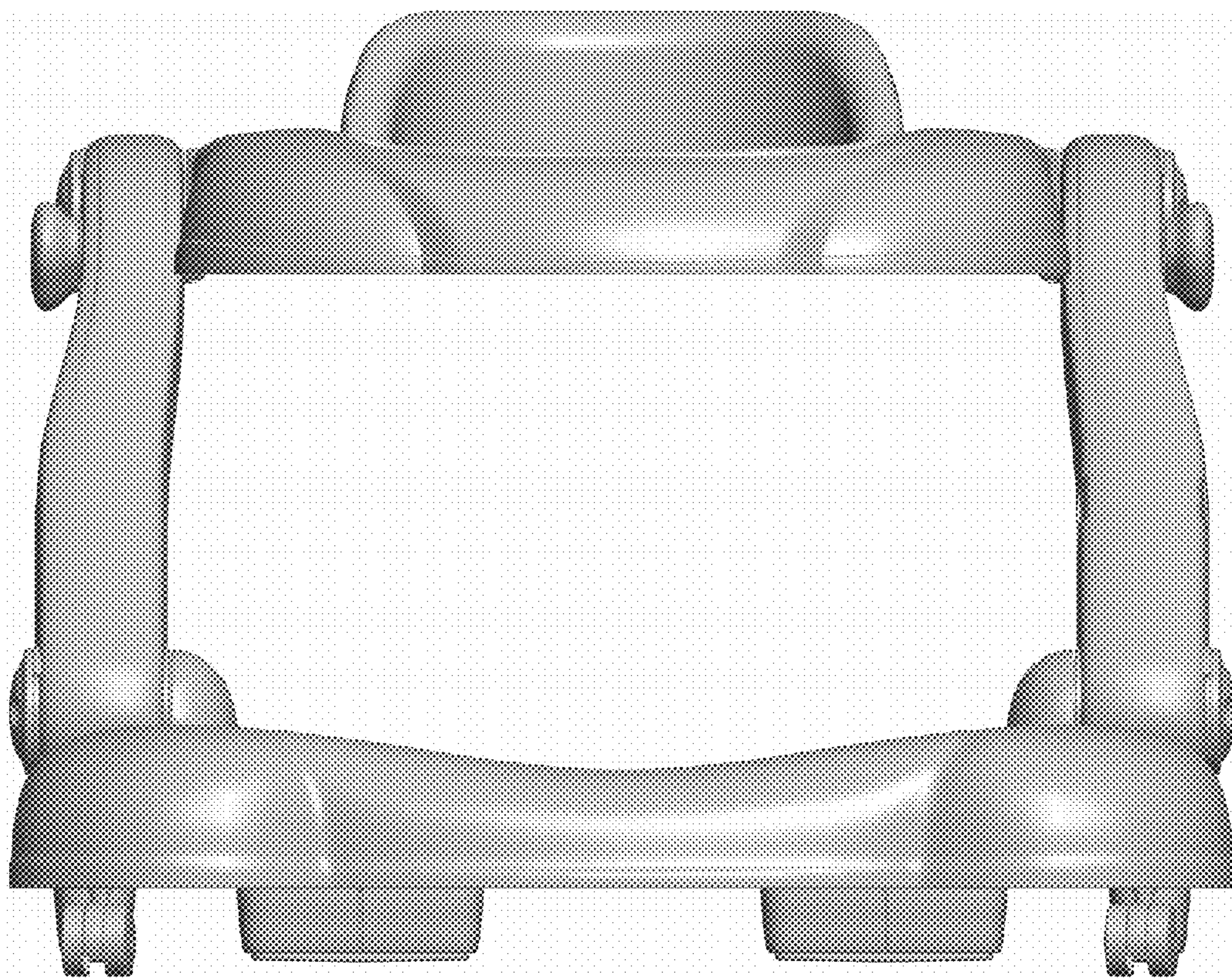


FIG. 3

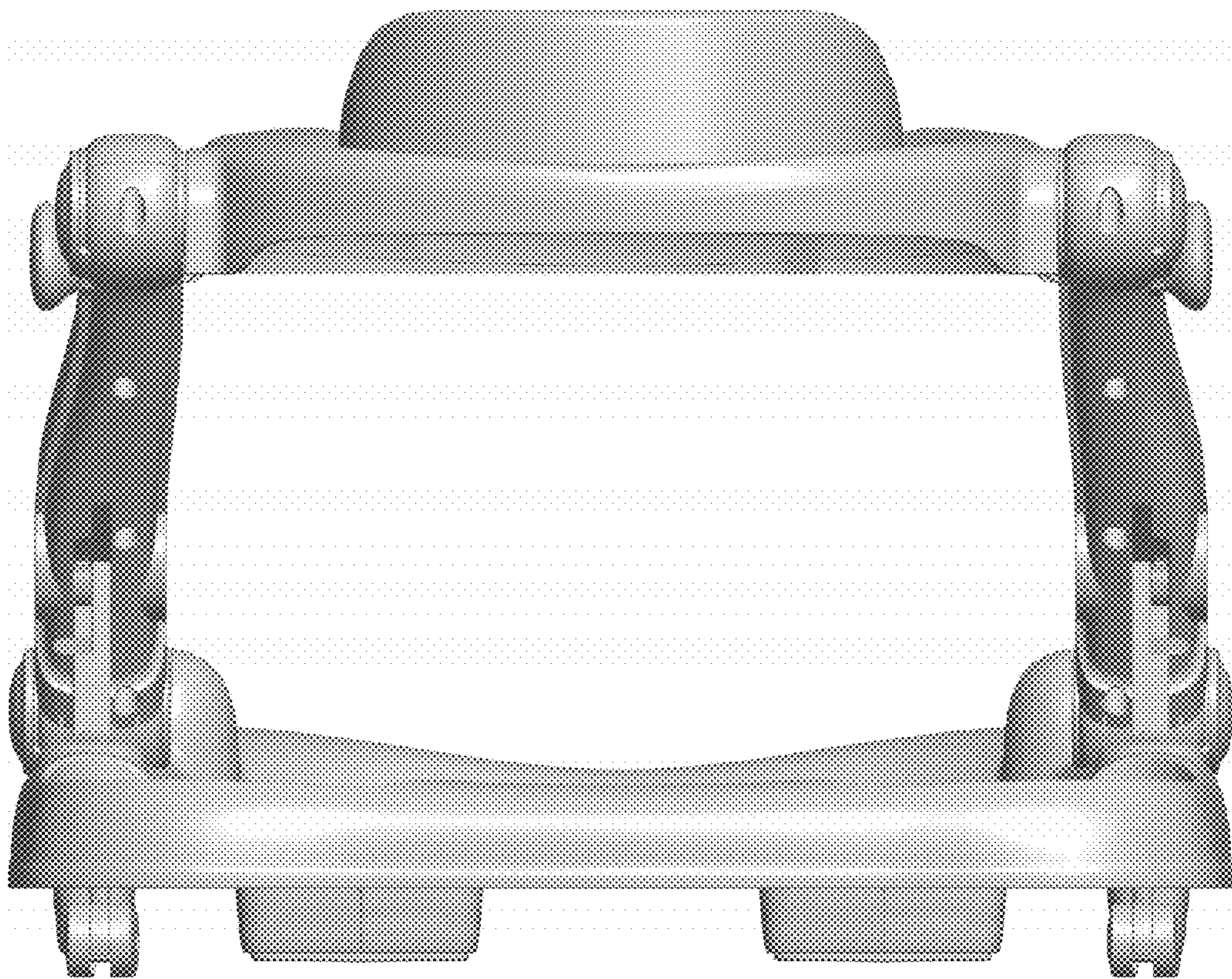


FIG. 4

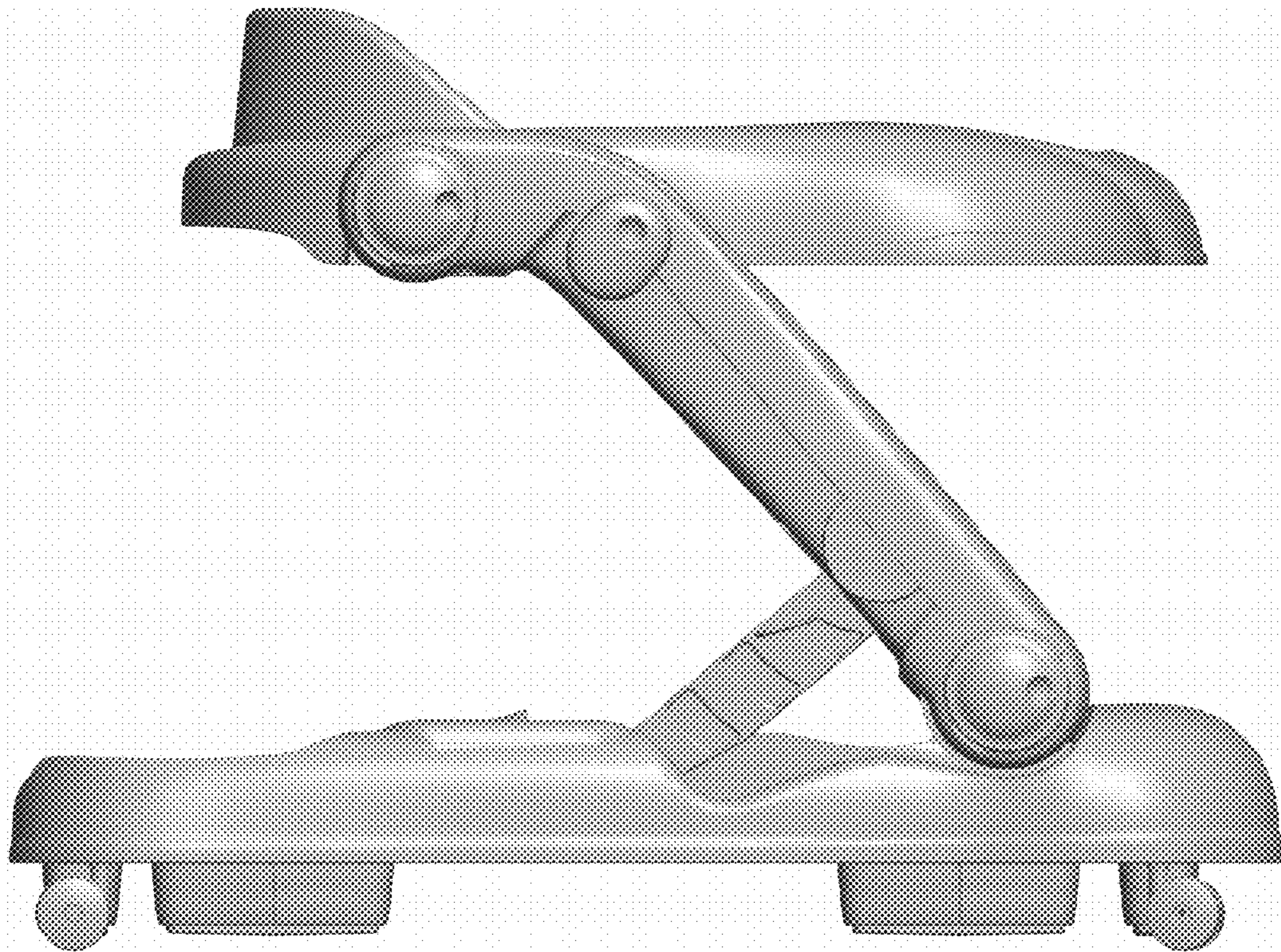


FIG. 5

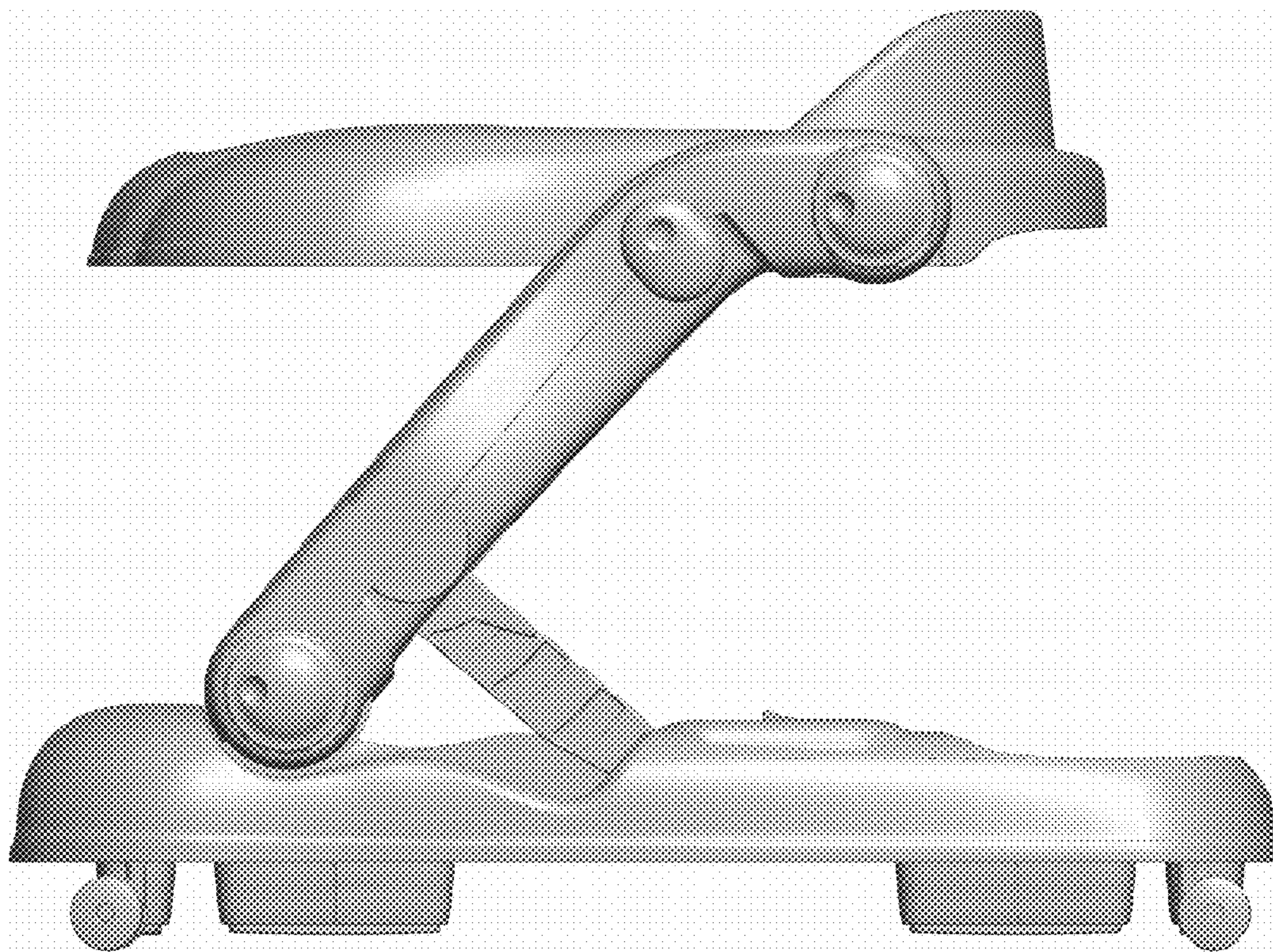


FIG. 6



FIG. 7

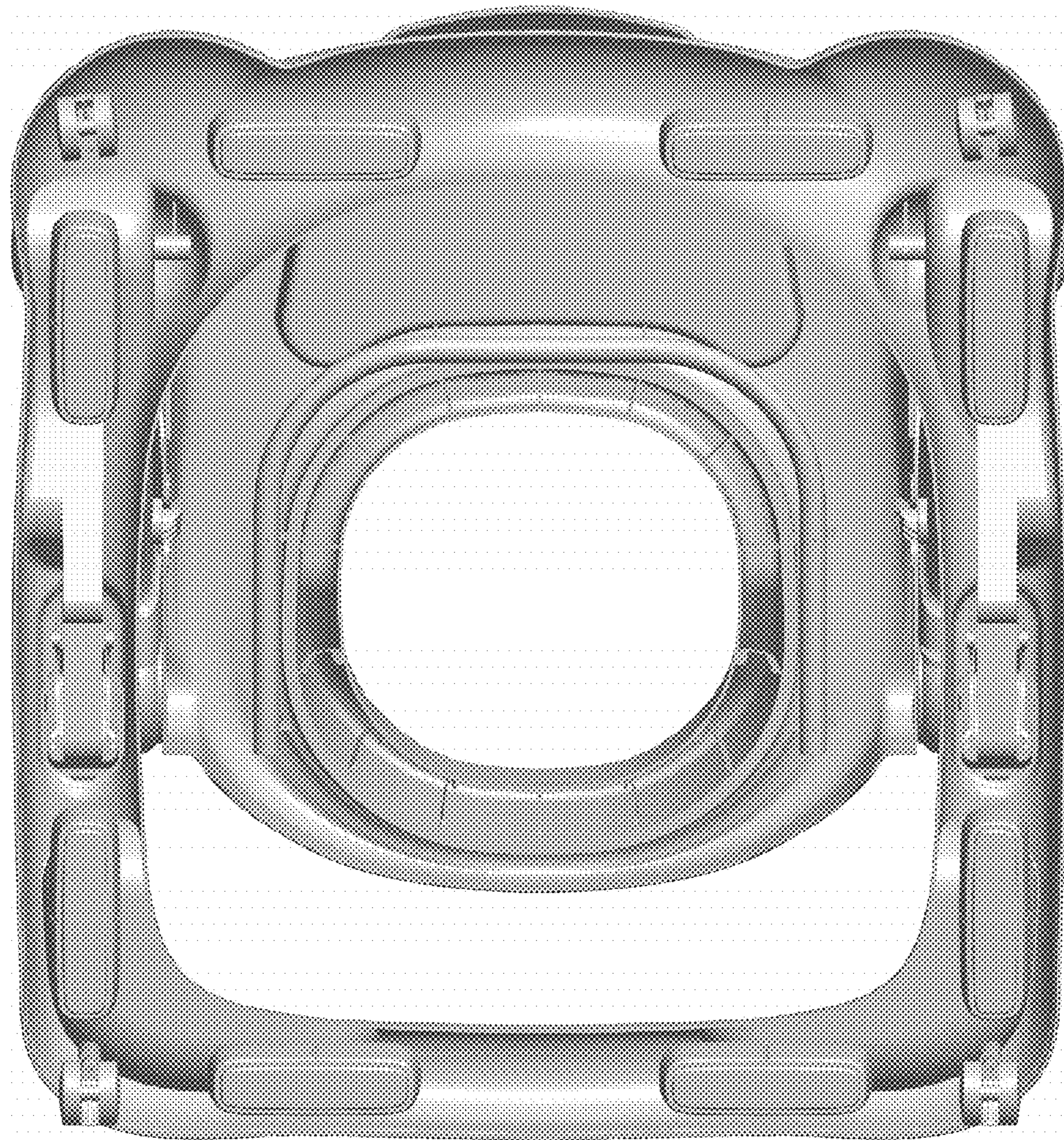


FIG. 8



FIG. 9

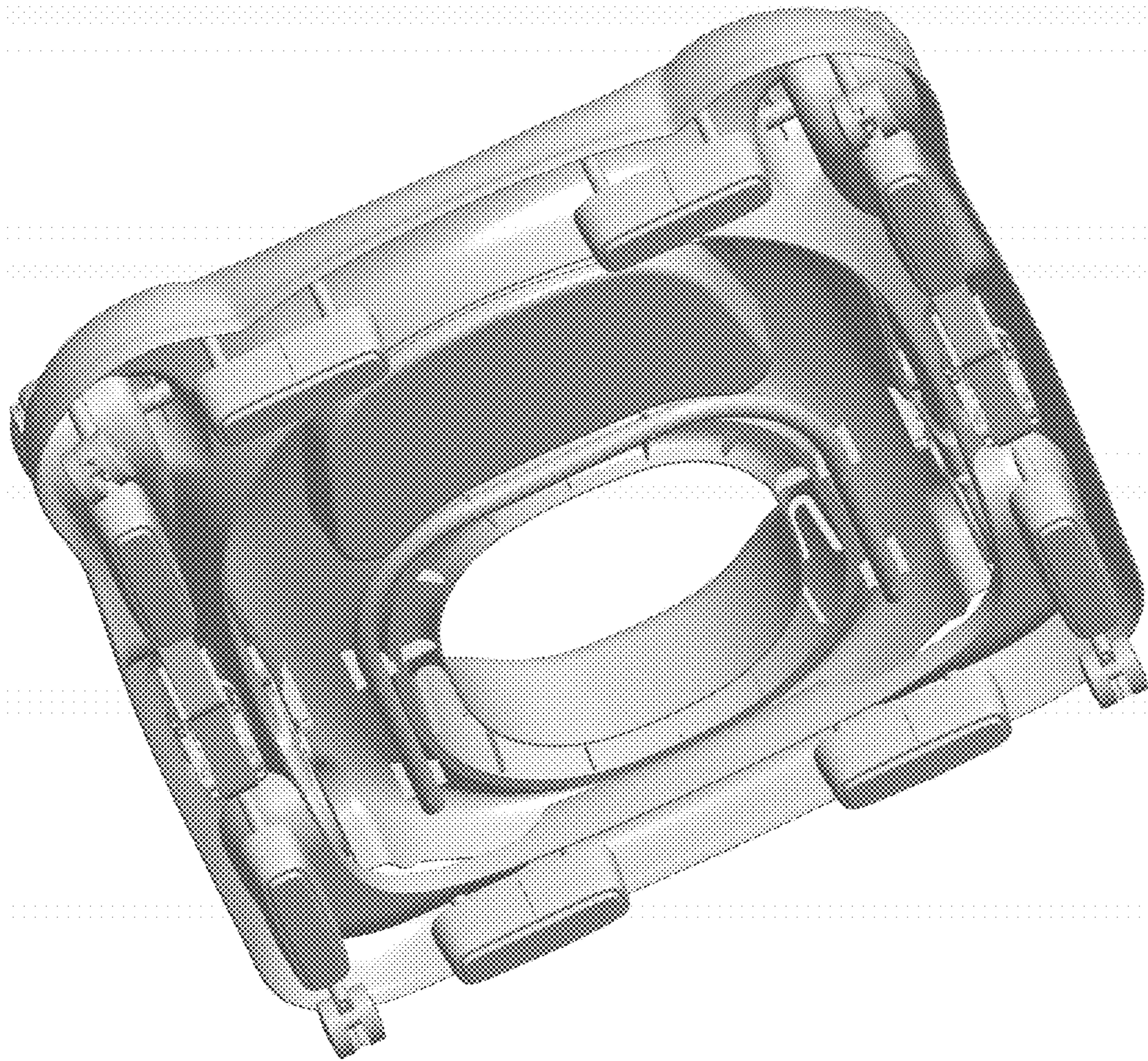


FIG. 10