



US00D702597S

(12) **United States Design Patent**  
**Wada et al.**

(10) **Patent No.:** **US D702,597 S**  
(45) **Date of Patent:** **\*\* Apr. 15, 2014**

(54) **AUTOMOBILE AND/OR REPLICA THEREOF**

(71) Applicant: **Honda Motor Co., Ltd.**, Tokyo (JP)

(72) Inventors: **Riku Wada**, Wako (JP); **Daisuke Toriyama**, Wako (JP)

(73) Assignee: **Honda Motor Co., Ltd.**, Tokyo (JP)

(\*\*) Term: **14 Years**

(21) Appl. No.: **29/437,675**

(22) Filed: **Nov. 20, 2012**

(30) **Foreign Application Priority Data**

May 25, 2012 (JP) ..... 2012-012380

(51) **LOC (10) Cl.** ..... **12-08**

(52) **U.S. Cl.**  
USPC ..... **D12/92**

(58) **Field of Classification Search**  
USPC ..... D12/86, 90-92, 88; D21/424, 433, 434;  
296/181.1, 181.5

See application file for complete search history.

(56) **References Cited**

**U.S. PATENT DOCUMENTS**

D599,706 S \* 9/2009 Tanaka et al. .... D12/92  
D626,457 S \* 11/2010 Lian et al. .... D12/92

D637,521 S \* 5/2011 Kim ..... D12/92  
D637,944 S \* 5/2011 Lee ..... D12/92  
D641,666 S \* 7/2011 Yi ..... D12/92  
D647,823 S \* 11/2011 Okumoto et al. .... D12/92  
D667,756 S \* 9/2012 Asakura et al. .... D12/92  
D691,517 S \* 10/2013 Kwon et al. .... D12/92

\* cited by examiner

*Primary Examiner* — Melody Brown

(74) *Attorney, Agent, or Firm* — Plumsea Law Group, LLC

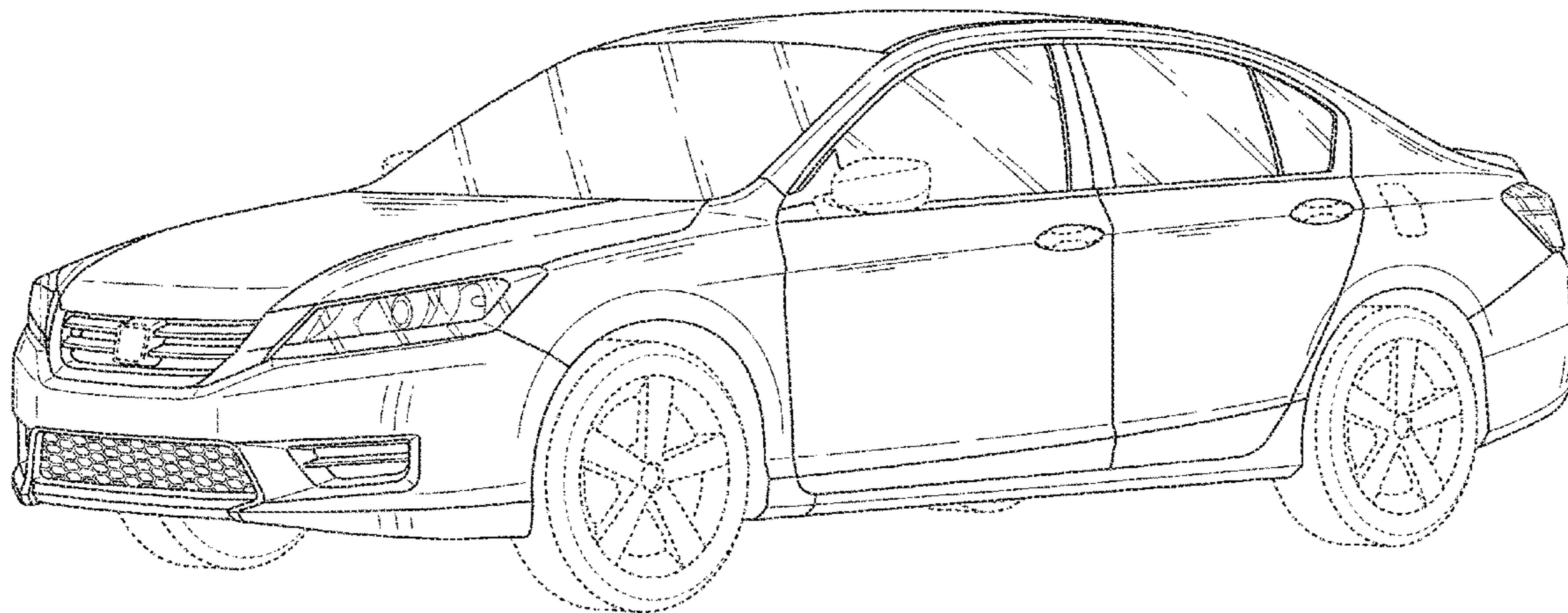
(57) **CLAIM**

The ornamental design for, an automobile and/or replica thereof, as shown and described.

**DESCRIPTION**

FIG. 1 is a front and right side perspective view of an automobile and/or replica thereof, showing our new design; FIG. 2 is a rear and right side perspective view thereof; FIG. 3 is a front elevation view thereof; FIG. 4 is a rear elevation view thereof; FIG. 5 is a top plan view thereof; FIG. 6 is a right side elevation view thereof; and, FIG. 7 is a left side elevation view thereof. The broken lines are for illustrative purposes only and form no part of the claimed design.

**1 Claim, 7 Drawing Sheets**



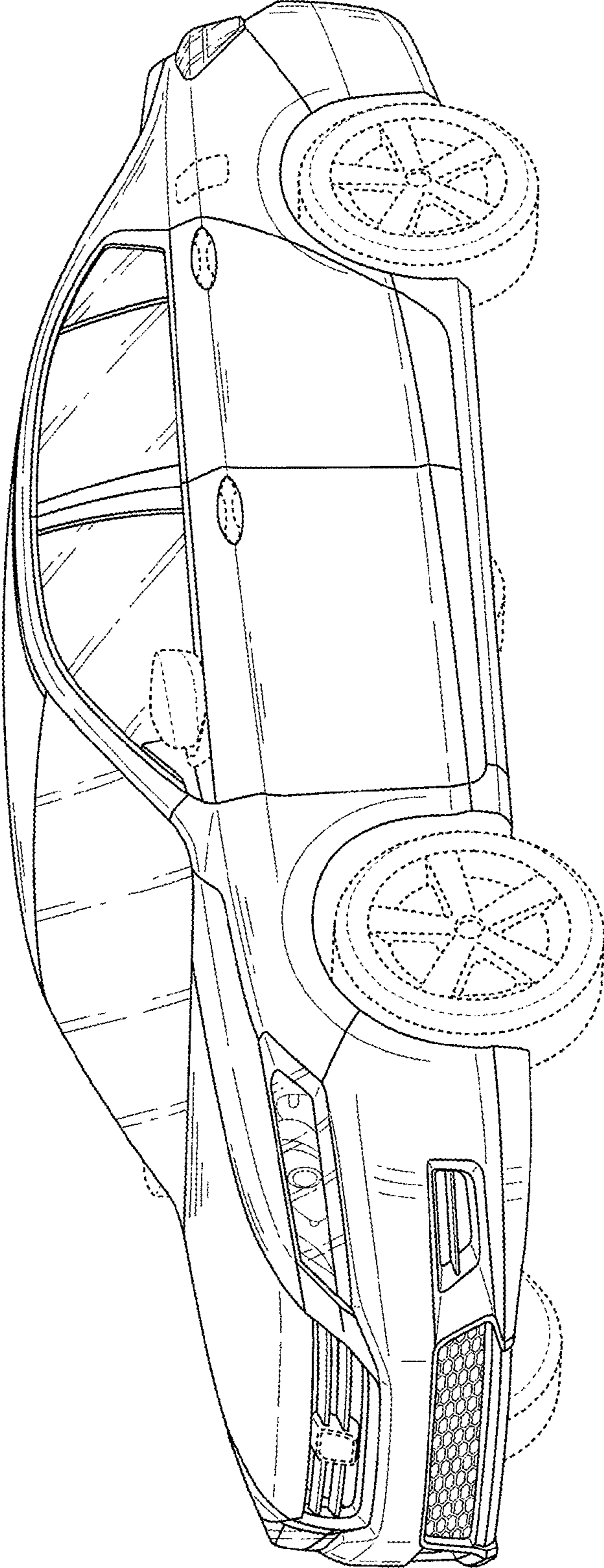


FIG. 1

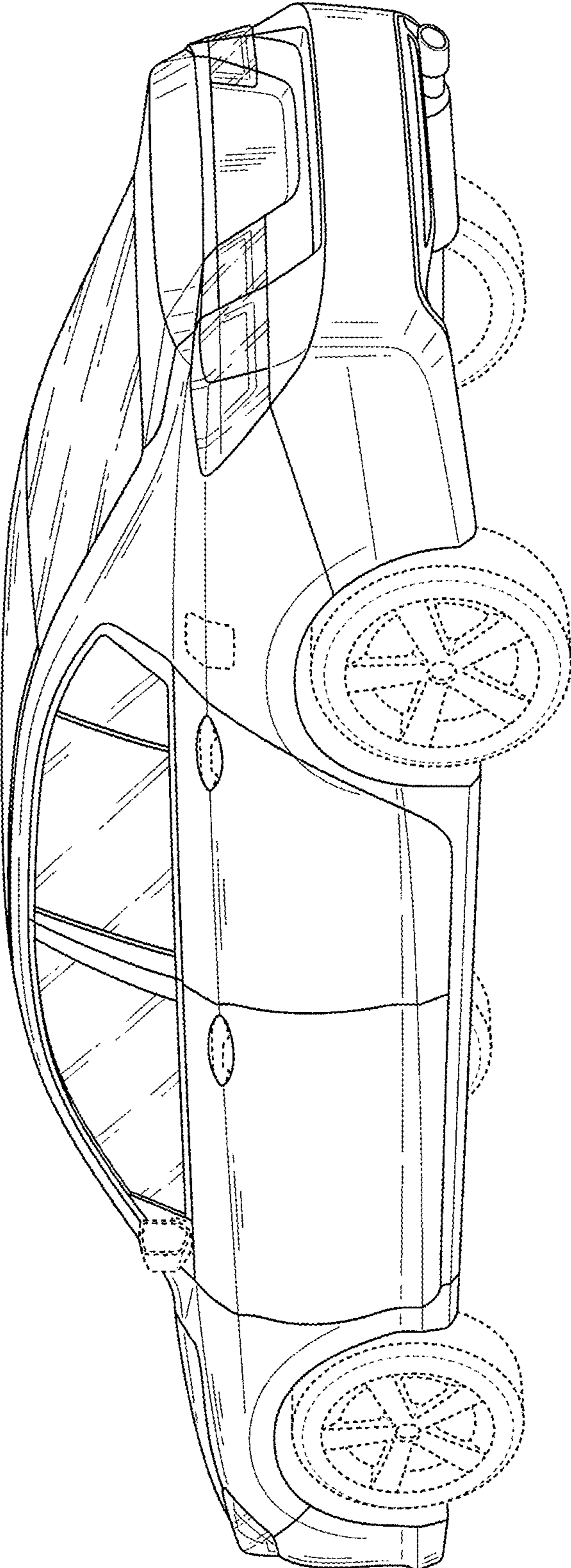


FIG. 2



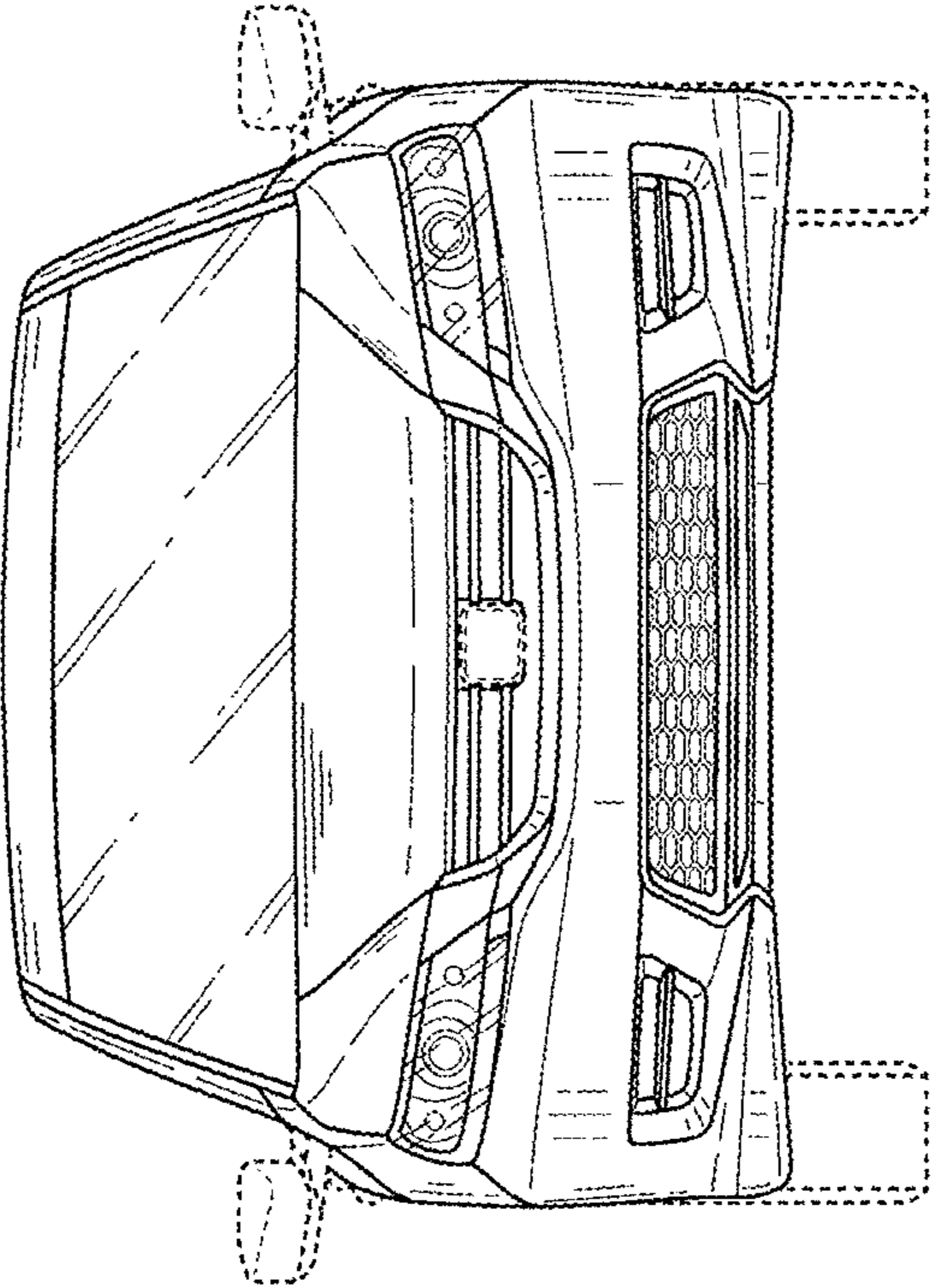


FIG. 3

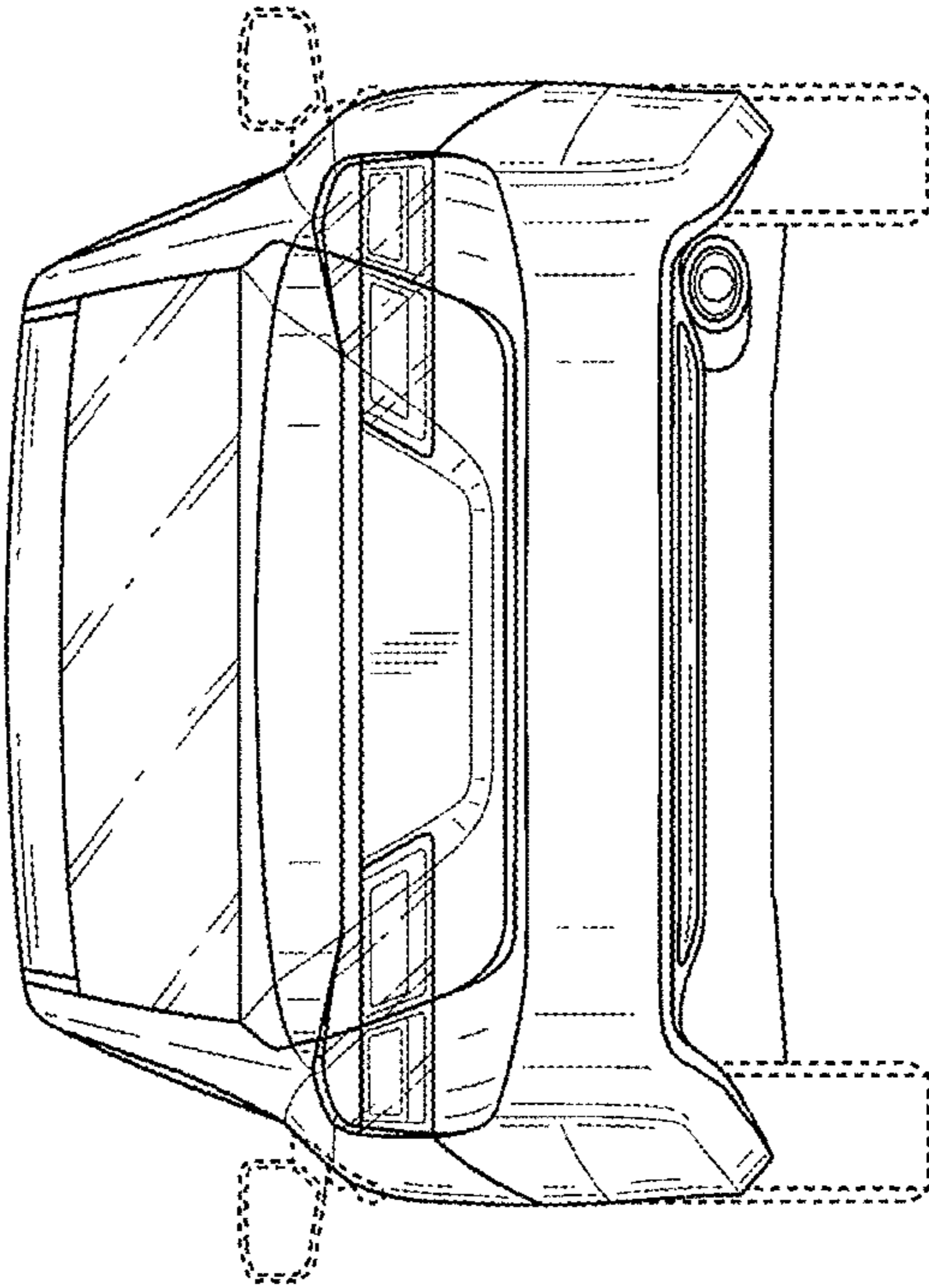
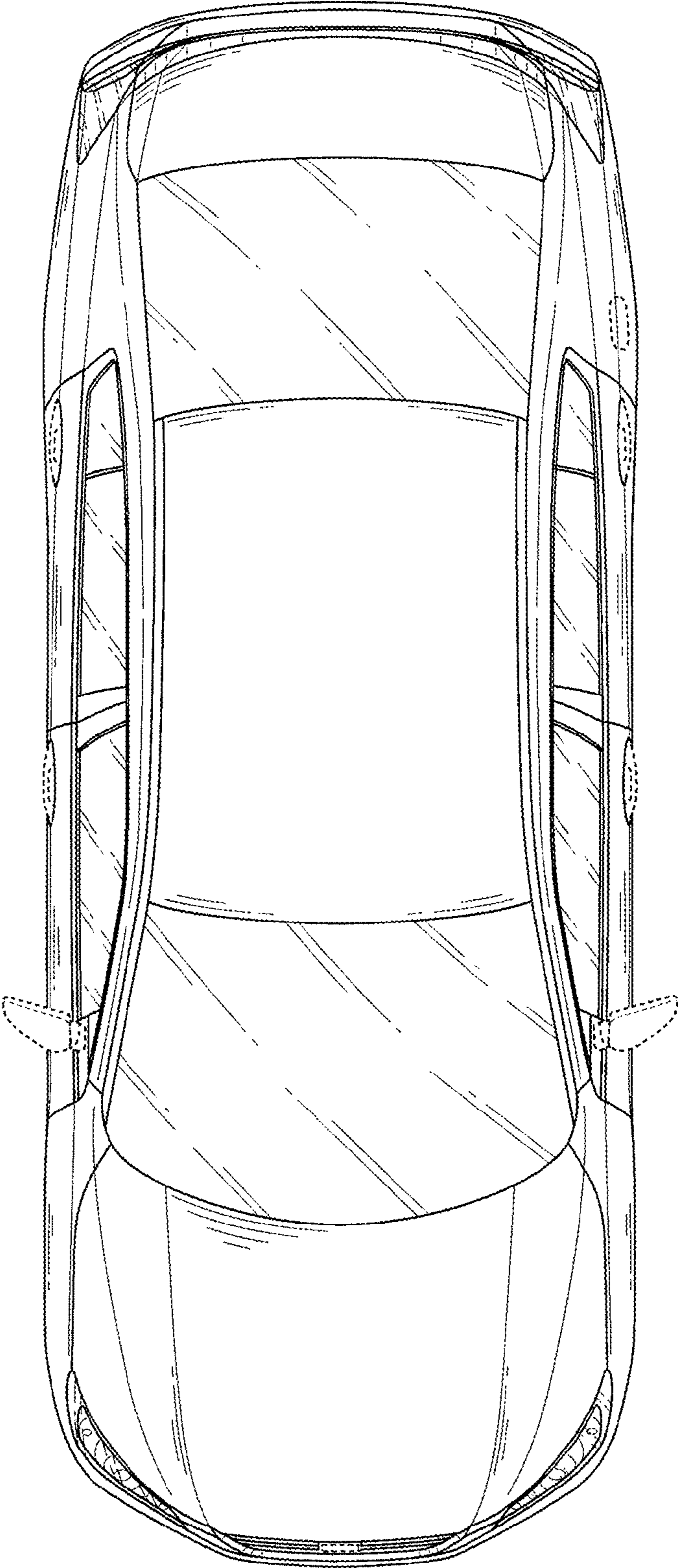


FIG. 4

FIG. 5



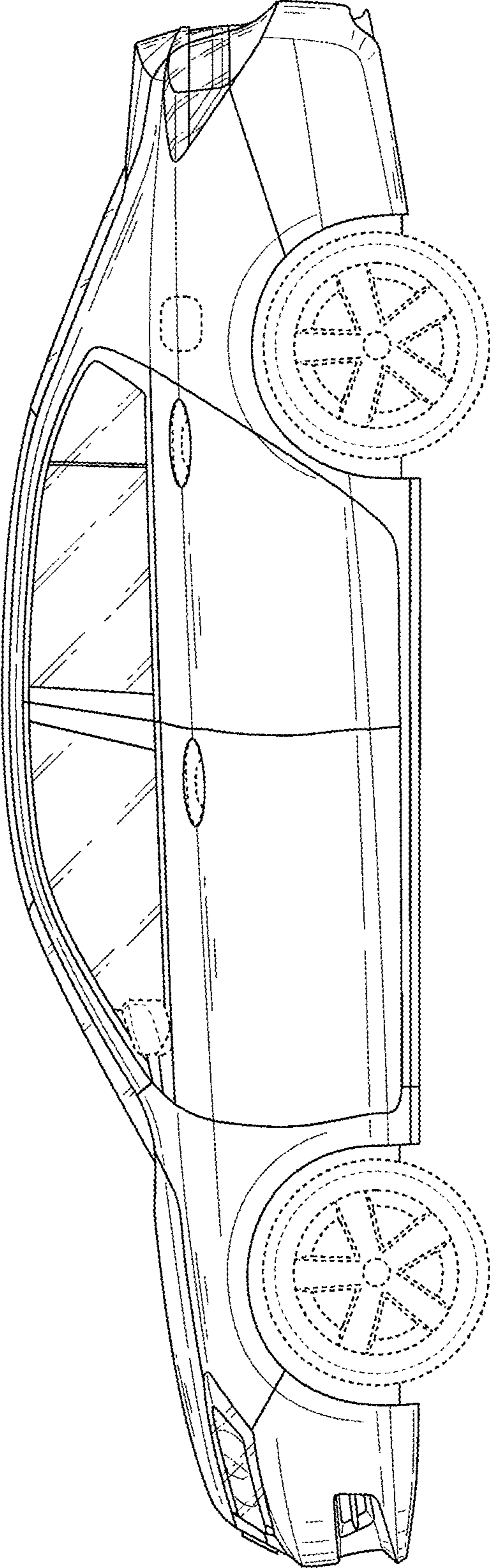


FIG. 6

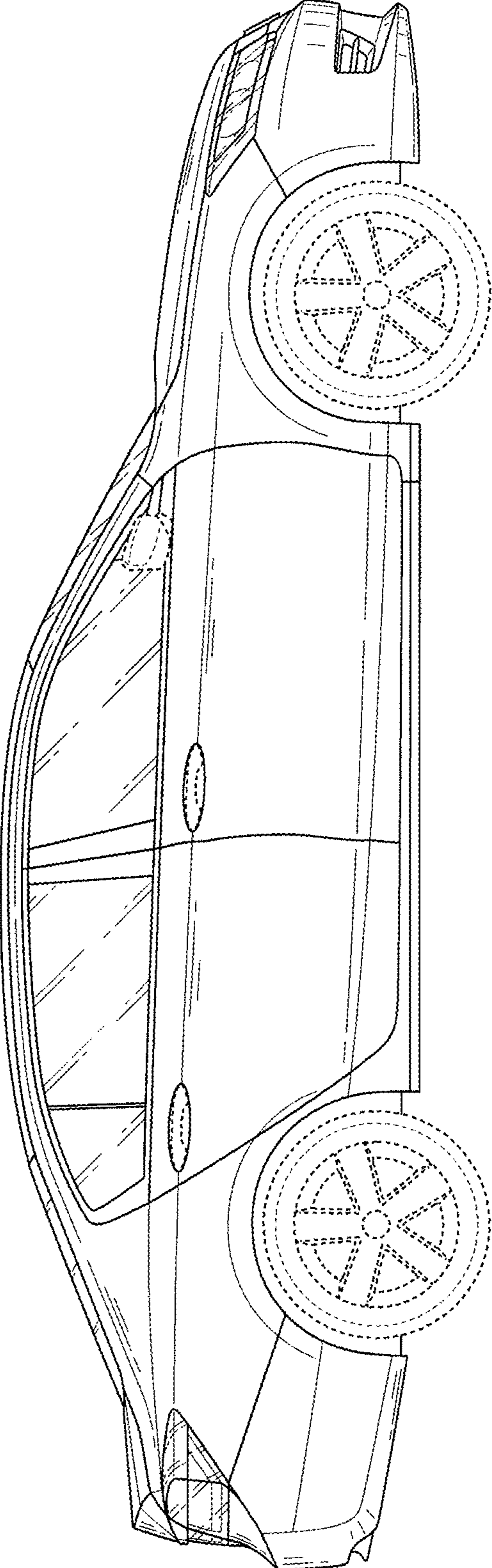


FIG. 7