



US00D702596S

(12) **United States Design Patent**
Ciloglu

(10) **Patent No.:** **US D702,596 S**

(45) **Date of Patent:** **** Apr. 15, 2014**

(54) **THIRD RAIL BRACKET**

(75) Inventor: **Korhan Ciloglu**, Pittsburgh, PA (US)

(73) Assignee: **L. B. Foster Company**, Pittsburgh, PA (US)

(**) Term: **14 Years**

(21) Appl. No.: **29/410,942**

(22) Filed: **Jan. 13, 2012**

(51) **LOC (10) Cl.** **12-03**

(52) **U.S. Cl.**
USPC **D12/51**

(58) **Field of Classification Search**
USPC D12/51, 50, 49; D8/349, 354, 363, 364,
D8/380; 191/29 R, 30, 32, 31, 22 R, 25, 26
See application file for complete search history.

(56) **References Cited**

U.S. PATENT DOCUMENTS

806,152	A *	12/1905	Kober et al.	191/30
908,136	A *	12/1908	Randolph	191/32
1,383,236	A *	6/1921	Rice	191/32
D211,606	S *	7/1968	Harmsen	D12/51
3,575,576	A *	4/1971	Harmsen	191/32
3,614,340	A *	10/1971	Harmsen	191/32
3,735,845	A *	5/1973	Harmsen	191/32
3,927,742	A *	12/1975	Reynolds et al.	191/30
4,318,462	A *	3/1982	Weinhaus	191/30
D352,015	S *	11/1994	Esworthy	D12/51

D456,744	S *	5/2002	Shavel et al.	D12/51
7,926,634	B1 *	4/2011	Morales	191/29 R
D658,484	S *	5/2012	Wall	D8/354
D658,485	S *	5/2012	Wall	D8/354

* cited by examiner

Primary Examiner — Mark Goodwin

(74) *Attorney, Agent, or Firm* — Paul D. Bangor, Jr.; Clark Hill Thorp Reed

(57) **CLAIM**

The ornamental design for a third rail bracket, as shown and described.

DESCRIPTION

FIG. 1 is a top view of a third rail bracket of the present invention.

FIG. 2 is a rear view of the third rail bracket of FIG. 1.

FIG. 3 is a left elevational view of the third rail bracket of FIG. 1.

FIG. 4 is a front view of the third rail bracket of FIG. 1.

FIG. 5 is a bottom view of the third rail bracket of FIG. 1.

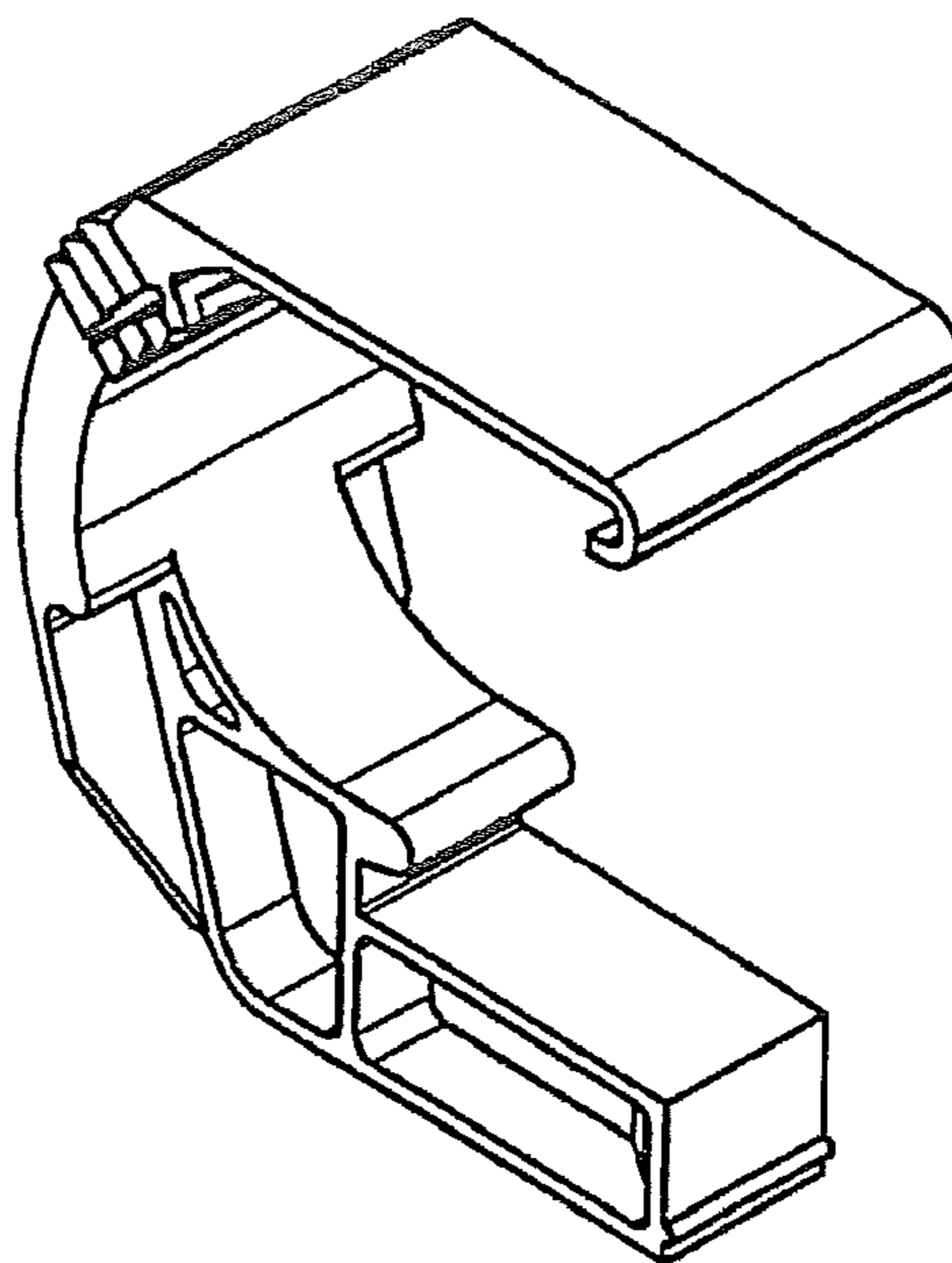
FIG. 6 is a front perspective view of the third rail bracket of FIG. 1.

FIG. 7 is a rear perspective view of the third rail bracket of FIG. 1.

FIG. 8 is a bottom perspective view of the third rail bracket of FIG. 1; and,

FIG. 9 is a right elevational view of the third rail bracket of FIG. 1.

1 Claim, 2 Drawing Sheets



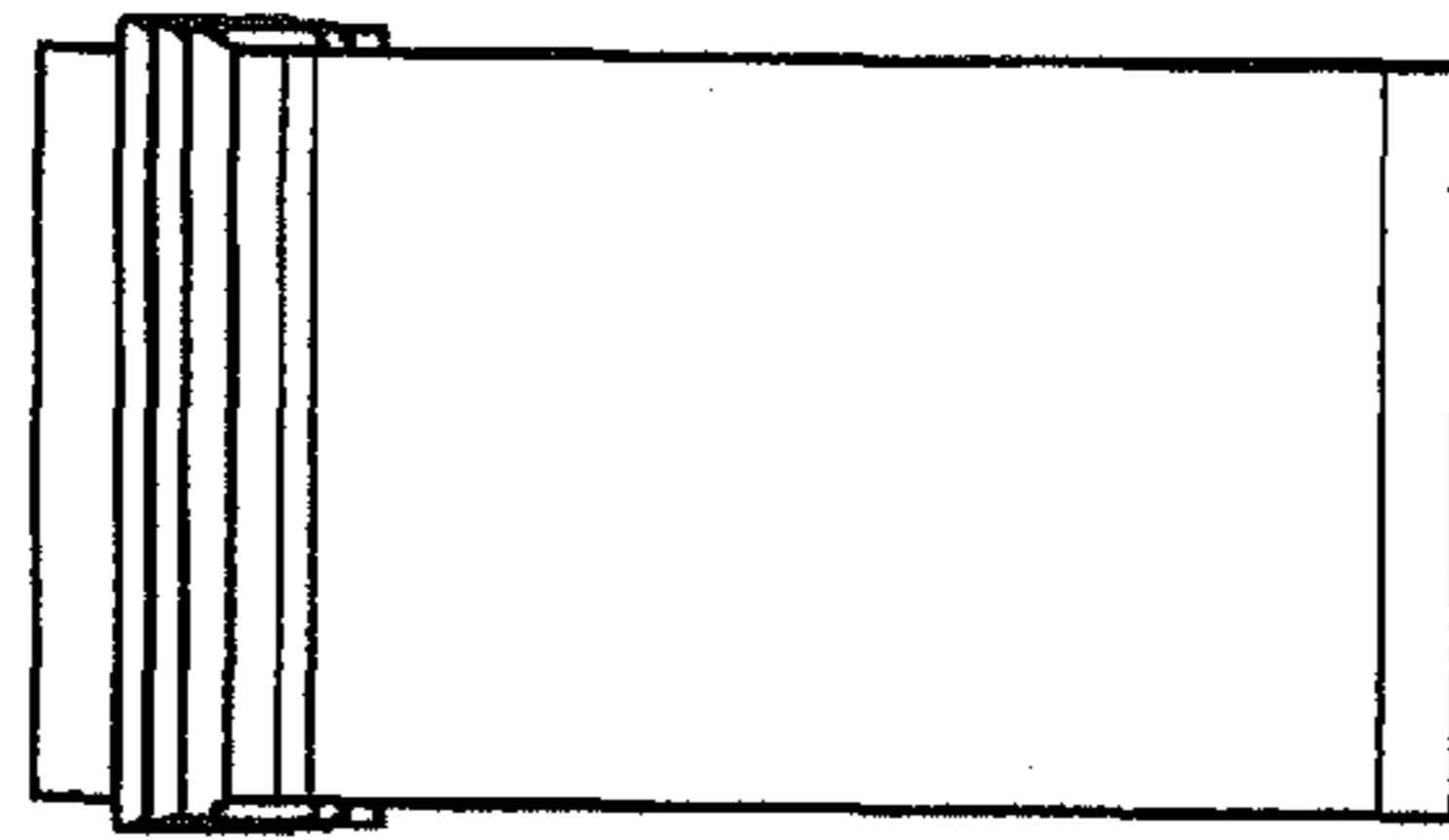


Fig. 1

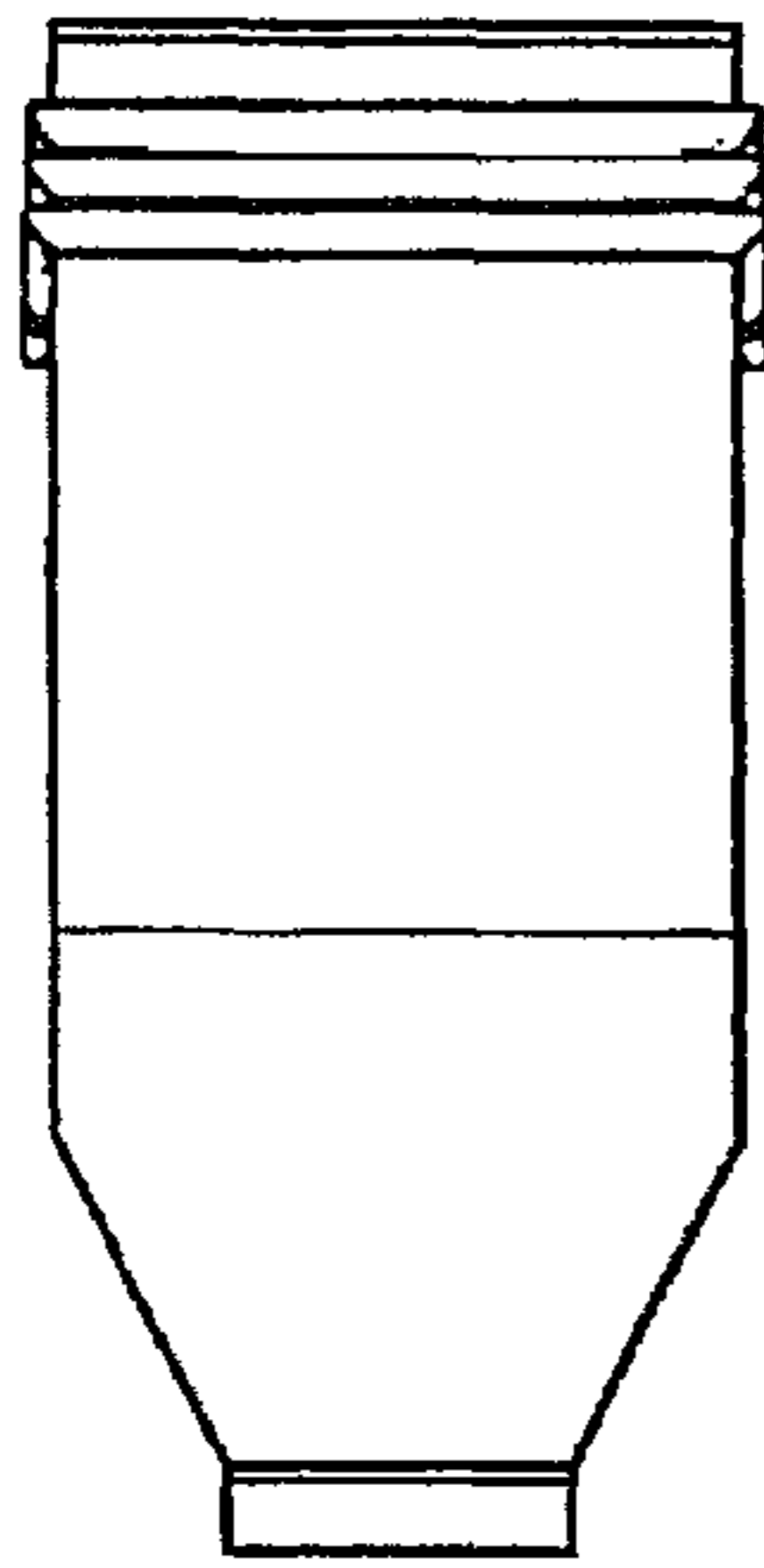


Fig. 2

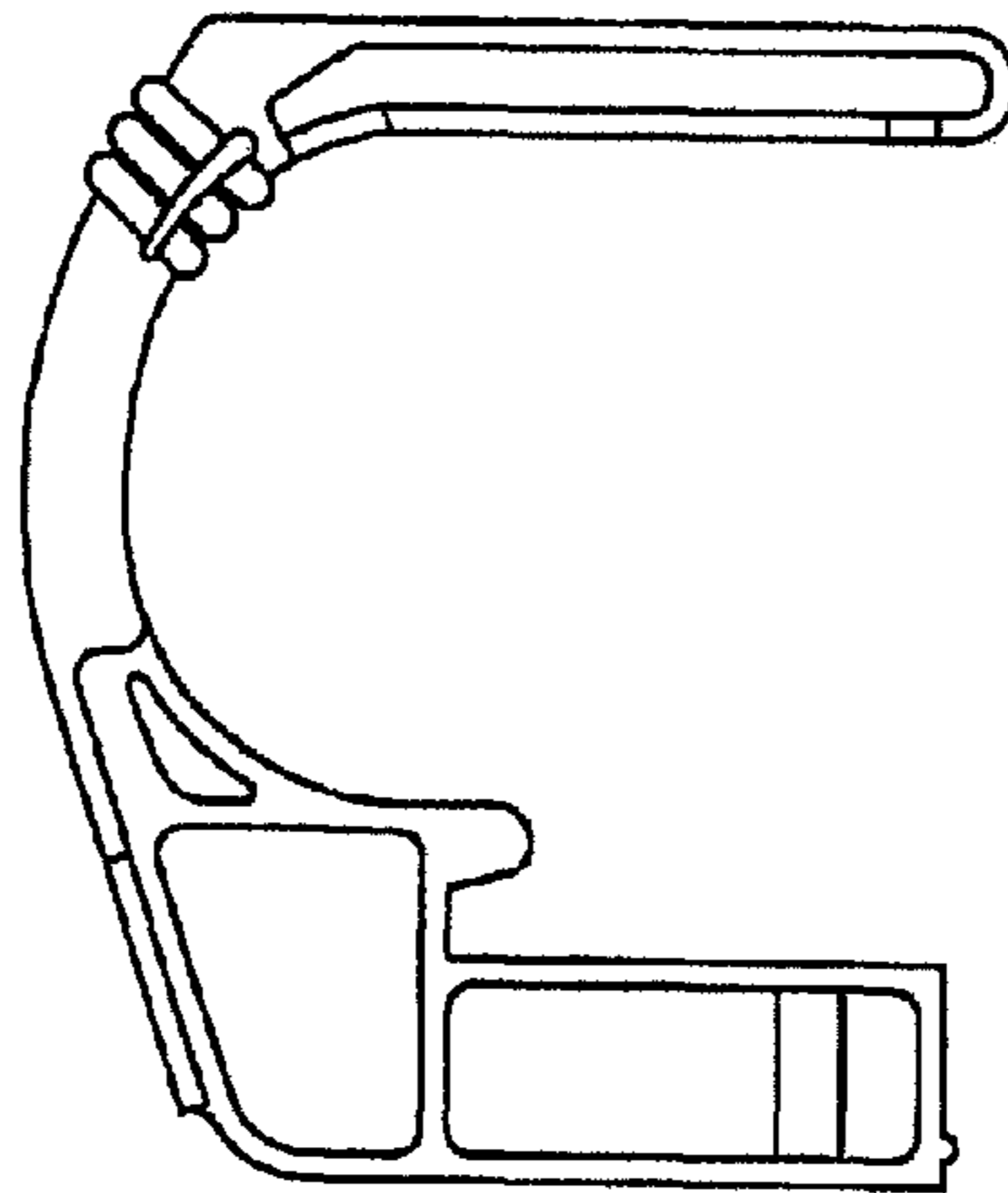


Fig. 3

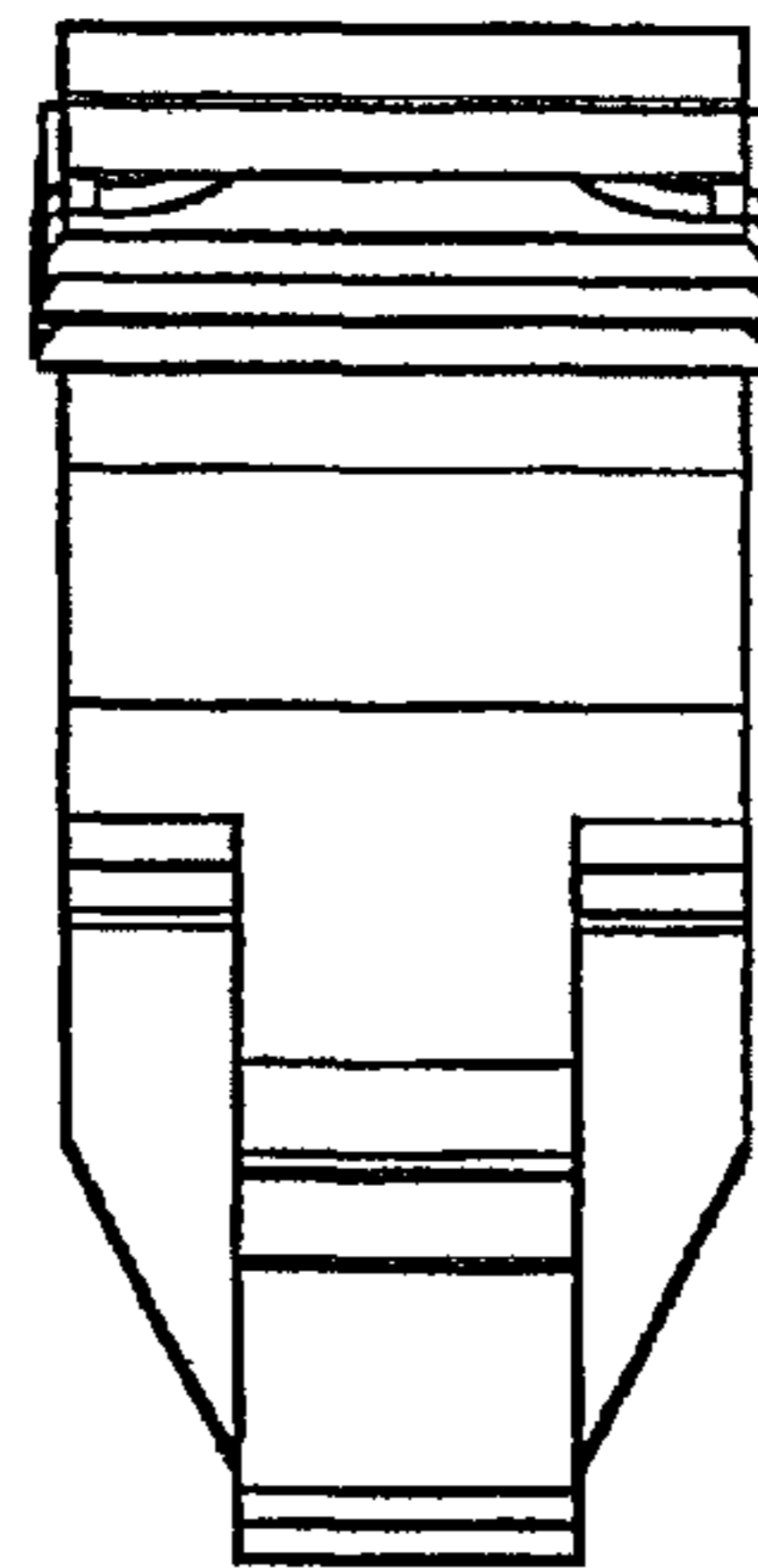


Fig. 4

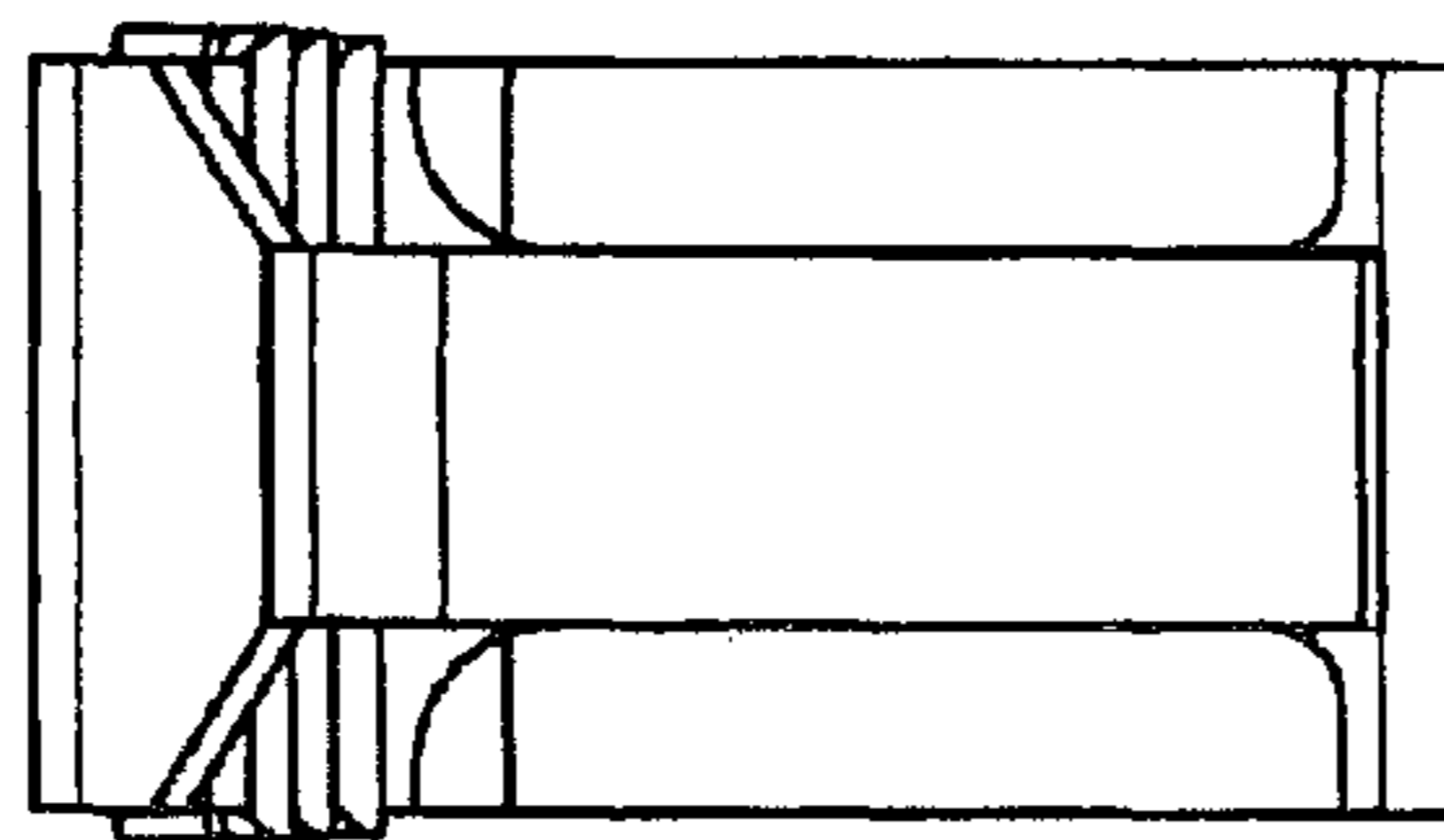


Fig. 5

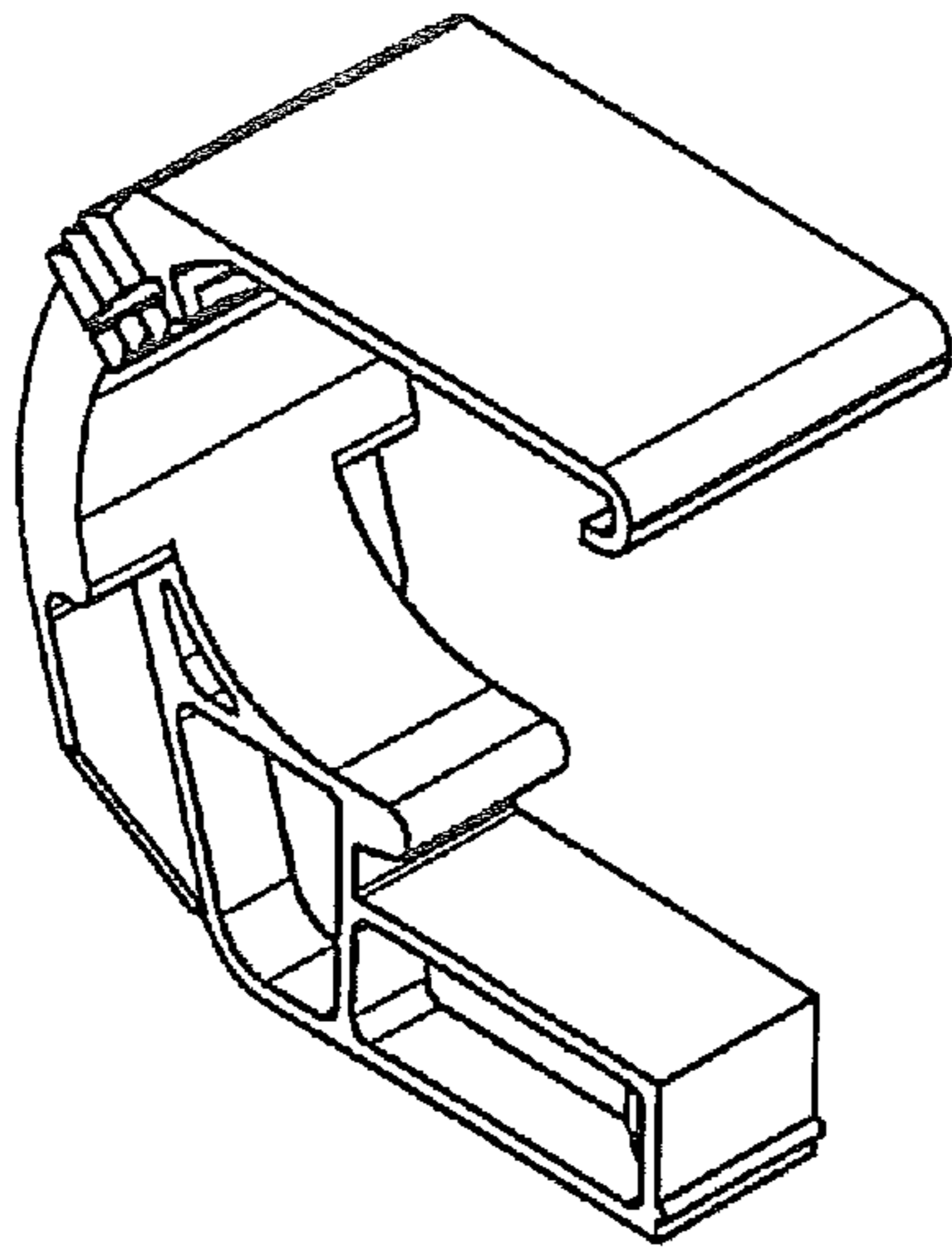


Fig. 6

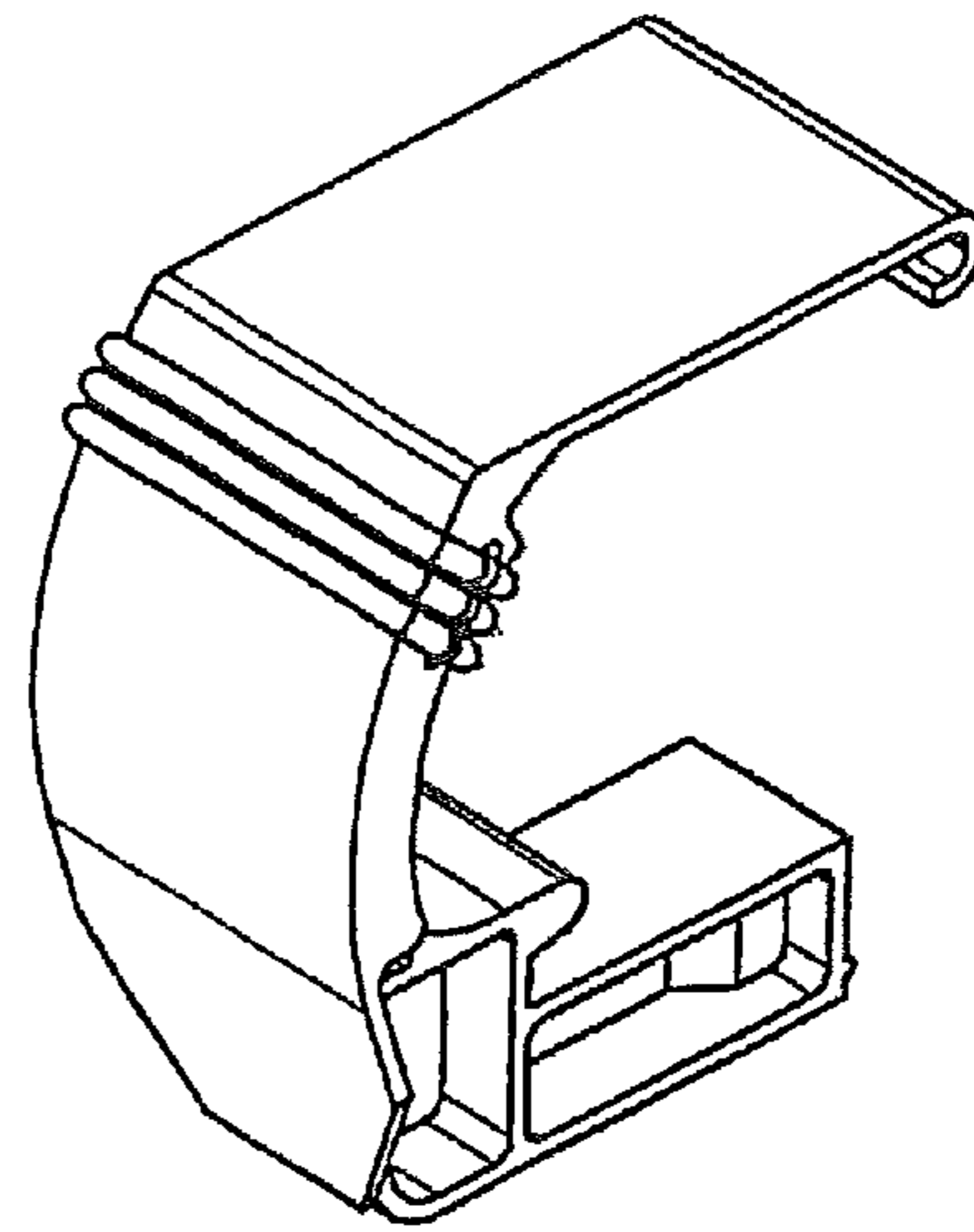


Fig. 7

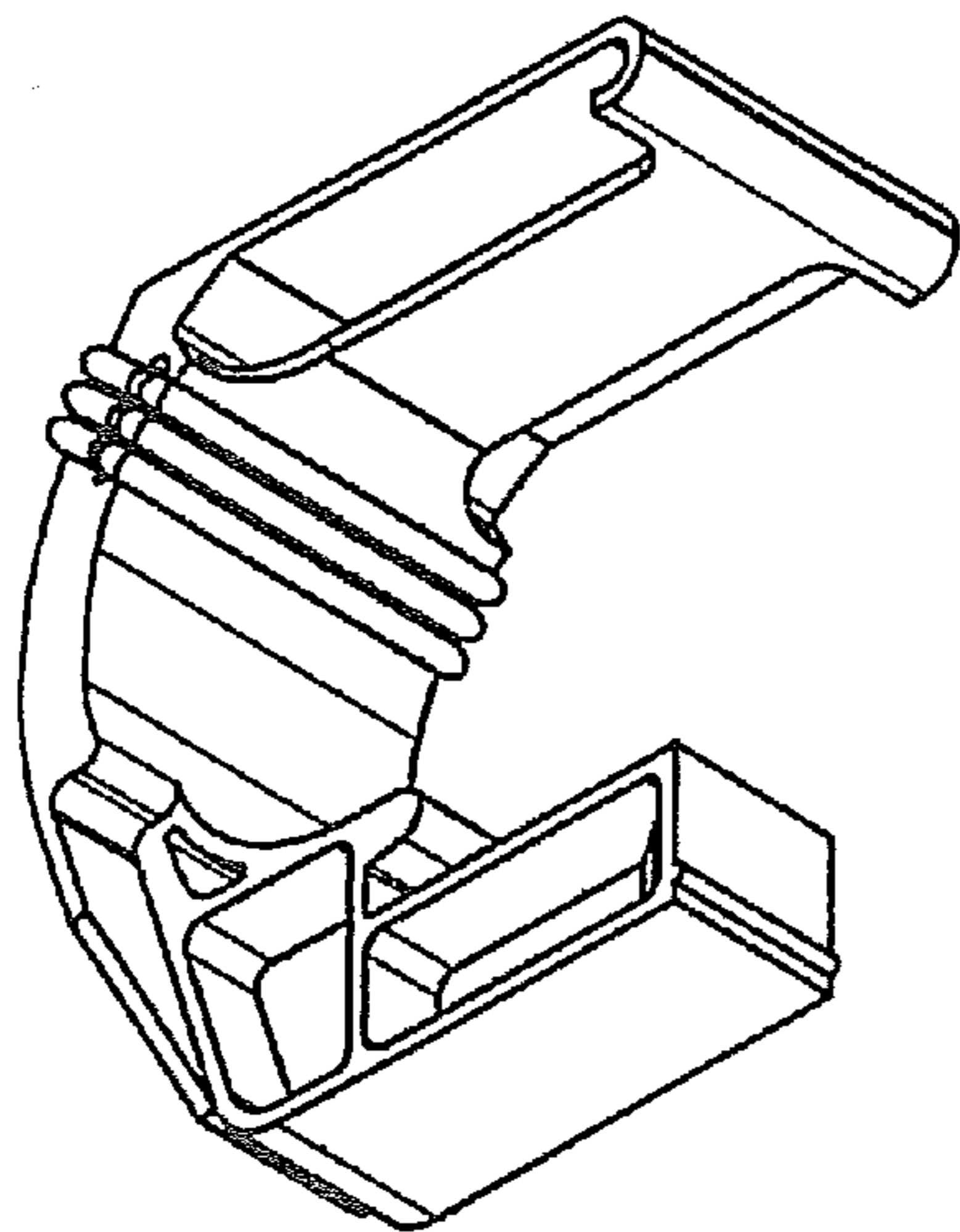


Fig. 8

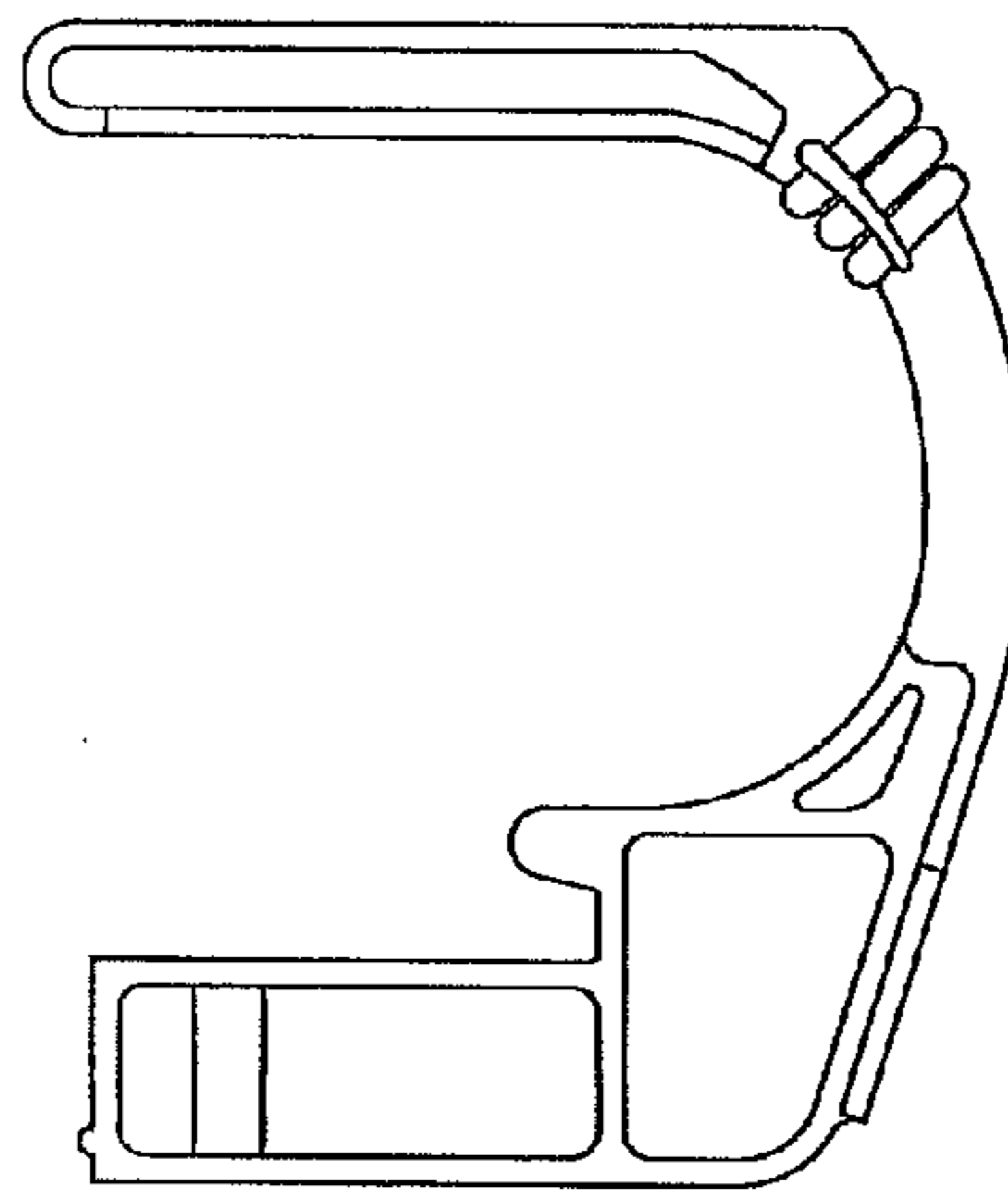


Fig. 9