



US00D702593S

(12) **United States Design Patent**
Koreishi

(10) **Patent No.:** **US D702,593 S**

(45) **Date of Patent:** **** Apr. 15, 2014**

(54) **BUCKLE**

(71) Applicant: **Nifco Inc.**, Yokohama (JP)

(72) Inventor: **Namiko Koreishi**, Yokohama (JP)

(73) Assignee: **Nifco Inc.**, Yokohama-shi (JP)

(**) Term: **14 Years**

(21) Appl. No.: **29/442,444**

(22) Filed: **Mar. 4, 2013**

(30) **Foreign Application Priority Data**

Sep. 3, 2012 (JP) 2012-021182

(51) **LOC (10) Cl.** **02-07**

(52) **U.S. Cl.**
USPC **D11/216**

(58) **Field of Classification Search**
USPC D11/1, 2, 200-219, 222-237; 24/163 R,
24/169-171, 173, 177-179, 191, 194-195,
24/197, 200, 614-616, 625
See application file for complete search history.

(56) **References Cited**

U.S. PATENT DOCUMENTS

5,855,057 A *	1/1999	Anscher	24/614
D426,791 S *	6/2000	Nezu	D11/218
D493,385 S *	7/2004	Uehara et al.	D11/216
D523,375 S *	6/2006	Nezu	D11/216
D617,679 S *	6/2010	Wang et al.	D11/216

* cited by examiner

Primary Examiner — Ralf Seifert

(74) *Attorney, Agent, or Firm* — Manabu Kanesaka

(57) **CLAIM**

The ornamental design for a buckle, as shown and described.

DESCRIPTION

FIG. 1 is a first perspective view of a buckle showing my new design;
 FIG. 2 is a second perspective view thereof;
 FIG. 3 is a front view thereof;
 FIG. 4 is a rear view thereof;
 FIG. 5 is a left side view thereof, a right side view being symmetrical to the left side view;
 FIG. 6 is a plan view thereof;
 FIG. 7 is a bottom view thereof;
 FIG. 8 is a first perspective view of a male body of the buckle;
 FIG. 9 is a second perspective view thereof;
 FIG. 10 is a front view thereof;
 FIG. 11 is a first perspective view of a female body of the buckle;
 FIG. 12 is a second perspective view thereof;
 FIG. 13 is a front view thereof;
 FIG. 14 is a right side view thereof; a left side view being symmetrical to the right side view;
 FIG. 15 is a cross-sectional view of the male body along the line 15-15 in FIG. 10;
 FIG. 16 is a cross-sectional view of the female body along the line 16-16 in FIG. 13; and,
 FIG. 17 is a cross-sectional view thereof along the line 17-17 in FIG. 14.
 Outer thick lines indicate outer shapes of the buckle, and inner thin lines indicate inner contour of the buckle for illustration purpose.

1 Claim, 11 Drawing Sheets

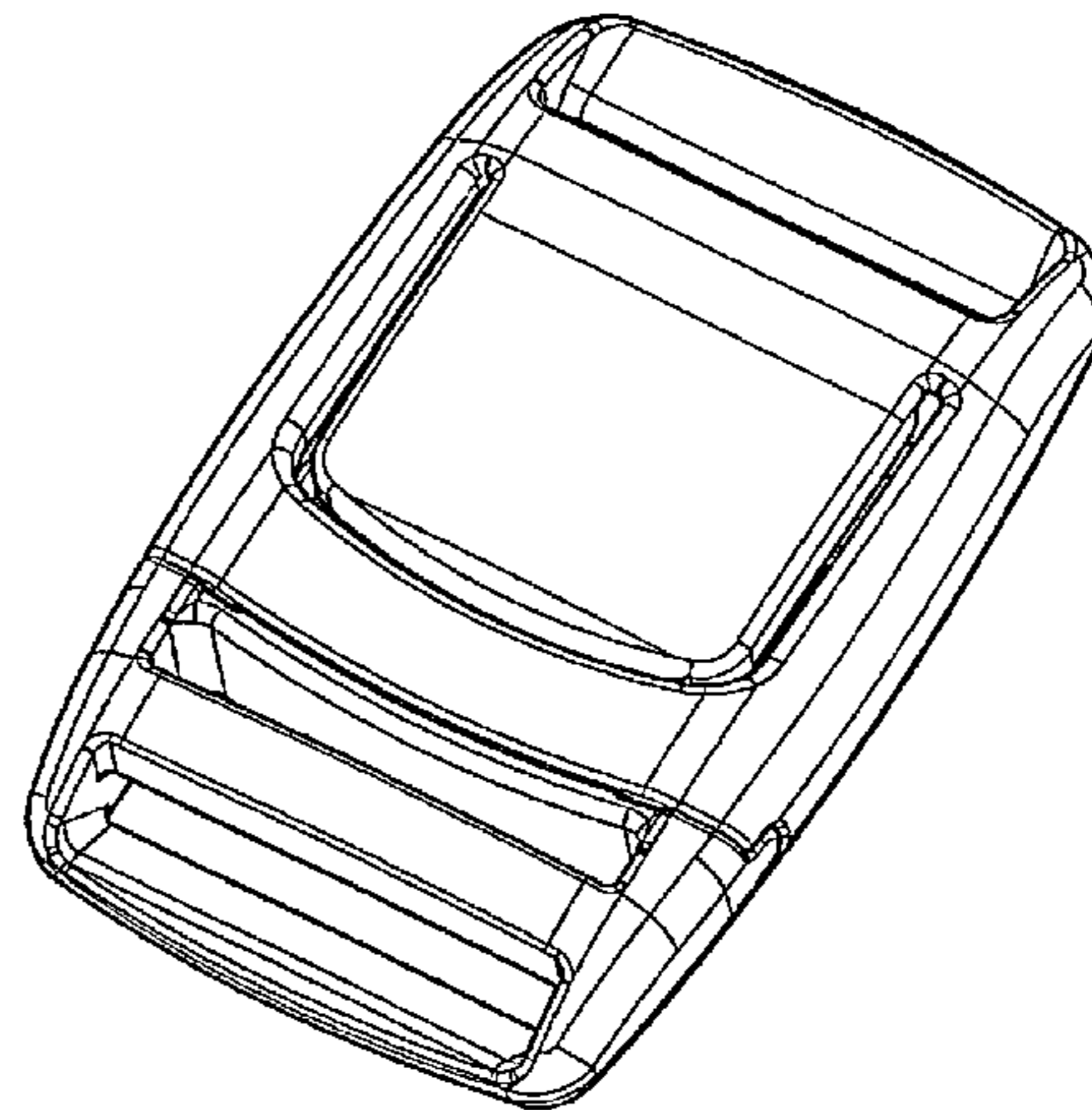
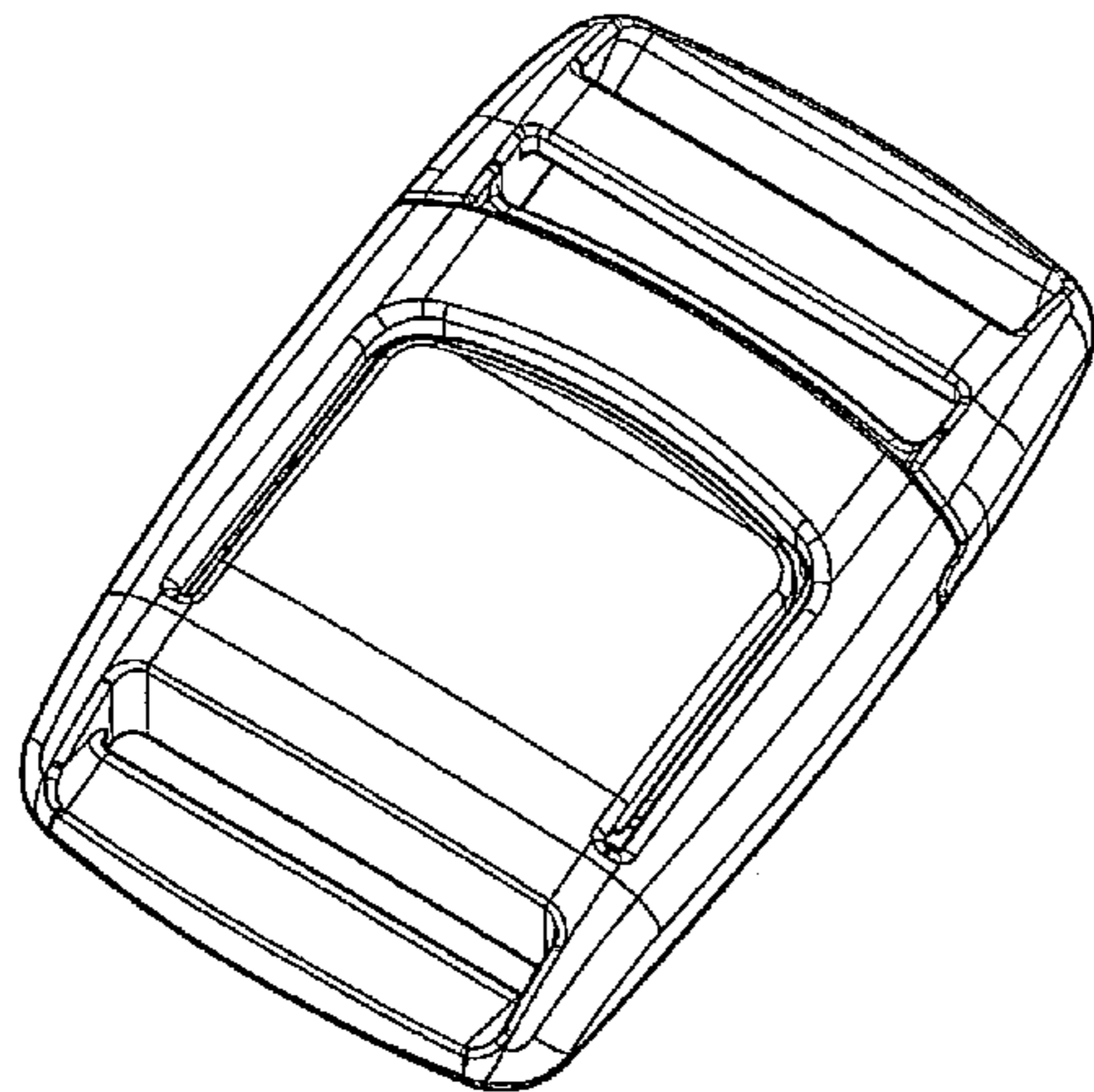


FIG. 1

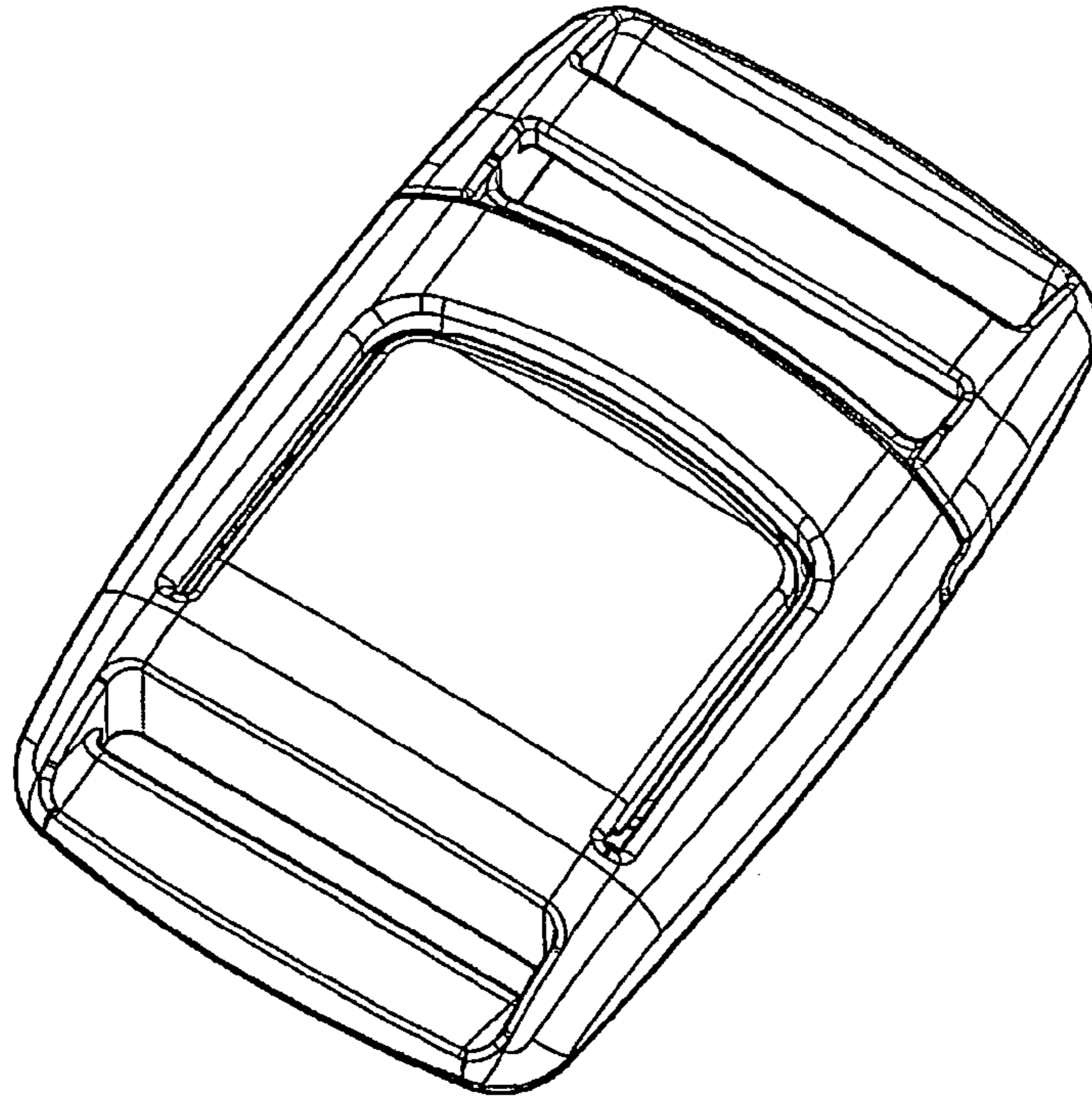


FIG. 2

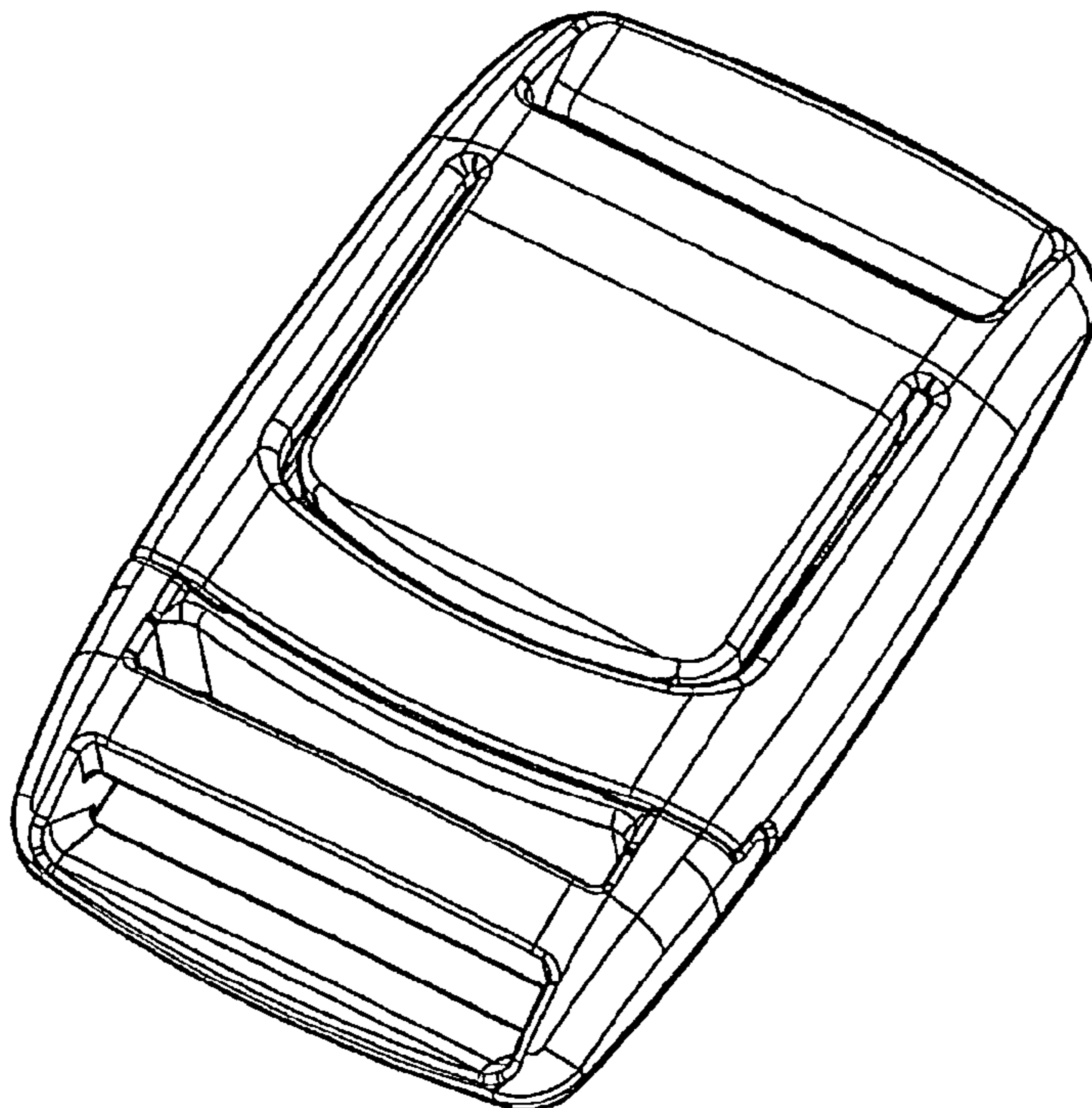


FIG. 3

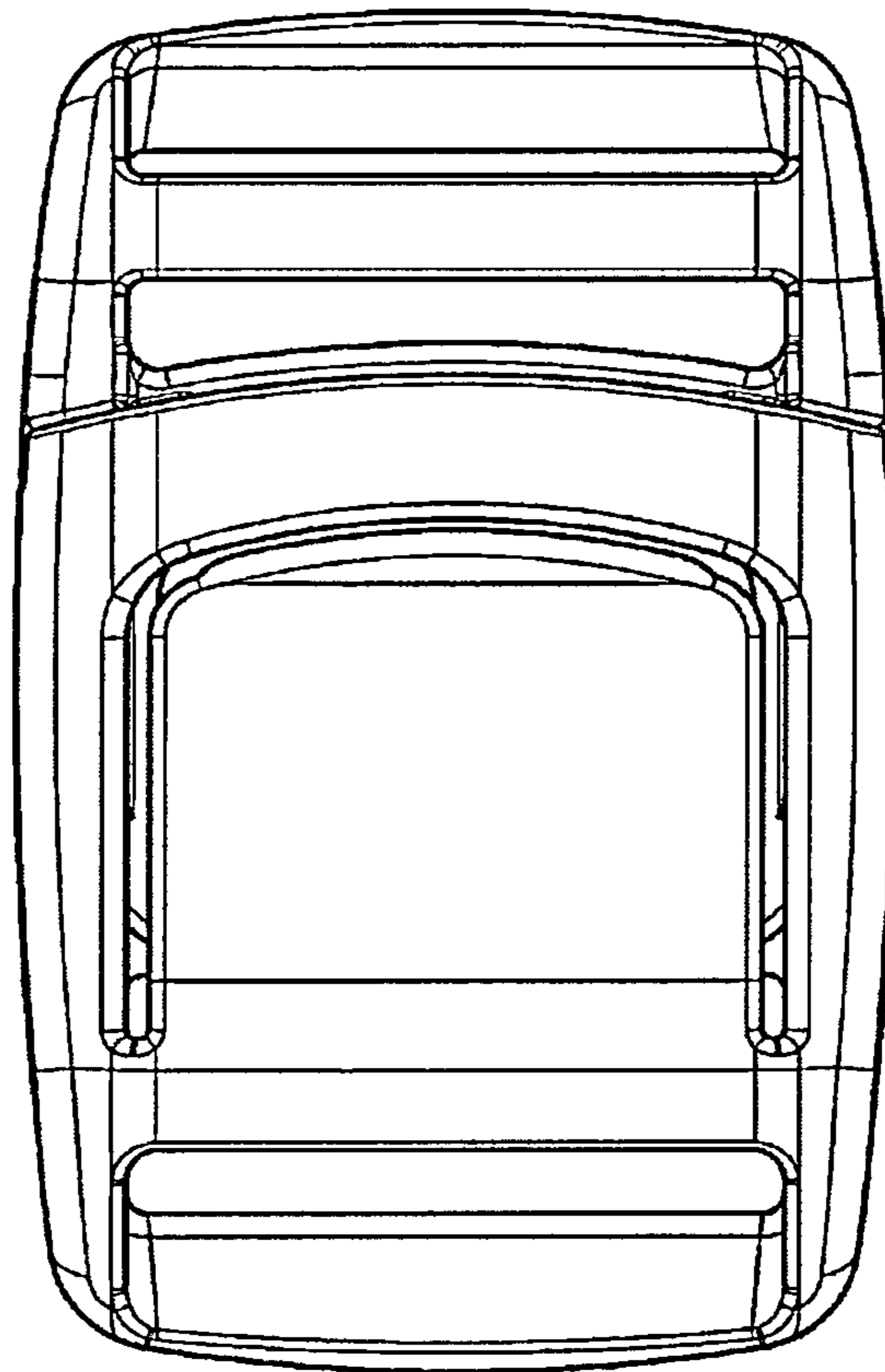


FIG. 4

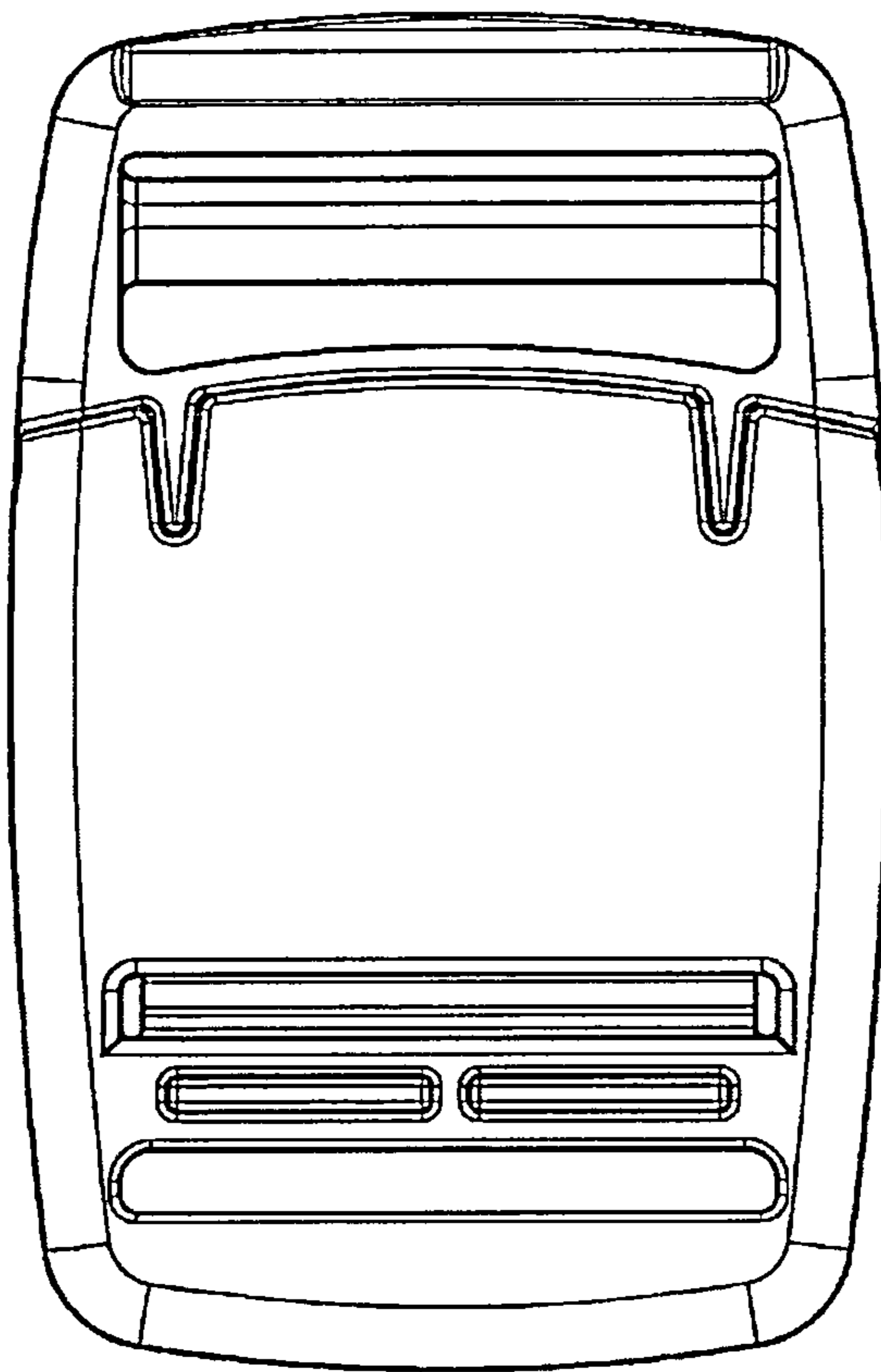


FIG. 5

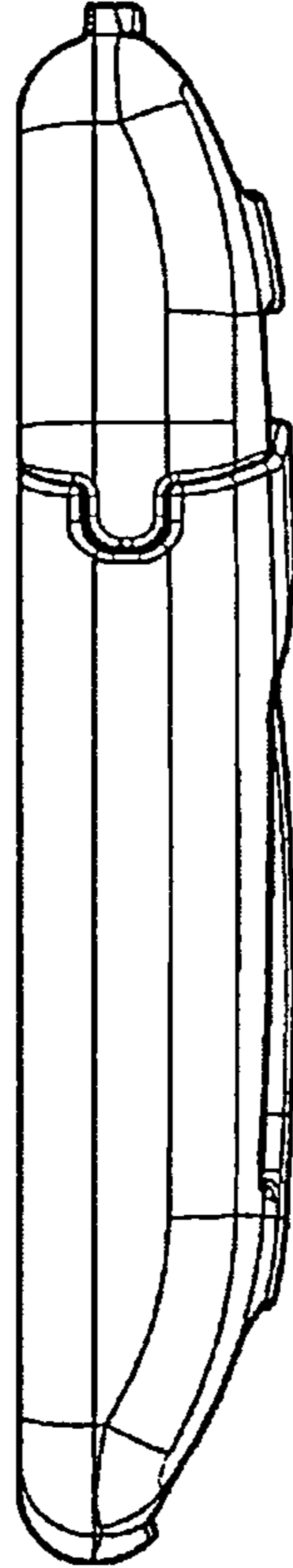


FIG. 6

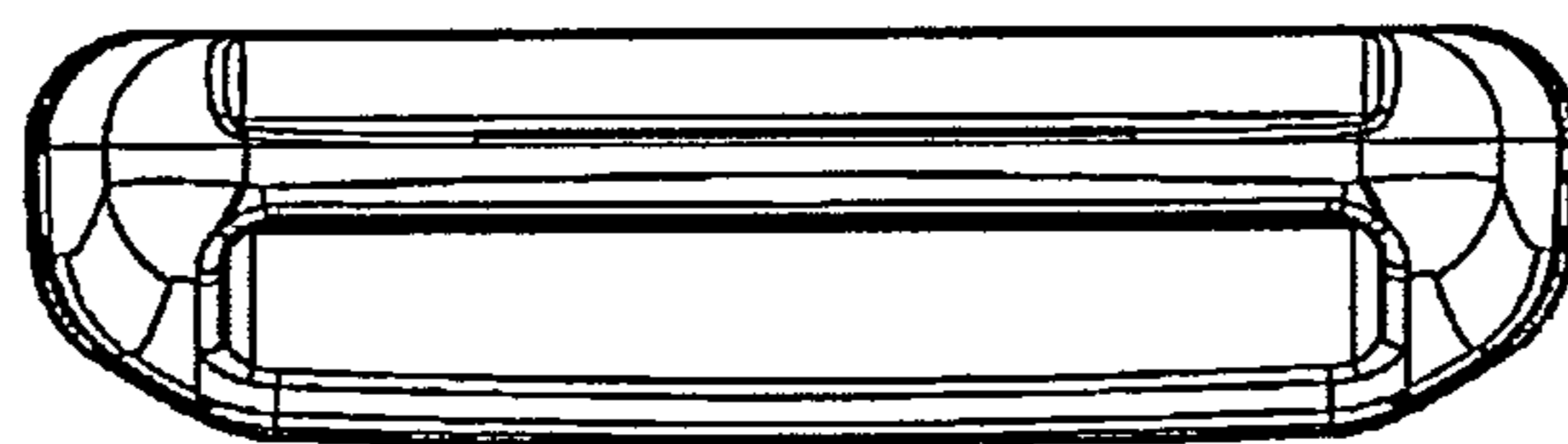


FIG. 7

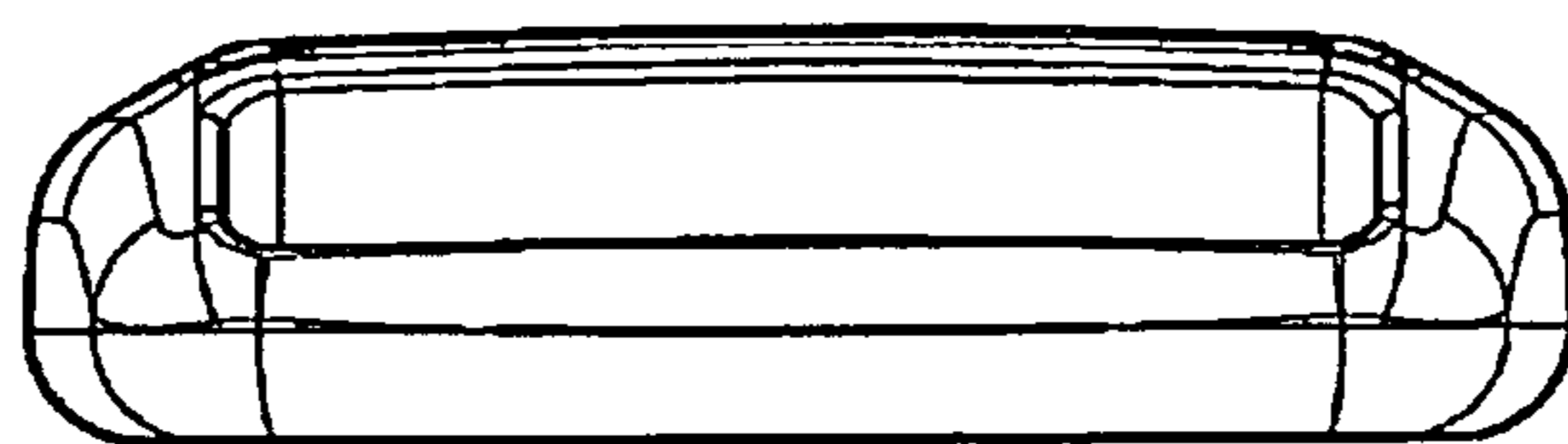


FIG. 8



FIG. 9

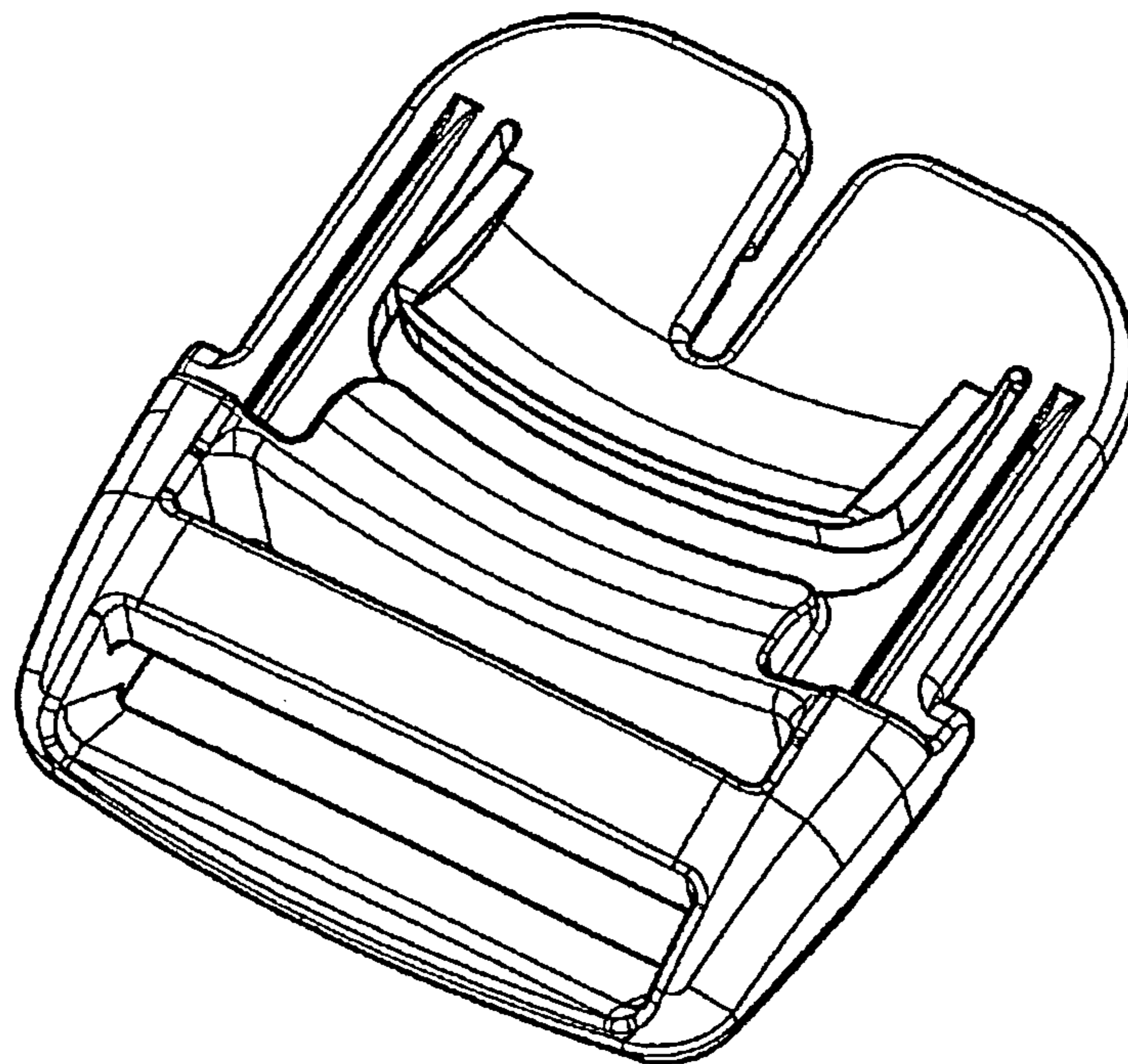


FIG. 10

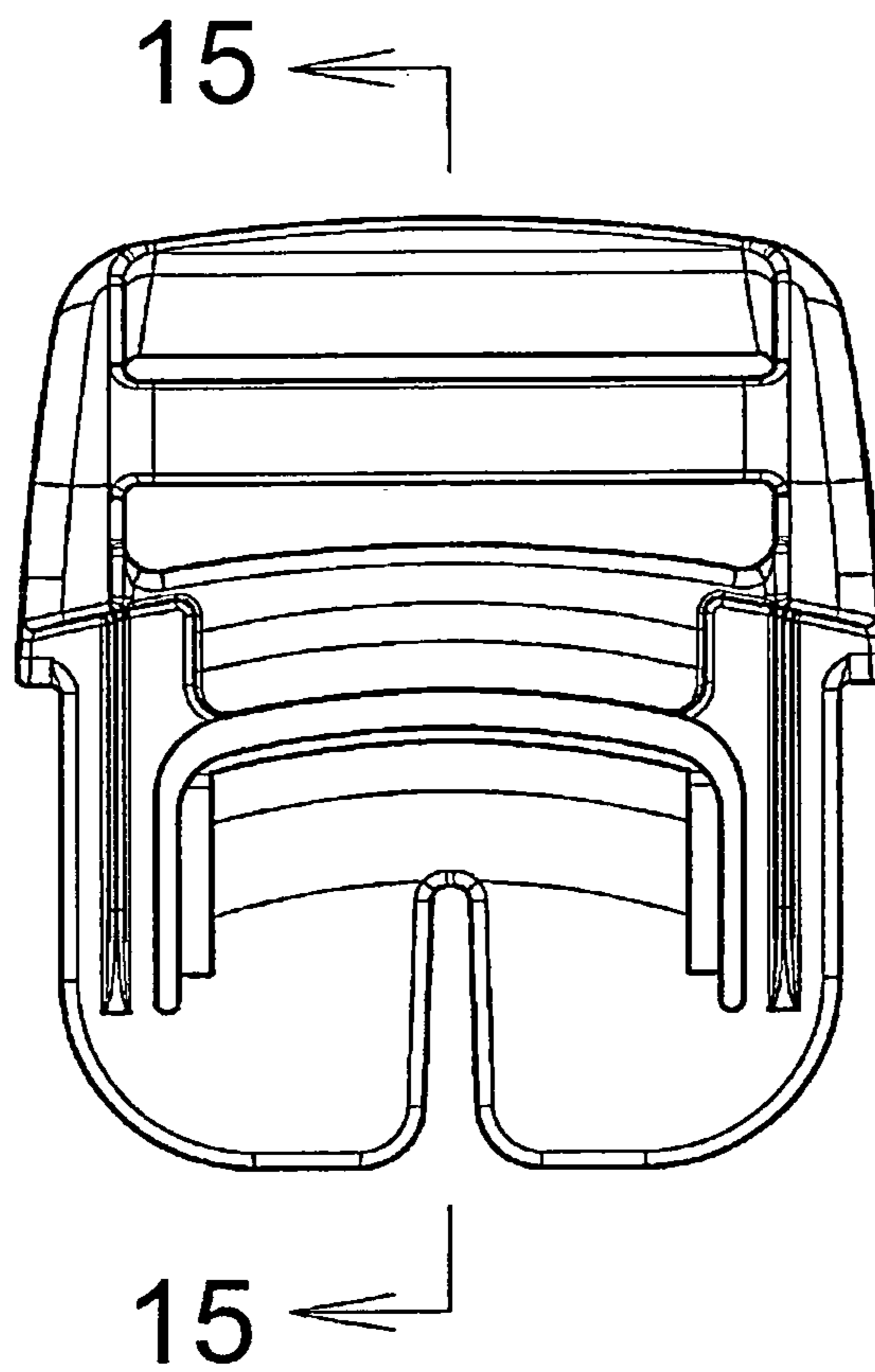


FIG. 11

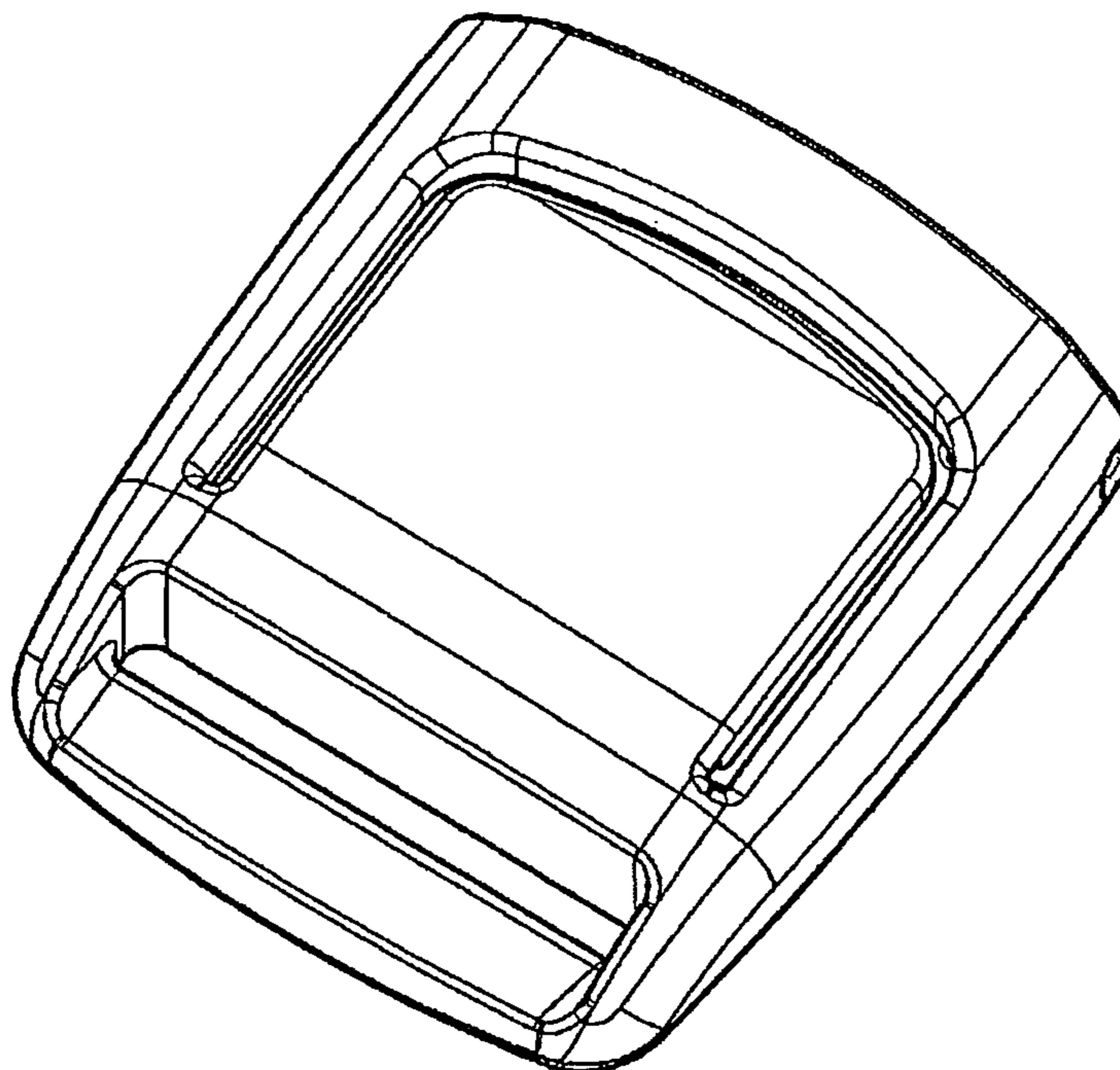


FIG. 12

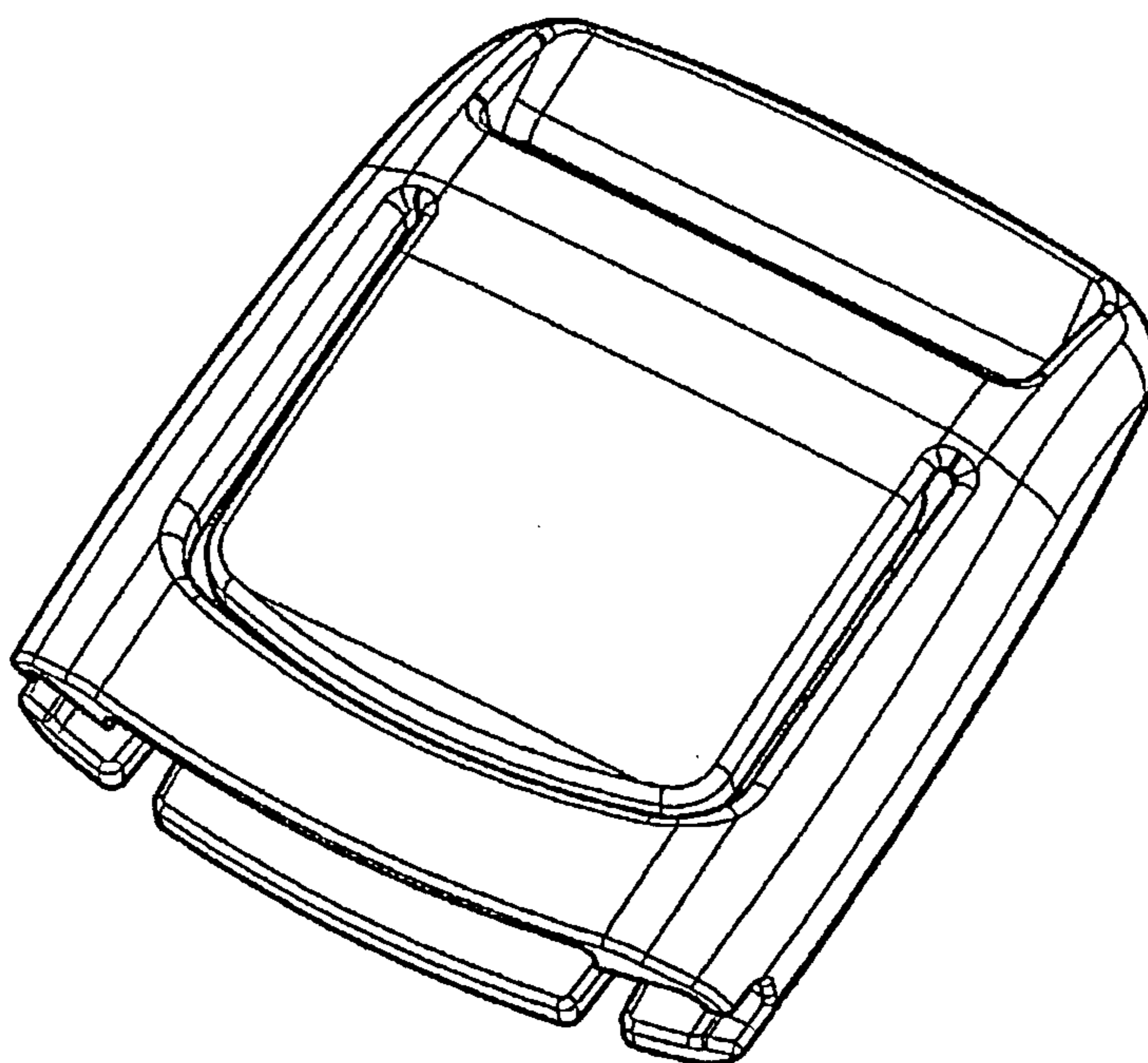


FIG. 13

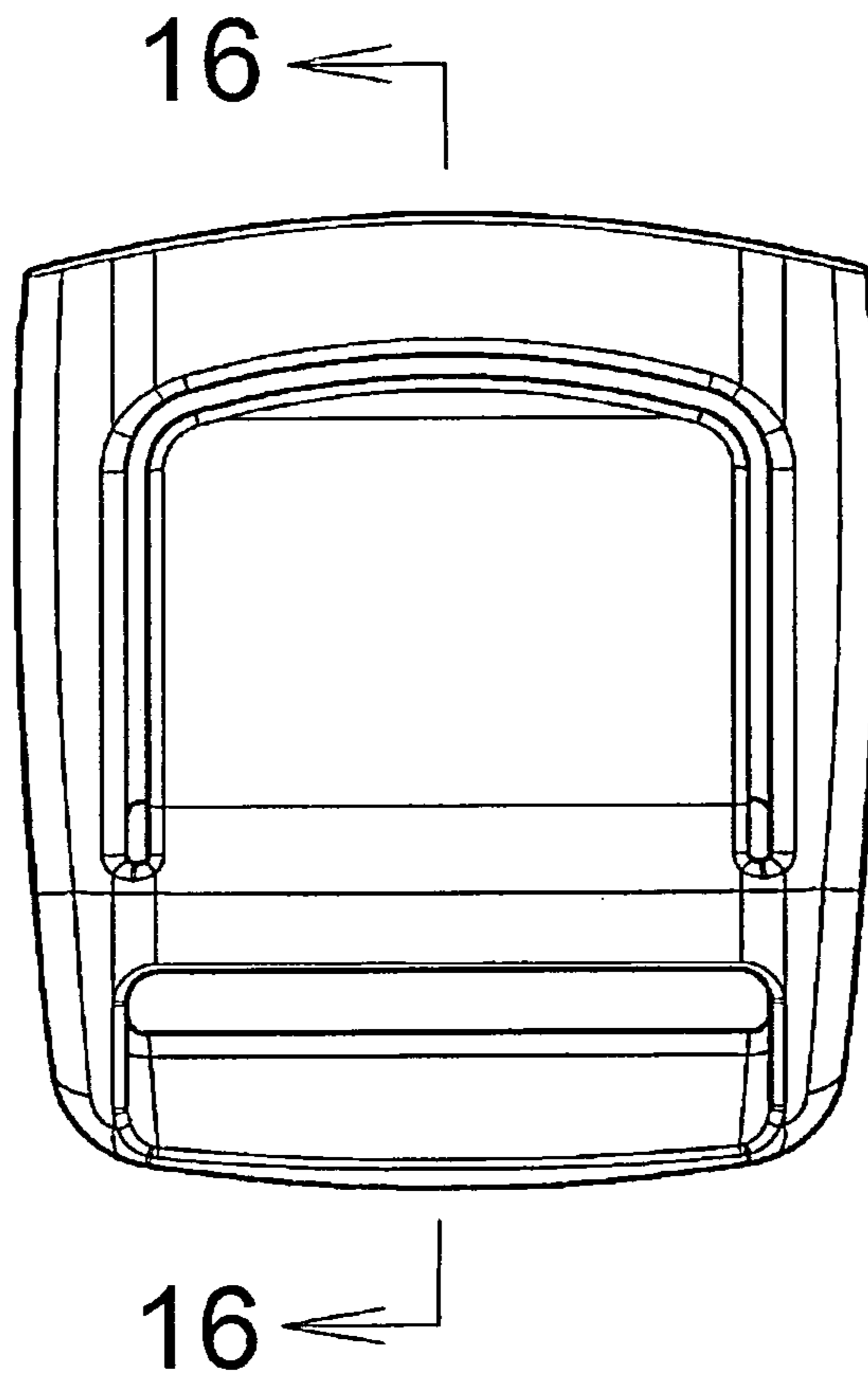


FIG. 14

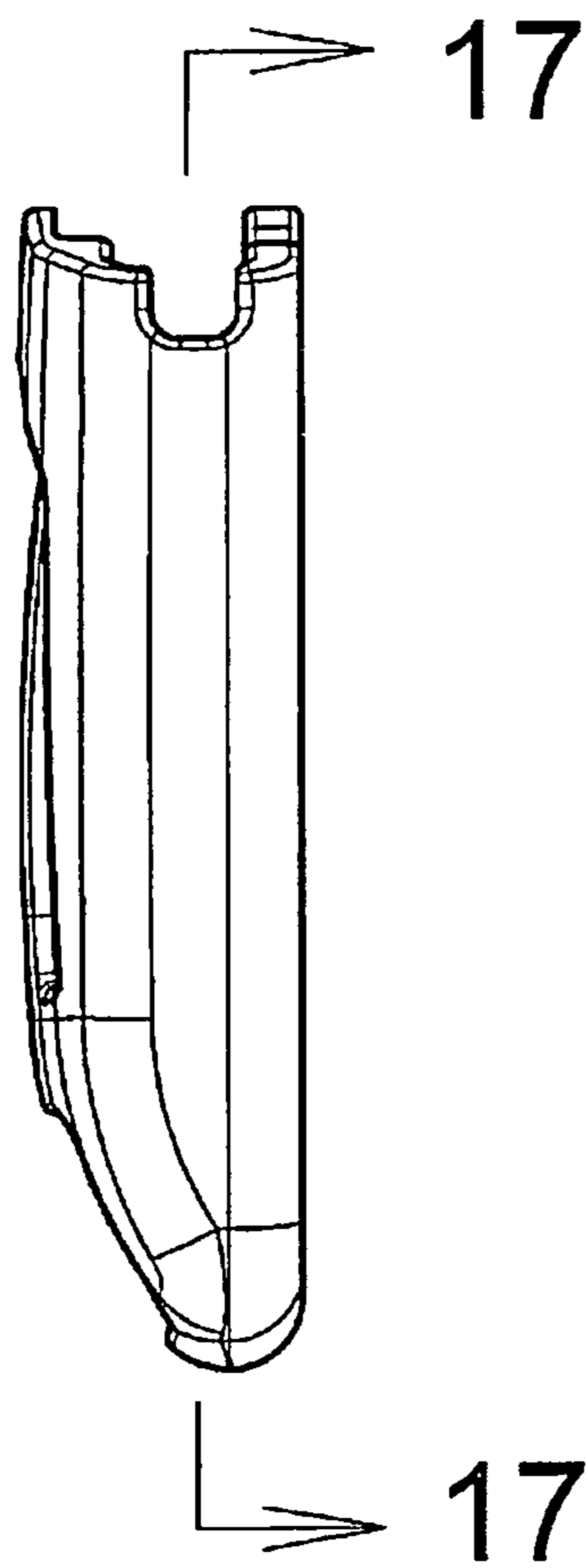


FIG. 15

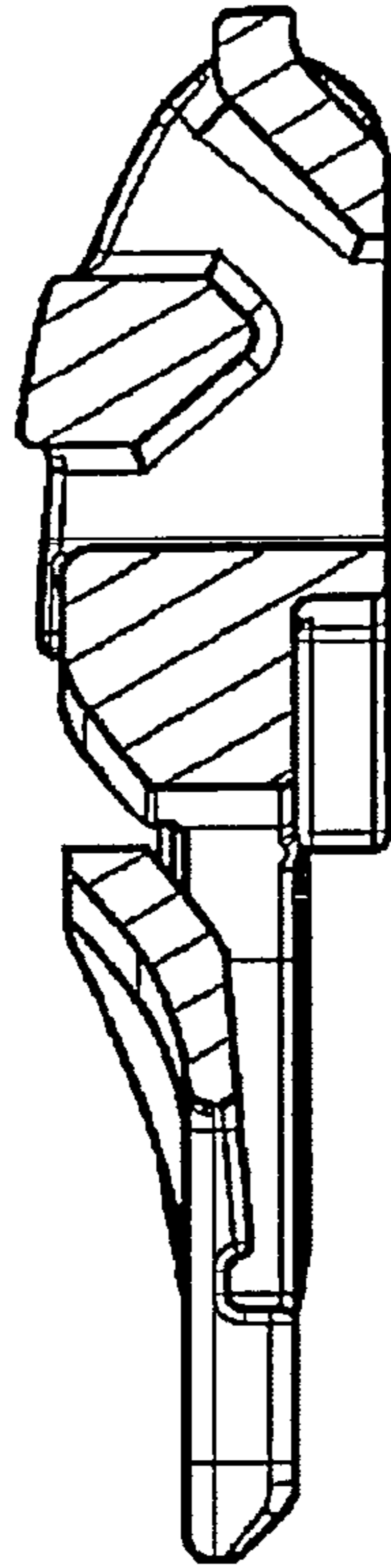


FIG. 16

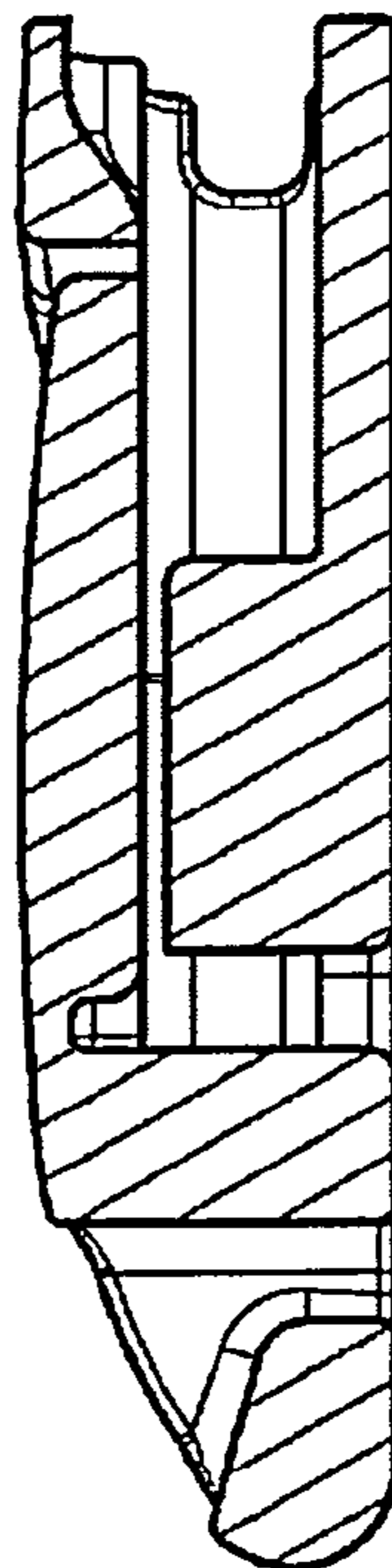


FIG. 17

