



US00D702591S

(12) **United States Design Patent**  
**Young**

(10) **Patent No.:** **US D702,591 S**

(45) **Date of Patent:** **\*\* \*Apr. 15, 2014**

(54) **COLLAPSIBLE VASE**

(71) Applicant: **Infusion Living LLC**, West Chester, PA (US)

(72) Inventor: **Wei Young**, Flushing, NY (US)

(\*) Notice: This patent is subject to a terminal disclaimer.

(\*\*) Term: **14 Years**

(21) Appl. No.: **29/451,333**

(22) Filed: **Apr. 1, 2013**

(51) **LOC (10) Cl.** ..... **11-02**

(52) **U.S. Cl.**  
USPC ..... **D11/152**; D11/143; D11/154

(58) **Field of Classification Search**  
USPC ..... D6/403–405, 556–558; D8/1; D11/143–156, 164; D19/77, 80, 81, D19/84; D25/100; D26/9–11, 16, 19; D34/1, 2, 4–6; D99/5, 19; 47/17, 32.4, 47/32.5, 32.7, 33, 39, 41.01, 41.1, 47/41.11–41.15, 44–47, 65, 65.5, 65.9, 47/66.1, 66.2, 66.6, 66.7, 67–71  
See application file for complete search history.

(56) **References Cited**

U.S. PATENT DOCUMENTS

D244,501 S *	5/1977	Jacobus	.....	D11/143
D329,406 S *	9/1992	Grosfillex	.....	D11/153
D331,549 S *	12/1992	Embree	.....	D11/153
D331,727 S *	12/1992	Grosfillex	.....	D11/153
D357,645 S *	4/1995	Wang	.....	D11/164
D422,101 S *	3/2000	Barraclough et al.	.....	D26/9
D458,869 S *	6/2002	Chung	.....	D11/151

D519,322 S *	4/2006	Hutton	.....	D11/143
D566,363 S *	4/2008	Lown et al.	.....	D34/1
D611,878 S *	3/2010	Zeisner	.....	D11/154
D653,161 S *	1/2012	Harshman	.....	D11/154
D674,724 S *	1/2013	Caccavari et al.	.....	D11/152

\* cited by examiner

*Primary Examiner* — Garth Rademaker  
(74) *Attorney, Agent, or Firm* — Cooley Manion Jones LLP; Lawrence K. DeMeo

(57) **CLAIM**

The ornamental design for a collapsible vase, as shown and described.

**DESCRIPTION**

FIG. 1 is a front view of a collapsible vase according to the present design, the rear, left side and right side views being identical thereto;

FIG. 2 is a bottom view thereof;

FIG. 3 is a top view thereof;

FIG. 4 is a perspective view thereof;

FIG. 5 is a top perspective view thereof, shown with the top portion folded outwards;

FIG. 6 is a top perspective view thereof, shown with the bottom portion folded inwards;

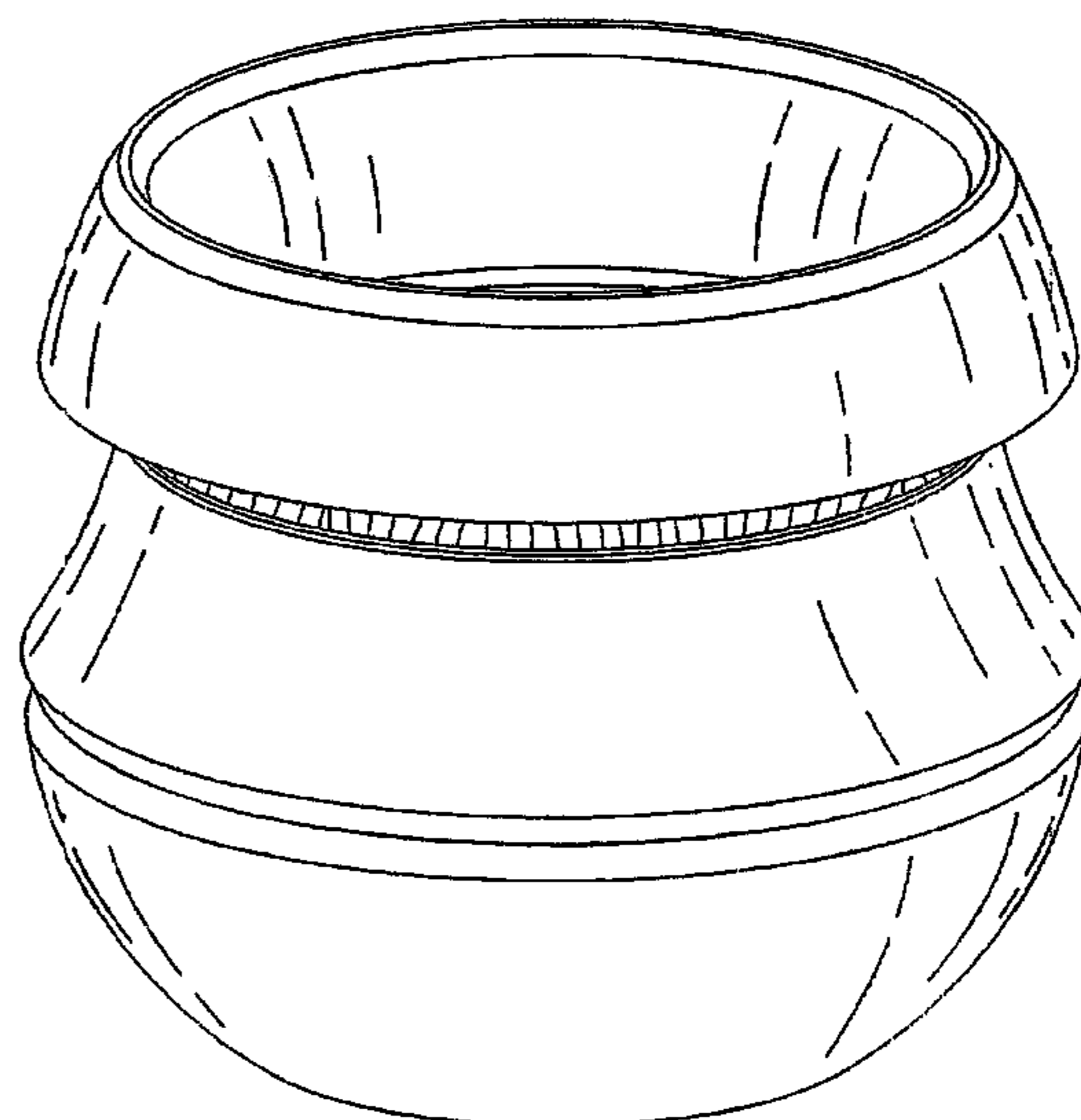
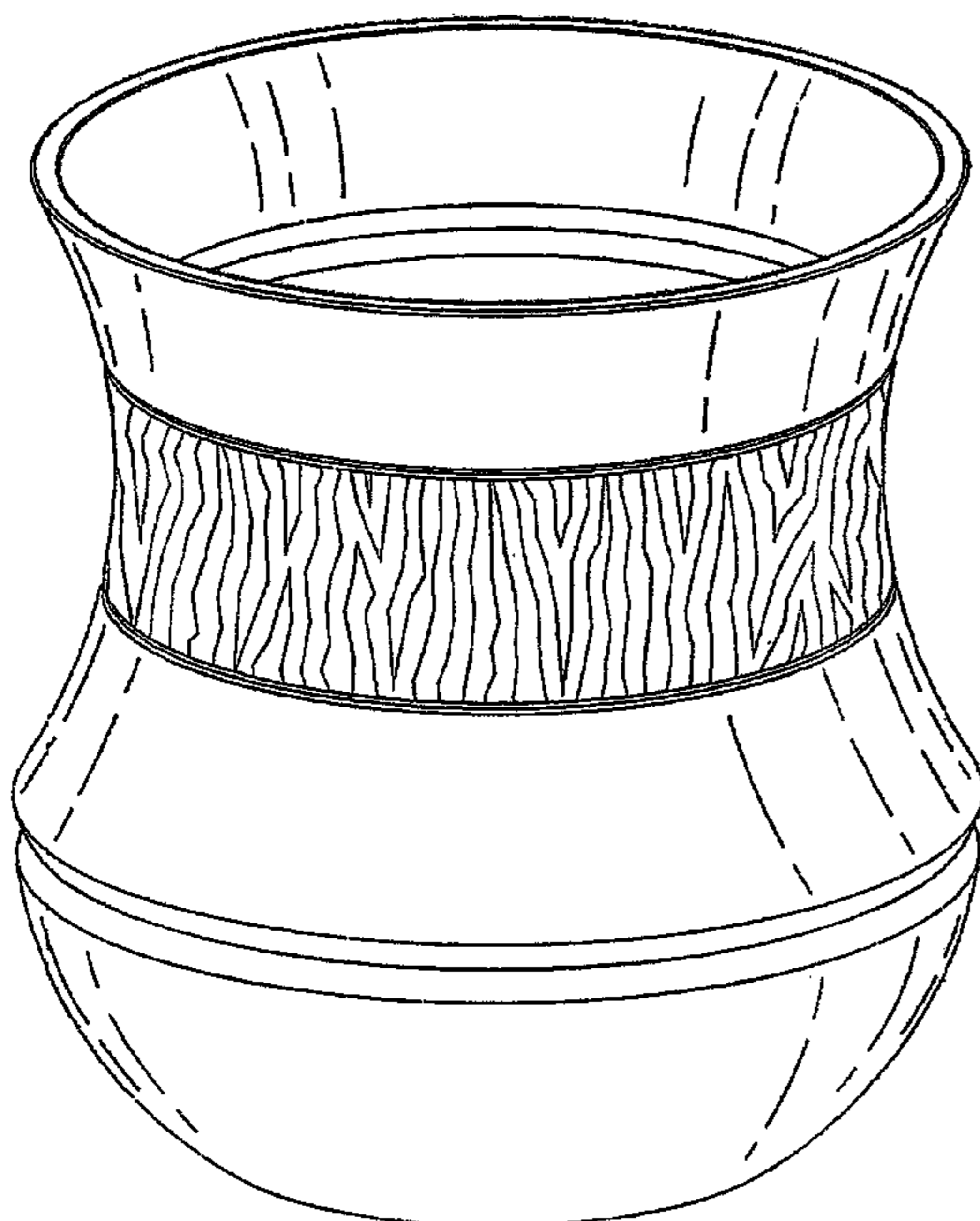
FIG. 7 is a bottom perspective view thereof, shown with the bottom portion folded inwards;

FIG. 8 is a top perspective view thereof, shown with the bottom portion folded outwards;

FIG. 9 is a top perspective view thereof, shown with the top portion folded outwards and the bottom portion folded inwards; and,

FIG. 10 is a bottom perspective view thereof, shown with the top portion folded outwards and the bottom portion folded inwards.

**1 Claim, 10 Drawing Sheets**



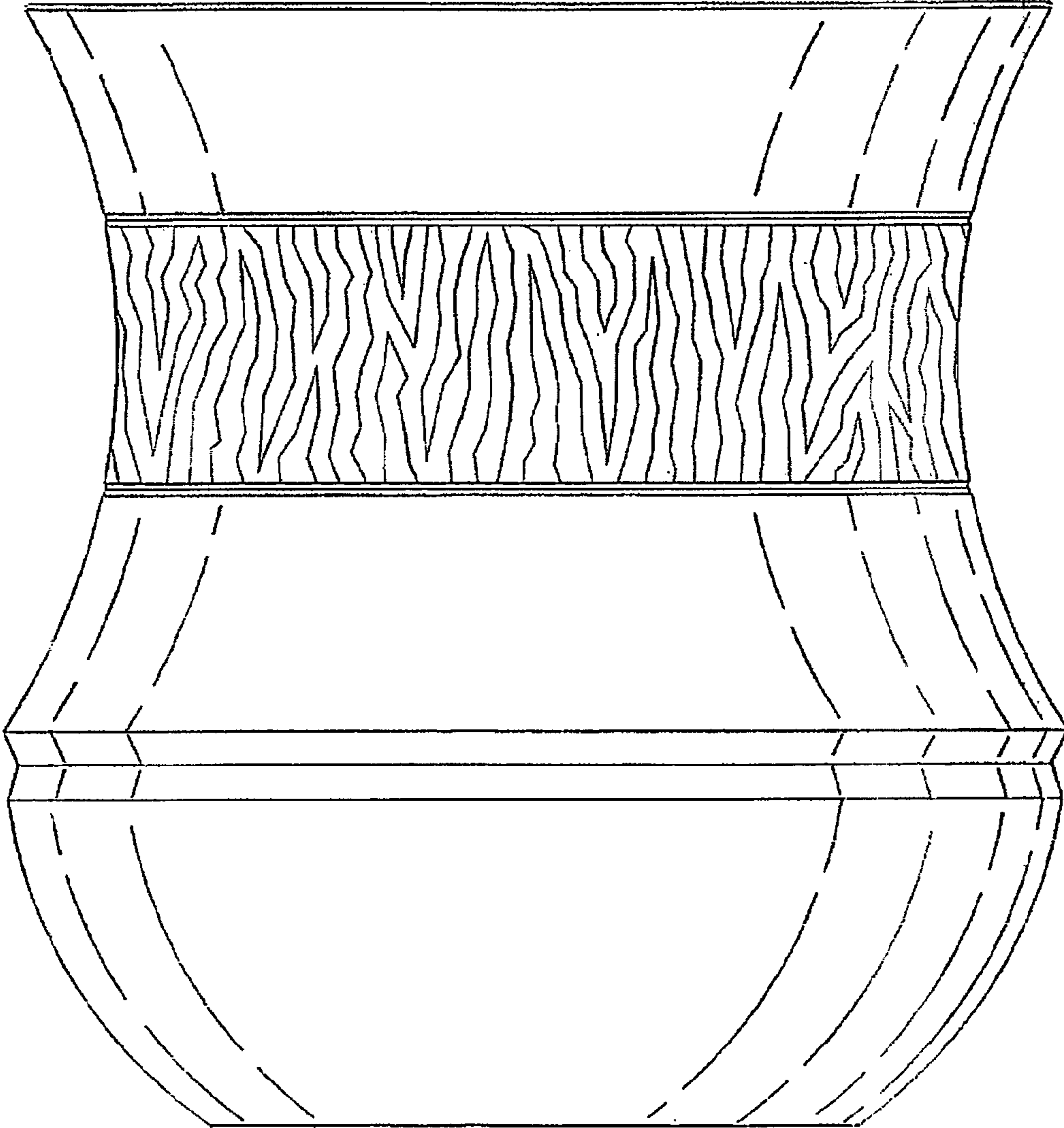


Figure 1

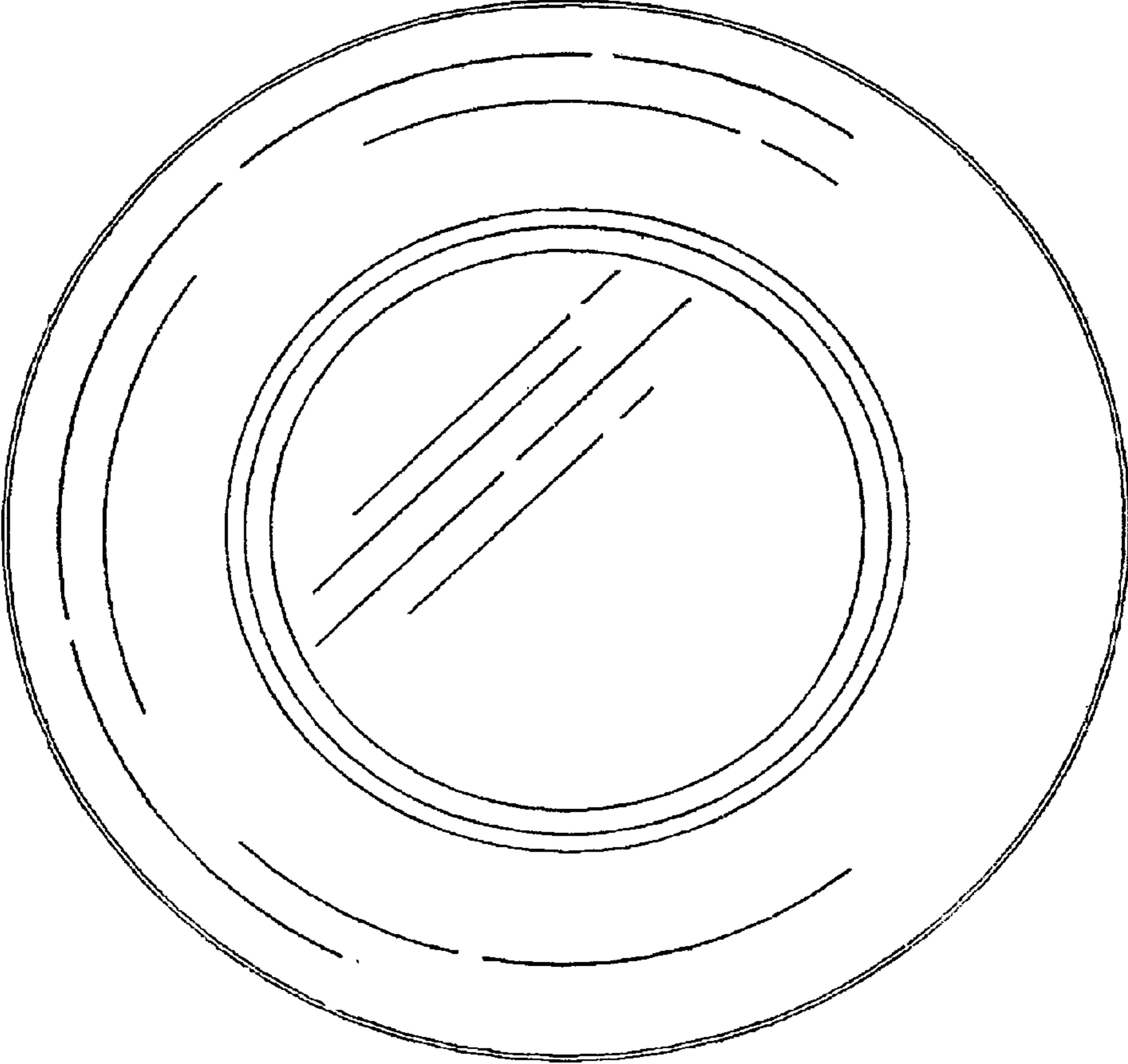


Figure 2

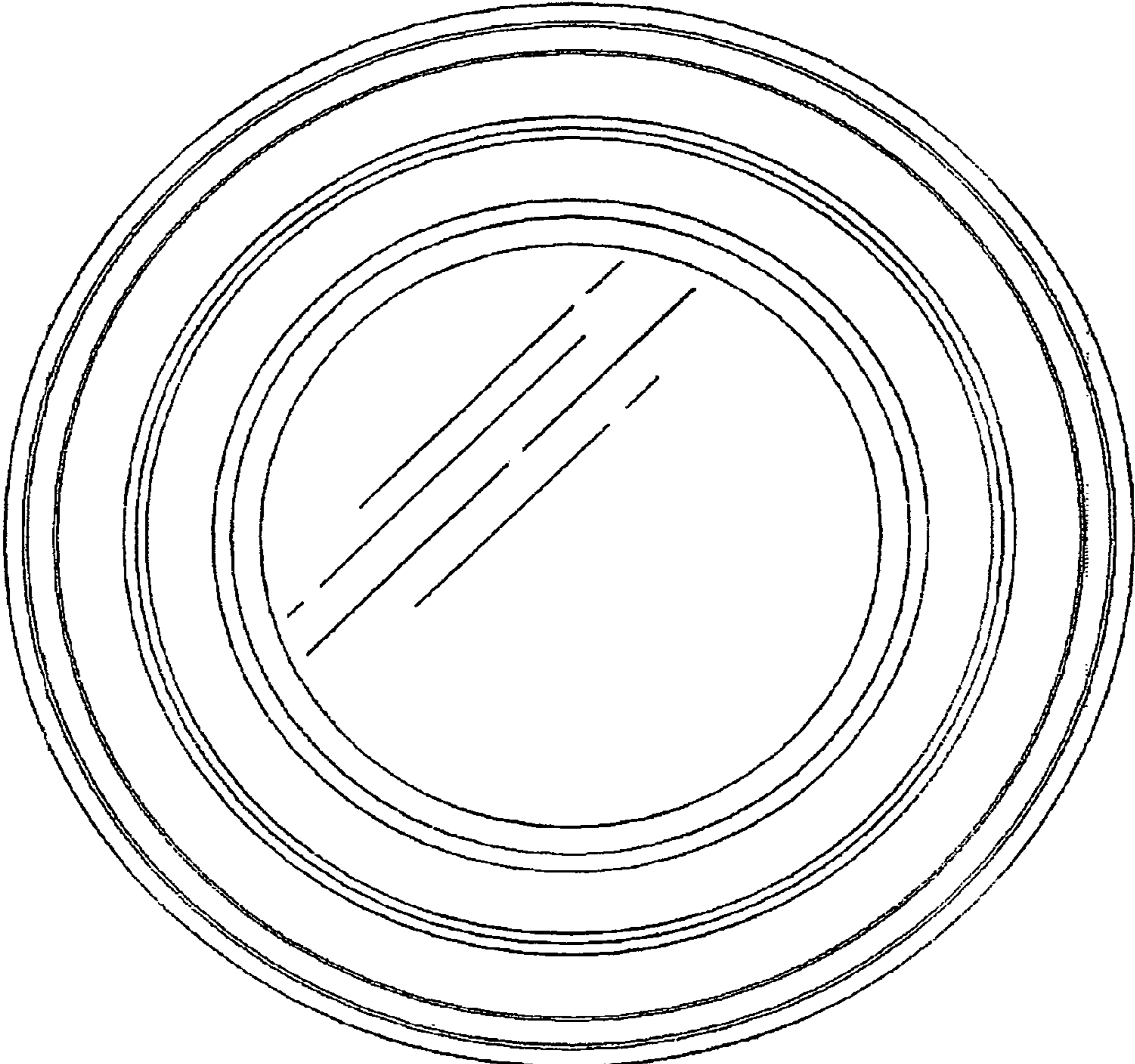


Figure 3

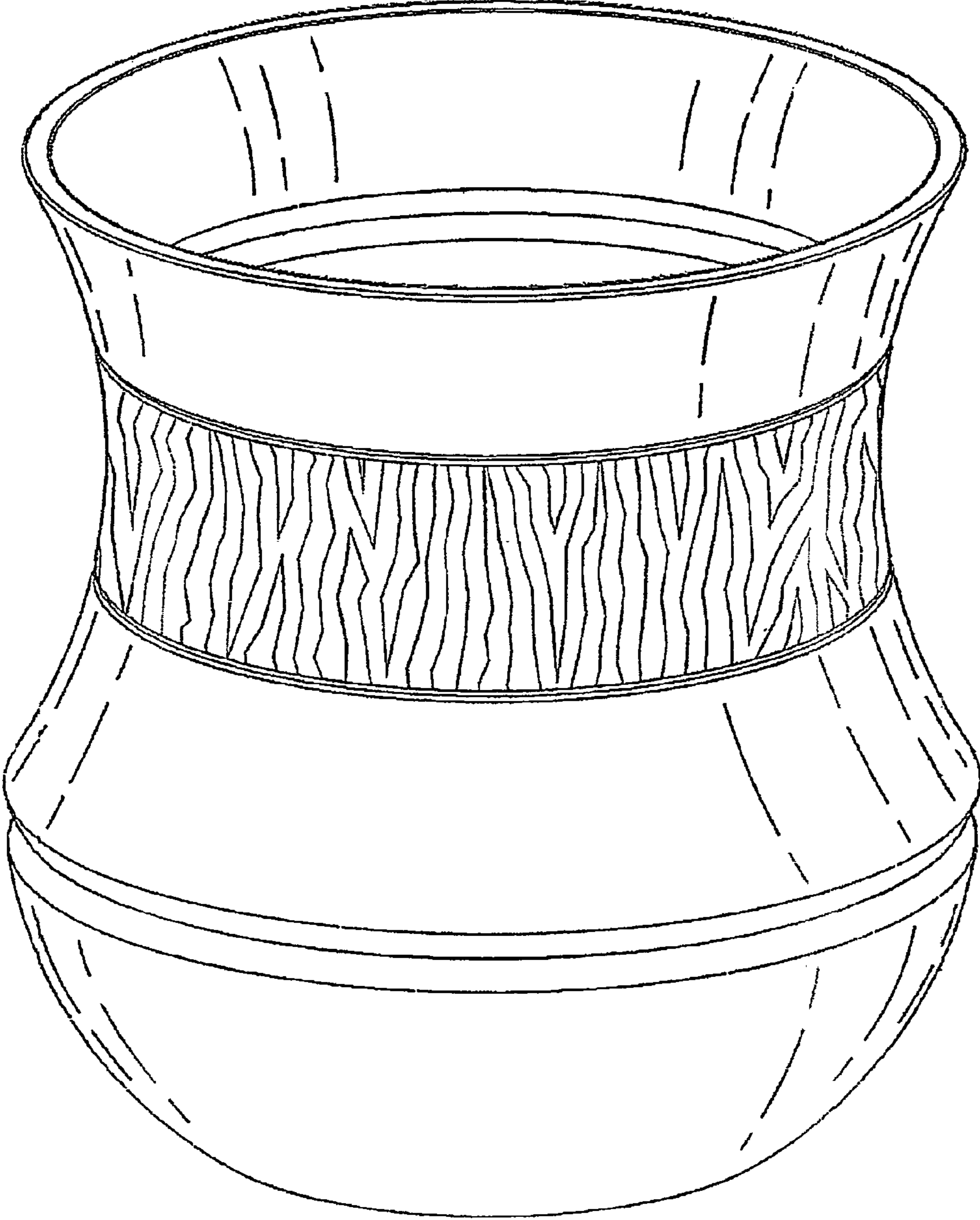


Figure 4

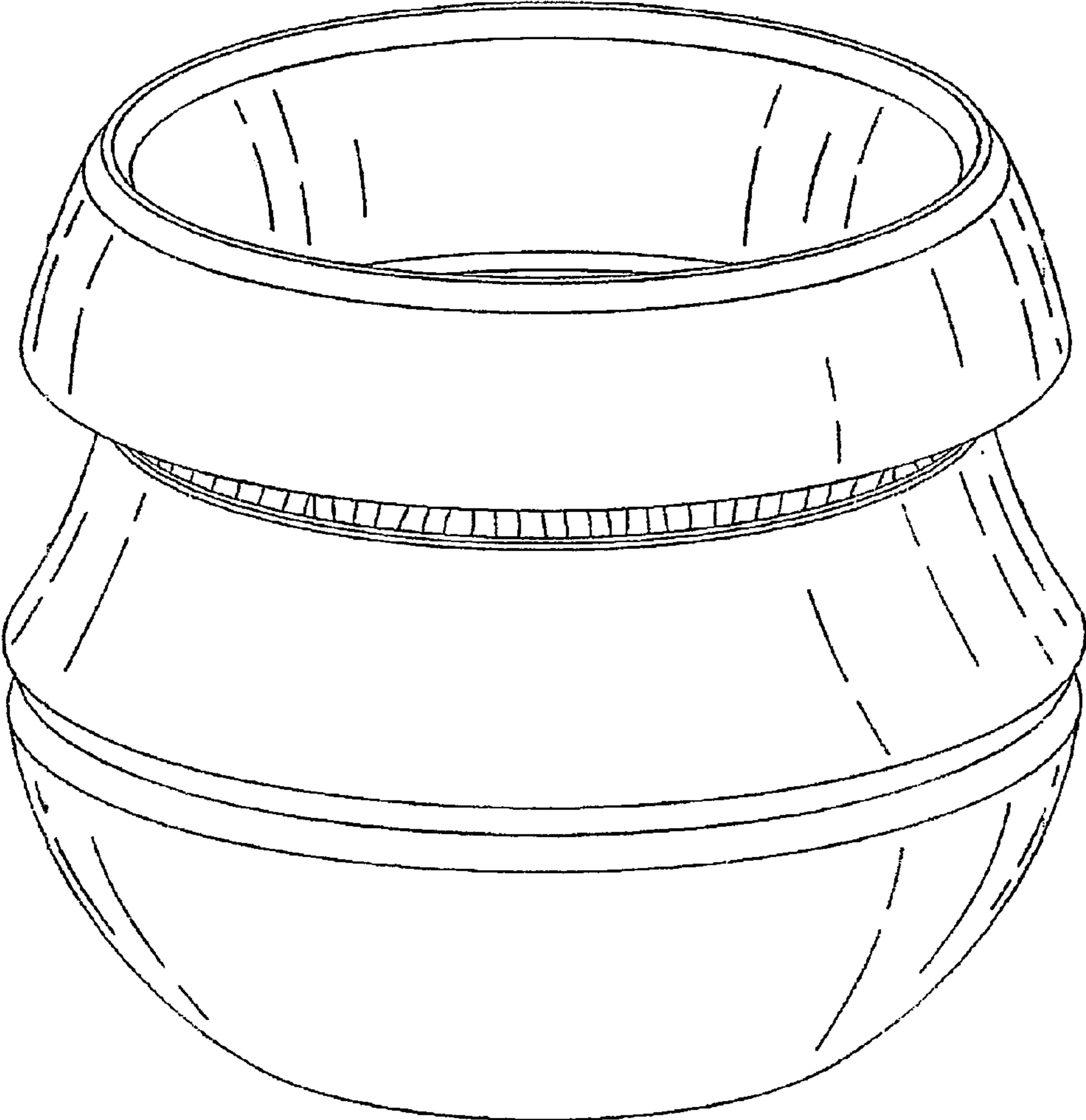


Figure 5

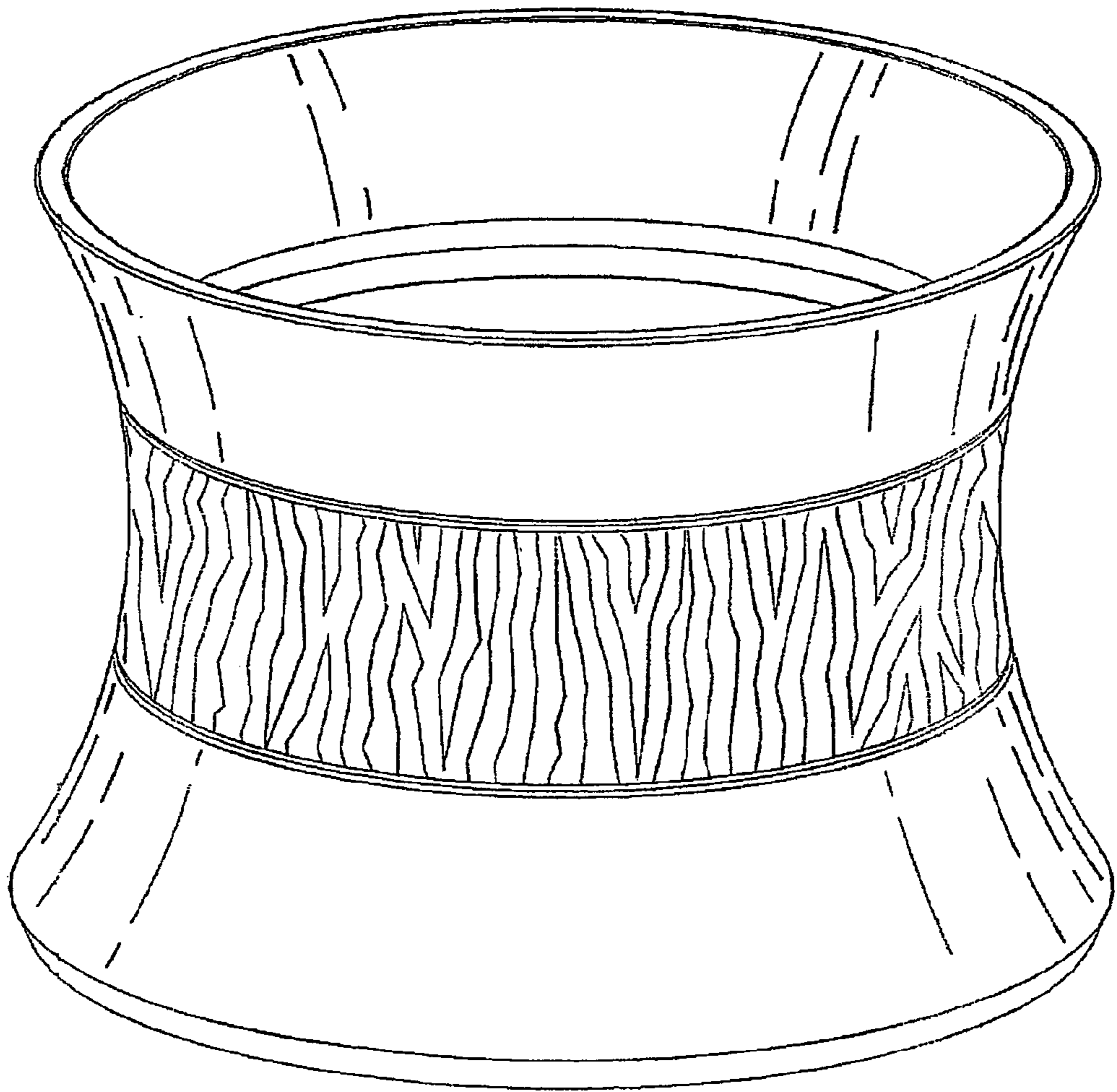


Figure 6

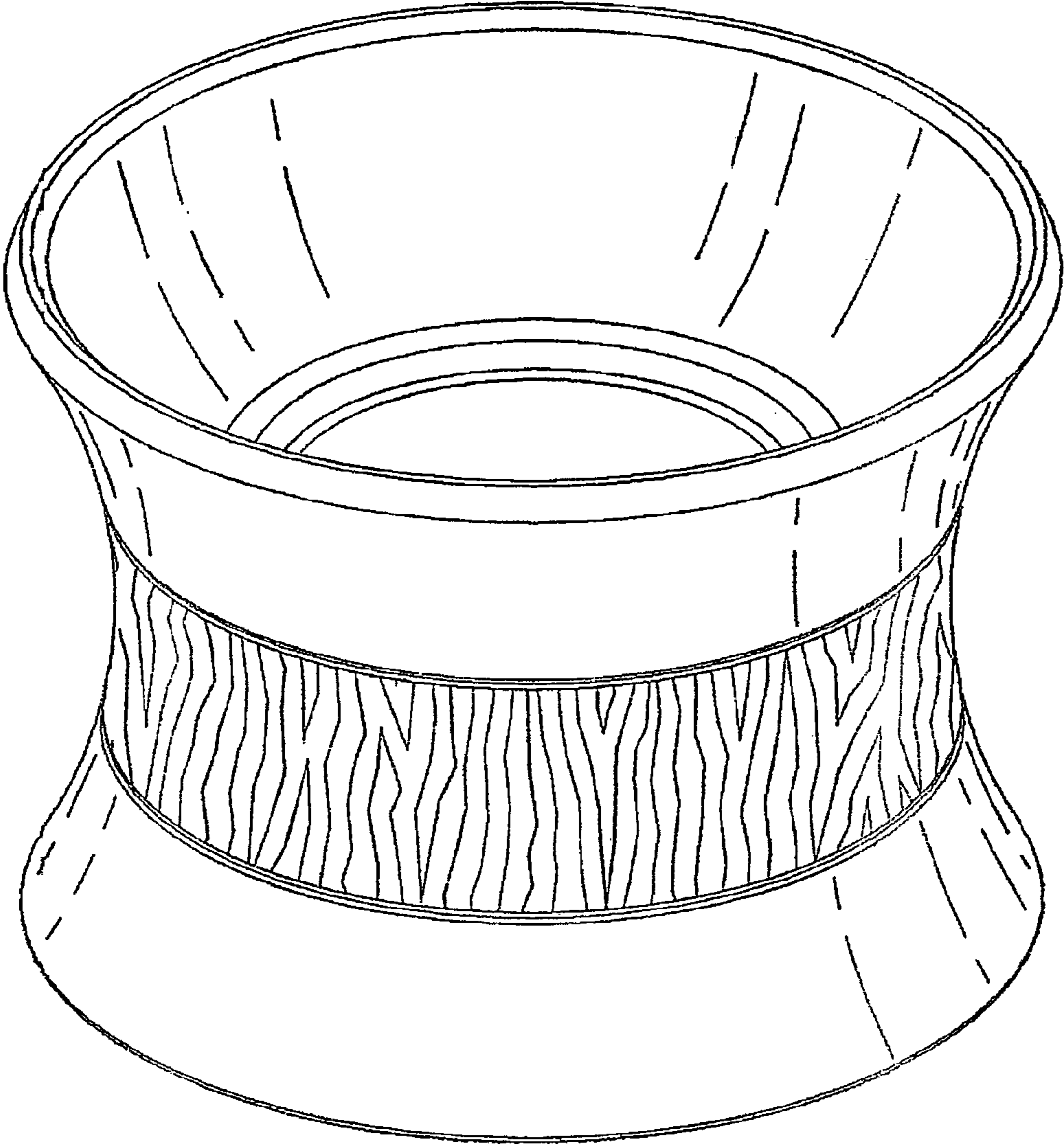


Figure 7



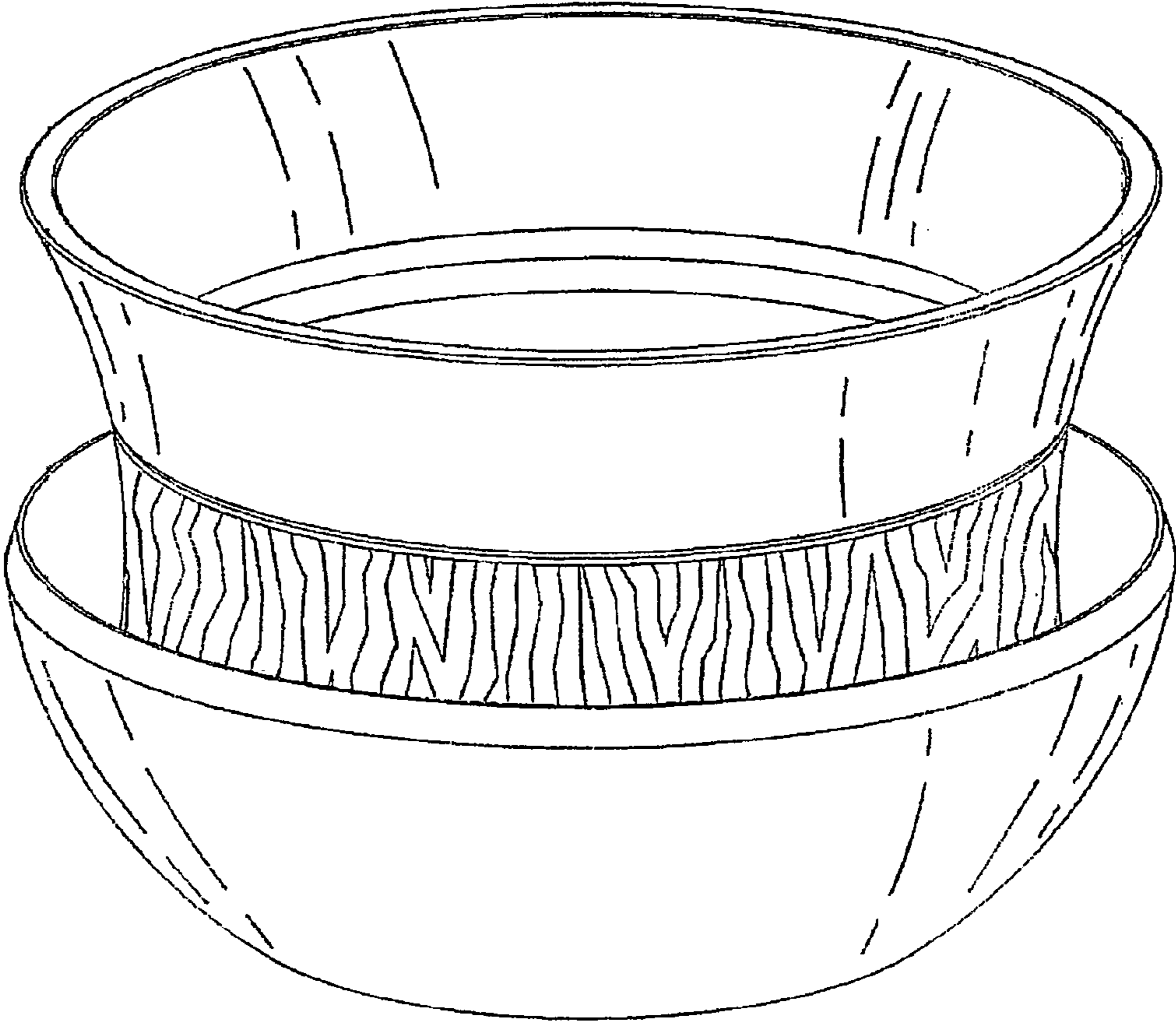


Figure 8

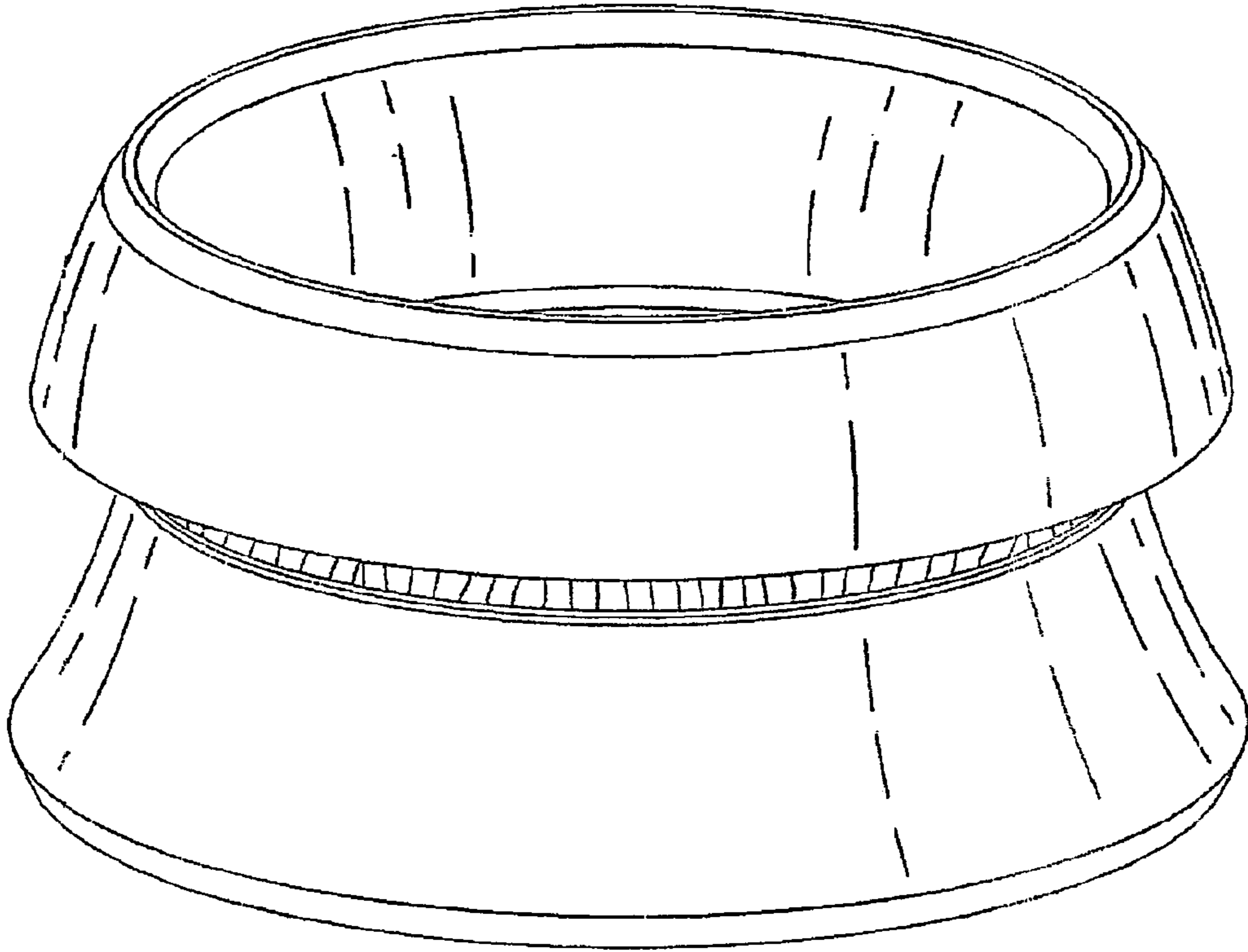


Figure 9

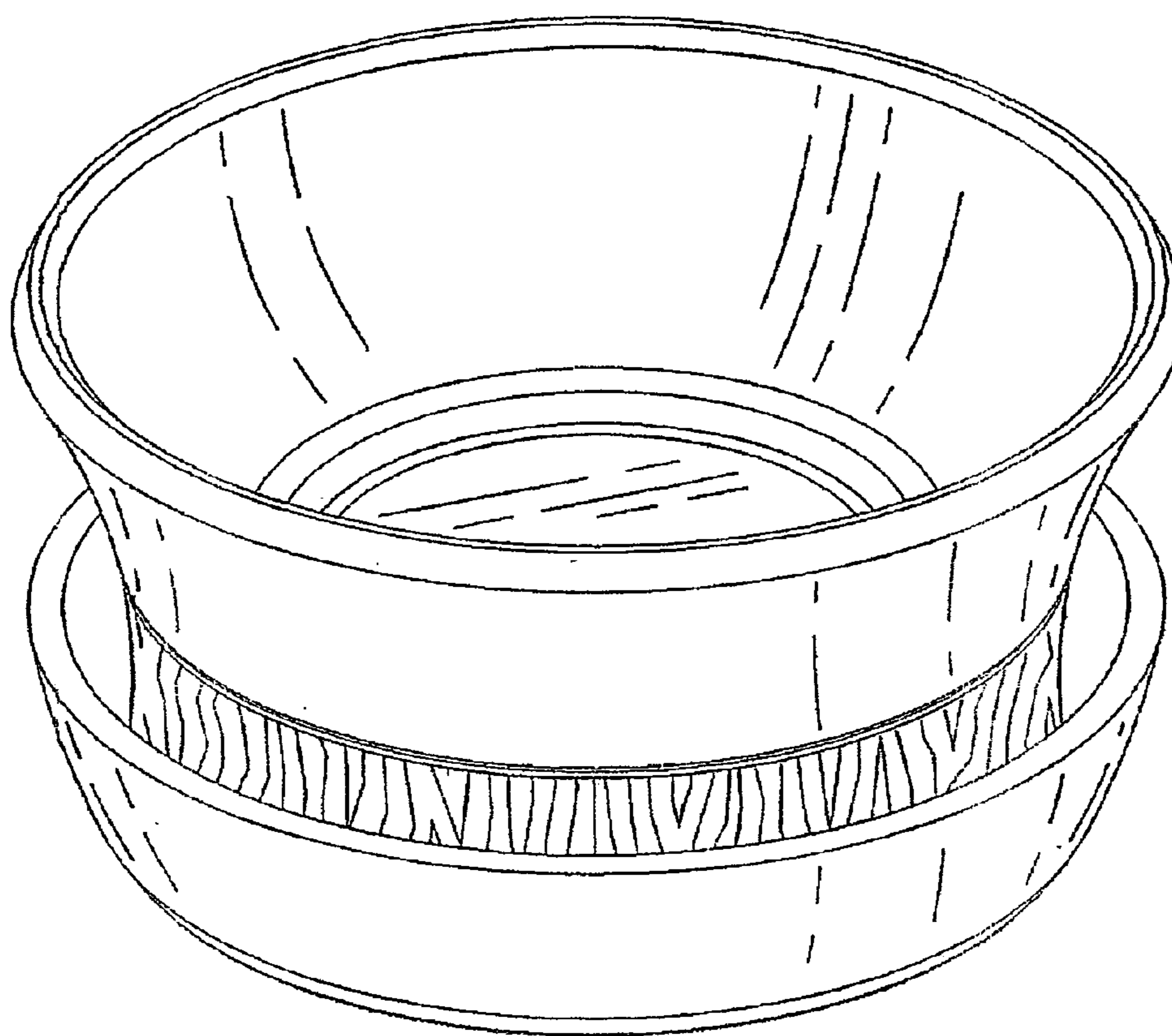


Figure 10