



US00D702583S

(12) **United States Design Patent**
Laflamme et al.

(10) **Patent No.:** **US D702,583 S**
(45) **Date of Patent:** **** Apr. 15, 2014**

(54) **MEMBER FOR TRANSLOCATING ROADWAY MARKERS**

(75) Inventors: **Enrick Laflamme**,
St-Joseph-de-Coleraine (CA); **André Dubois**,
Brownsburg-Chatham (CA); **Serge Daignault**,
Ste-Marthe-sur-le-Lac (CA)

(73) Assignee: **Entreprise T.R.A. (2011) Inc.** (CA)

(**) Term: **14 Years**

(21) Appl. No.: **29/413,356**

(22) Filed: **Feb. 14, 2012**

(51) **LOC (10) Cl.** **10-05**

(52) **U.S. Cl.**
USPC **D10/121**

(58) **Field of Classification Search**
USPC D10/109, 113.1–113.4; 404/9–16;
264/510; 30/340, 348, 349; 403/88;
414/539, 555, 503; 473/561

See application file for complete search history.

(56) **References Cited**

U.S. PATENT DOCUMENTS

1,338,272	A *	4/1920	Worthington	30/348
1,443,839	A *	1/1923	Glenn	30/340
1,594,413	A *	8/1926	Glenn	403/88
1,851,829	A *	3/1932	Gonyk	30/349
6,056,498	A *	5/2000	Velinsky et al.	414/555

6,726,434	B2 *	4/2004	Orthaus et al.	414/539
7,431,532	B2 *	10/2008	Lidster	404/6
7,581,918	B2 *	9/2009	Jordan	414/503
2005/0156358	A1 *	7/2005	Bellefleur et al.	264/510
2005/0196257	A1	9/2005	Villeneuve et al.		
2013/0116070	A1 *	5/2013	Xun et al.	473/561

* cited by examiner

Primary Examiner — George D Kirschbaum

(74) *Attorney, Agent, or Firm* — Barnes & Thornburg LLP

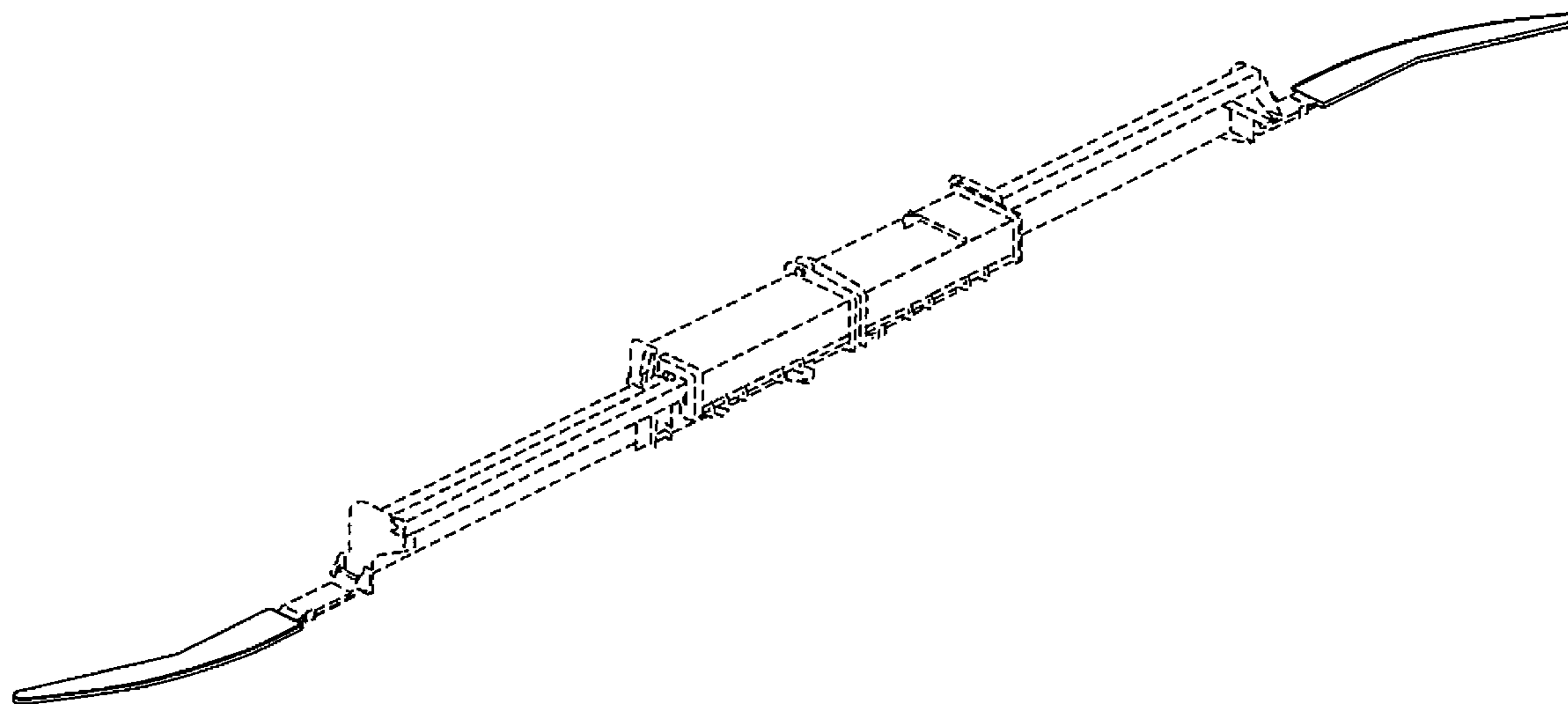
(57) **CLAIM**

We claim the ornamental design for a member for translocating roadway markers, as shown and described.

DESCRIPTION

FIG. 1 is a rear perspective view of a member for translocating roadway markers according to the present design;
 FIG. 2 is a front perspective view of the member for translocating roadway markers of FIG. 1;
 FIG. 3 is a front elevational view of the member for translocating roadway markers of FIG. 1;
 FIG. 4 is a rear elevational view of the member for translocating roadway markers of FIG. 1;
 FIG. 5 is a top view of the member for translocating roadway markers of FIG. 1;
 FIG. 6 is a bottom plan view of the member for translocating roadway markers of FIG. 1; and,
 FIG. 7 is a front perspective view of the member for translocating roadway markers of FIG. 1.
 The broken lines depict environment subject matter only and form no part of the claimed design.

1 Claim, 5 Drawing Sheets



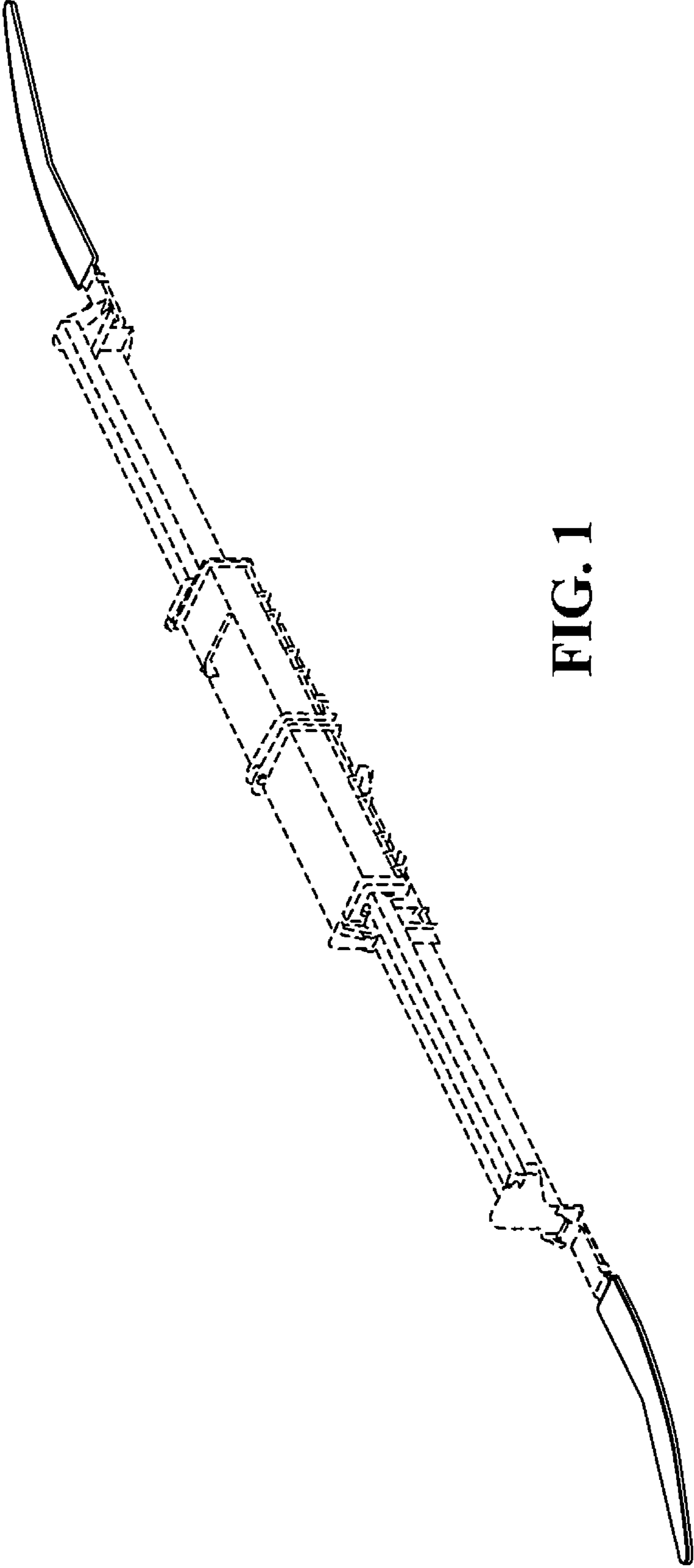


FIG. 1

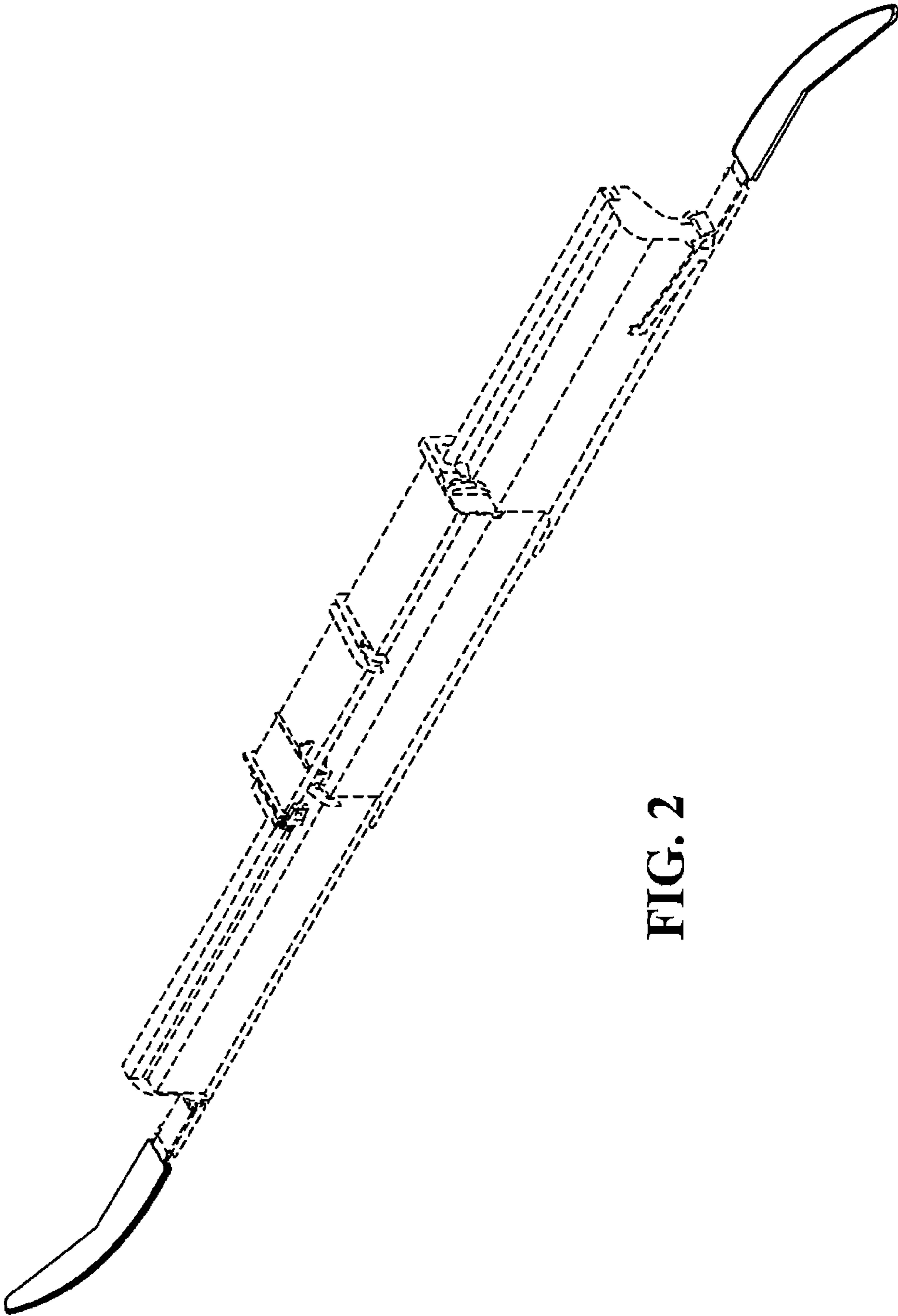


FIG. 2

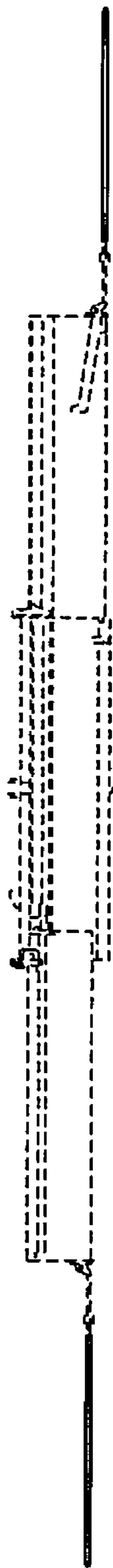


FIG. 3

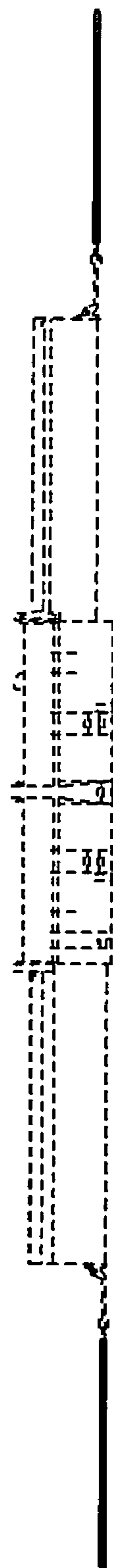


FIG. 4

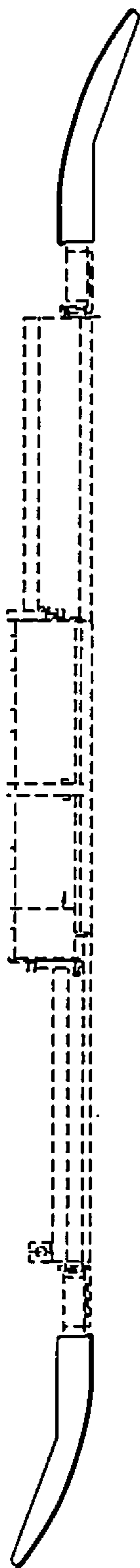


FIG. 5

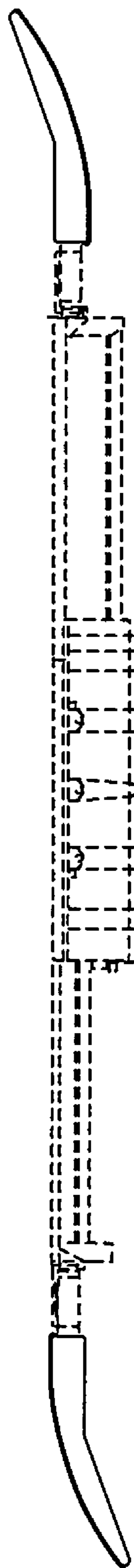


FIG. 6

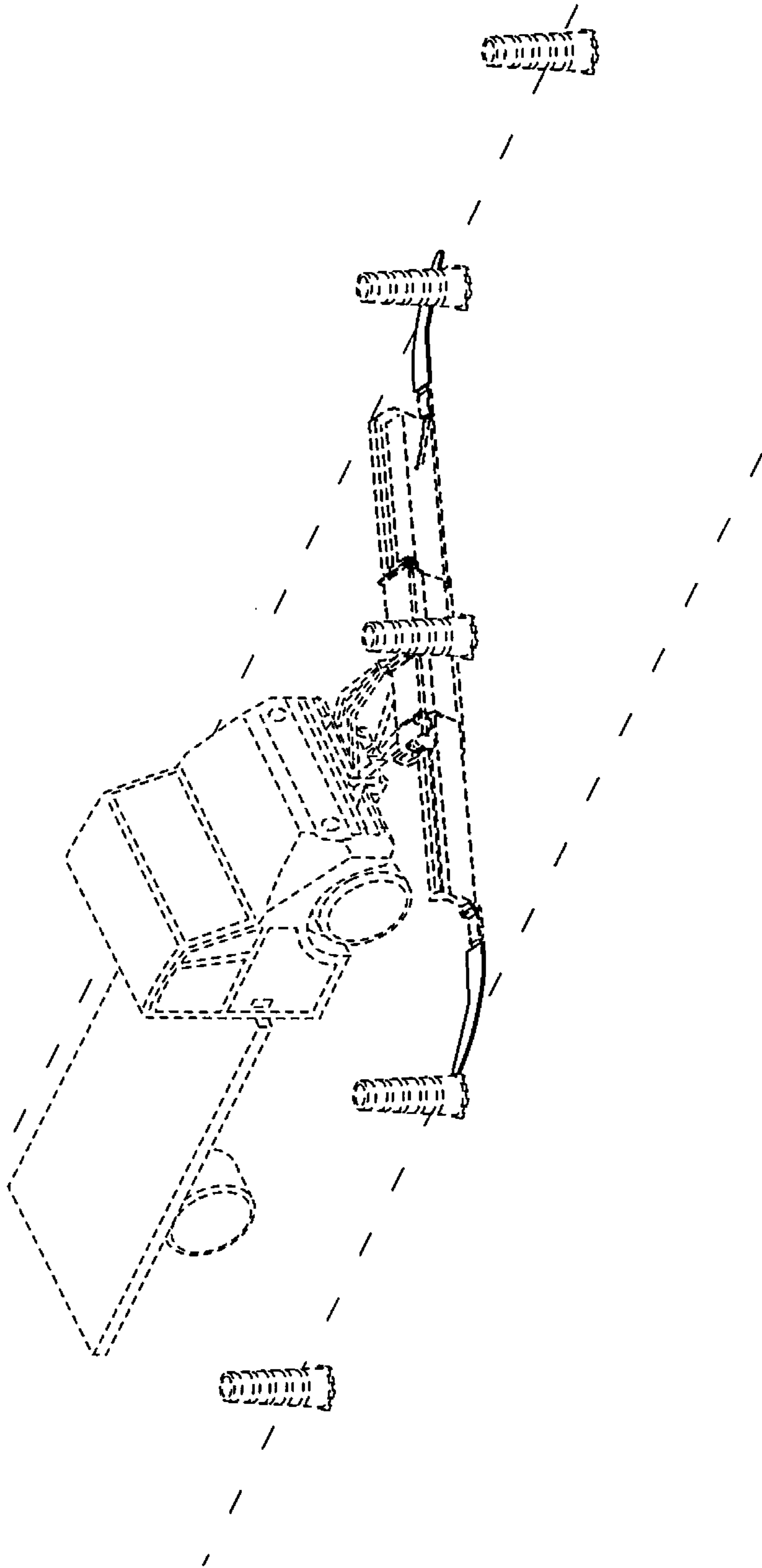


FIG. 7