



US00D702582S

(12) **United States Design Patent**  
**Lee et al.**

(10) **Patent No.:** **US D702,582 S**  
(45) **Date of Patent:** **\*\* Apr. 15, 2014**

(54) **LENS FOR A MOTION DETECTOR IN A  
DECORATIVE LIGHTING FIXTURE**

(75) Inventors: **Wade Lee**, Danville, CA (US); **Donald  
R. Sandell**, San Jose, CA (US)

(73) Assignee: **Ningbo UTEC Electric Co., Ltd.**,  
Yuyao (CN)

(\*\*) Term: **14 Years**

(21) Appl. No.: **29/248,775**

(22) Filed: **Aug. 31, 2006**

(51) **LOC (10) Cl.** ..... **10-05**

(52) **U.S. Cl.**  
USPC ..... **D10/121**

(58) **Field of Classification Search**  
USPC ..... D10/104-121; 340/558; 392/423;  
134/21; 362/276; 428/192; 15/97.3;  
209/235; D1/127; 353/119

See application file for complete search history.

(56) **References Cited**

**U.S. PATENT DOCUMENTS**

3,763,348	A *	10/1973	Costello	392/423
4,808,234	A *	2/1989	McKay et al.	134/21
D329,526	S *	9/1992	Monzon	D1/127
D338,845	S *	8/1993	Rohrs	D10/106
5,282,118	A *	1/1994	Lee	362/276
5,361,443	A *	11/1994	Belanger et al.	15/97.3
D359,008	S *	6/1995	Sandell et al.	D10/106
5,434,764	A *	7/1995	Lee et al.	362/276
5,442,532	A *	8/1995	Boulos et al.	362/276
D366,222	S *	1/1996	Sandell et al.	D10/106
D372,203	S *	7/1996	Sandell et al.	D10/106
5,575,557	A *	11/1996	Huang et al.	362/276
D377,619	S *	1/1997	Sandell	D10/106
5,590,953	A *	1/1997	Haslam et al.	362/276
5,626,417	A *	5/1997	McCavit	362/276

5,649,761	A *	7/1997	Sandell et al.	362/276
5,662,411	A *	9/1997	Haslam et al.	362/276
5,744,218	A *	4/1998	Barnes	428/192
D466,429	S *	12/2002	Sandell et al.	10/106
6,943,687	B2	9/2005	Lee	
2004/0119951	A1 *	6/2004	Vitantonio et al.	353/119
2004/0246723	A1 *	12/2004	Graves et al.	362/276
2006/0180505	A1 *	8/2006	Alderson et al.	209/235
2007/0177384	A1 *	8/2007	Sibalich et al.	362/276

**OTHER PUBLICATIONS**

Photo of prior art motion activated decorative lighting fixture.

\* cited by examiner

*Primary Examiner* — George D Kirschbaum

(57) **CLAIM**

The ornamental design for a lens for a motion detector in a decorative lighting fixture, as shown and described.

**DESCRIPTION**

FIG. 1 is an overall perspective view of a decorative lighting fixture including a motion detector with a lens showing our design;

FIG. 2 is a front elevational view of the motion detector lens of FIG. 1 with a portion of the lighting fixture shown in broken lines; and,

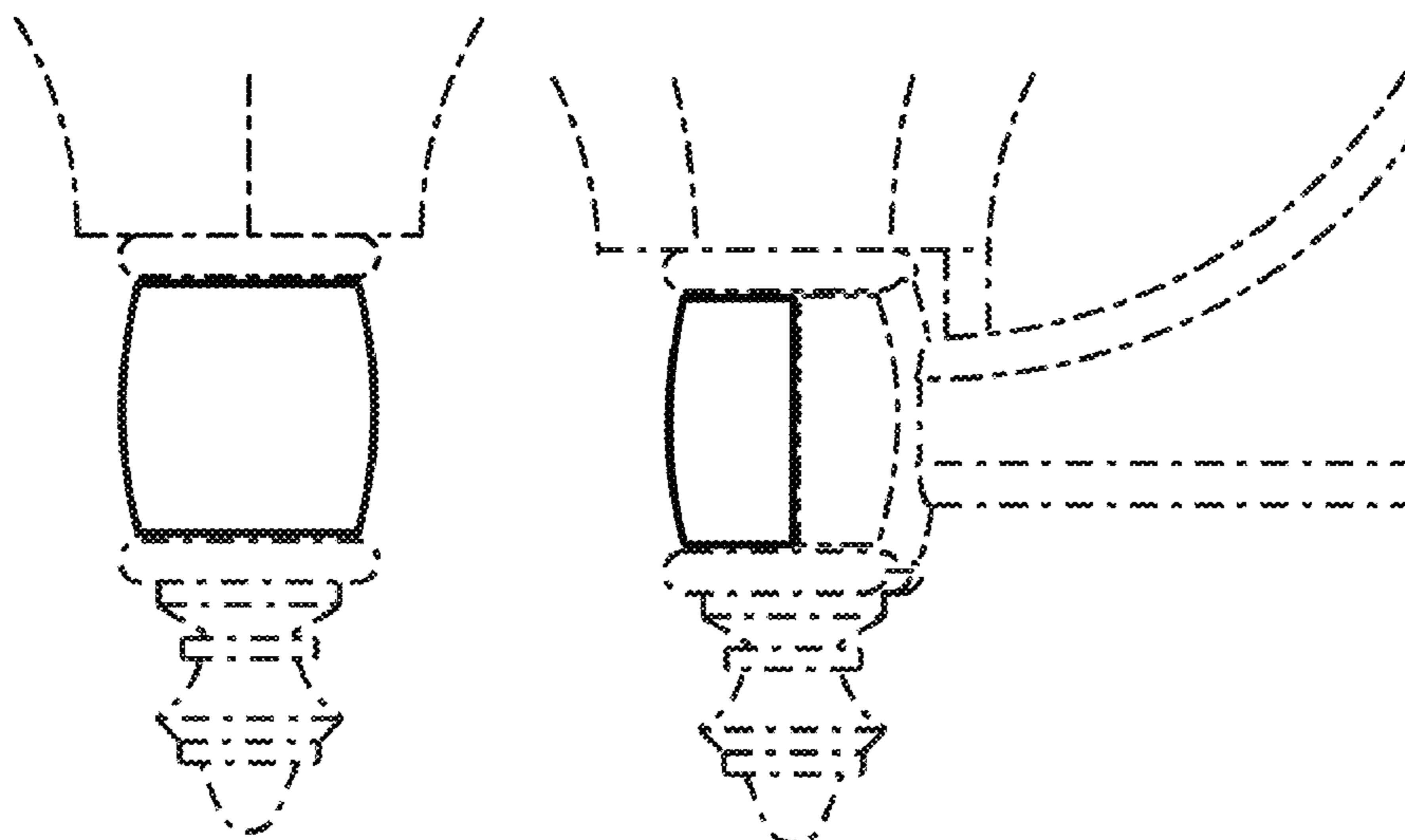
FIG. 3 is a right elevational view of the motion detector lens of FIG. 1 with a portion of the lighting fixture shown in broken lines; the left elevational view is a mirror image.

The top, rear and bottom of the motion detector lens in the lighting fixture contain no elements of the claimed design and are not visible in ordinary use.

The broken lines in the Figures are shown for illustrative purposes only and do not form part of the claimed design.

A characteristic feature of the design resides in the bulging "barrel" shape of the lens.

**1 Claim, 2 Drawing Sheets**



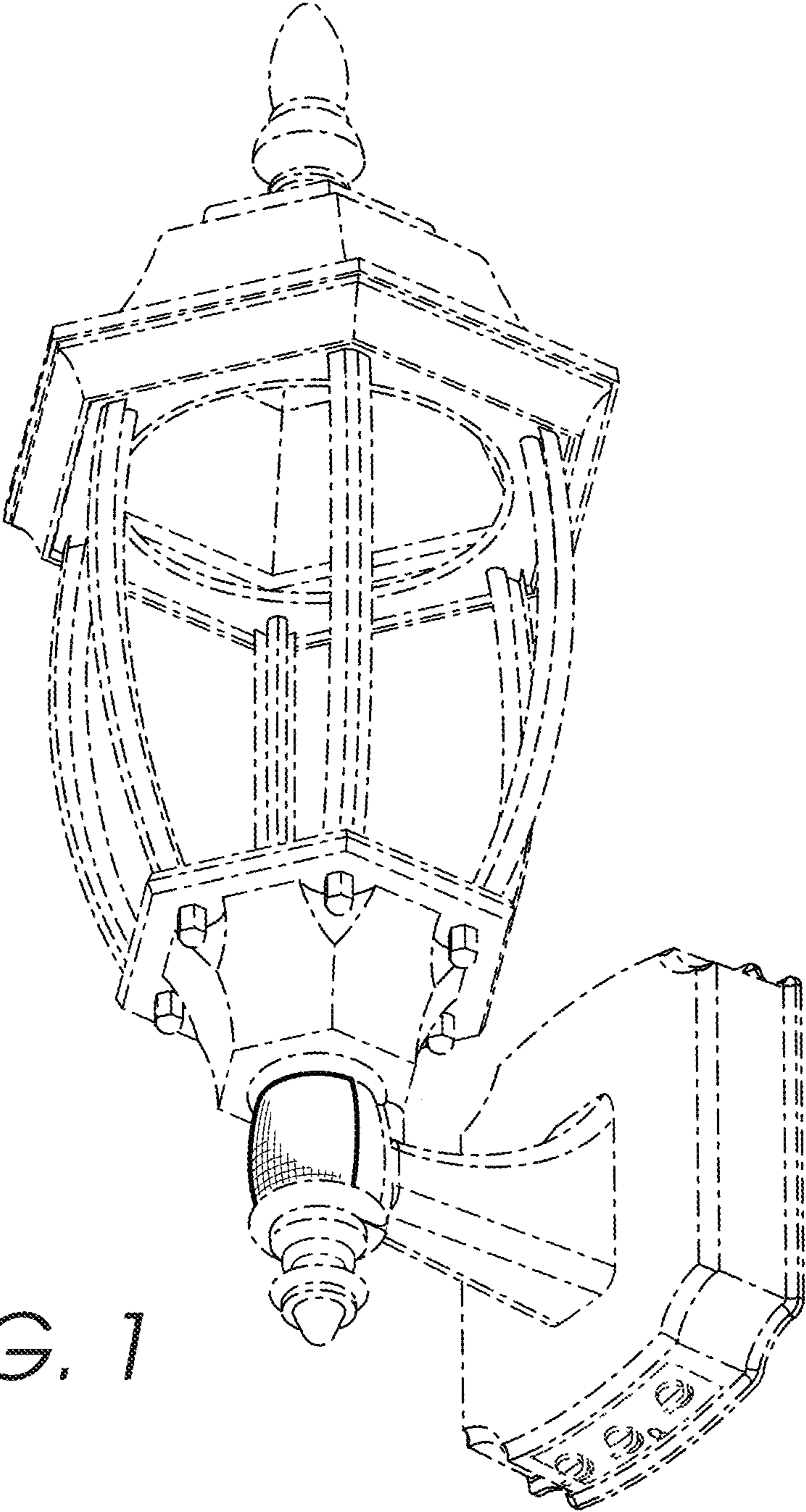


FIG. 1

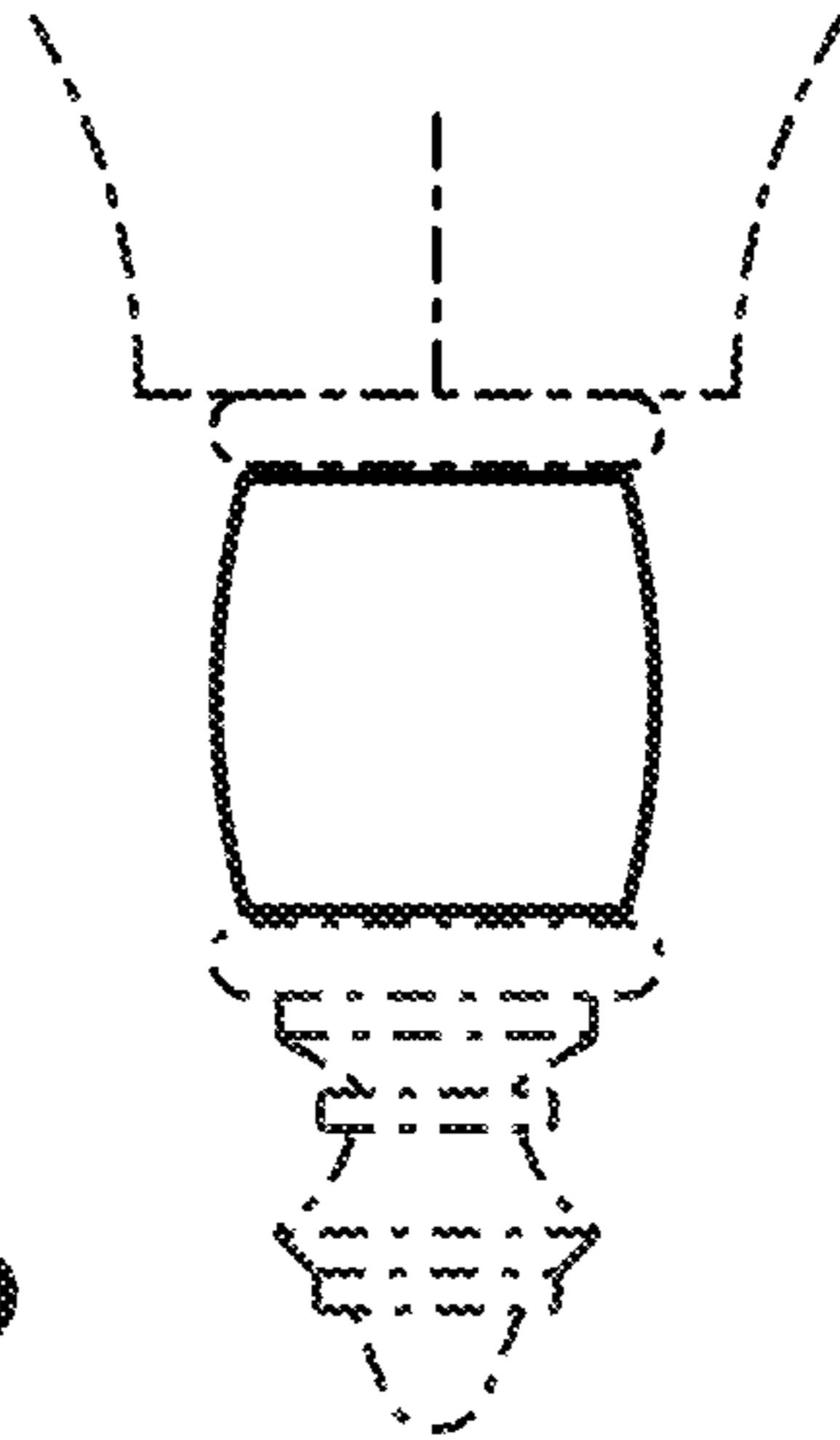


FIG. 2

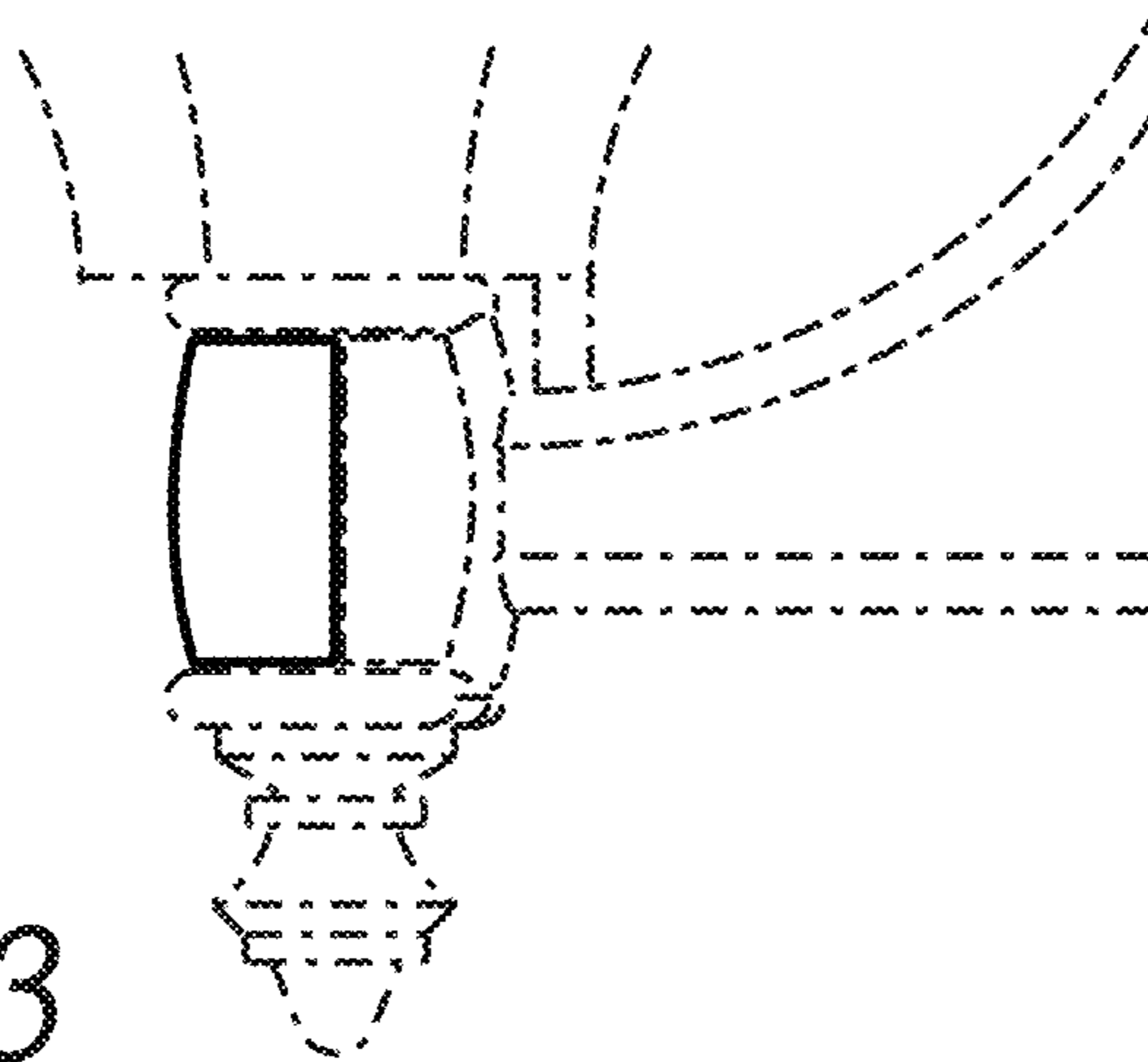


FIG. 3