



US00D702581S

(12) **United States Design Patent**  
**Christensen et al.**

(10) **Patent No.:** **US D702,581 S**  
(45) **Date of Patent:** **\*\* Apr. 15, 2014**

(54) **STAND BARRICADE**

(71) Applicant: **Off the Wall Products, LLC**, Salt Lake City, UT (US)

(72) Inventors: **Marc E. Christensen**, Salt Lake City, UT (US); **Dennis Kovach**, Wooster, OH (US)

(73) Assignee: **Off the Wall Products, LLC**, Salt Lake City, UT (US)

(\*\*) Term: **14 Years**

(21) Appl. No.: **29/447,178**

(22) Filed: **Mar. 1, 2013**

(51) **LOC (10) Cl.** ..... **10-05**

(52) **U.S. Cl.**  
USPC ..... **D10/113.3**

(58) **Field of Classification Search**  
USPC ..... D10/109, 113.1–113.4; 404/9–16  
See application file for complete search history.

(56) **References Cited**

U.S. PATENT DOCUMENTS

D60,735 S \* 3/1922 Rogers ..... D10/113.2  
5,115,343 A \* 5/1992 Bennett ..... 359/529  
D350,301 S \* 9/1994 McNally et al. .... D10/113.2  
5,729,215 A \* 3/1998 Jutras ..... 340/908.1

D411,810 S \* 7/1999 Stockman ..... D10/109.2  
6,349,667 B1 \* 2/2002 Rogers et al. .... 116/209  
7,922,420 B2 \* 4/2011 Christensen et al. .... 404/6  
2007/0022939 A1 \* 2/2007 Stokes ..... 116/63 P

\* cited by examiner

*Primary Examiner* — George D Kirschbaum

(74) *Attorney, Agent, or Firm* — Workman Nydegger

(57) **CLAIM**

The ornamental design for a stand barricade, as shown and described.

**DESCRIPTION**

FIG. 1 is a top perspective view of a stand barricade showing my new design;

FIG. 2 is a top perspective view thereof;

FIG. 3 is a front elevational view thereof;

FIG. 4 is a rear elevational view thereof;

FIG. 5 is a right side elevational view thereof;

FIG. 6 is a left side elevational view thereof;

FIG. 7 is a top plan view thereof; and

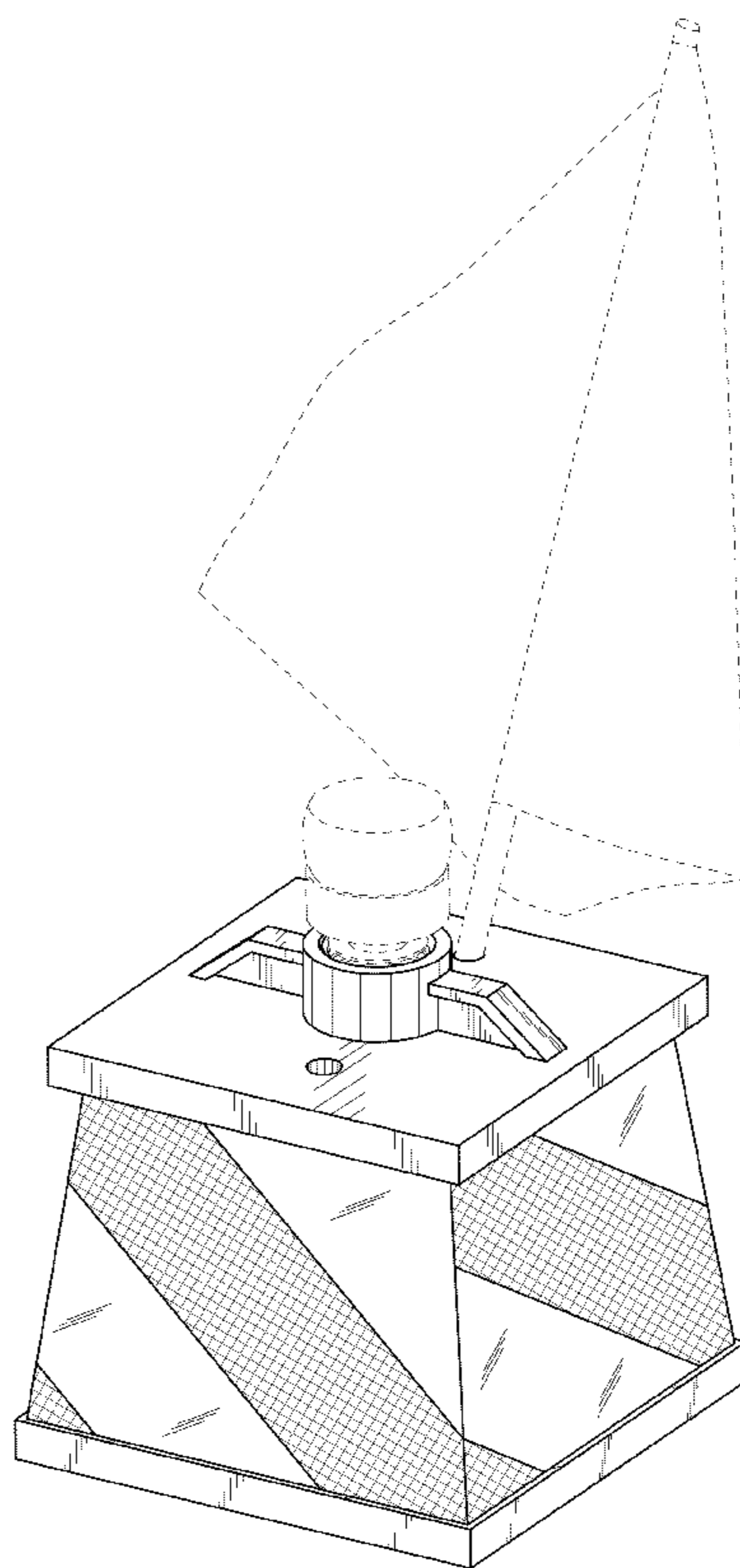
FIG. 8 is a bottom plan view thereof;

FIG. 9 is a bottom perspective view thereof; and,

FIG. 10 is an exemplary perspective view of two identical stand barricades thereof.

The broken line showing of a flag, light, and holes is included for the purpose of illustrating portions of the “article” and forms no part of the claimed design.

**1 Claim, 7 Drawing Sheets**



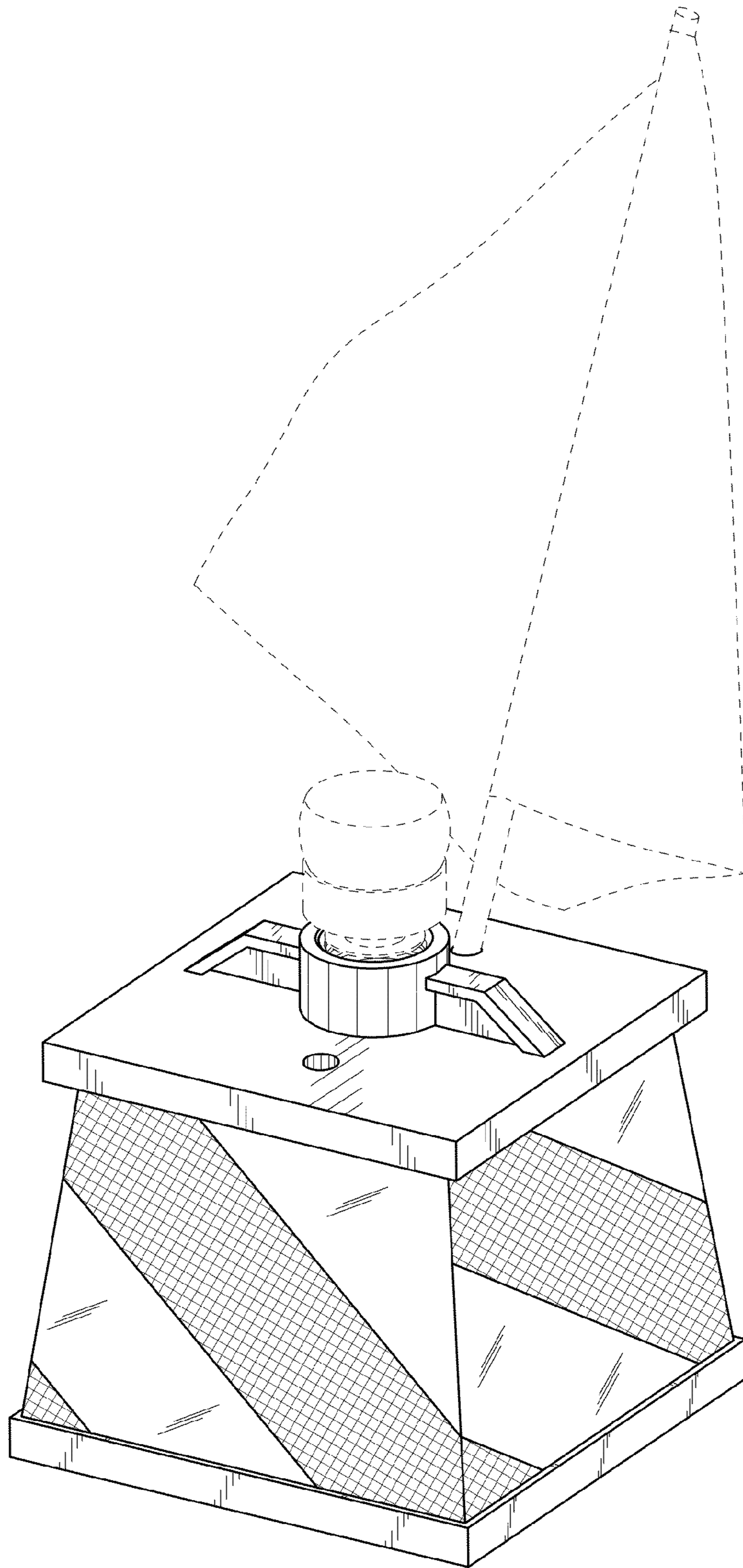


FIG. 1

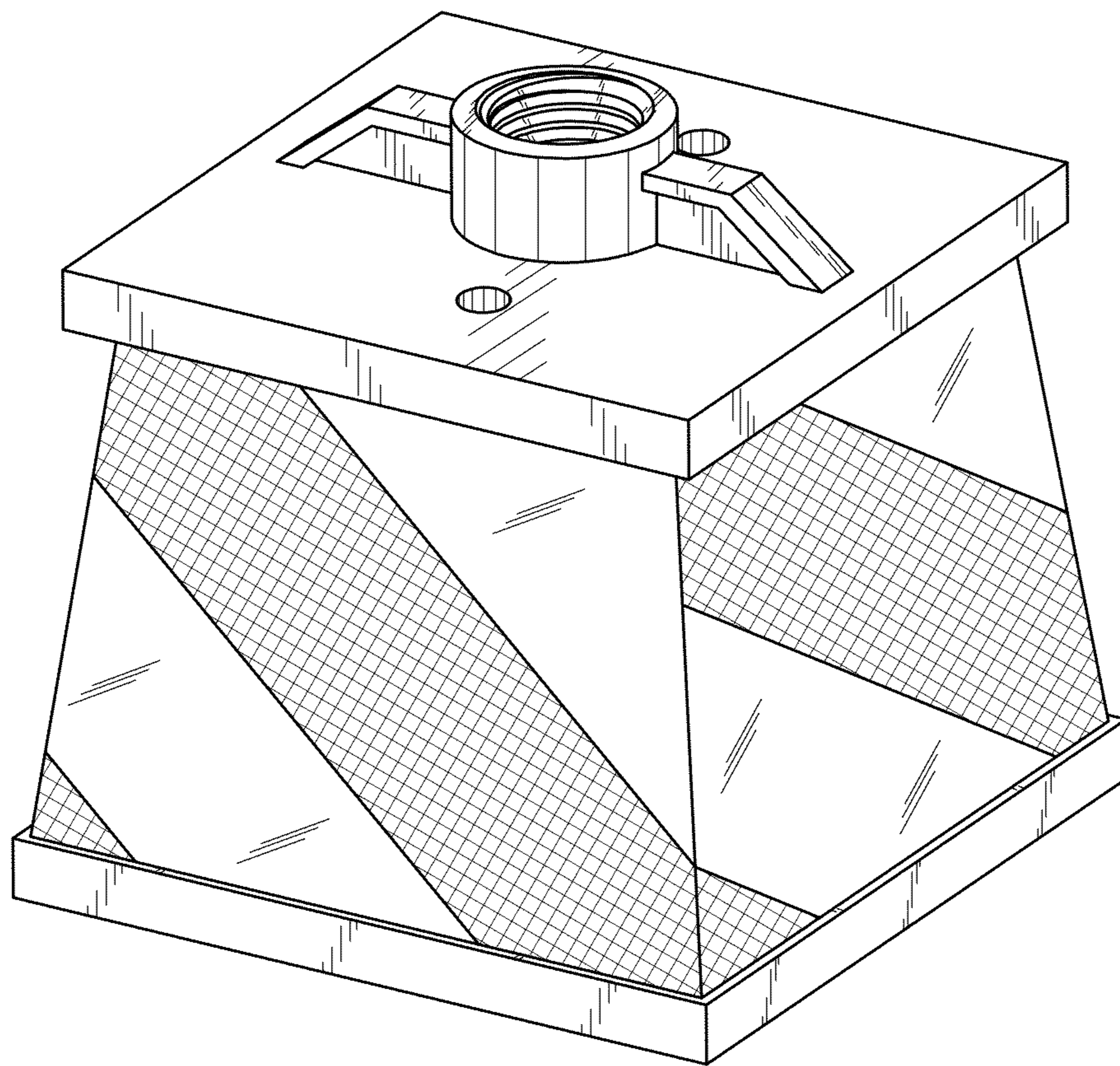


FIG. 2



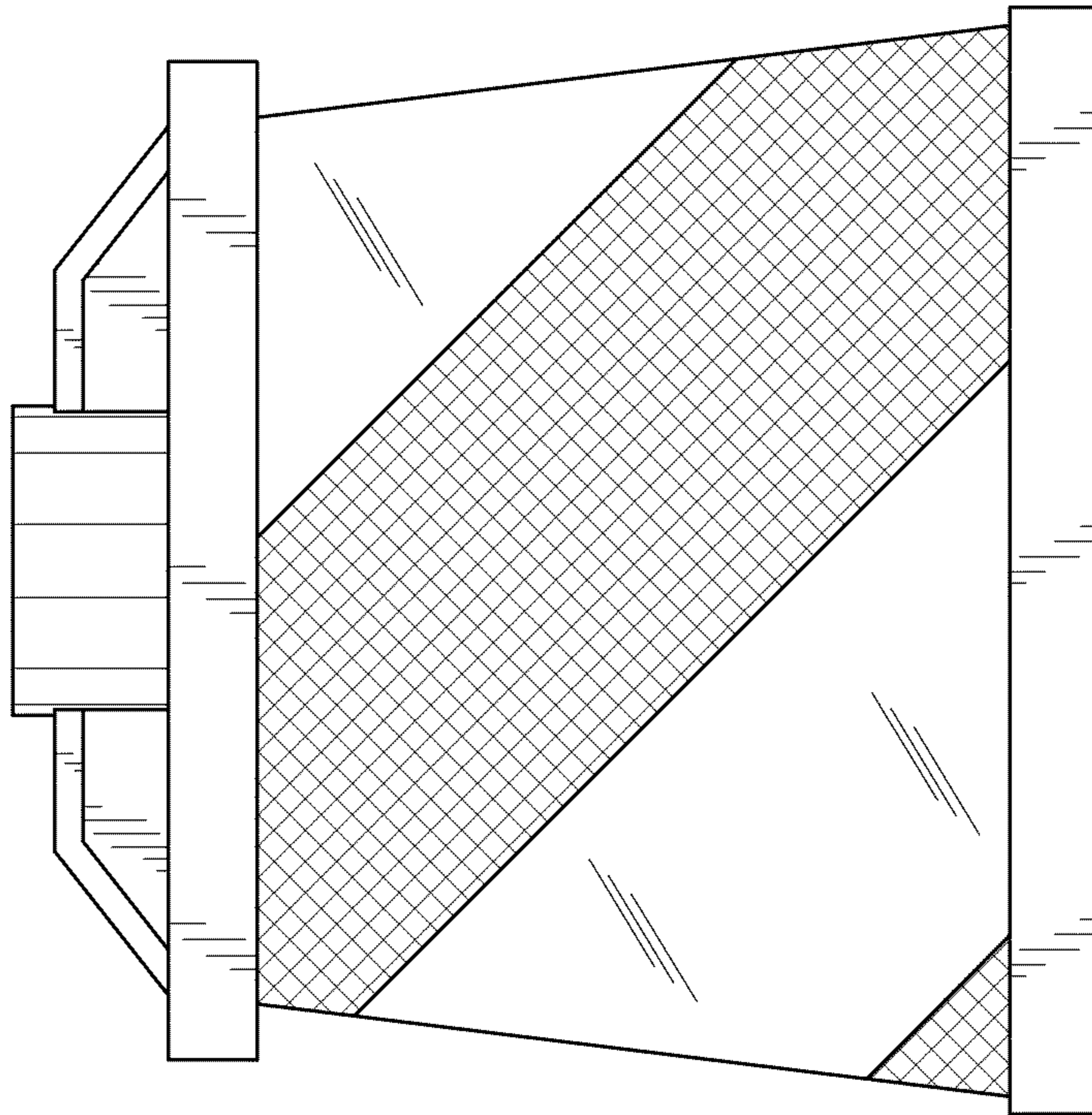


FIG. 4

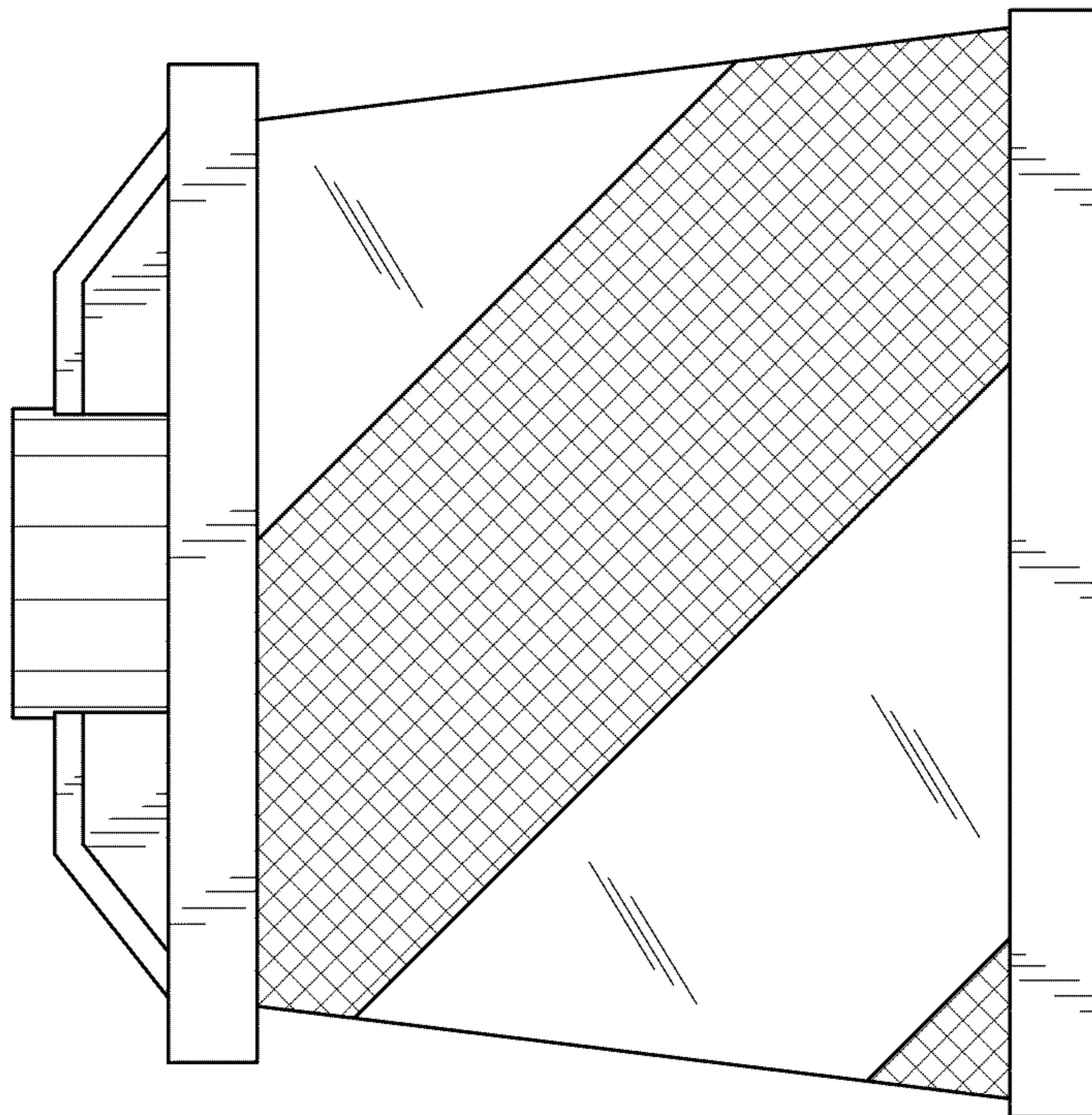


FIG. 3

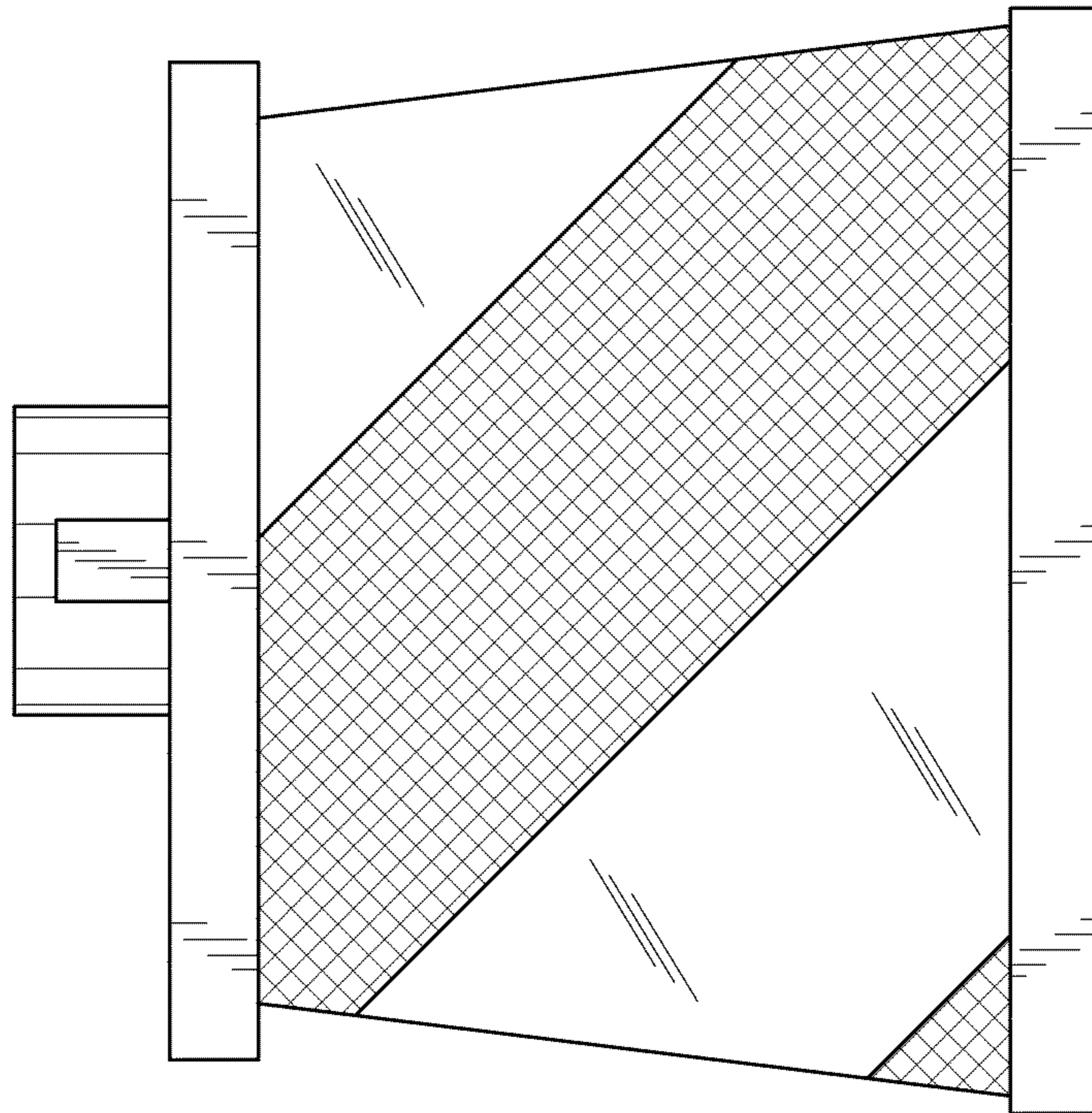


FIG. 5

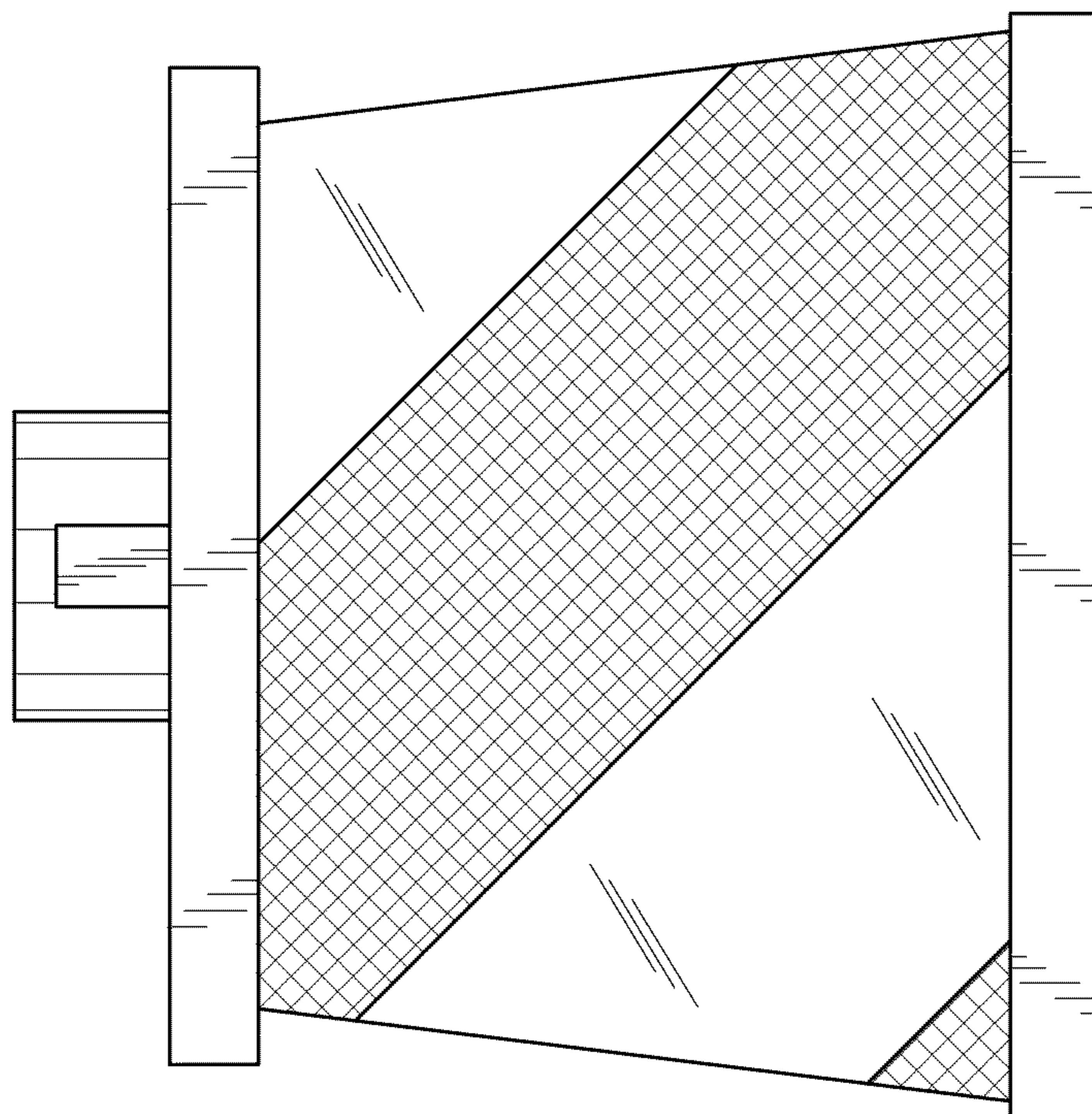
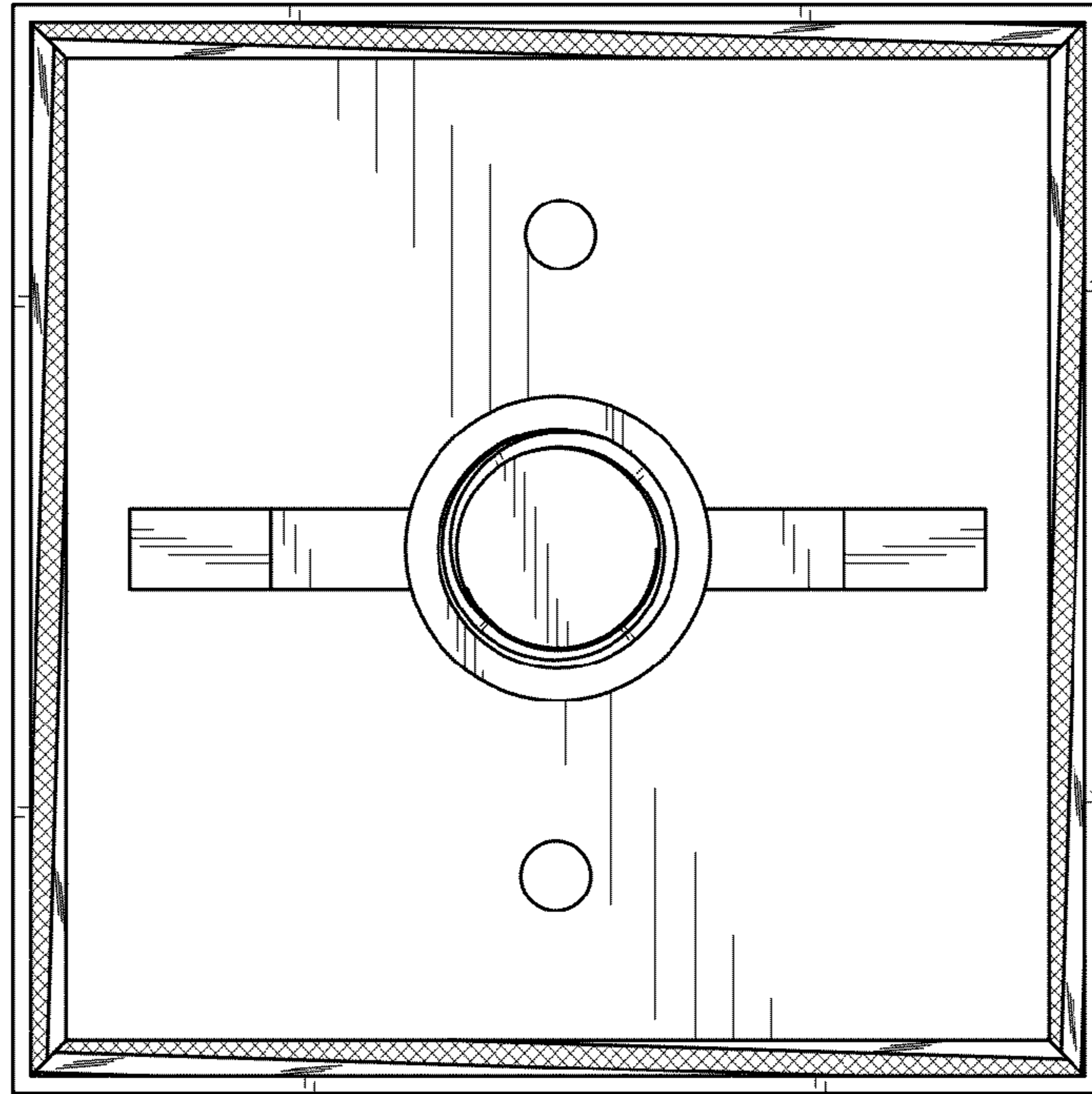
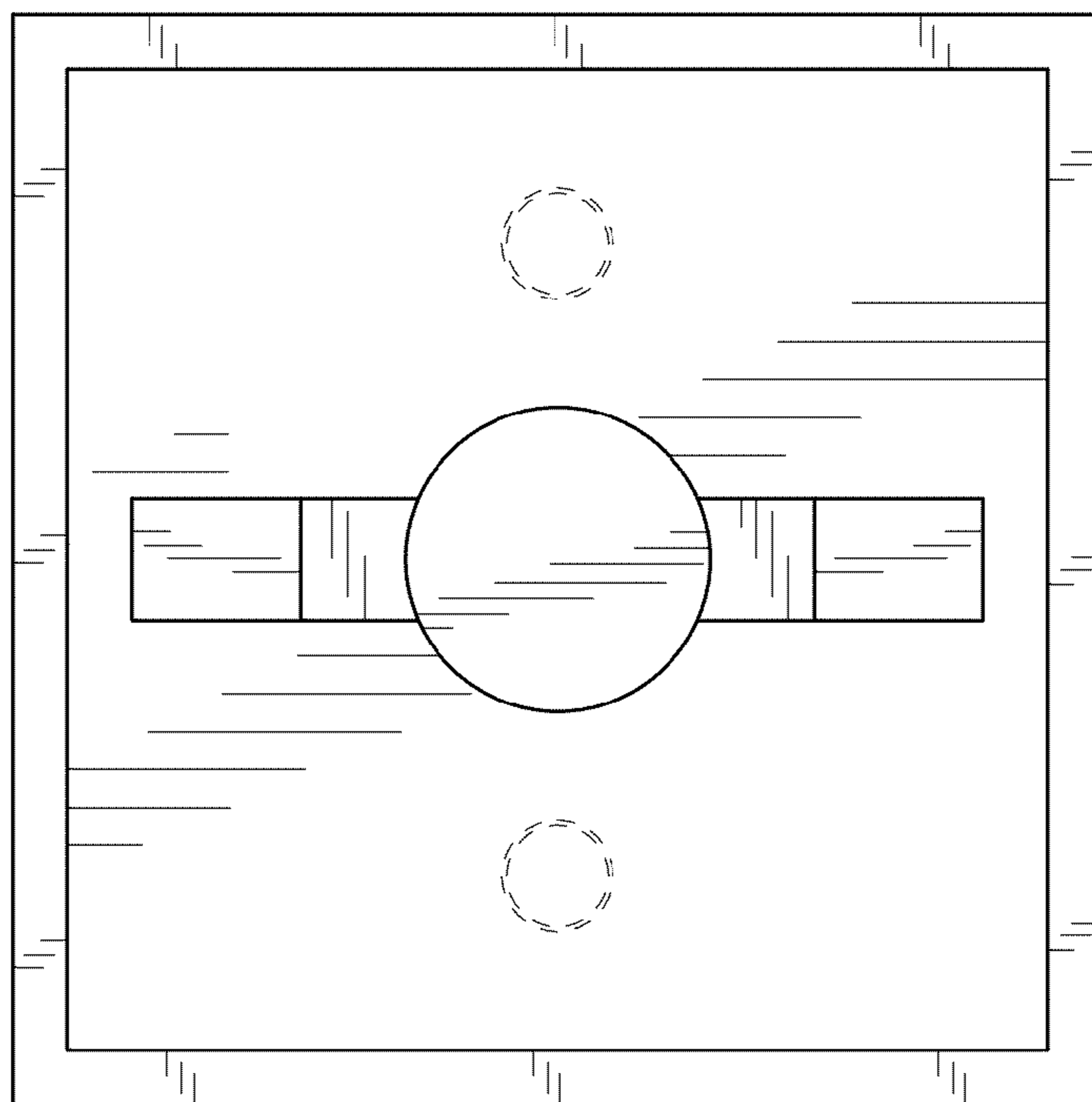


FIG. 6





**FIG. 7**



**FIG. 8**

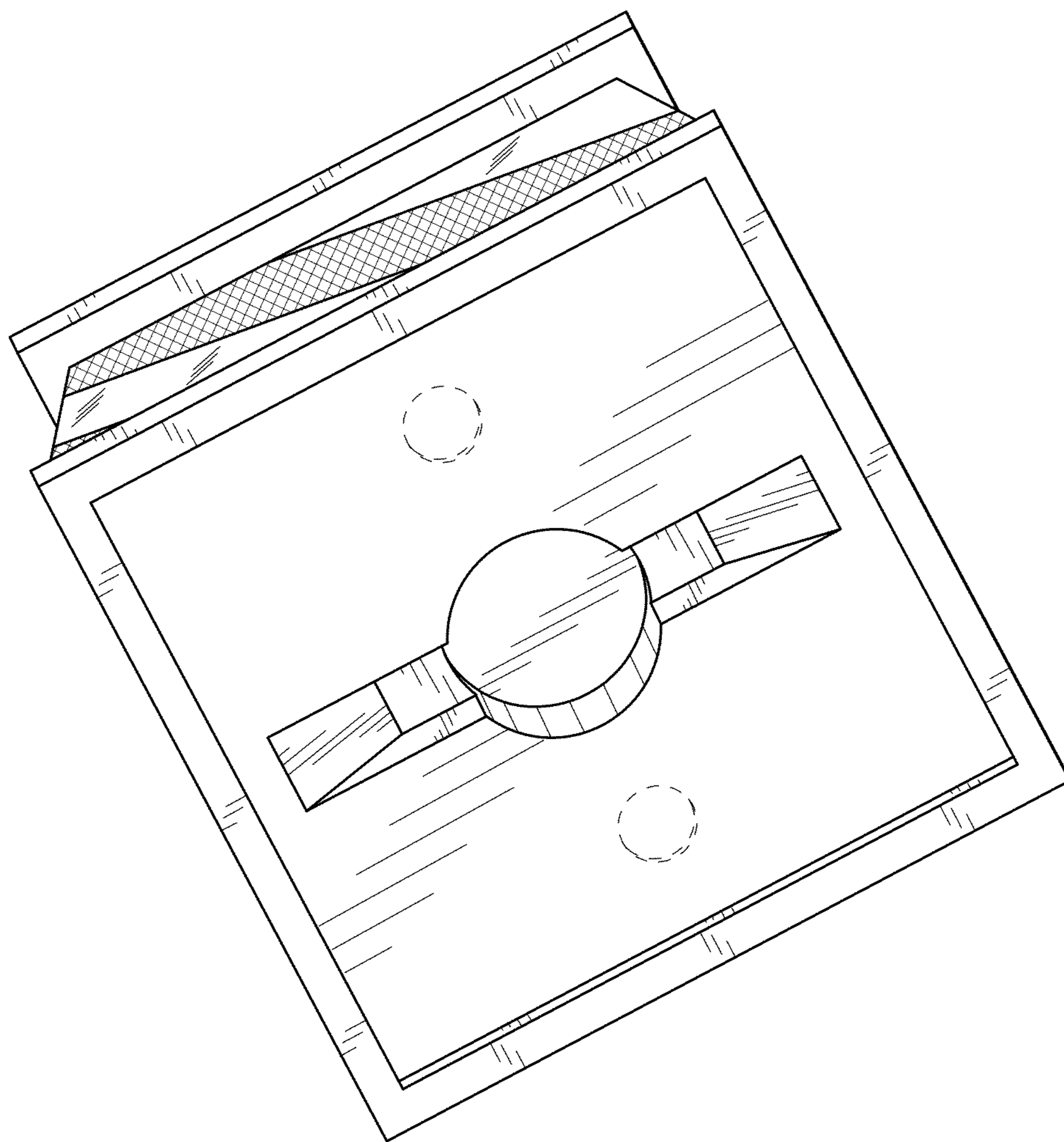


FIG. 9

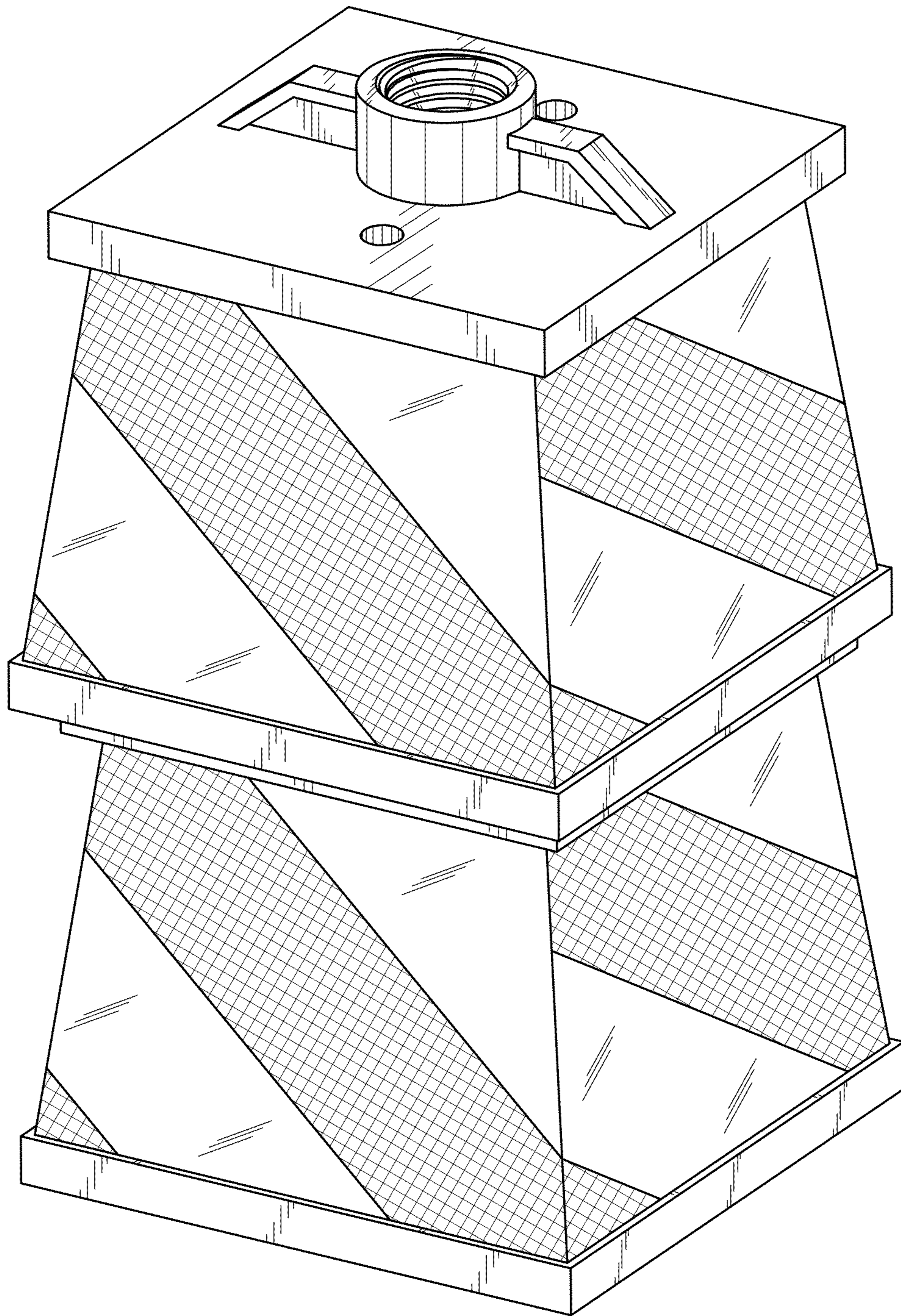


FIG. 10