



US00D702580S

(12) **United States Design Patent**
Andersen

(10) **Patent No.:** **US D702,580 S**

(45) **Date of Patent:** **** Apr. 15, 2014**

(54) **SIGNAL IDENTIFICATION MARKER**
(75) Inventor: **Arne-Leif Andersen**, Moss (NO)

Primary Examiner — George D Kirschbaum
(74) *Attorney, Agent, or Firm* — Sheridan Ross P.C.

(73) Assignee: **Assa Abloy Hospitality, Inc.**,
Richardson, TX (US)

(**) Term: **14 Years**

(57) **CLAIM**
The ornamental design for a signal identification marker, as shown and described.

(21) Appl. No.: **29/425,481**

(22) Filed: **Jun. 22, 2012**

(51) **LOC (10) Cl.** **10-05**

(52) **U.S. Cl.**
USPC **D10/109.1**

(58) **Field of Classification Search**
USPC D10/109.1, 109.2, 113.1; D14/489
See application file for complete search history.

DESCRIPTION

FIG. 1 is a perspective view of a signal identification marker; FIG. 2 is a second perspective view thereof; FIG. 3 is a top elevational view thereof; FIG. 4 is a front plan view thereof; FIG. 5 is a right side elevational view thereof; FIG. 6 is a back plan view thereof; and, FIG. 7 is a bottom elevational view thereof. The broken line showing of a door is included for the purpose of illustrating portions of the “article” and forms no part of the claimed design.

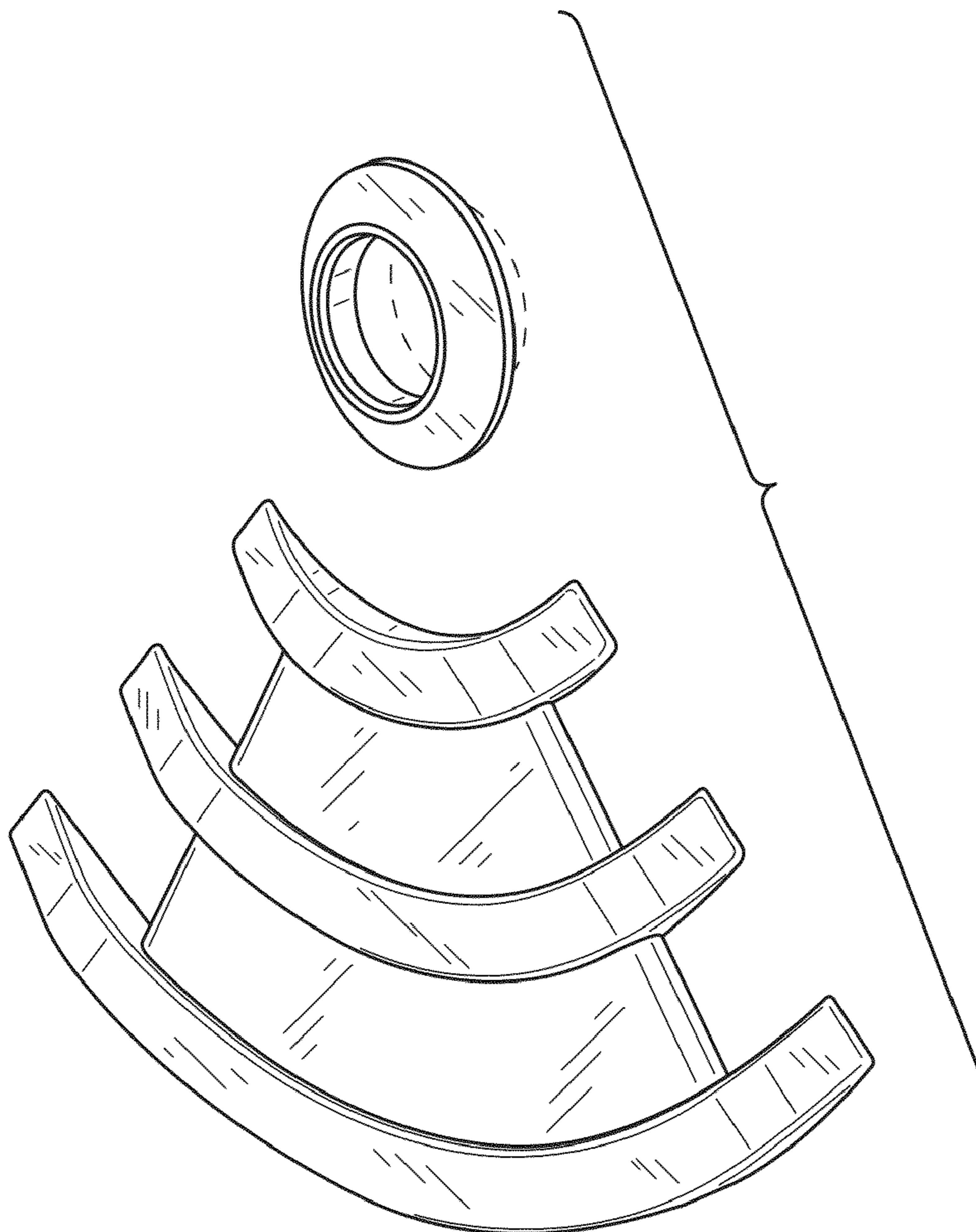
(56) **References Cited**

PUBLICATIONS

Blackcoffee, 1000 Icons, Symbols + Pictograms, 2006 Rockport Publishing, p. 109.*

* cited by examiner

1 Claim, 4 Drawing Sheets



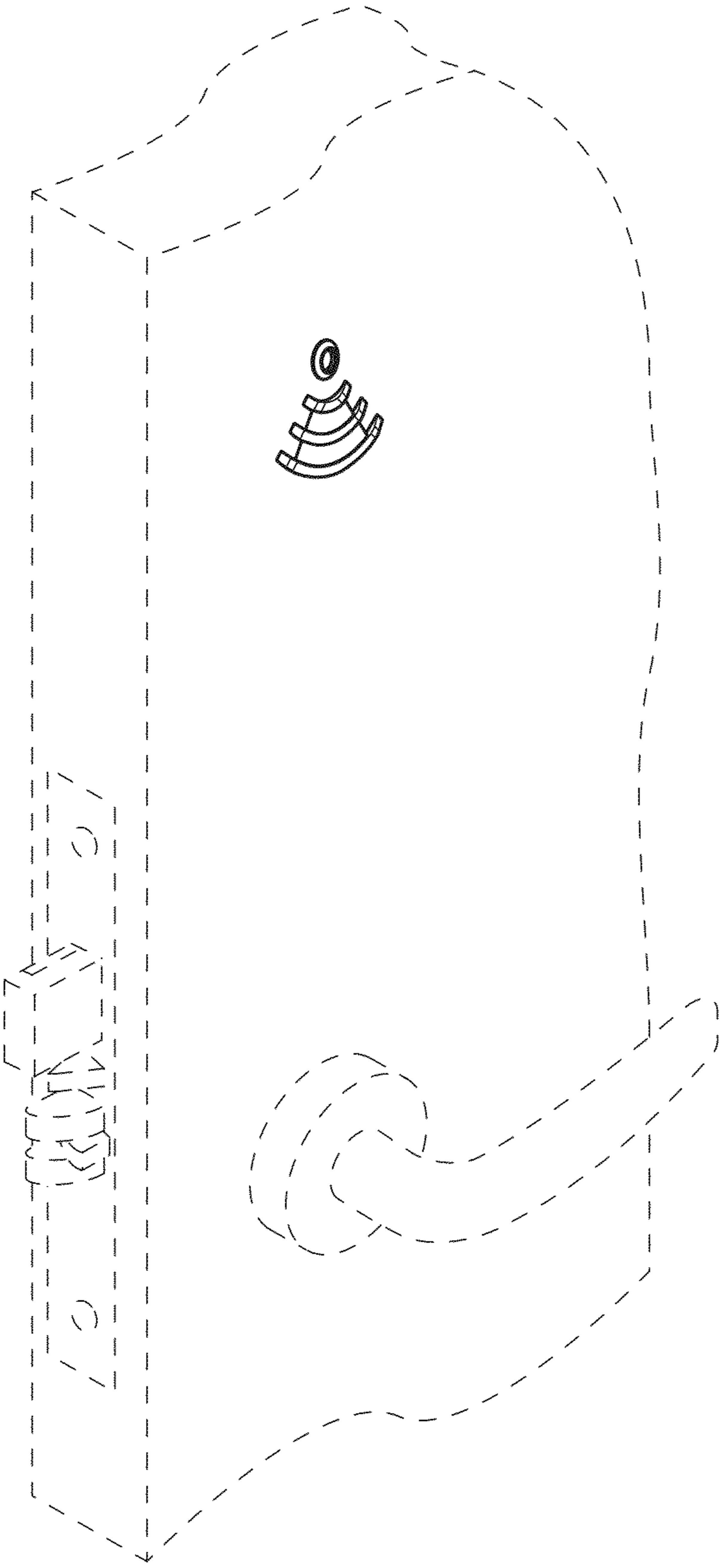


FIG.1

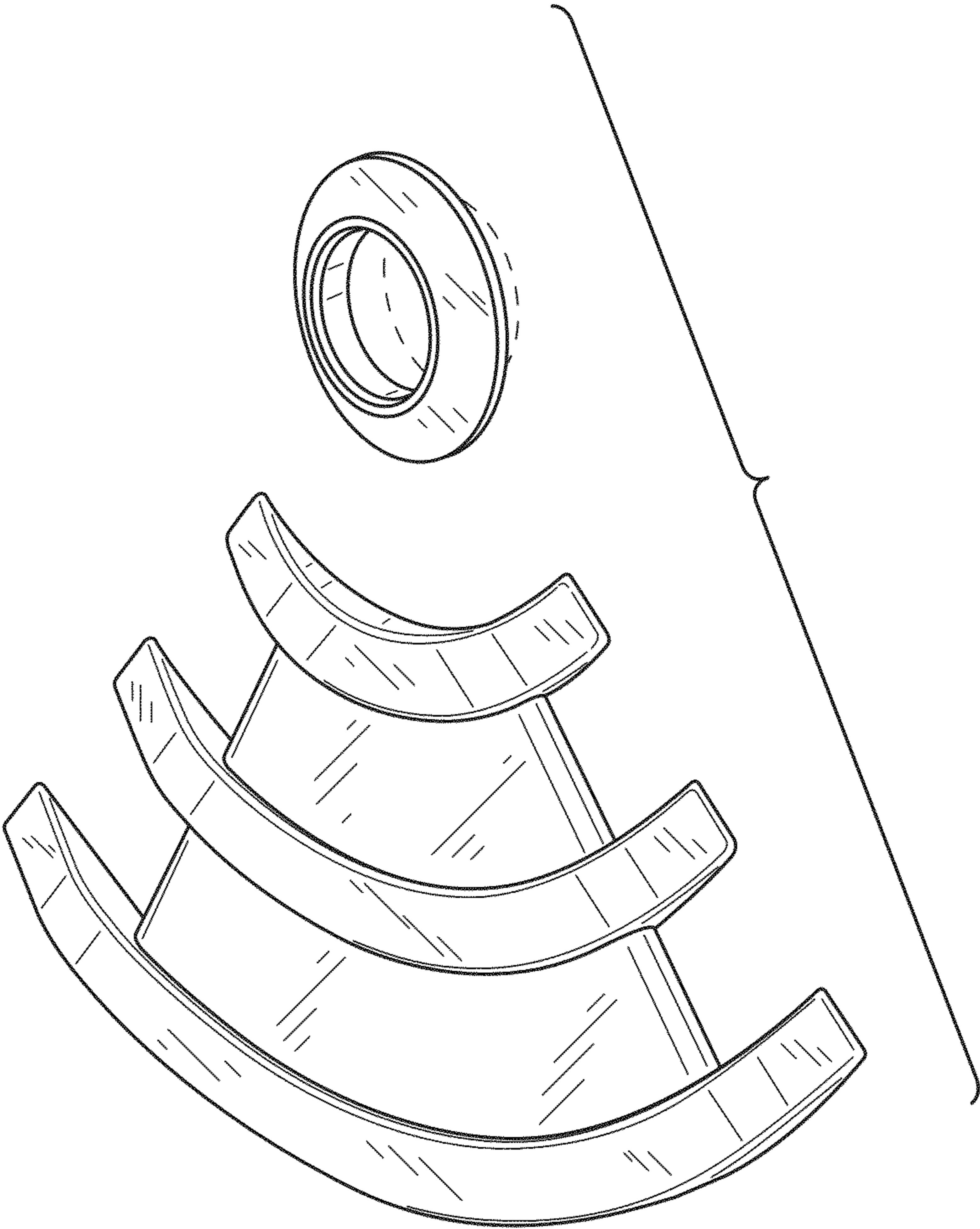


FIG.2



FIG.3

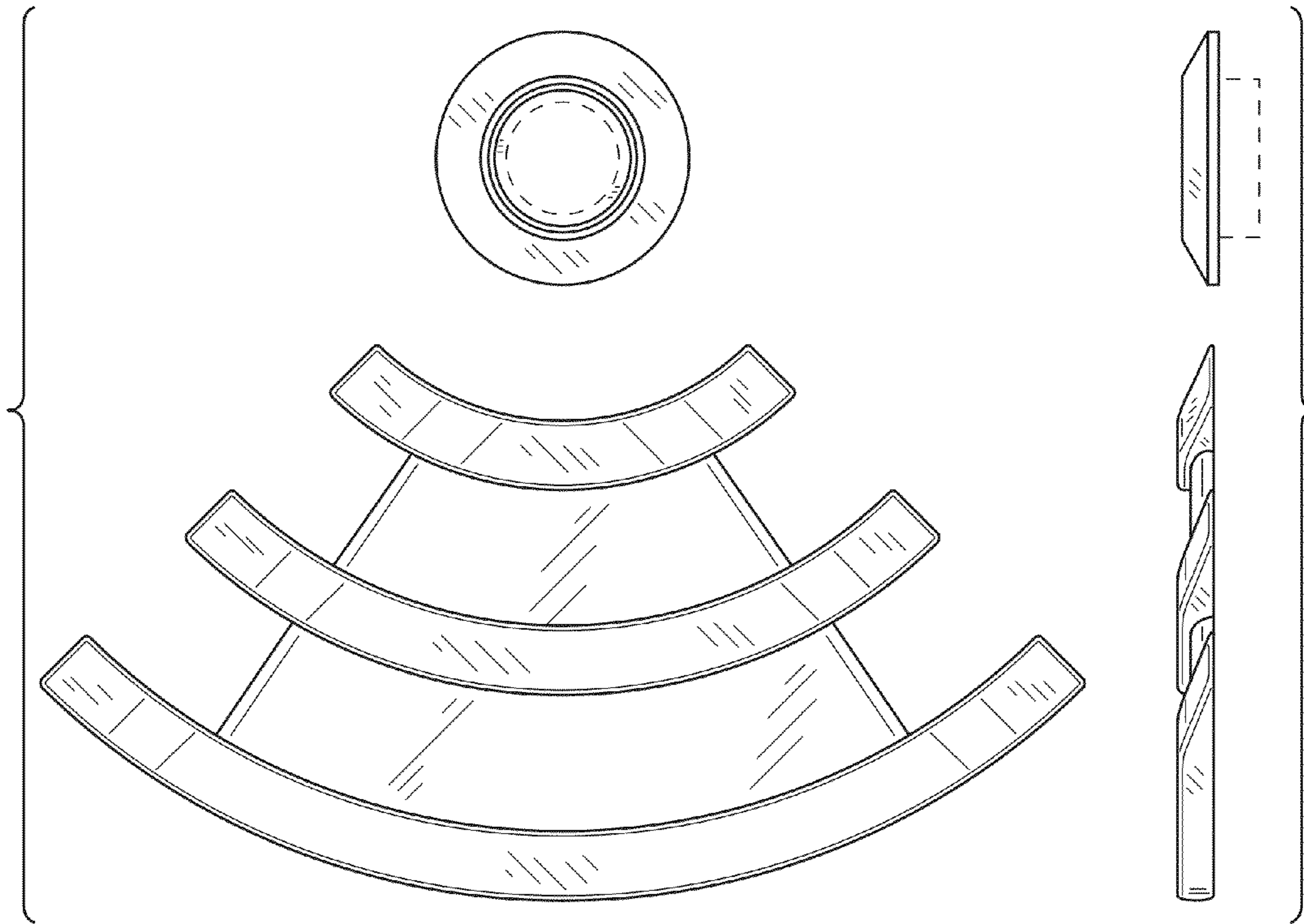


FIG.4

FIG.5

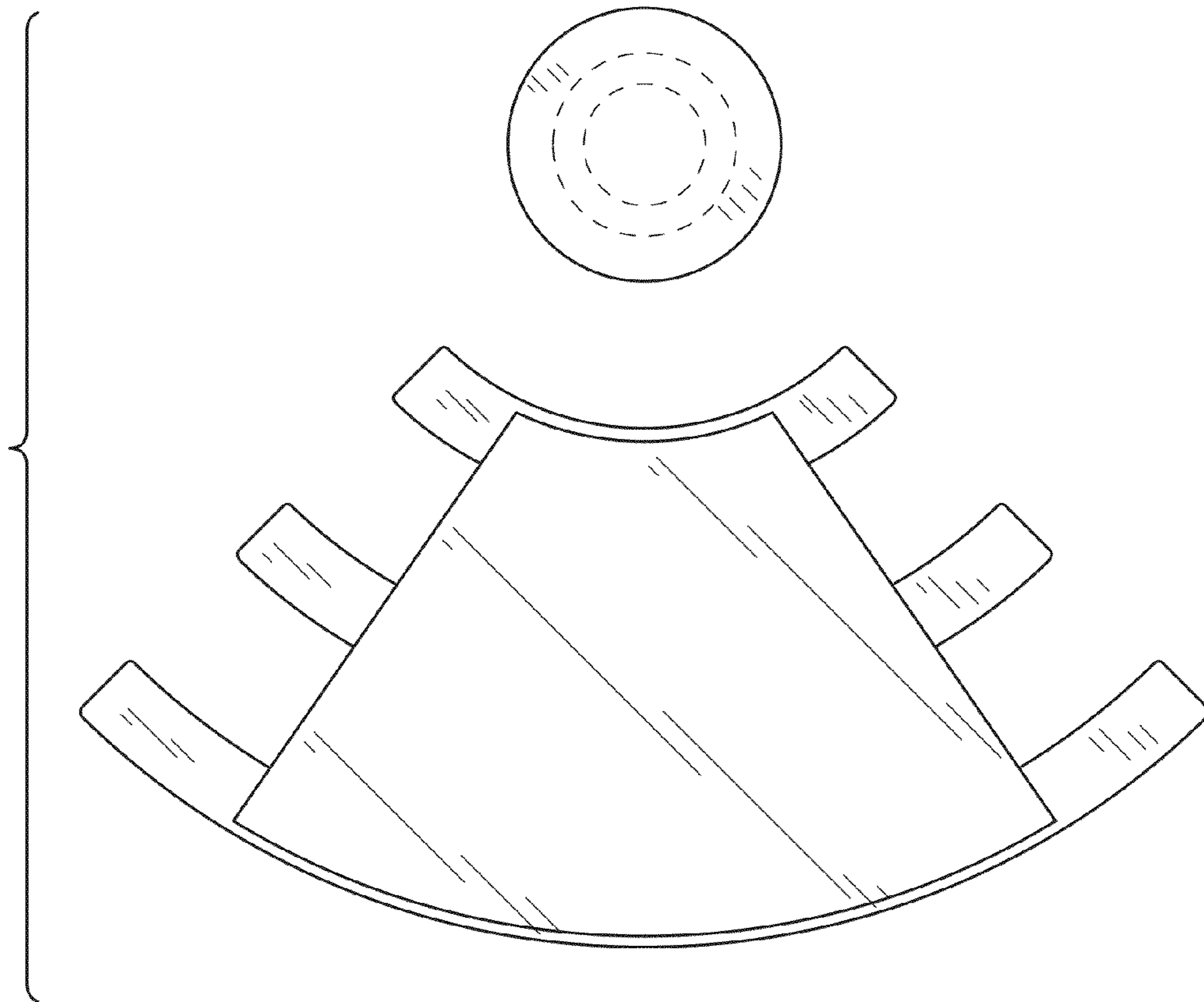


FIG. 6

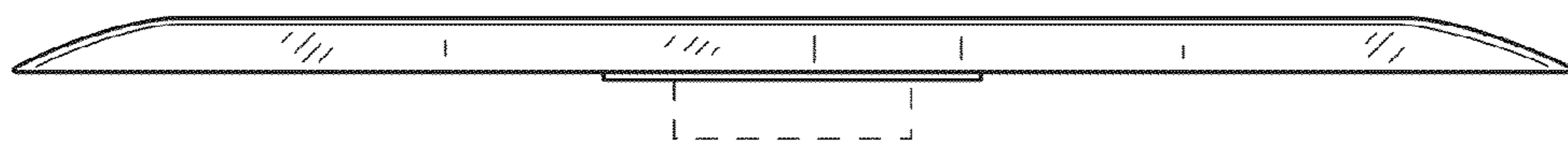


FIG. 7