



US00D702577S

(12) **United States Design Patent**
Saikawa et al.

(10) **Patent No.:** **US D702,577 S**
(45) **Date of Patent:** **** Apr. 15, 2014**

(54) **OPERATION BUTTON FOR ELEVATOR**

(75) Inventors: **Yoshinori Saikawa**, Tokyo (JP);
Toshihisa Ogura, Tokyo (JP); **Eiji Yuasa**, Tokyo (JP)

(73) Assignee: **Mitsubishi Electric Corporation**,
Tokyo (JP)

(**) Term: **14 Years**

(21) Appl. No.: **29/403,846**

(22) Filed: **Oct. 12, 2011**

(30) **Foreign Application Priority Data**

Apr. 13, 2011 (JP) D2011-008477

(51) **LOC (10) Cl.** **10-05**

(52) **U.S. Cl.**
USPC **D10/108**; D13/171

(58) **Field of Classification Search**
USPC D10/108; D21/812; 340/474; 200/520,
200/341; D13/158, 171, 174; 187/389-391,
187/396-397, 380, 390

See application file for complete search history.

(56) **References Cited**

U.S. PATENT DOCUMENTS

1,583,507 A 5/1926 Van Bloem
1,859,515 A * 5/1932 Kageyama 340/474
D301,136 S * 5/1989 Saito D13/171
5,390,766 A 2/1995 Martin
D364,380 S 11/1995 Cunningham
D446,240 S 8/2001 Harvey
D447,140 S 8/2001 Mittler
D533,144 S * 12/2006 Asada D13/171

7,152,715 B2 * 12/2006 Meyer 187/391
D598,870 S * 8/2009 Asada D13/171
D613,254 S * 4/2010 Tsuduki D13/158
D614,150 S 4/2010 Crites
D631,929 S * 2/2011 Doone et al. D21/812
D663,640 S 7/2012 Saikawa et al.
2006/0131153 A1 * 6/2006 Asada 200/341
2008/0128255 A1 * 6/2008 Villain et al. 200/520

OTHER PUBLICATIONS

Korean Office Action dated Aug. 10, 2012 issued by the Korean Intellectual Property Office in counterpart Korean Patent Application No. 30-2011-0042141.

Korean Office Action dated Aug. 9, 2012 issued by the Korean Intellectual Property Office in related Korean Patent Application No. 30-2011-0042144.

Notice of Allowance dated Mar. 13, 2012 issued in related U.S. Appl. No. 29/403,852.

* cited by examiner

Primary Examiner — George D Kirschbaum

(74) *Attorney, Agent, or Firm* — Sughrue Mion, PLLC

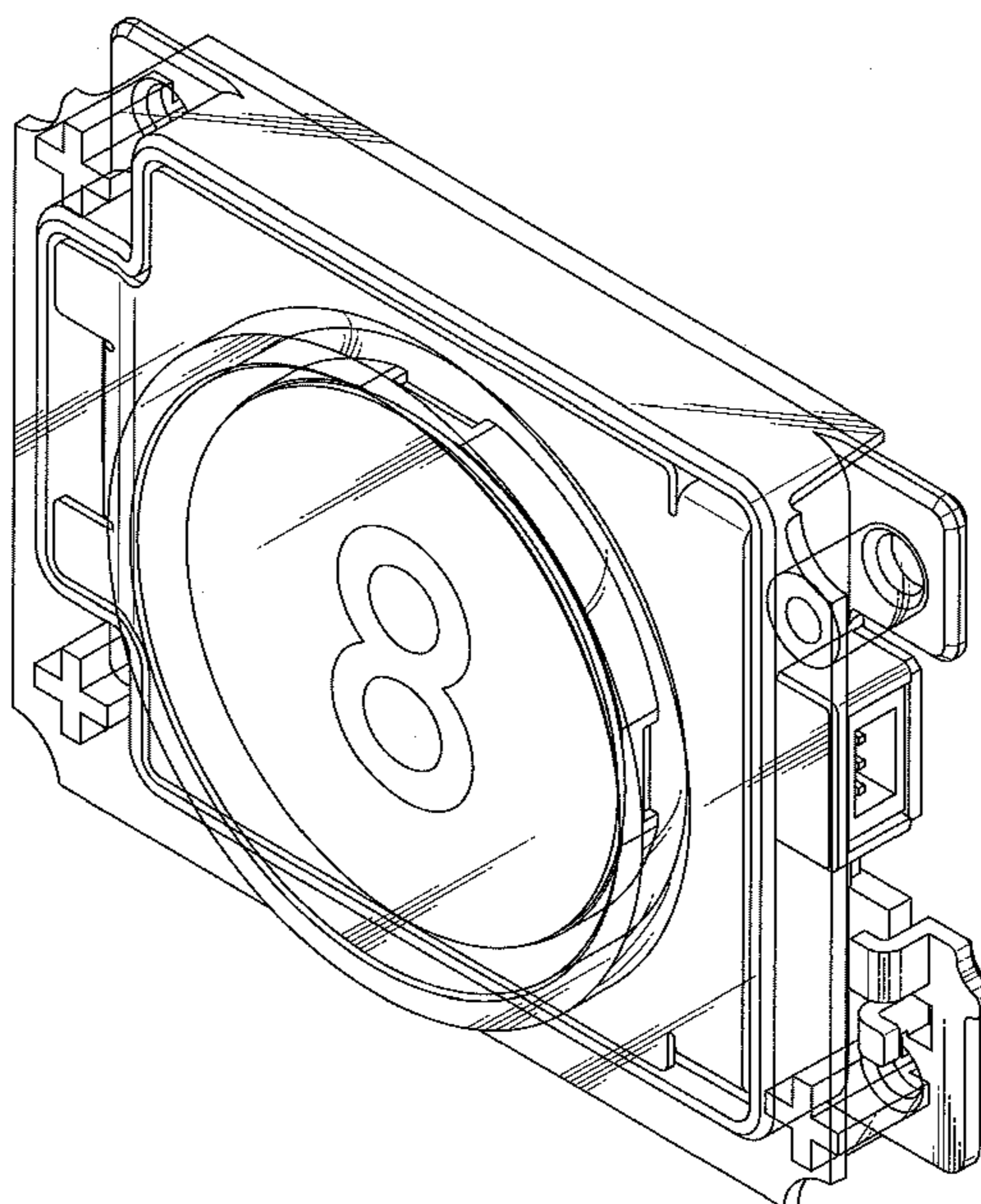
(57) **CLAIM**

The ornamental design for an operation button for elevator, as shown and described.

DESCRIPTION

FIG. 1 is a perspective view of front, right and top plan side of an operation button for elevator showing our new design;
FIG. 2 is a front view thereof;
FIG. 3 is a rear view thereof;
FIG. 4 is a top plan view thereof;
FIG. 5 is a bottom view thereof;
FIG. 6 is a left side view thereof; and,
FIG. 7 is a right side view thereof.

1 Claim, 5 Drawing Sheets



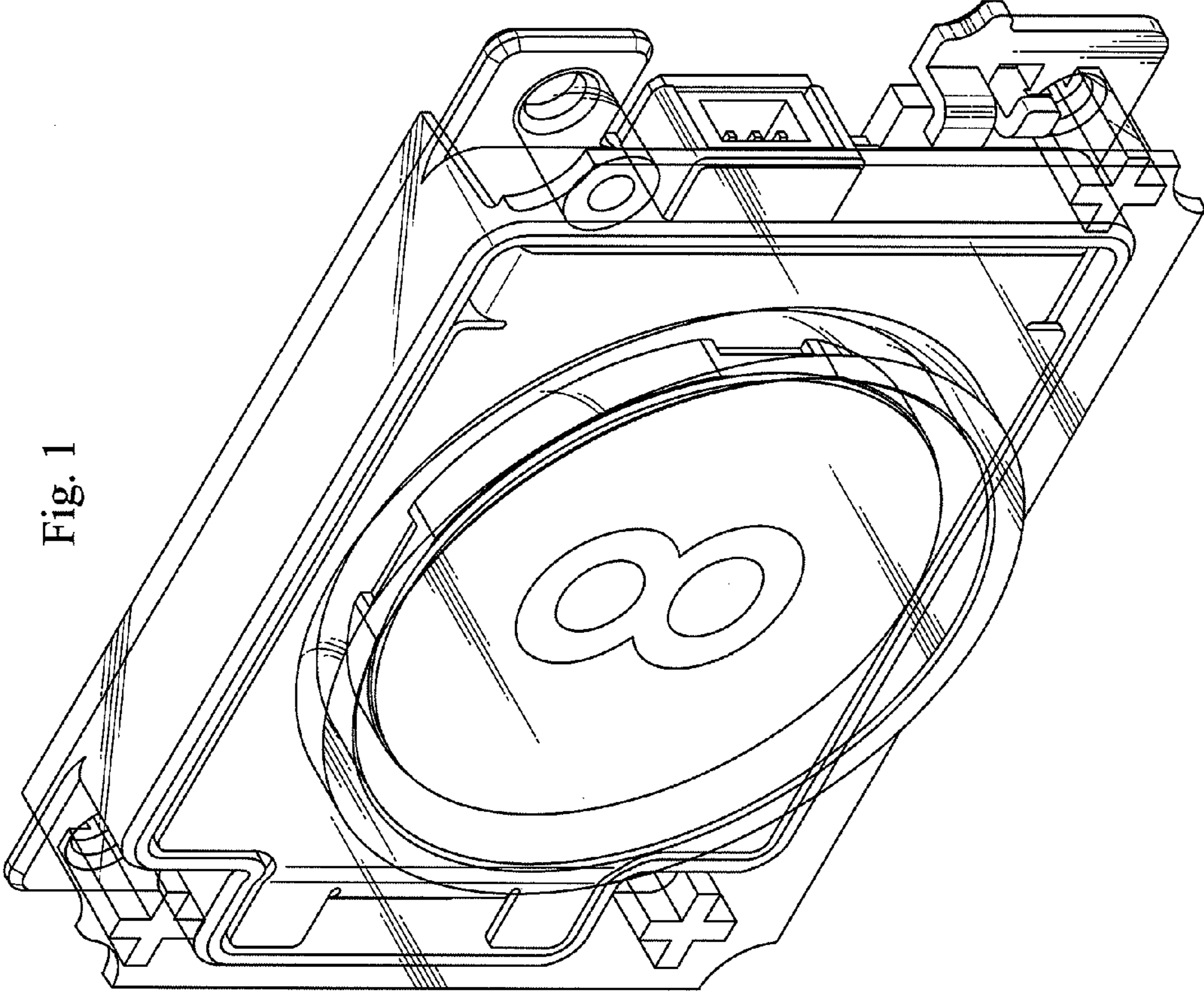


Fig. 1

Fig. 2

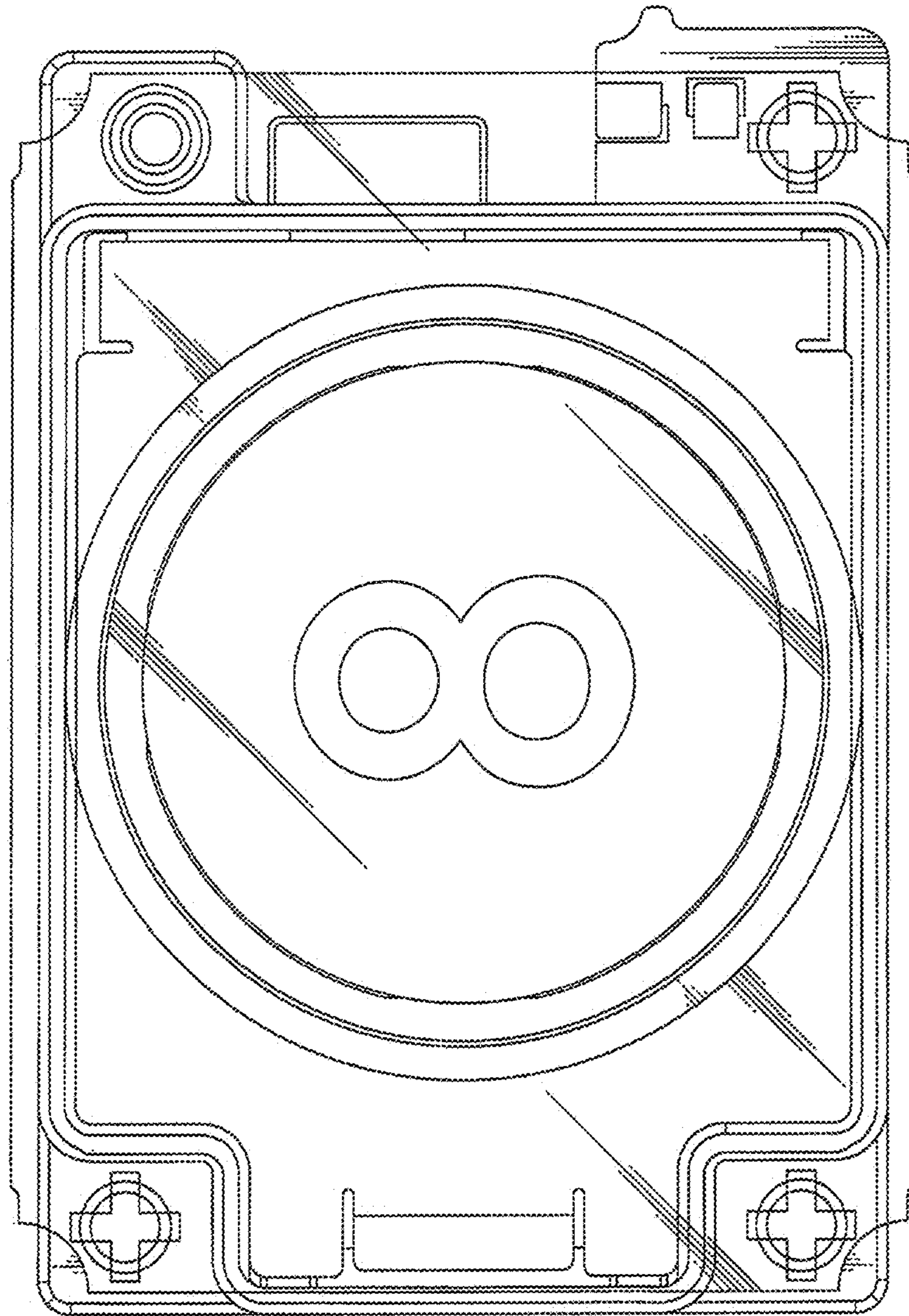


Fig. 3

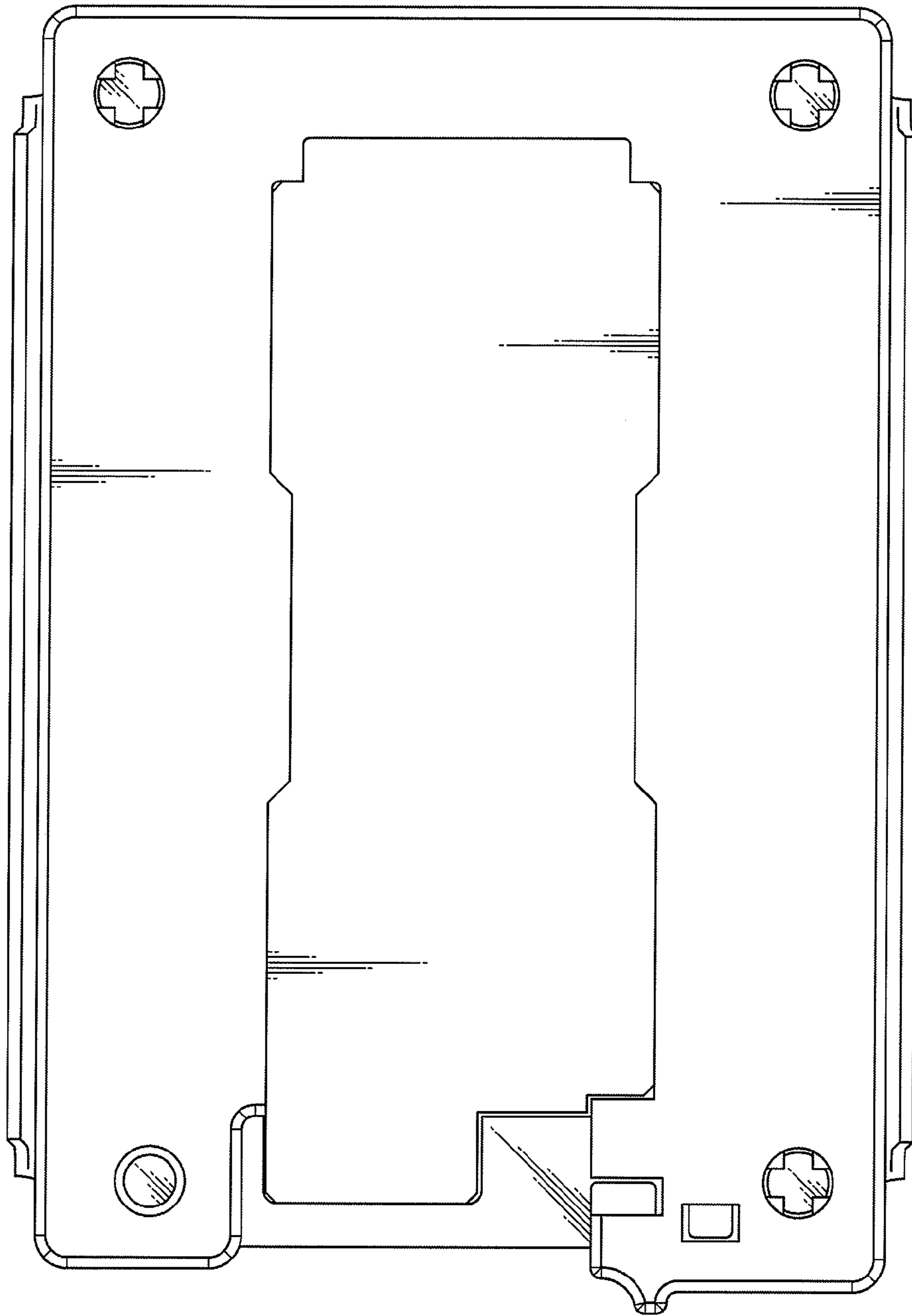


Fig. 4

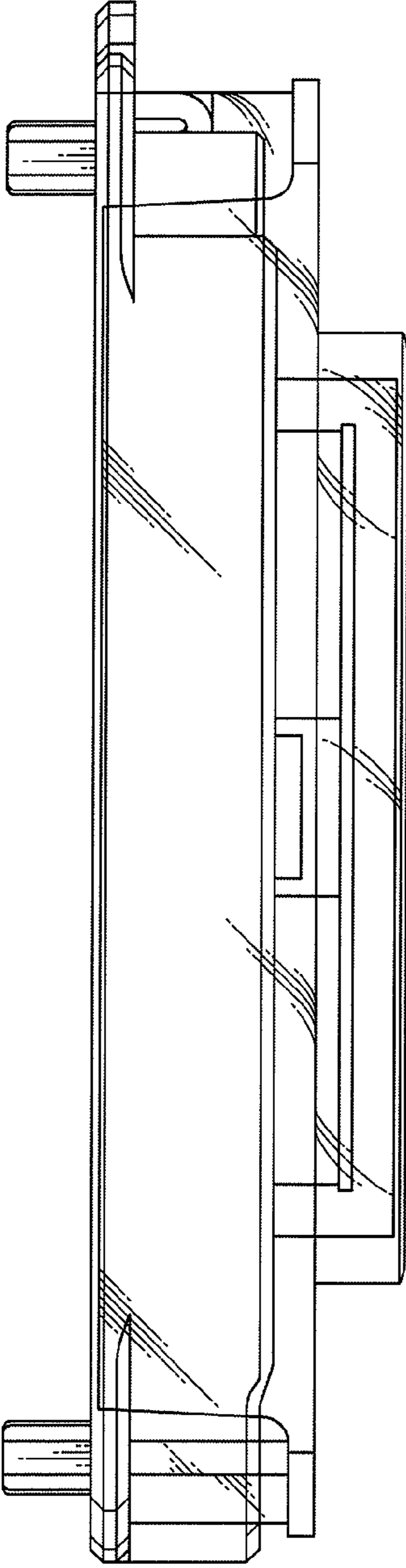


Fig. 5

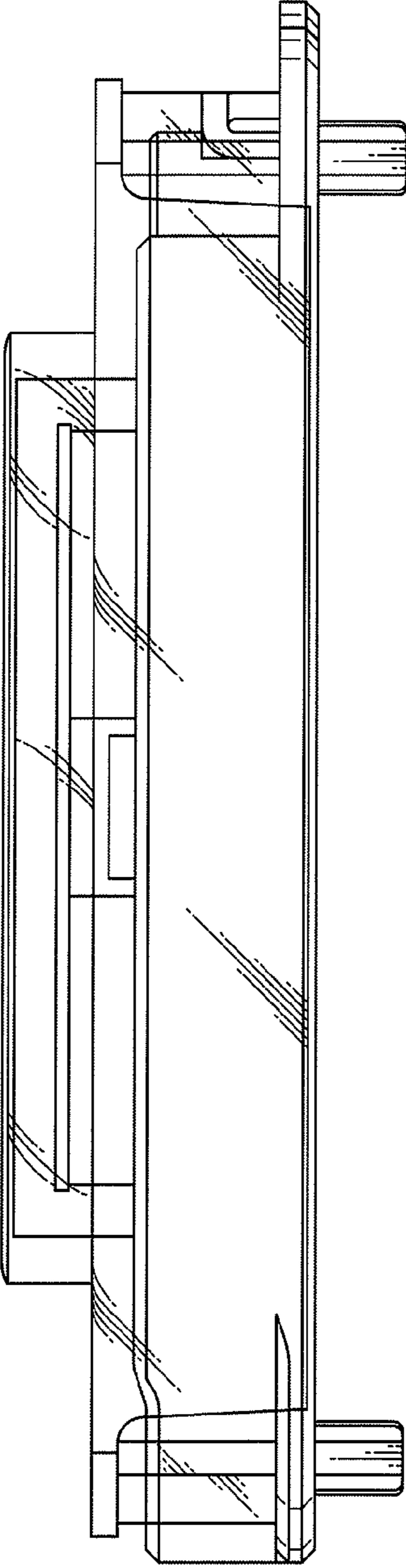


Fig. 7

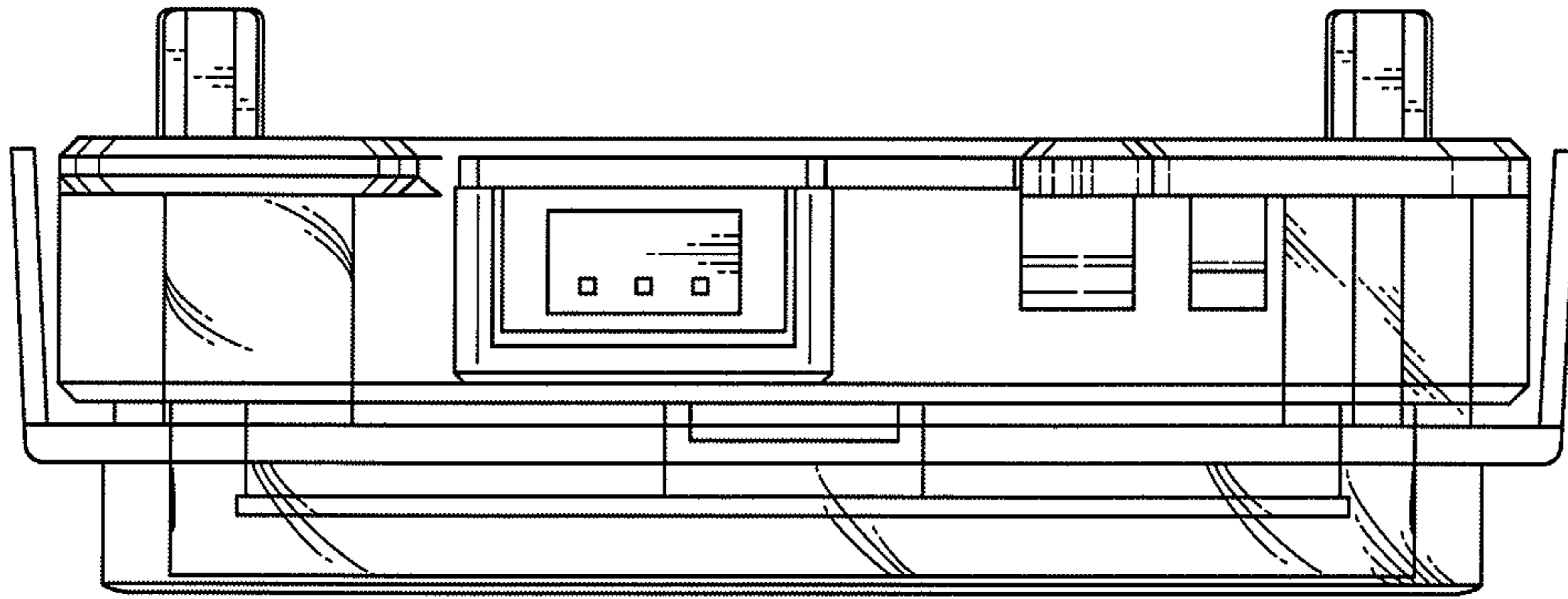


Fig. 6

