



US00D702576S

(12) **United States Design Patent**
McKinney et al.

(10) **Patent No.:** **US D702,576 S**

(45) **Date of Patent:** **** Apr. 15, 2014**

(54) **ALARM UNIT ASSEMBLY, ALARM UNIT,
AND CONNECTOR**

(71) Applicant: **InVue Security Products Inc.,**
Charlotte, NC (US)

(72) Inventors: **Larry T. McKinney**, Huntersville, NC
(US); **Jeffrey A. Grant**, Charlotte, NC
(US); **Robert Schultz**, Charlotte, NC
(US)

(73) Assignee: **InVue Security Products Inc.,**
Charlotte, NC (US)

(**) Term: **14 Years**

(21) Appl. No.: **29/460,867**

(22) Filed: **Jul. 16, 2013**

Related U.S. Application Data

(63) Continuation-in-part of application No. 29/457,657,
filed on Jun. 12, 2013.

(51) **LOC (10) Cl.** **10-05**

(52) **U.S. Cl.**
USPC **D10/106.1**

(58) **Field of Classification Search**
USPC D10/106.1-106.5, 104.1, 106.9;
340/521, 540-545, 555, 558, 571-573
See application file for complete search history.

(56) **References Cited**

U.S. PATENT DOCUMENTS

D226,508	S	*	3/1973	Gilson	D10/106.4
D253,753	S	*	12/1979	Poesl	D10/106.2
D308,646	S	*	6/1990	Grilk	D10/81
5,281,878	A	*	1/1994	Schaeffer	310/91
D369,566	S	*	5/1996	Poon	D10/106.2
5,915,580	A	*	6/1999	Melk	215/386
D682,131	S	*	5/2013	Bhate et al.	D10/106.6

OTHER PUBLICATIONS

Multiplex J-Plug Brochure, 2012 (available at http://security.multiplex.com/pdf/Multiplex_J-Plugs_Brochure_2012_EF.pdf).

* cited by examiner

Primary Examiner — George D Kirschbaum
(74) *Attorney, Agent, or Firm* — InVue Security Product Inc.

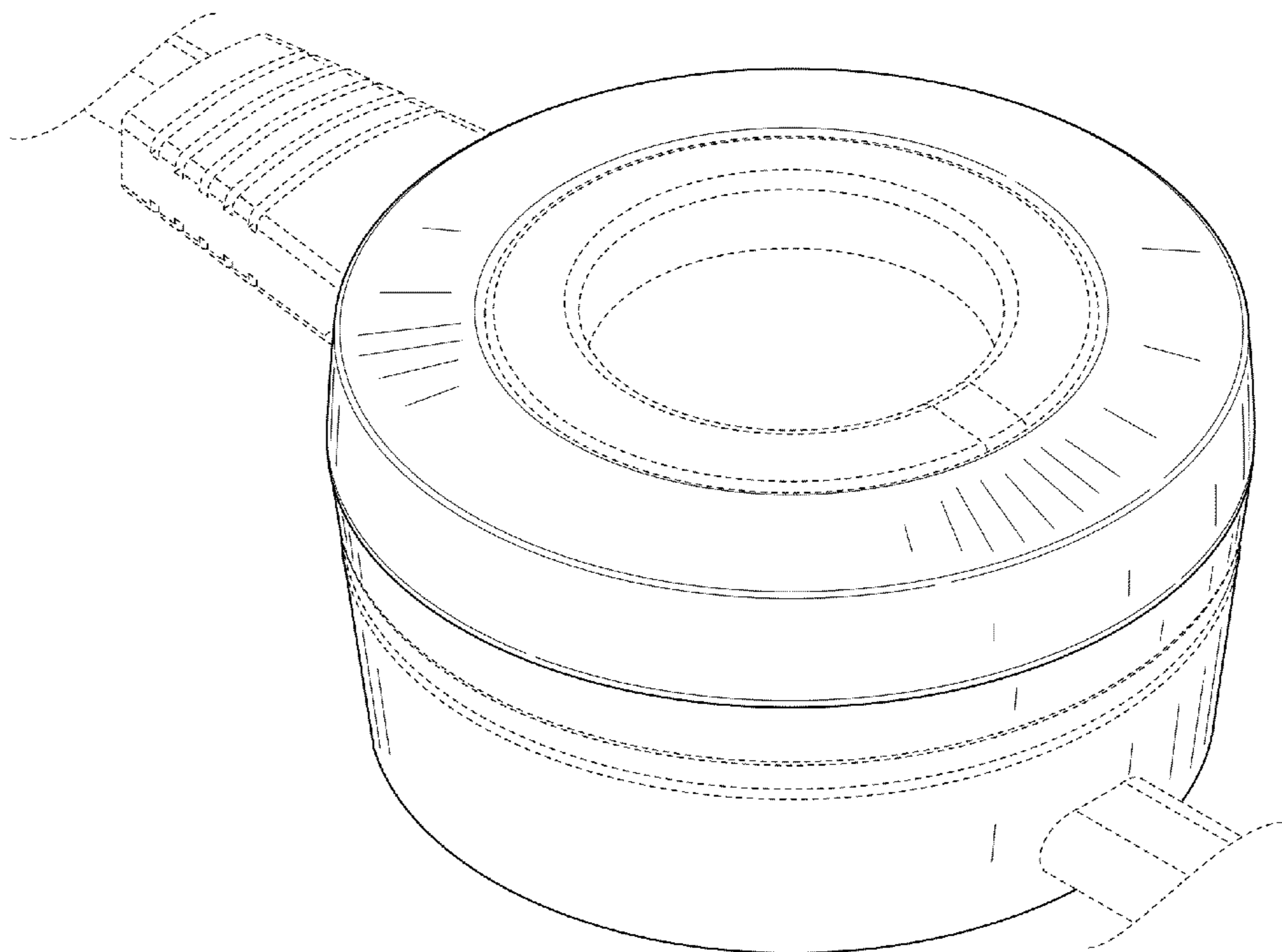
(57) **CLAIM**

We claim the ornamental design for an alarm unit assembly, alarm unit, and connector, as shown and described.

DESCRIPTION

FIG. 1 is a perspective view of an alarm unit assembly showing our design;
FIG. 2 is a left side view thereof;
FIG. 3 is a front view thereof;
FIG. 4 is right side view thereof;
FIG. 5 is top view thereof;
FIG. 6 is a rear view thereof; and,
FIG. 7 is a bottom view thereof.
The broken lines depict unclaimed environmental subject matter. The broken lines form no part of the claimed design.

1 Claim, 7 Drawing Sheets



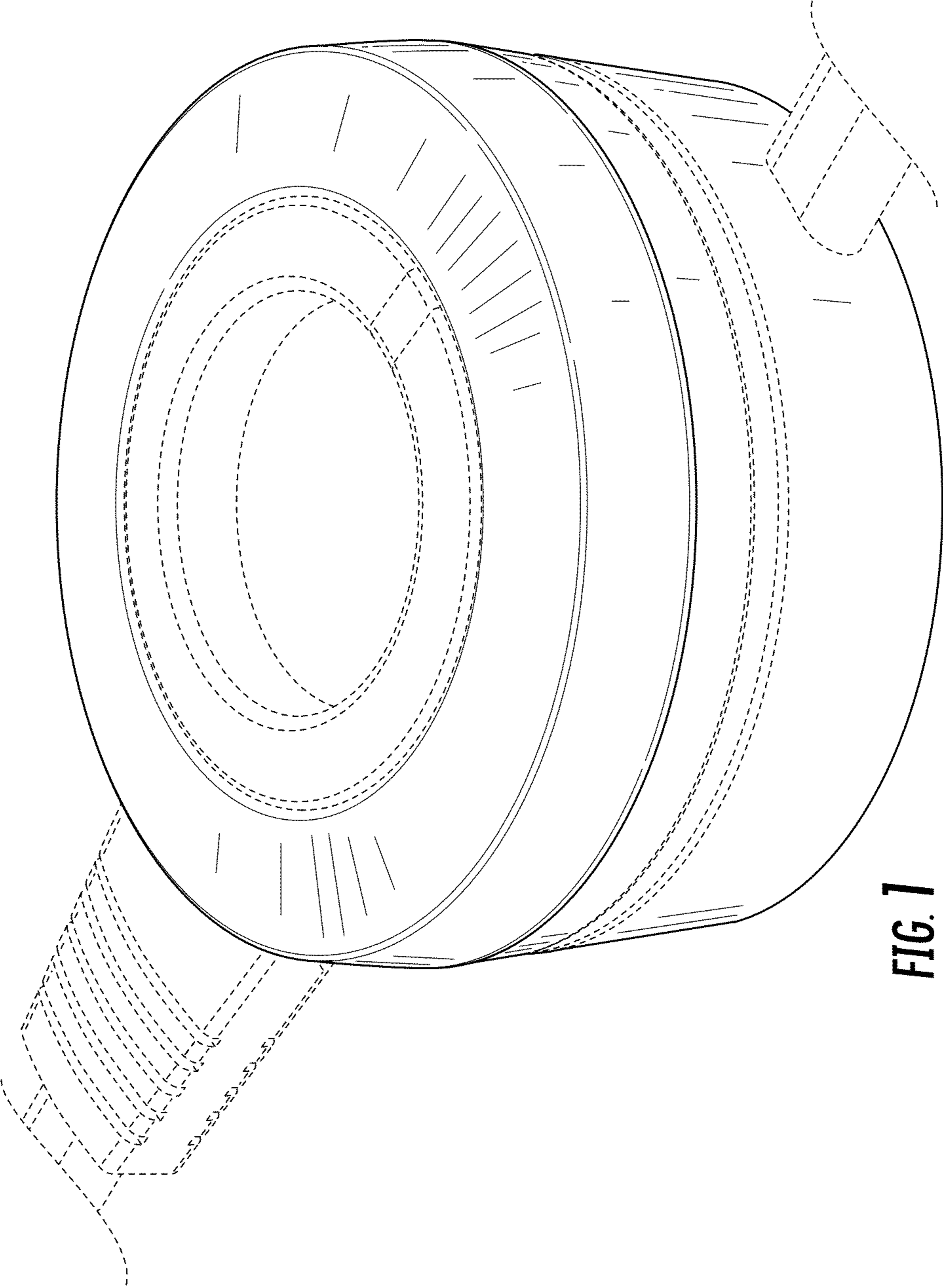


FIG. 1

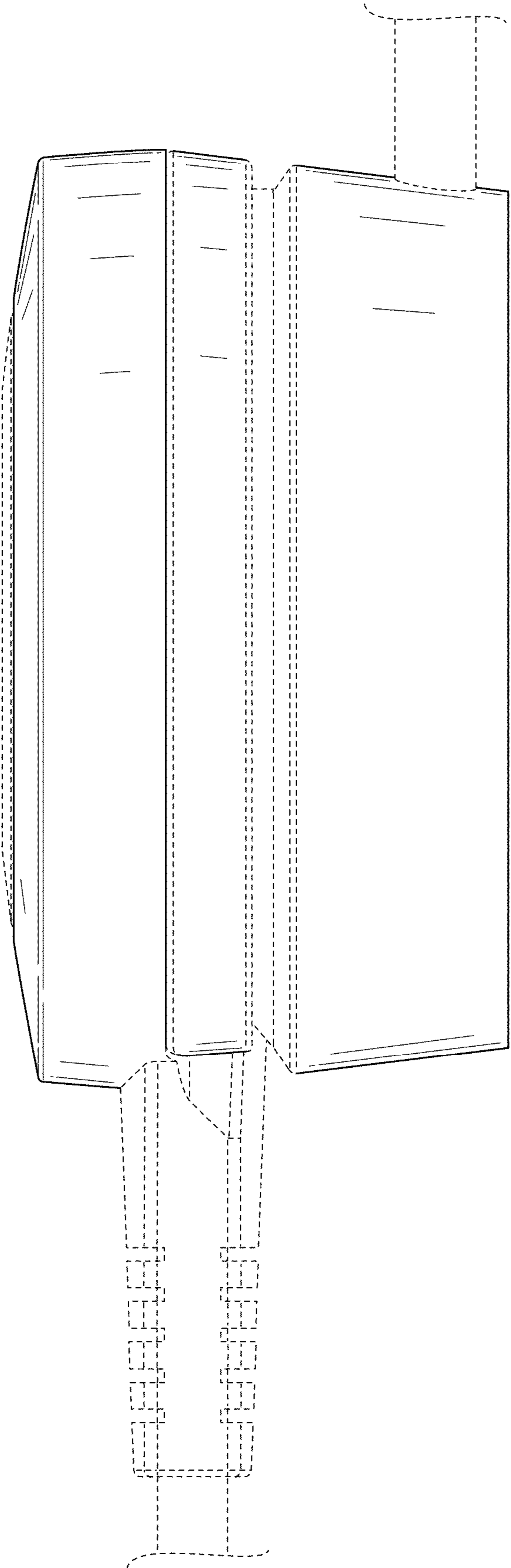


FIG. 2

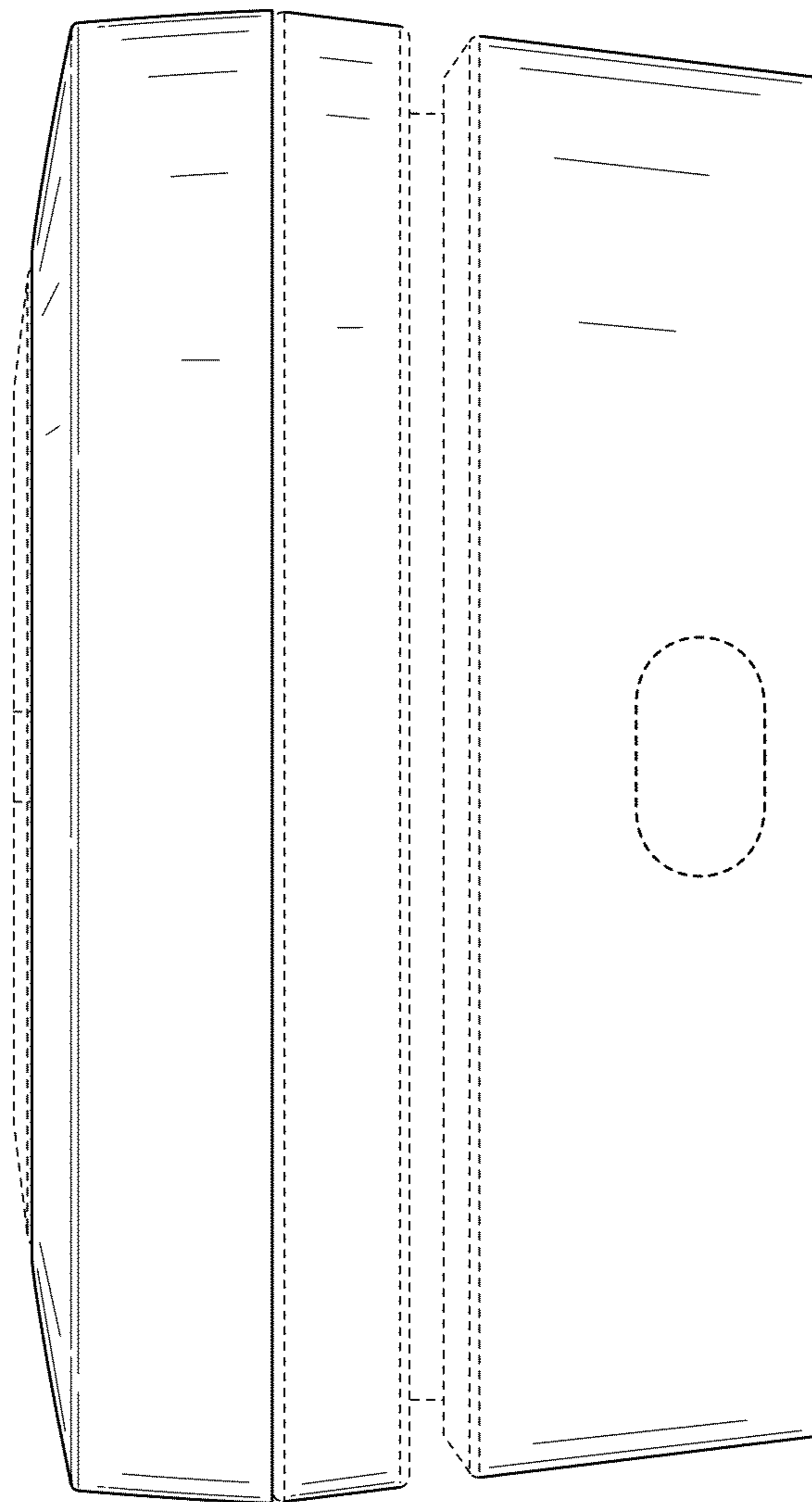


FIG. 3

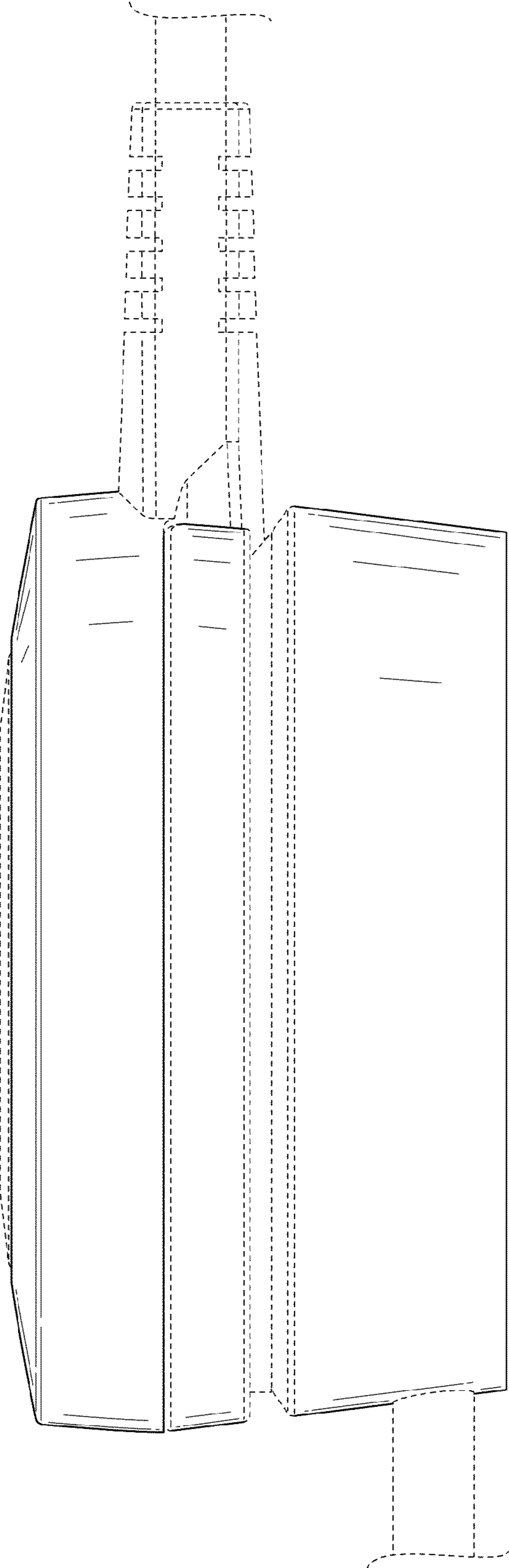


FIG. 4

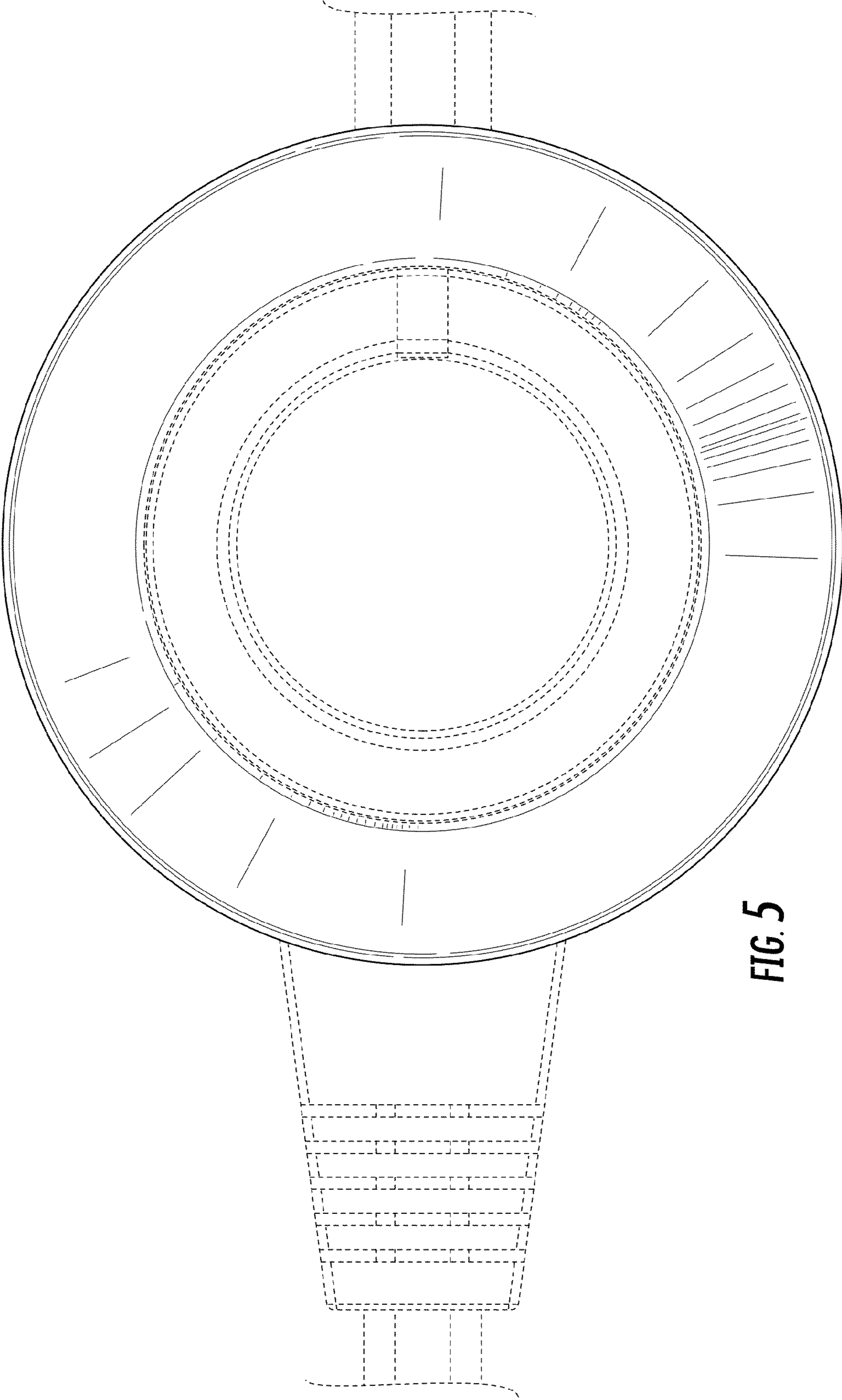


FIG. 5

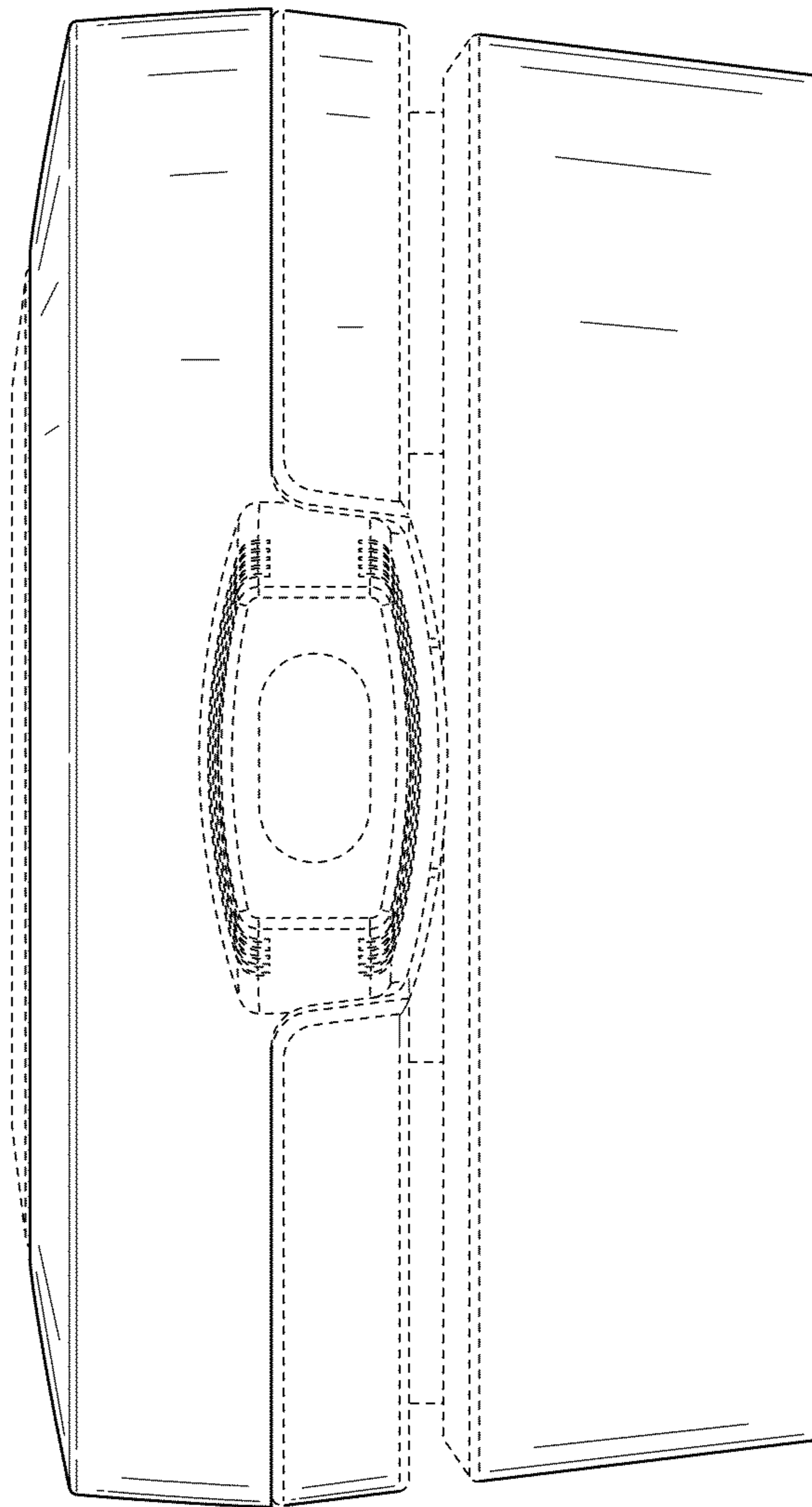


FIG. 6

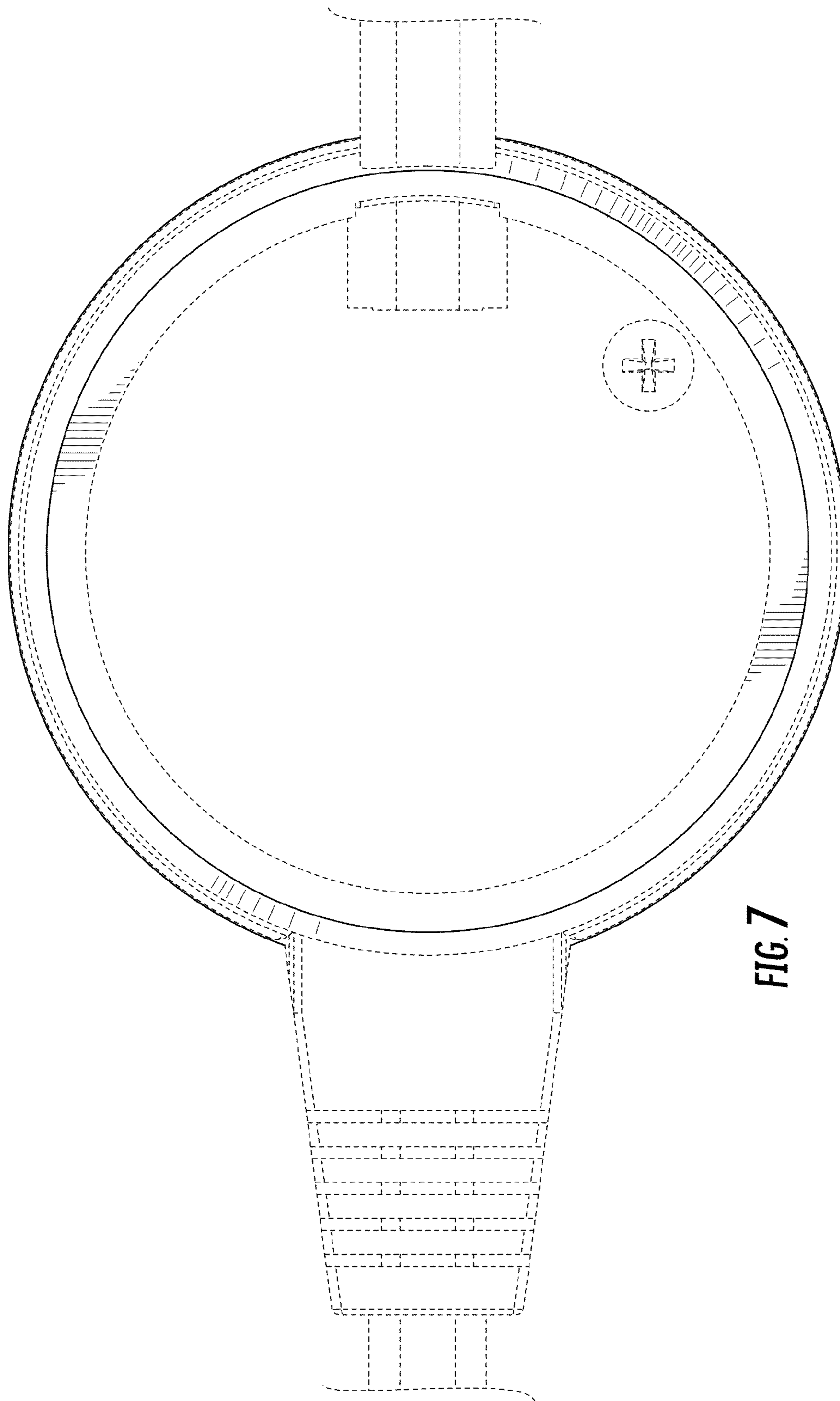


FIG. 7