



US00D702574S

(12) **United States Design Patent**
Chen

(10) **Patent No.:** **US D702,574 S**

(45) **Date of Patent:** **** Apr. 15, 2014**

(54) **LENGTH MEASUREMENT DEVICE FOR PRINTING SHEET MATERIAL**

7,111,412 B2 * 9/2006 Huang 33/772
D596,967 S * 7/2009 Bartoli D10/70
7,574,815 B1 * 8/2009 Lai 33/772
8,310,227 B2 * 11/2012 Lai 324/207.25

(71) Applicant: **Hu Chen**, Taipei (TW)

* cited by examiner

(72) Inventor: **Hu Chen**, Taipei (TW)

Primary Examiner — Antoine D Davis

(**) Term: **14 Years**

(74) *Attorney, Agent, or Firm* — Chun-Ming Shih

(21) Appl. No.: **29/444,270**

(22) Filed: **Jan. 29, 2013**

(51) **LOC (10) Cl.** **10-04**

(52) **U.S. Cl.**
USPC **D10/70**

(58) **Field of Classification Search**
USPC D10/70; 33/710, 711, 732-754,
33/772-782, 832-838

See application file for complete search history.

(56) **References Cited**

U.S. PATENT DOCUMENTS

D299,214 S * 1/1989 Kimura D10/70
D383,399 S * 9/1997 Cragie et al. D10/70
6,199,292 B1 * 3/2001 Ebeling 33/775
D458,162 S * 6/2002 Wightman D10/70

(57) **CLAIM**

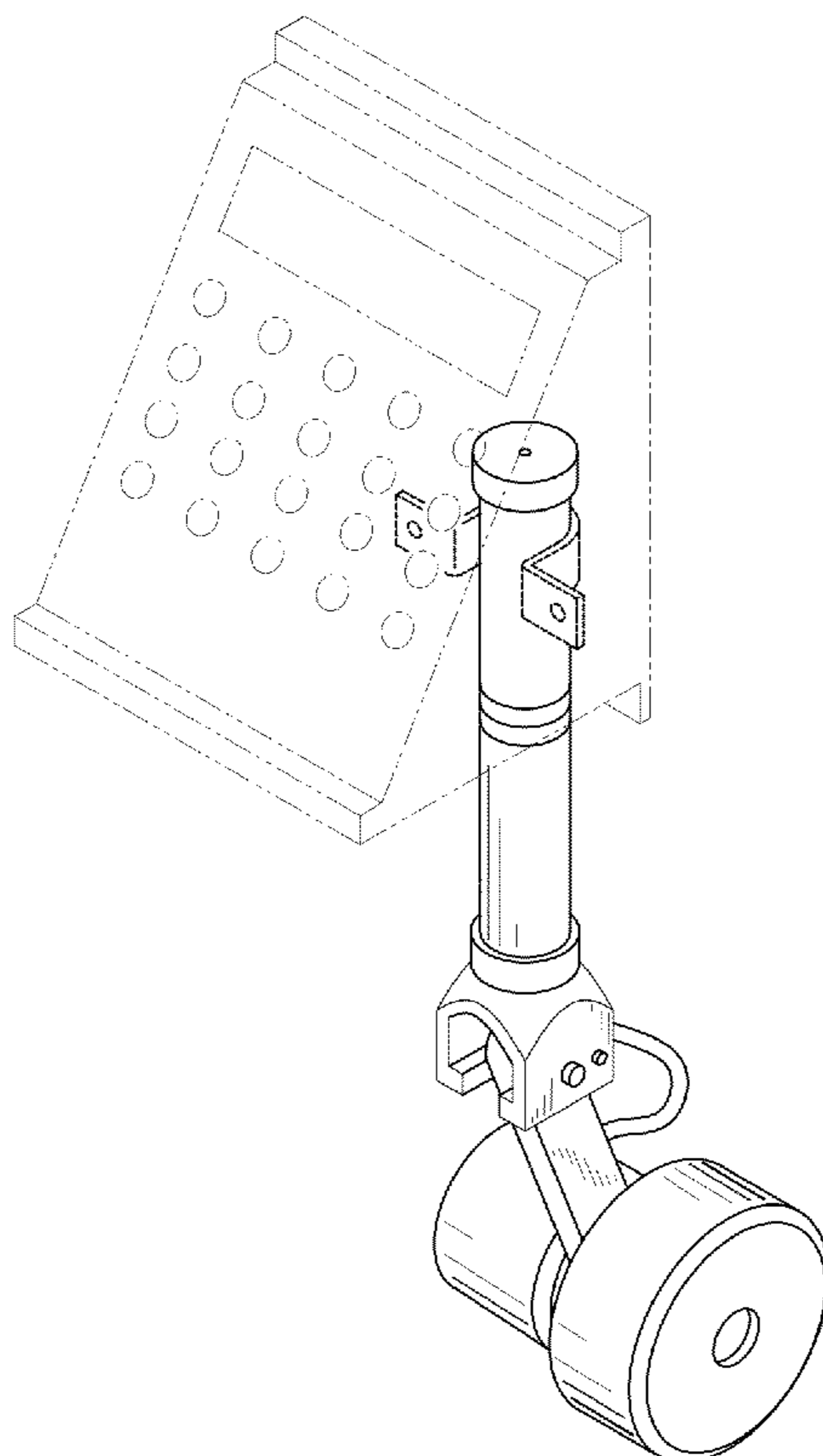
The ornamental design for a length measurement device for printing sheet material, as shown and described.

DESCRIPTION

FIG. 1 is a perspective view of the design for a length measurement device for printing sheet material;
FIG. 2 is a front view of the design;
FIG. 3 is a rear view of the design;
FIG. 4 is a left side view of the design;
FIG. 5 is a right side view of the design;
FIG. 6 is a top view of the design; and,
FIG. 7 is a bottom view of the design.

The broken line showing of a computer is included for illustrative purpose and forms no part of the claimed design.

1 Claim, 6 Drawing Sheets



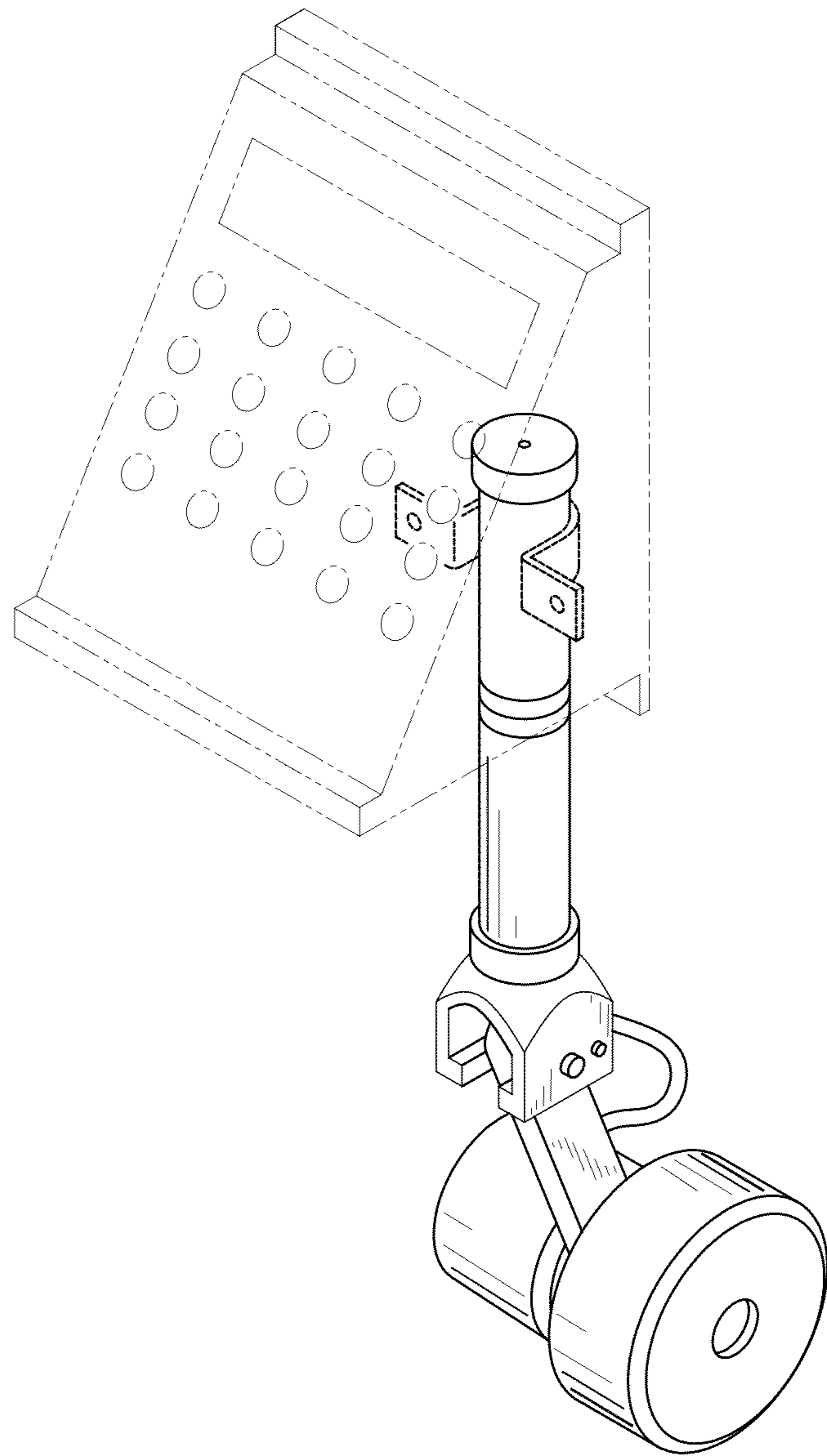


Fig. 1

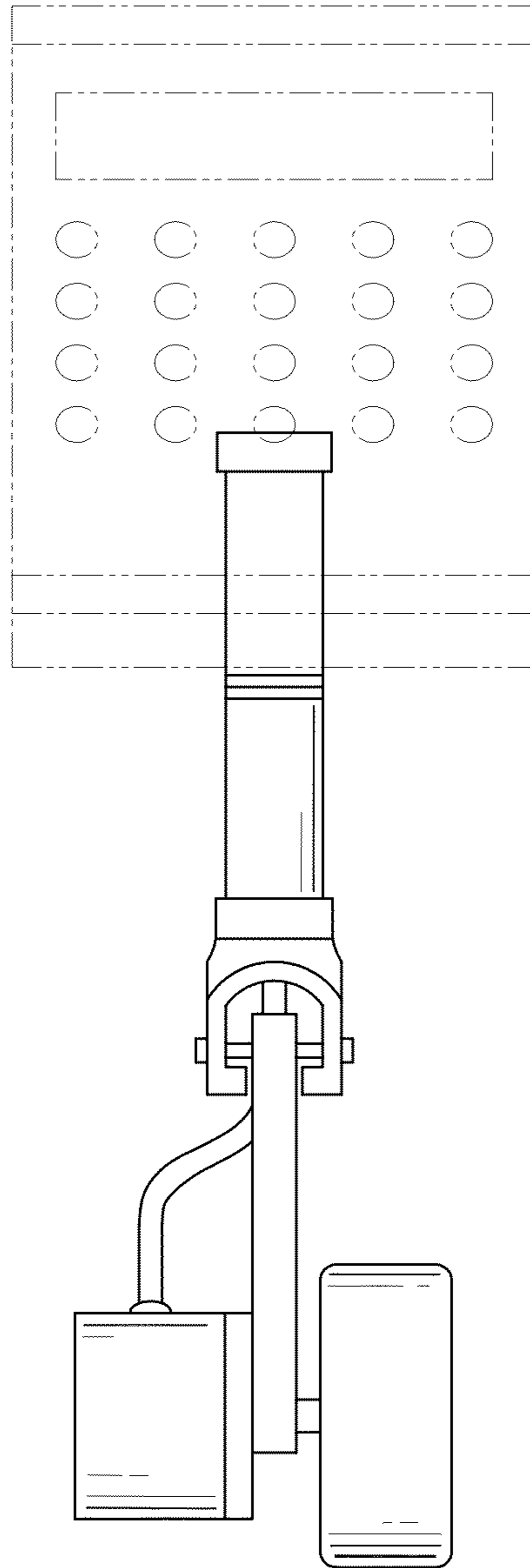


Fig. 2

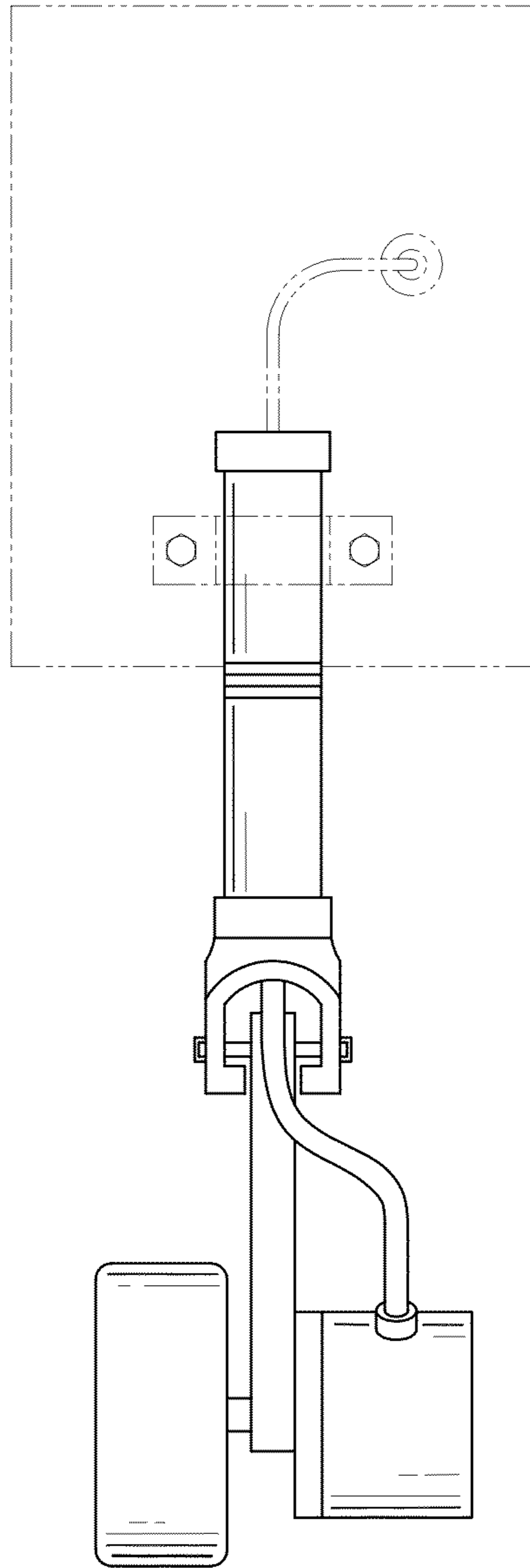


Fig. 3

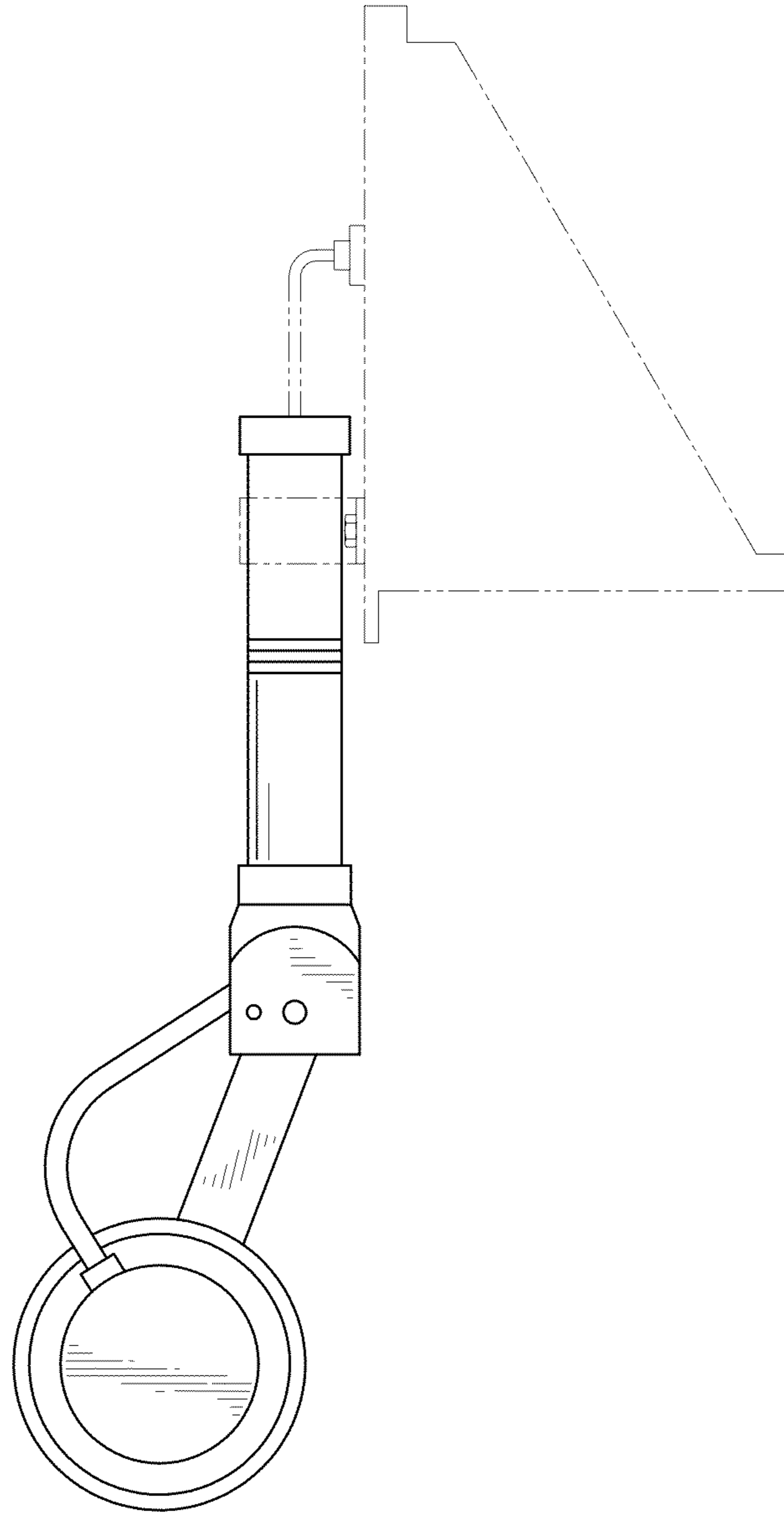


Fig. 4

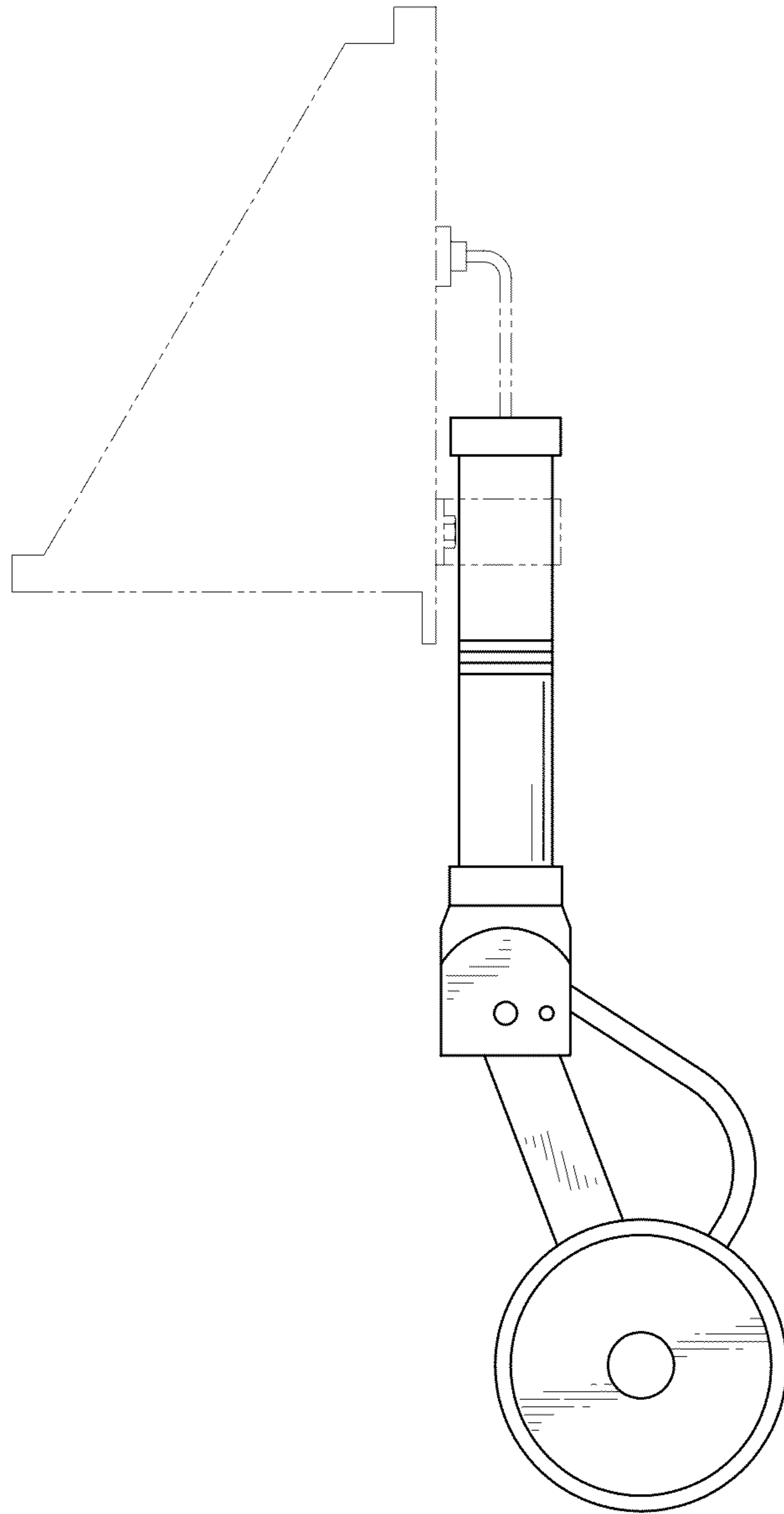


Fig. 5

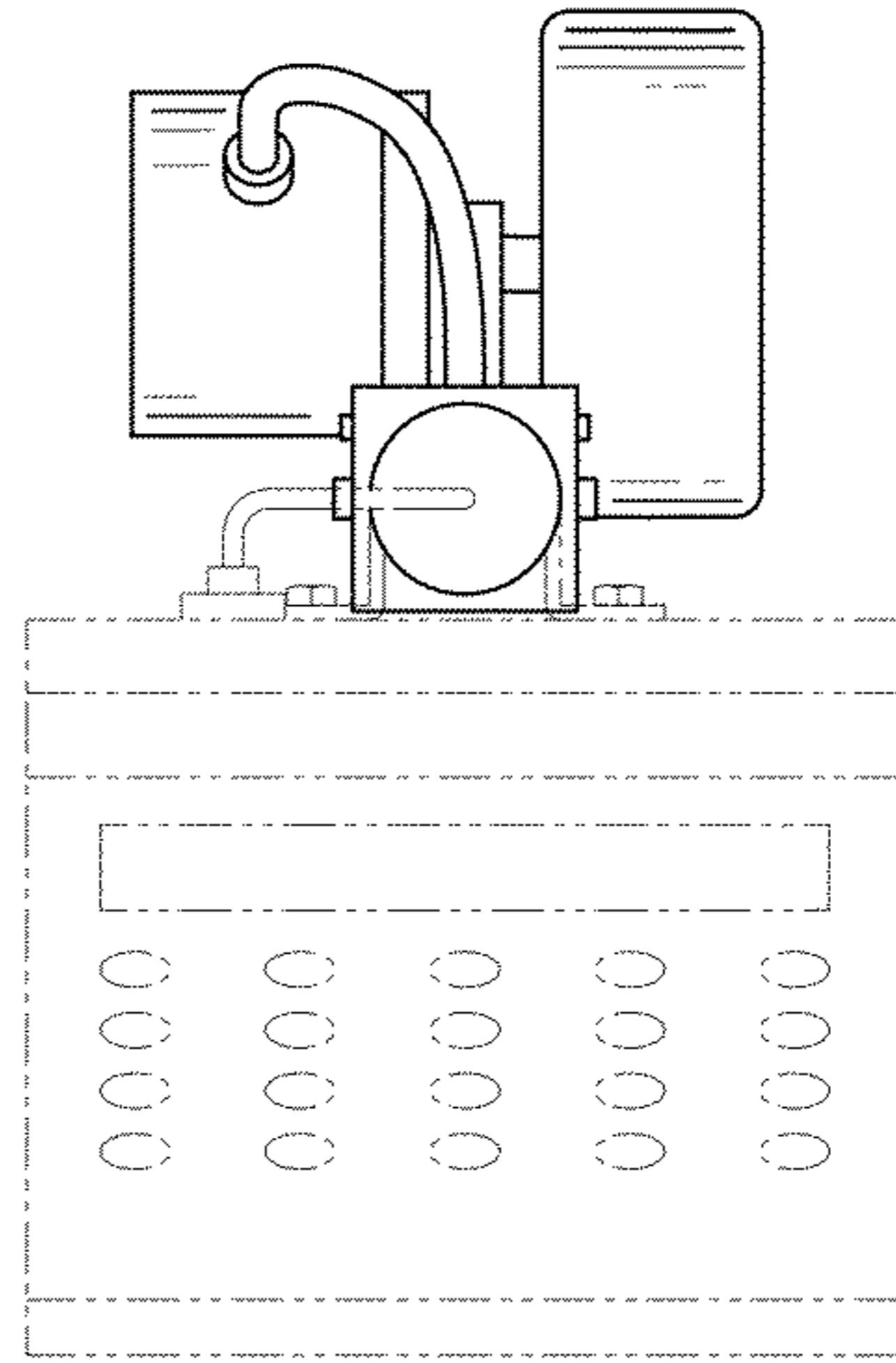


Fig. 6

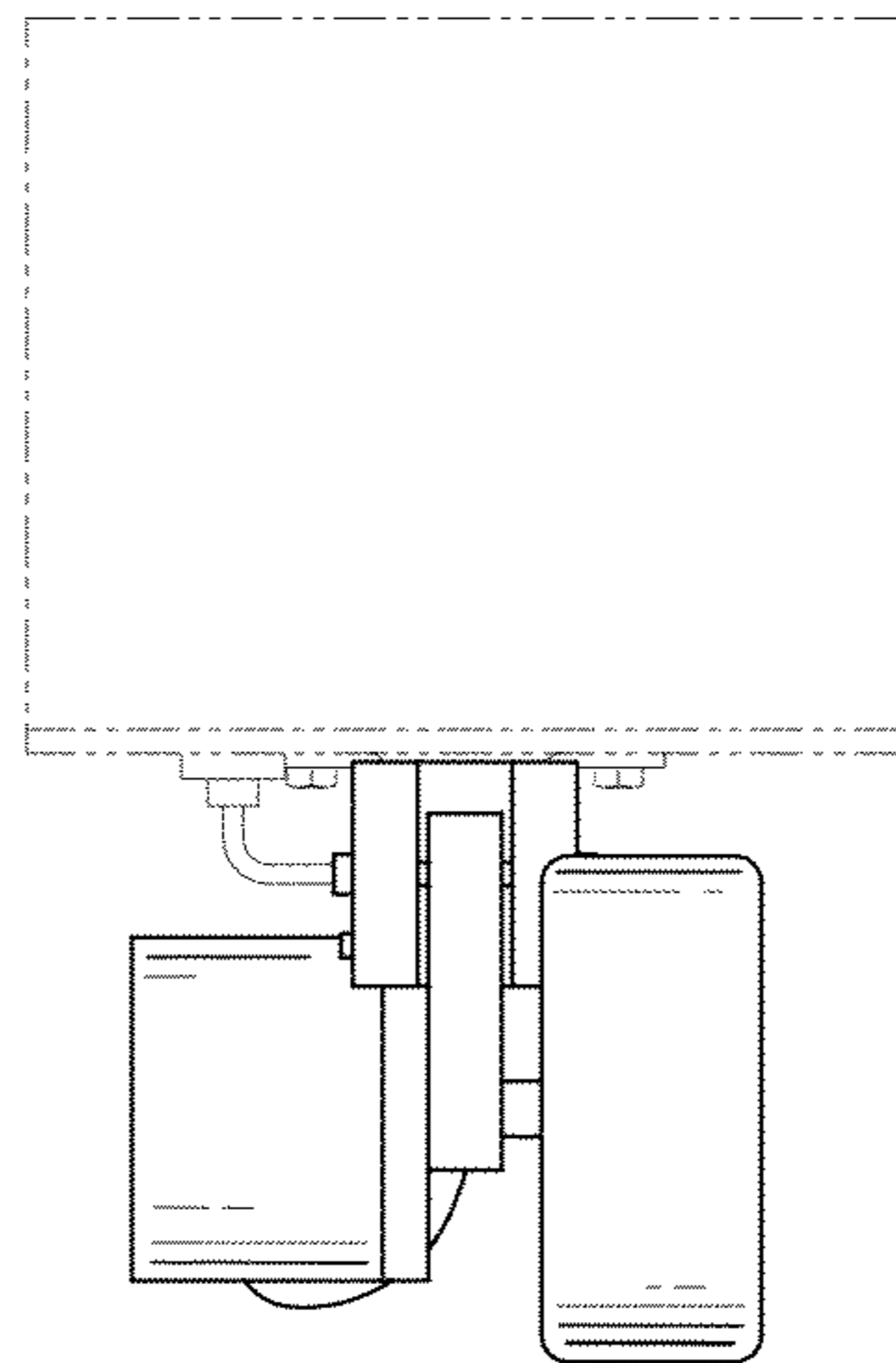


Fig. 7