



US00D702572S

(12) **United States Design Patent**
Sun et al.

(10) **Patent No.:** **US D702,572 S**
(45) **Date of Patent:** **** Apr. 15, 2014**

(54) **ANTI-SCANNER WITH A SINGLE LIGHT SOURCE AND A THREE DIMENSIONAL SPECTRAL CONE**

385/83, 97-99, 134-139;
264/1.24-1.25

See application file for complete search history.

(71) Applicant: **Huanic Corporation**, Xian (CN)

(56) **References Cited**

(72) Inventors: **Jianhua Sun**, Xi'an (CN); **Jian Xu**, Xi'an (CN)

U.S. PATENT DOCUMENTS

(73) Assignee: **Huanic Corporation**, Xian (CN)

D632,985 S * 2/2011 Scheyer D10/66

(**) Term: **14 Years**

* cited by examiner

(21) Appl. No.: **29/436,435**

Primary Examiner — Antoine D Davis

(22) Filed: **Nov. 6, 2012**

(74) *Attorney, Agent, or Firm* — Novak Druce Connolly Bove + Quigg LLP

(57) **CLAIM**

The ornamental design for an anti-scanner with a single light source and a three dimensional spectral cone, as shown and described.

Related U.S. Application Data

(63) Continuation of application No. 29/393,135, filed on May 31, 2011, now Pat. No. Des. 672,259.

DESCRIPTION

(30) **Foreign Application Priority Data**

Dec. 3, 2010 (CN) 2010 3 0654247

(51) **LOC (10) Cl.** **10-04**

(52) **U.S. Cl.**
USPC **D10/66; D10/70; D10/69**

(58) **Field of Classification Search**
USPC D10/66, 69, 70; 33/276, 277, 281, 285, 33/286, 290, 291-299, DIG. 21; 340/539, 340/825.36, 825.46, 825.49; 356/5.15, 356/4.01, 5.01, 4.05, 5.05-5.09, 5.12, 28.5, 356/345, 375, 3.01, 128-155, 399-400;

FIG. 1 is the front elevational view of the anti-laser scanner with a single light source and a three dimensional spectral cone showing the new design;
FIG. 2 is the left side elevational view thereof;
FIG. 3 is the right side elevational view thereof;
FIG. 4 is the top plan view thereof;
FIG. 5 is the bottom plan view thereof;
FIG. 6 is the back elevational view thereof; and,
FIG. 7 is the perspective view thereof.

The broken line showing of structural features is included for the purpose of illustrating non-claimed subject matter and forms no part of the claimed design.

1 Claim, 7 Drawing Sheets

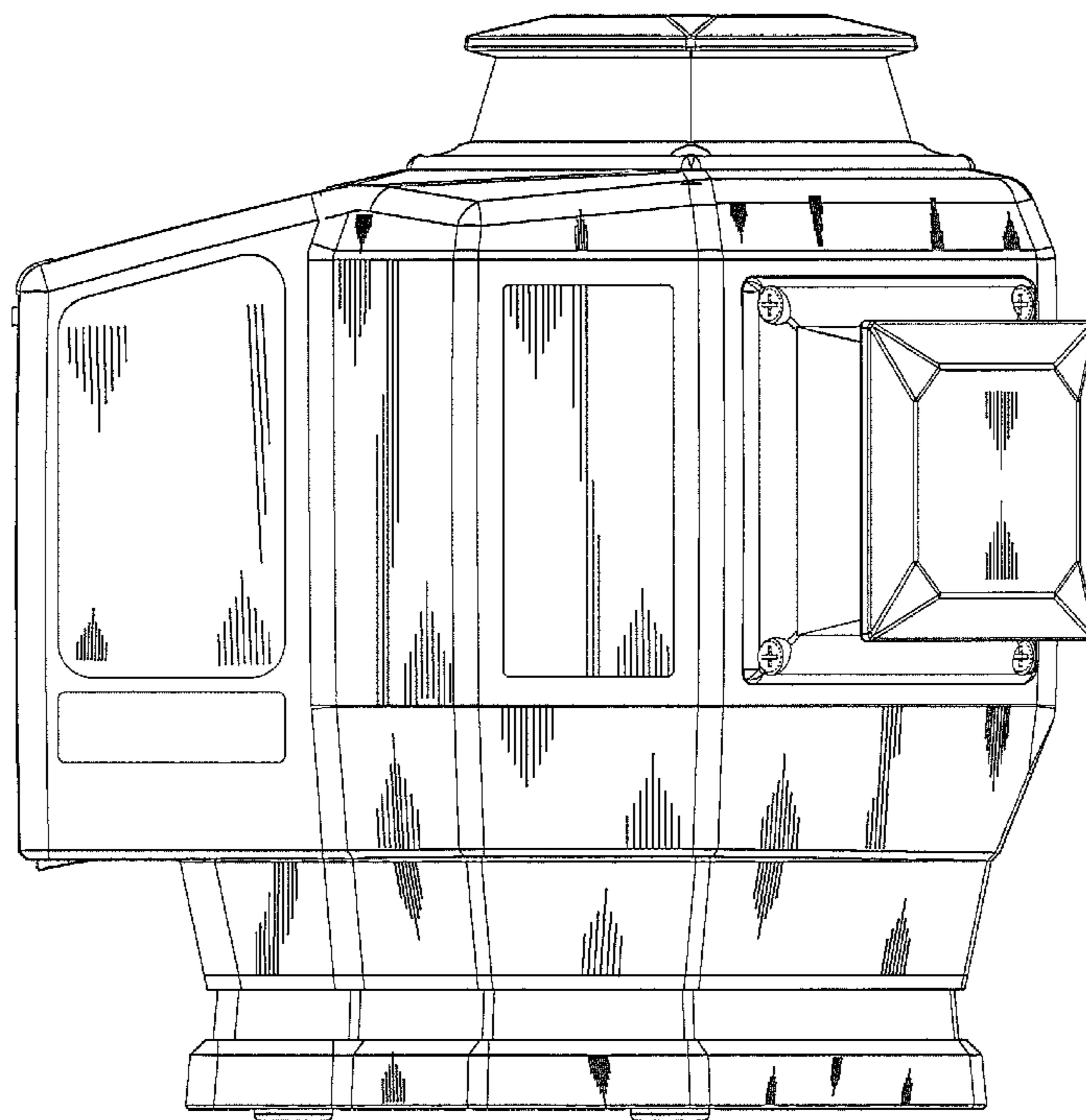


Fig. 1

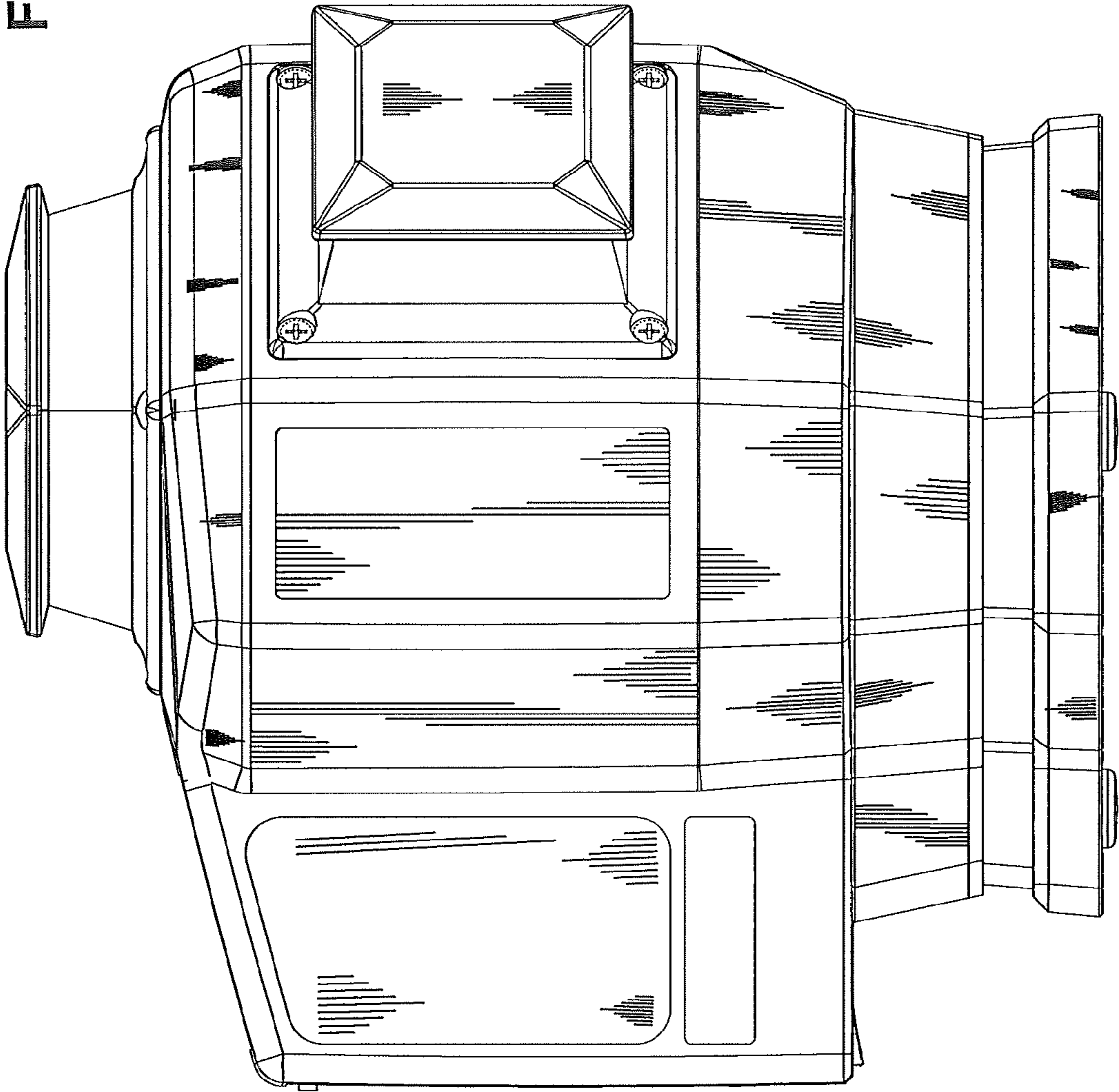


Fig. 2

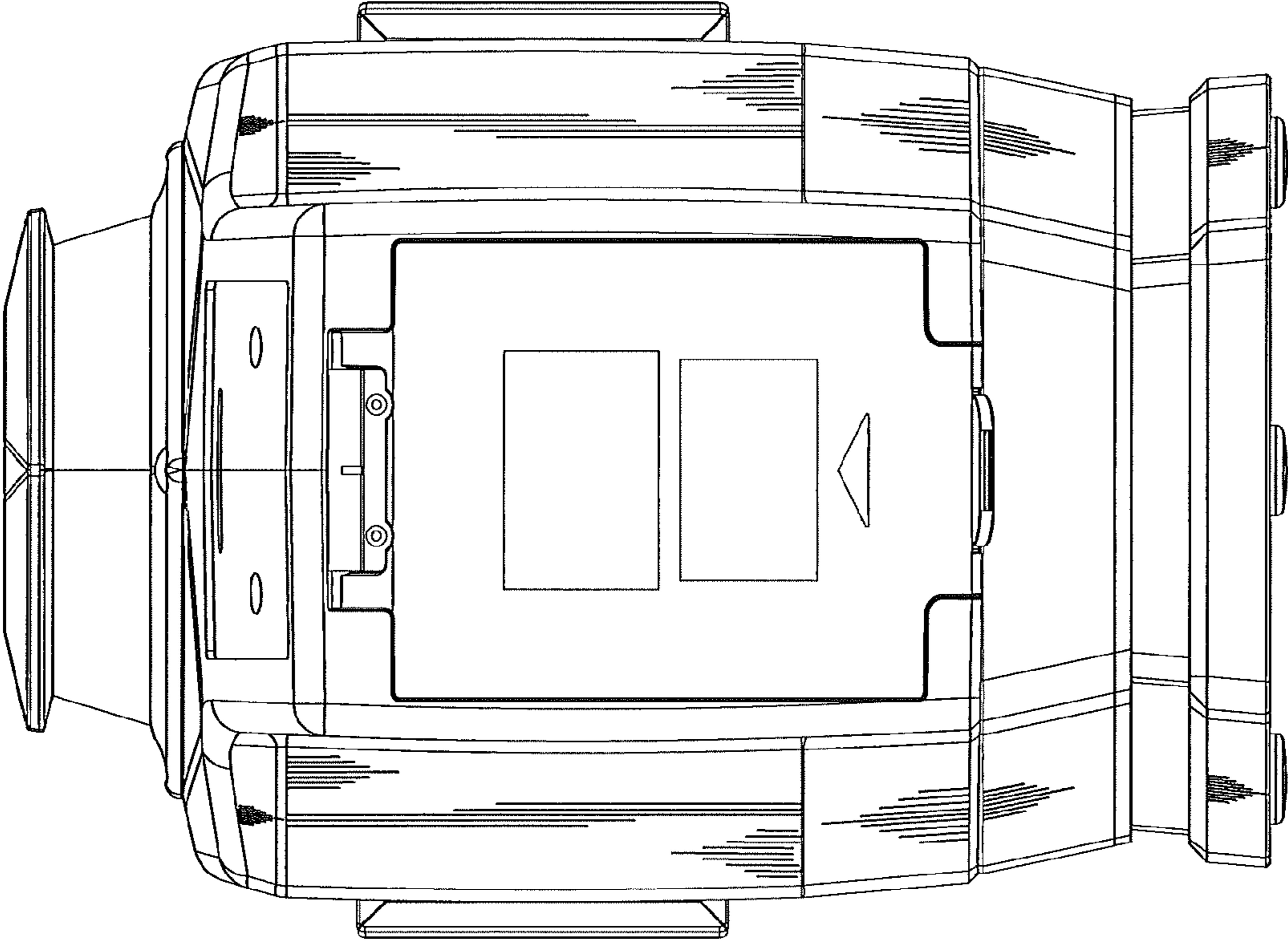


Fig. 3

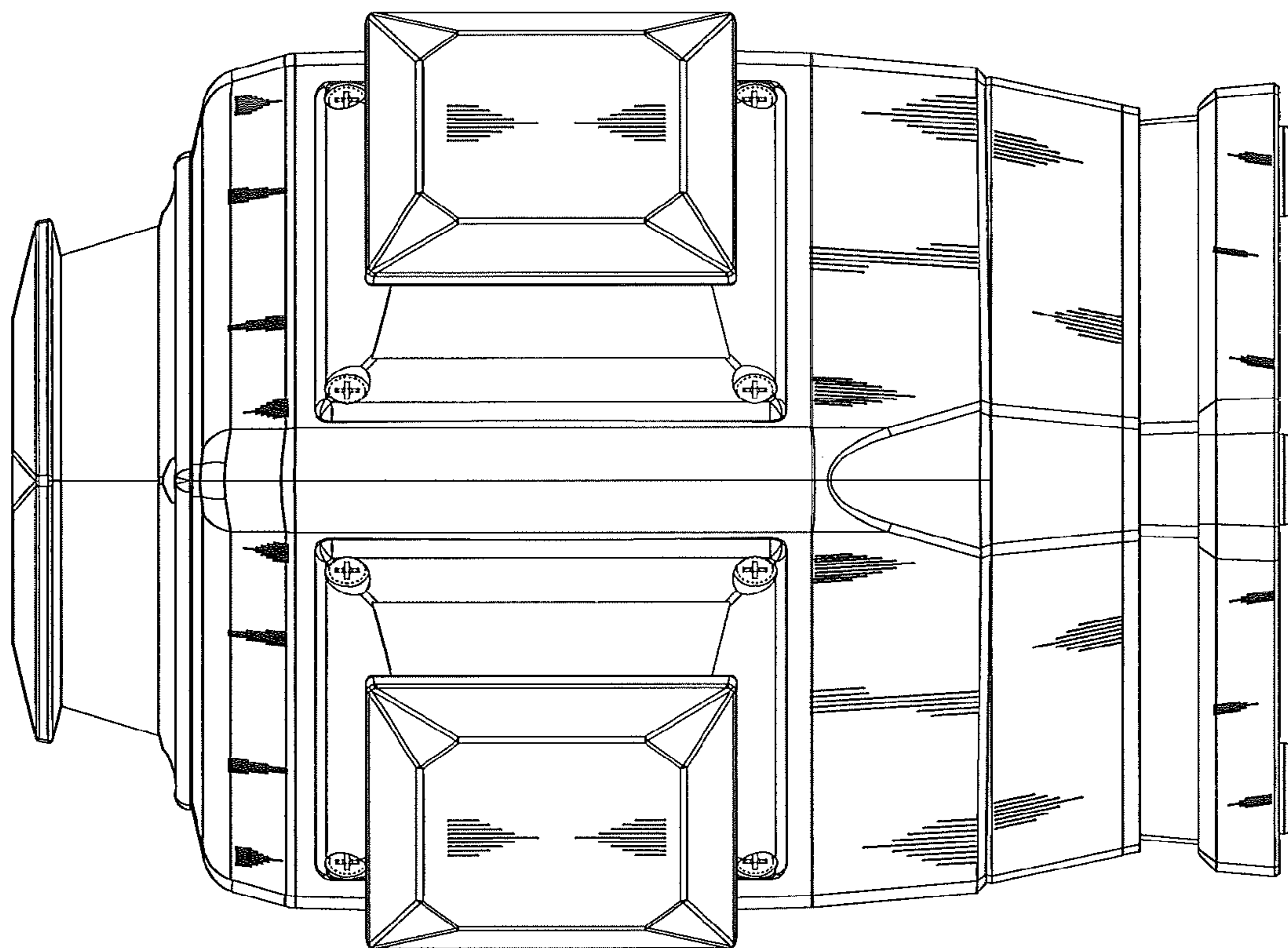


Fig. 4

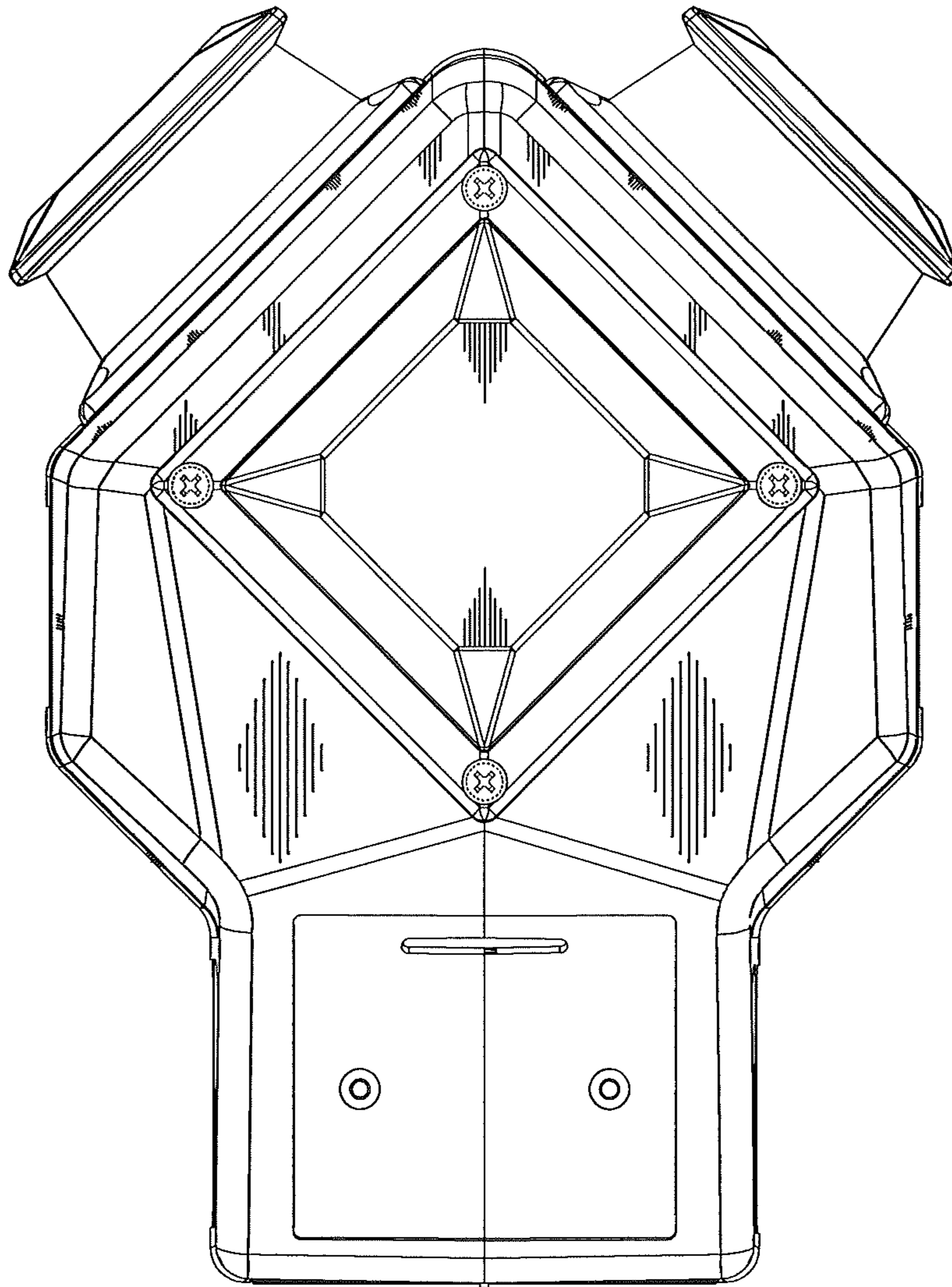


Fig. 5

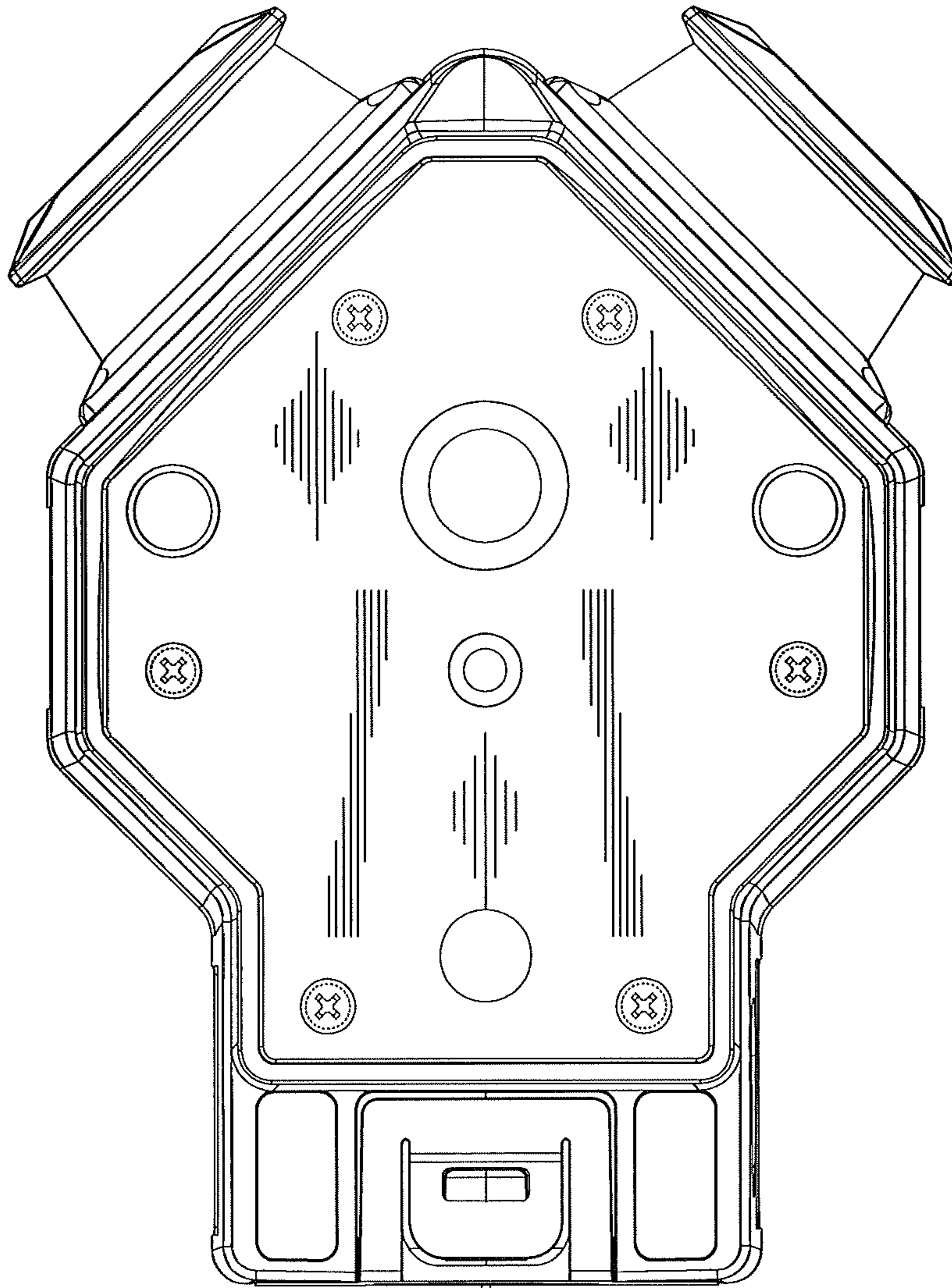


Fig. 6

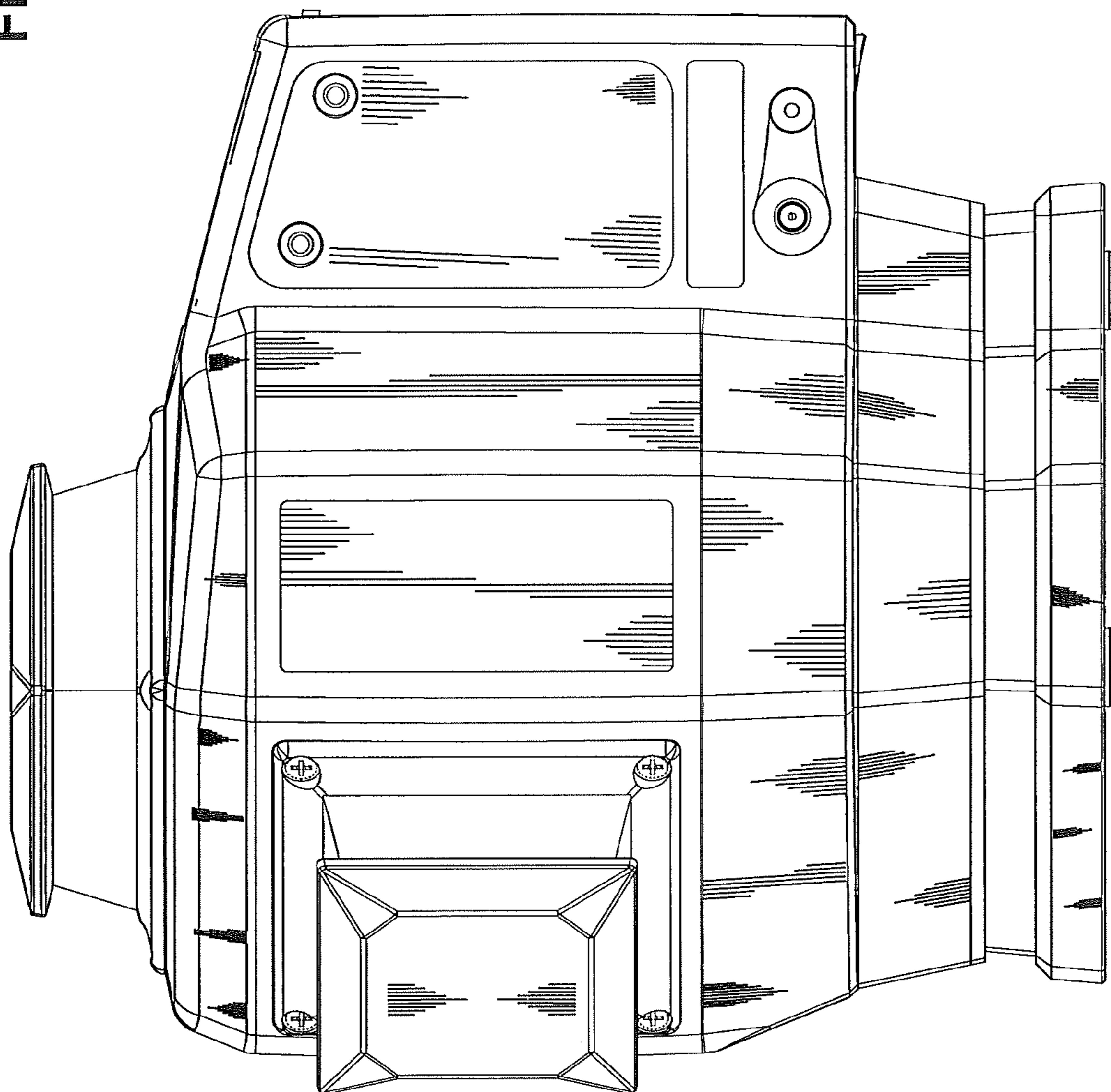


Fig. 7

