



US00D702569S

(12) **United States Design Patent**
Moore et al.

(10) **Patent No.:** **US D702,569 S**

(45) **Date of Patent:** **** Apr. 15, 2014**

(54) **CONCRETE FORM BOLT TEMPLATE**

Primary Examiner — Antoine D Davis

(71) Applicant: **Construction Innovations LLC**,
Sacramento, CA (US)

(74) *Attorney, Agent, or Firm* — Temmerman Law Office;
Mathew J. Temmerman

(72) Inventors: **David Moore**, Folsom, CA (US);
William Hubbard, Loomis, CA (US);
Brent Iseman, Pleasanton, CA (US)

(57) **CLAIM**

The ornamental design for a concrete form bolt template, as shown and described.

(73) Assignee: **Construction Innovations LLC**,
Sacramento, CA (US)

(**) Term: **14 Years**

DESCRIPTION

(21) Appl. No.: **29/443,167**

(22) Filed: **Jan. 14, 2013**

(51) **LOC (10) Cl.** **10-04**

(52) **U.S. Cl.**
USPC **D10/64**

(58) **Field of Classification Search**
USPC D10/64; 29/469; 249/51, 91, 93, 205,
249/207, 210; 52/295, 699, 702, 712,
52/293.3; 33/474, 566

See application file for complete search history.

FIG. 1 is a top, front right perspective view of a concrete form bolt template showing our new design;
FIG. 2 is a top, front left perspective view thereof;
FIG. 3 is a top, rear right perspective view thereof;
FIG. 4 is a top, rear left perspective view thereof;
FIG. 5 is a front side view thereof;
FIG. 6 is a rear side view thereof;
FIG. 7 is a right view thereof;
FIG. 8 is a left view thereof;
FIG. 9 is a top view thereof;
FIG. 10 is a bottom view thereof;
FIG. 11 is a left side view of a portion of my concrete template;
FIG. 12 is a top, front left perspective of a portion of my concrete template; and,
FIG. 13 is a bottom, front left perspective of a portion of my concrete template.

The broken lines are for the purpose of illustrating portions of the concrete template and form no part of the claimed design.

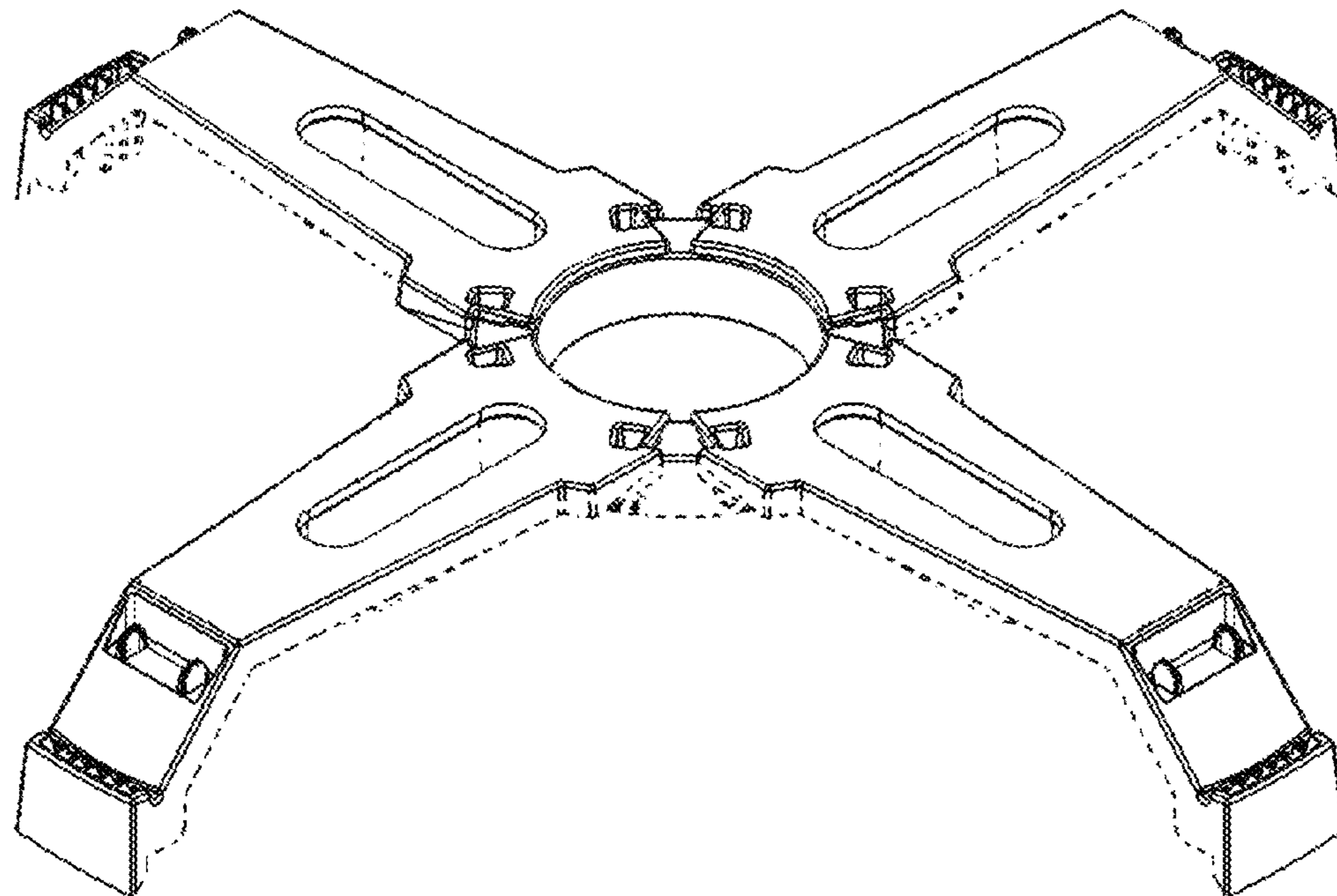
(56) **References Cited**

U.S. PATENT DOCUMENTS

3,963,210	A *	6/1976	Macklin	249/210
D246,512	S *	11/1977	McFarland et al.	D10/64
5,836,132	A *	11/1998	Weathersby	52/702
6,643,945	B1 *	11/2003	Starks	33/566
7,984,541	B1	7/2011	Davidson		

* cited by examiner

1 Claim, 7 Drawing Sheets



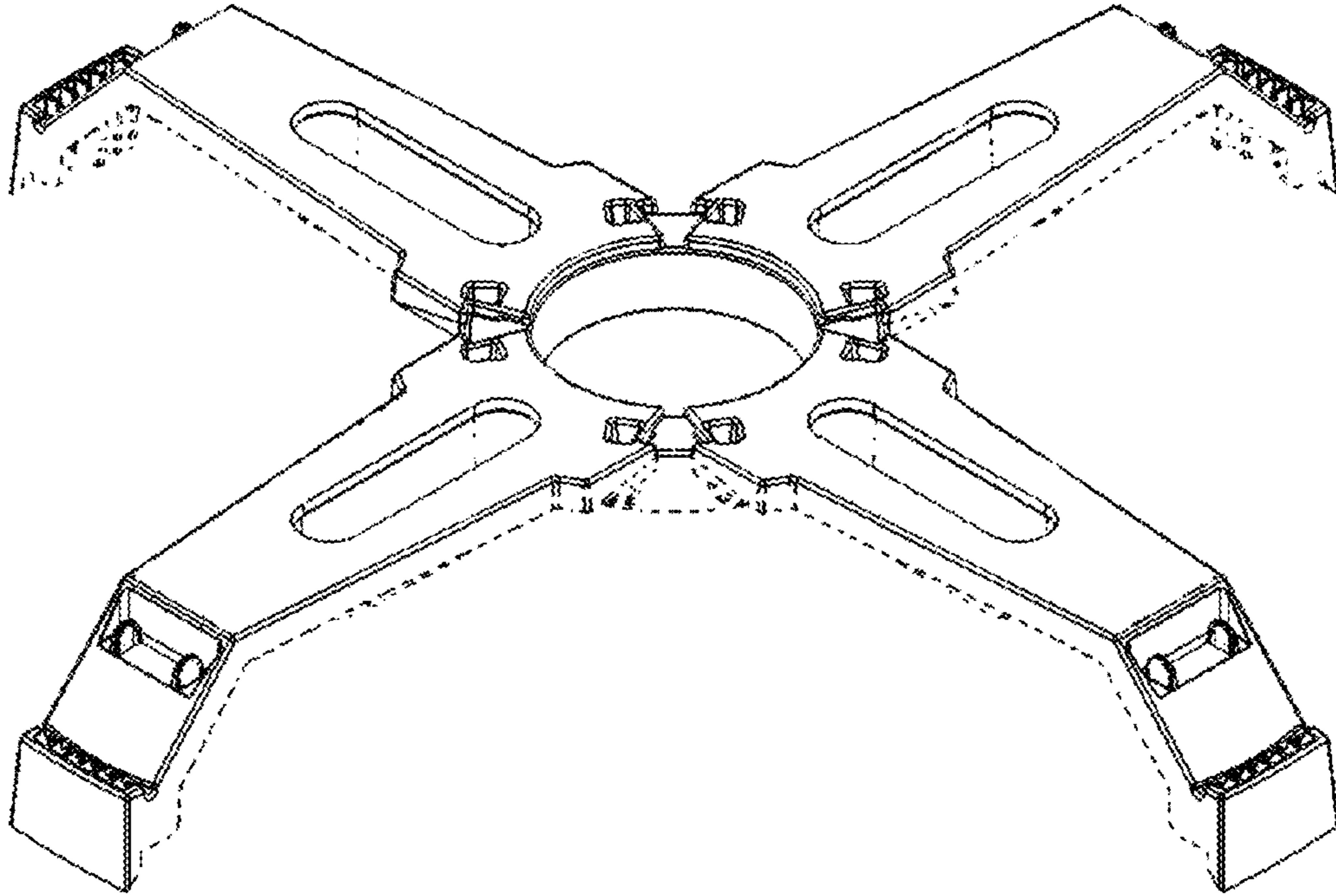


Fig. 1

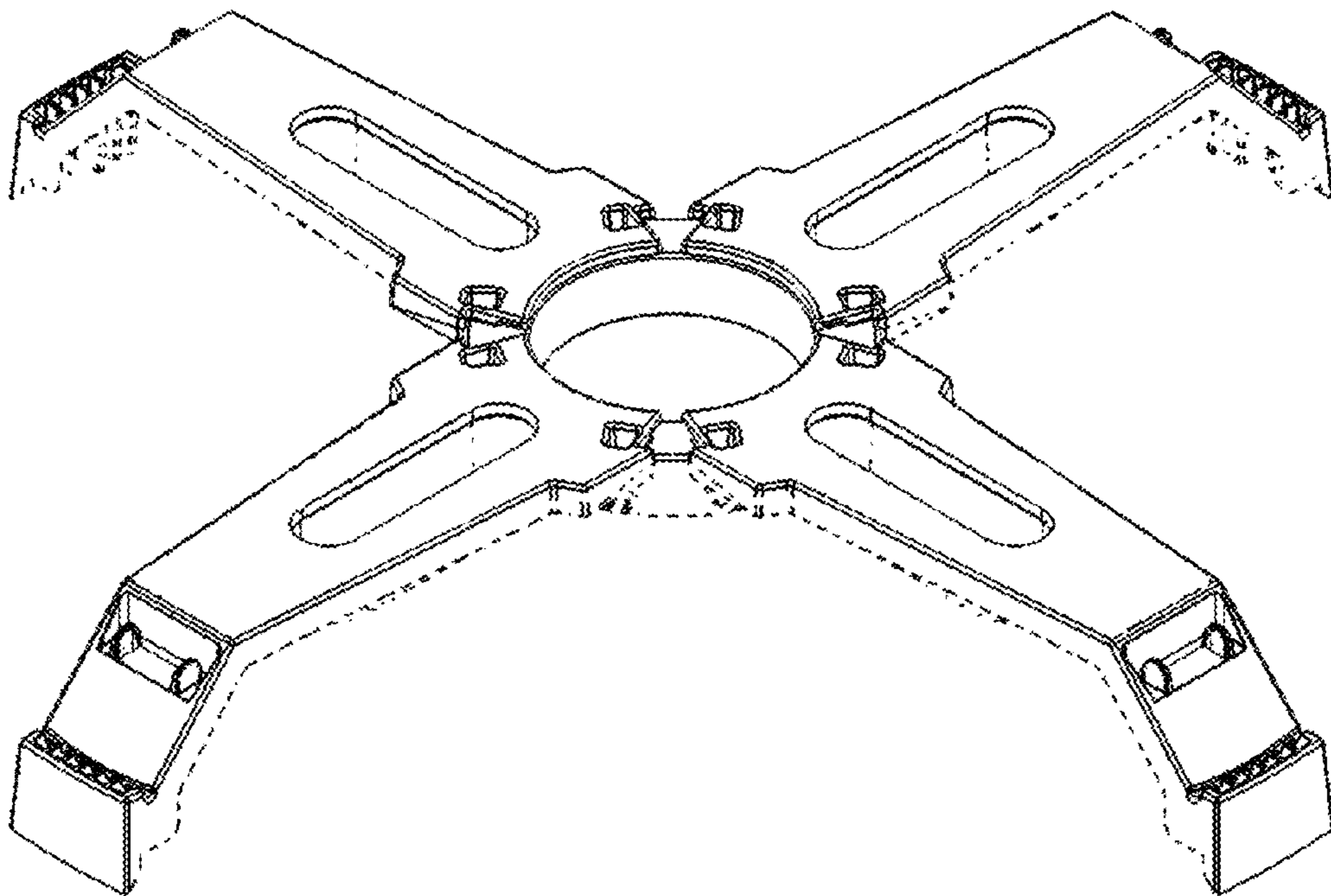


Fig. 2

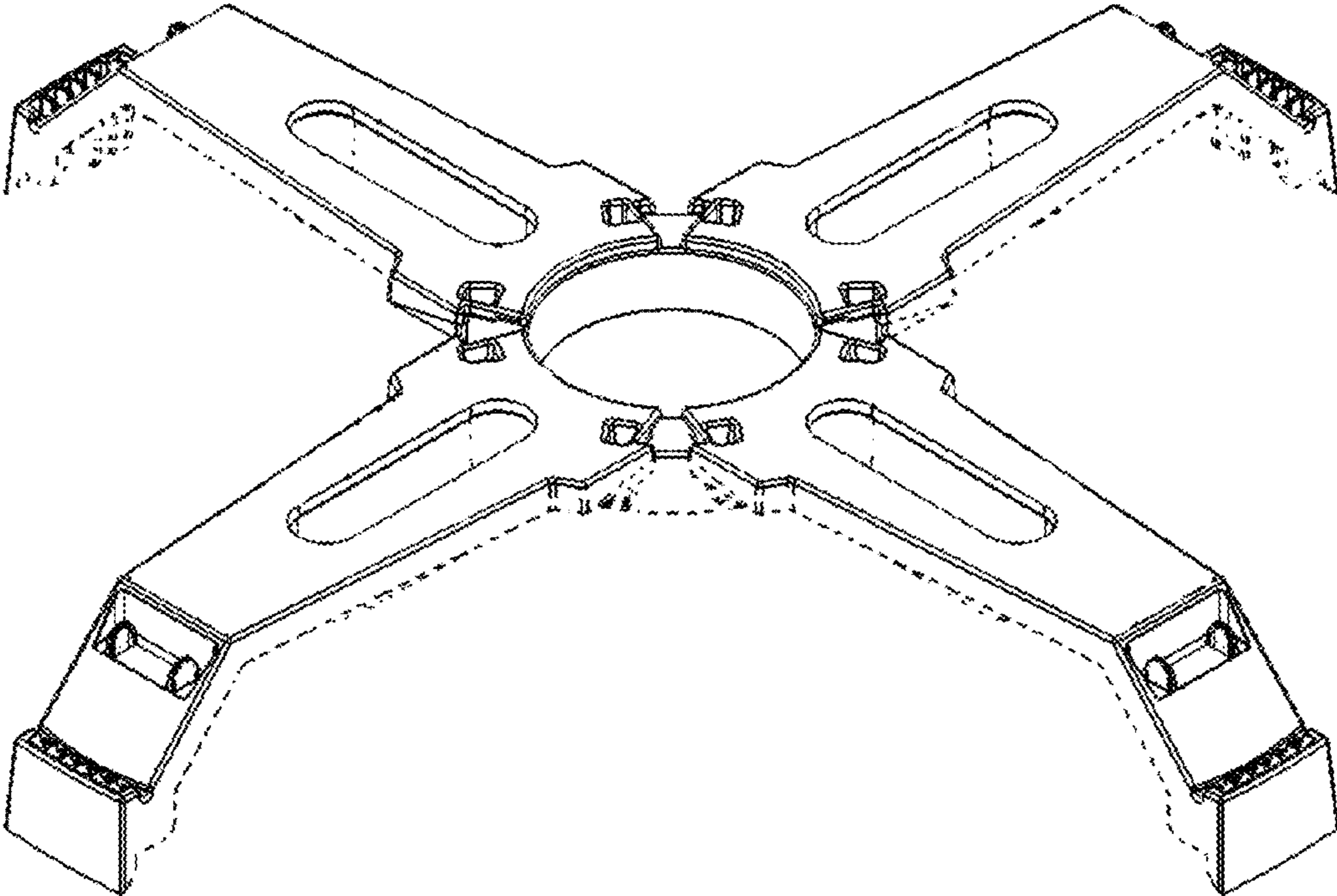


Fig. 3

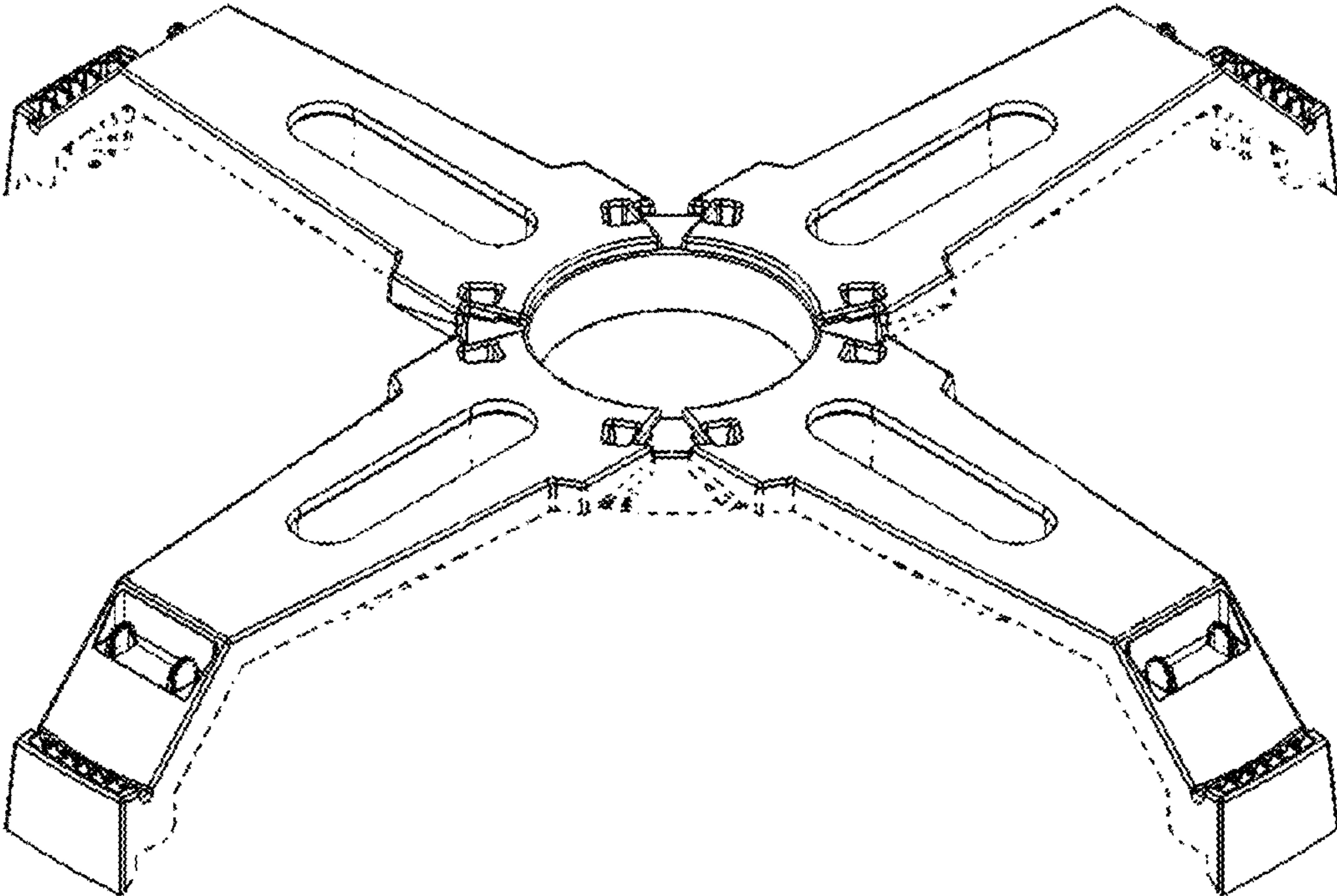


Fig. 4

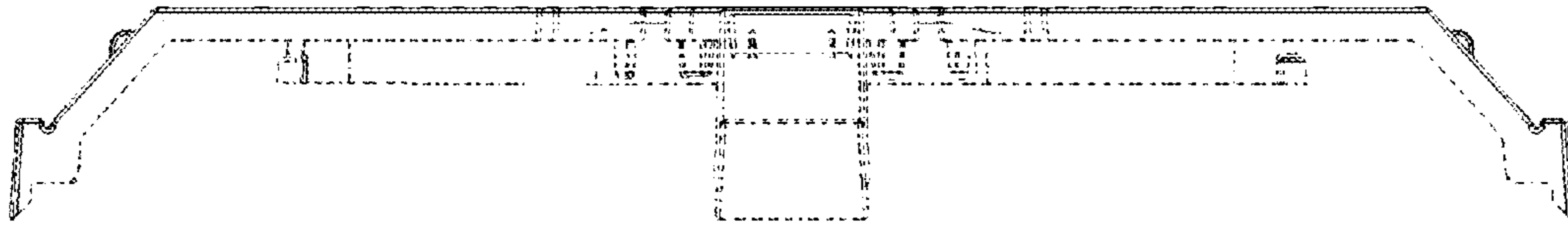


Fig. 5

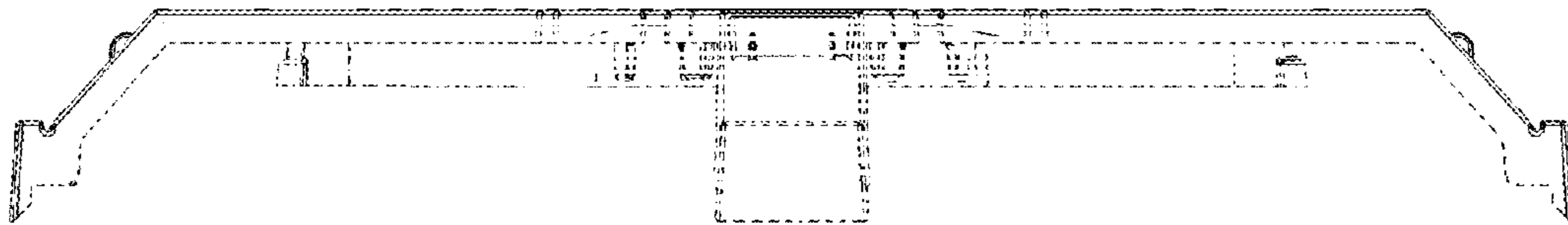


Fig. 6

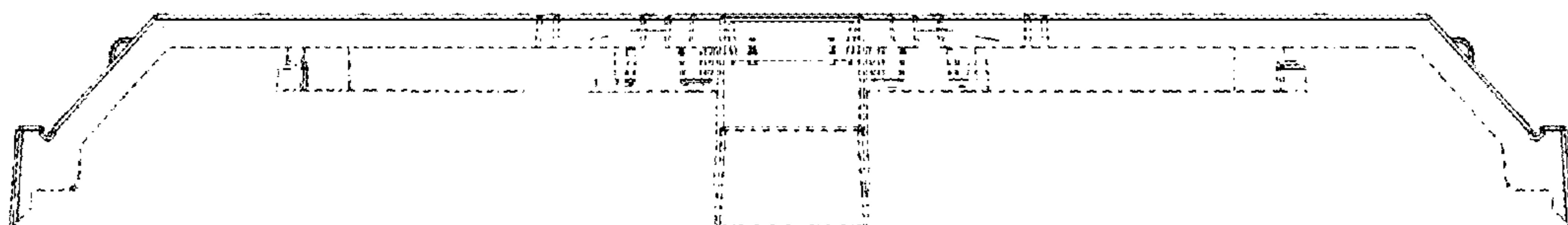


Fig. 7

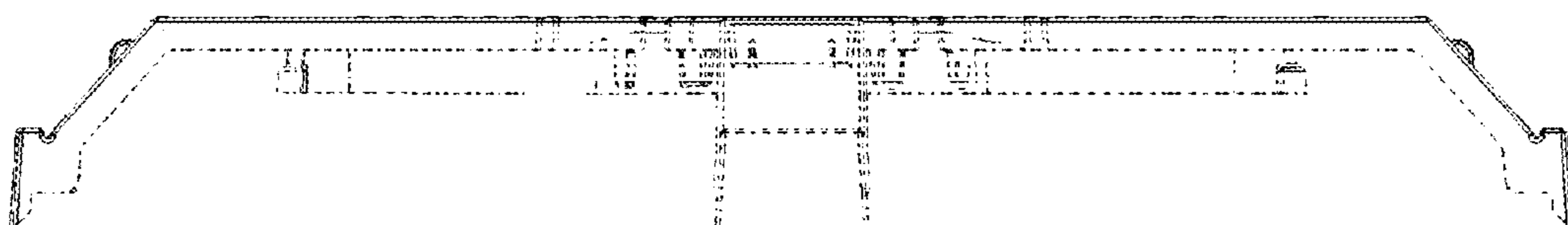


Fig. 8

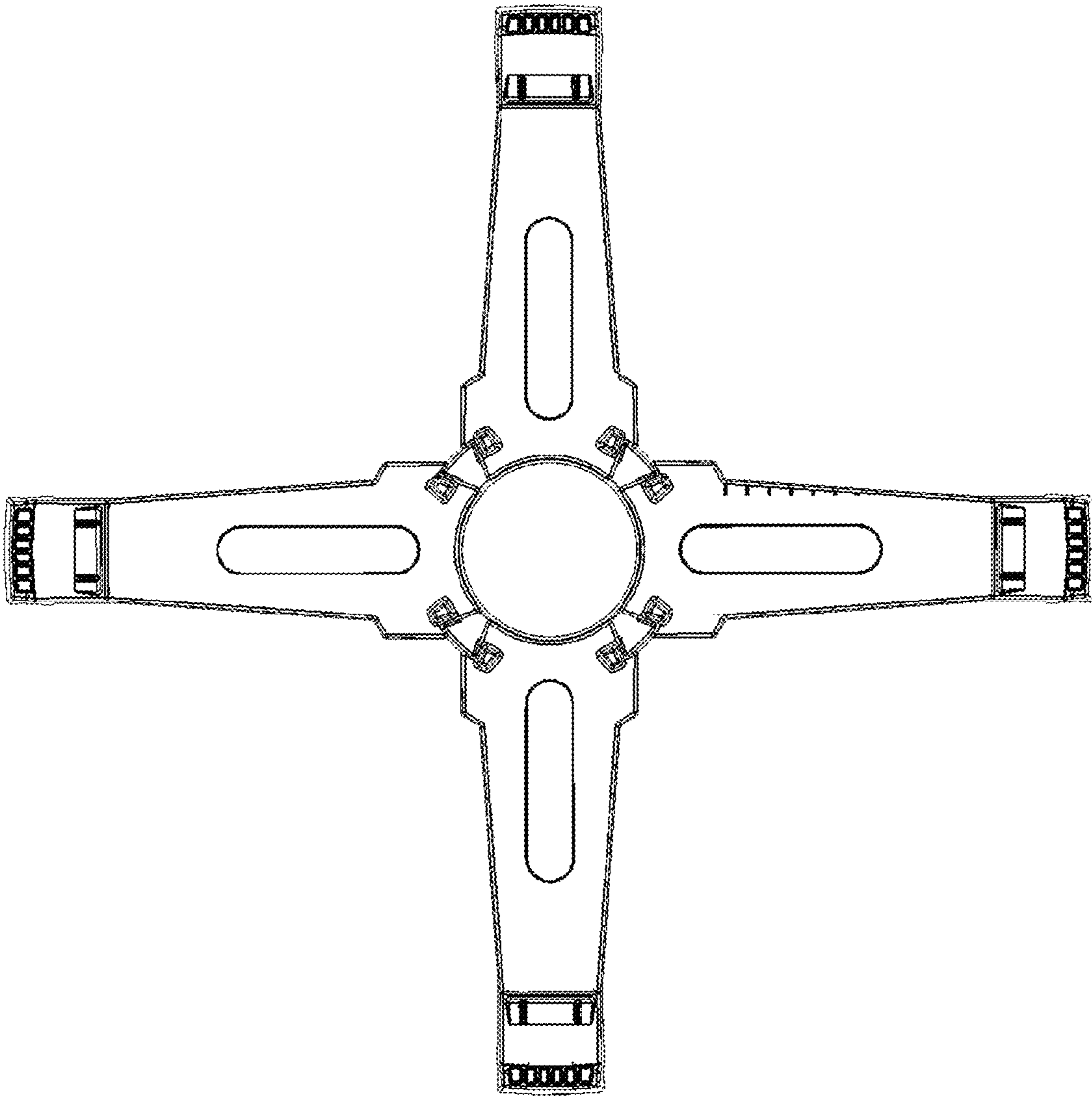


Fig. 9

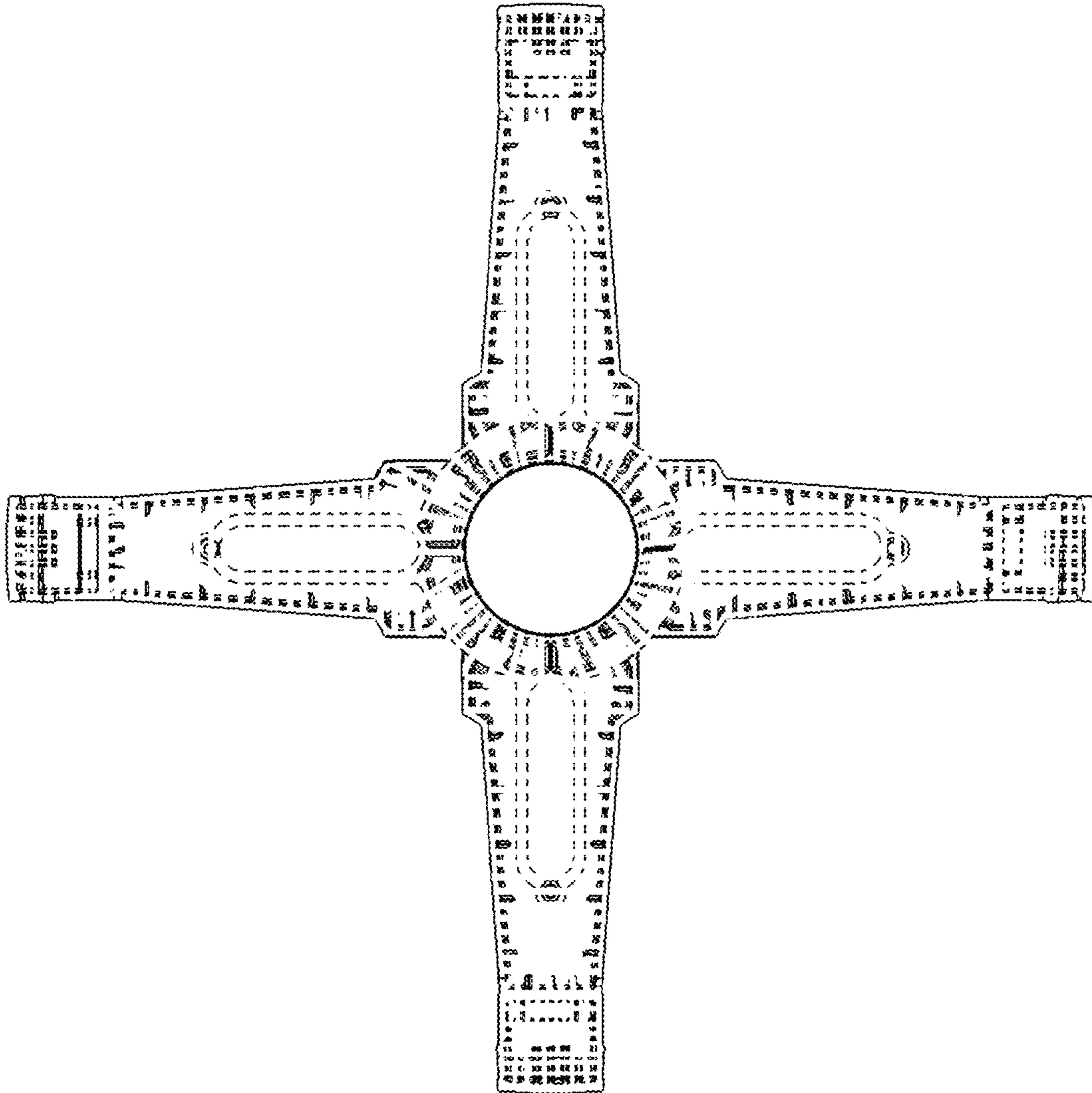


Fig. 10

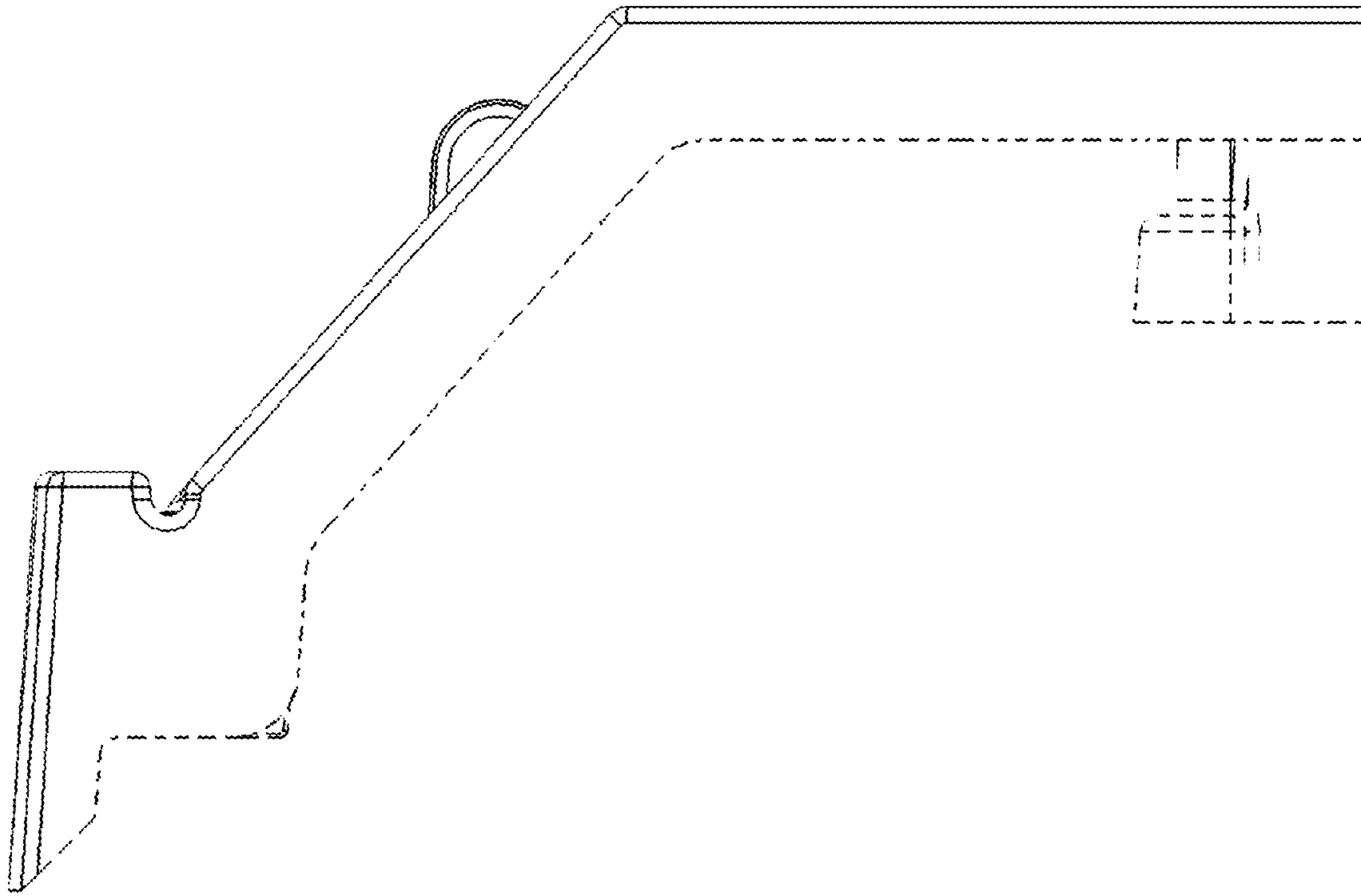


Fig. 11

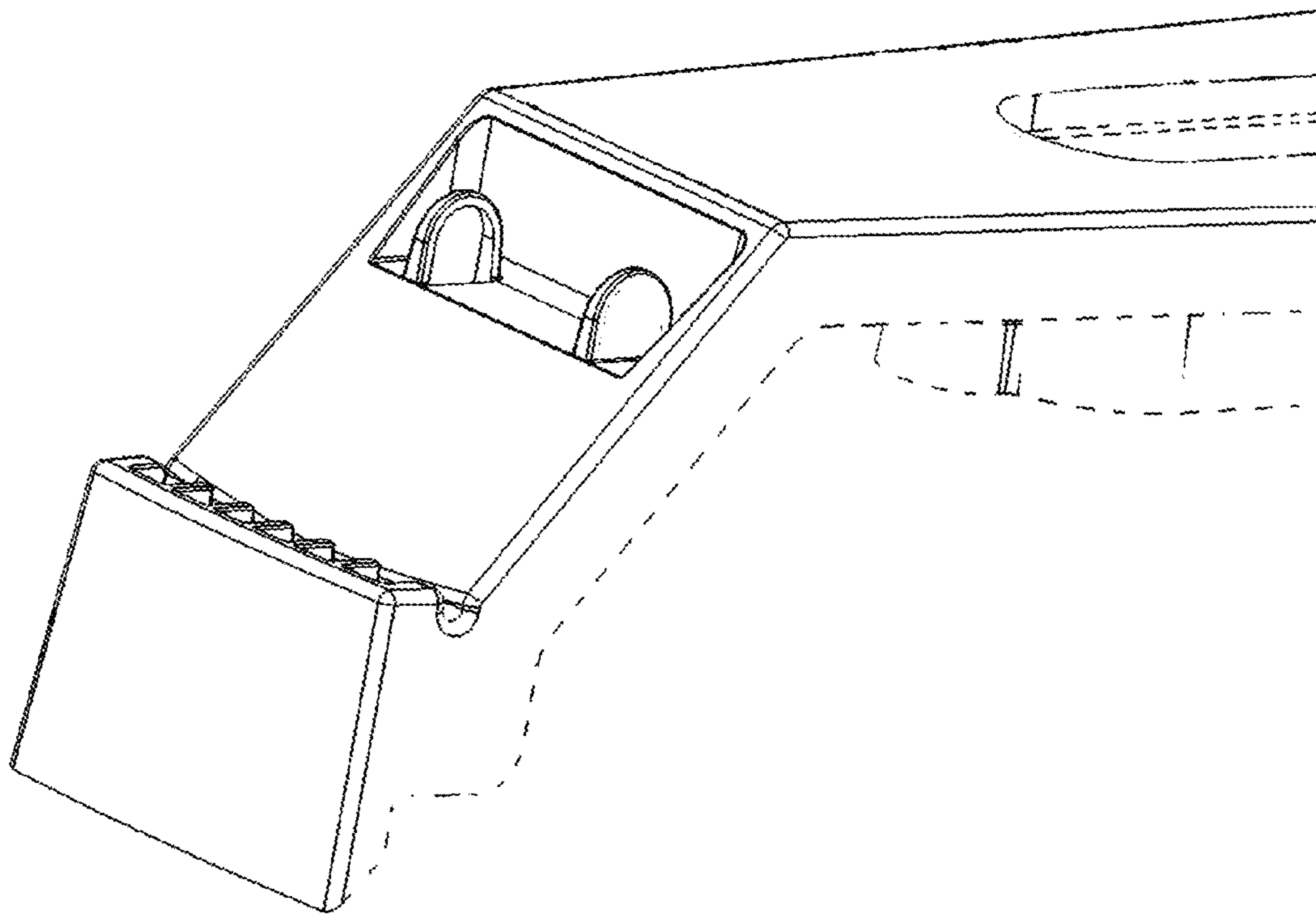


Fig. 12

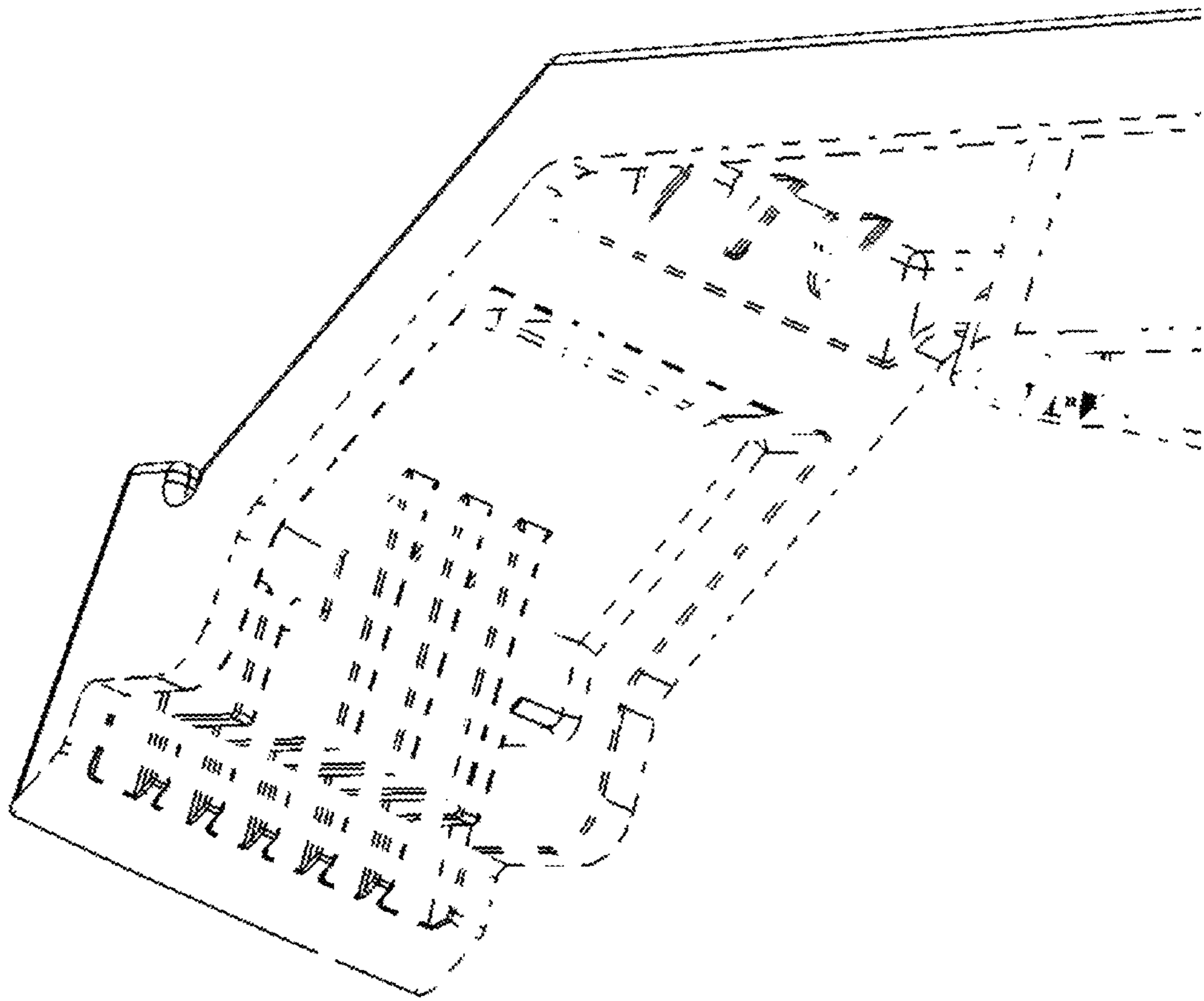


Fig. 13