



US00D702567S

(12) **United States Design Patent**  
**Monachon**

(10) **Patent No.:** **US D702,567 S**  
(45) **Date of Patent:** **\*\* Apr. 15, 2014**

(54) **WRISTWATCH**

(71) Applicant: **Omega Ltd., Biel/Bienne (CH)**

(72) Inventor: **Jean-Claude Monachon, Bevaix (CH)**

(73) Assignee: **Omega Ltd., Biel/Bienne (CH)**

(\*\*) Term: **14 Years**

(21) Appl. No.: **29/470,245**

(22) Filed: **Oct. 18, 2013**

(30) **Foreign Application Priority Data**

Apr. 19, 2013 (WO) ..... DM/080 654

(51) **LOC (10) Cl.** ..... **10-02**

(52) **U.S. Cl.**  
USPC ..... **D10/32**

(58) **Field of Classification Search**  
USPC ..... D10/30-39, 122-132; 368/276, 281,  
368/282, 80, 223, 228; D11/3, 12  
See application file for complete search history.

(56) **References Cited**

**U.S. PATENT DOCUMENTS**

D65,308 S *	7/1924	Strasser	.....	D10/38
D65,622 S *	9/1924	Strasser	.....	D10/38
2,191,020 A *	2/1940	Kaufmann	.....	224/177
D250,809 S *	1/1979	Perrin	.....	D10/39
D266,058 S *	9/1982	Kanouï	.....	D10/39
D281,957 S *	12/1985	Bulgari	.....	D11/3
D309,576 S *	7/1990	Saurer	.....	D10/39
4,970,708 A *	11/1990	Gagnebin et al.	.....	368/300
D314,153 S *	1/1991	Ratajski	.....	D10/32

D315,311 S *	3/1991	Ratajski	.....	D10/32
D319,027 S *	8/1991	Burgener	.....	D10/39
D324,828 S *	3/1992	Wunderman	.....	D10/32
D327,437 S *	6/1992	Bulgari	.....	D10/32
D327,438 S *	6/1992	Bulgari	.....	D10/32
5,373,484 A *	12/1994	Rappo et al.	.....	368/282
5,398,218 A *	3/1995	Munnier et al.	.....	368/282
D409,503 S *	5/1999	Giugiaro	.....	D10/32
D476,907 S *	7/2003	Calvani et al.	.....	D10/32
D525,537 S *	7/2006	Monachon	.....	D10/32
D564,910 S *	3/2008	Rabassa	.....	D10/39
D580,793 S *	11/2008	Kawashima	.....	D10/32
D617,662 S *	6/2010	Monachon	.....	D10/32
D674,710 S *	1/2013	Monachon	.....	D10/32
D687,724 S *	8/2013	Jamin	.....	D10/39

\* cited by examiner

*Primary Examiner* — Lucy Lieberman

(74) *Attorney, Agent, or Firm* — Donald J. Ranft; Collen IP

(57) **CLAIM**

The ornamental design for a wristwatch, as shown and described.

**DESCRIPTION**

FIG. 1 is a front right perspective view of a wristwatch showing my new design;  
FIG. 2 is a front view thereof;  
FIG. 3 is a rear view thereof;  
FIG. 4 is a left side view thereof;  
FIG. 5 is a right side view thereof;  
FIG. 6 is a top view thereof; and,  
FIG. 7 is a bottom view thereof.  
The portions of the wristwatch shown in broken lines form no part of the claimed design.

**1 Claim, 7 Drawing Sheets**



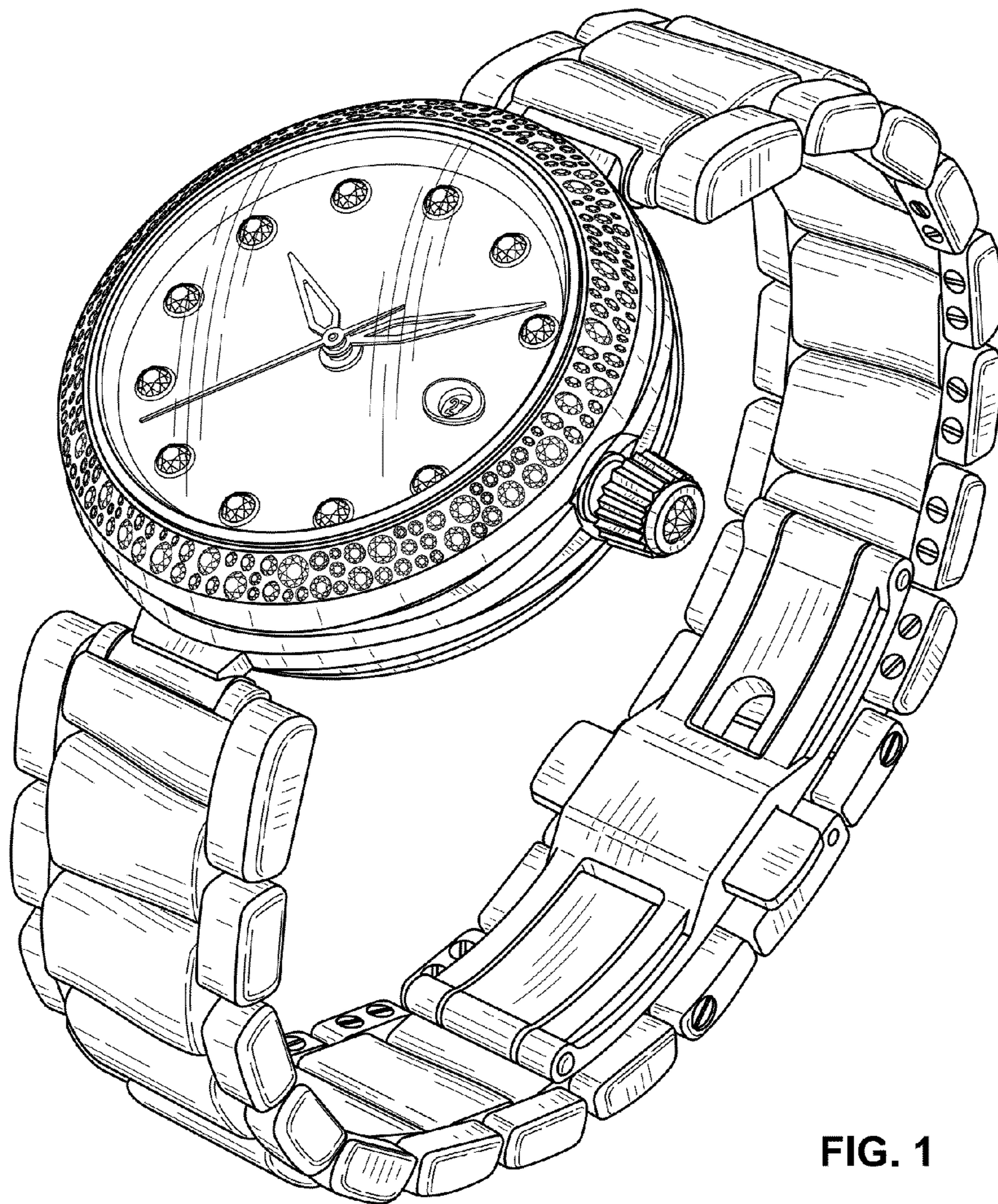


FIG. 1



FIG. 2

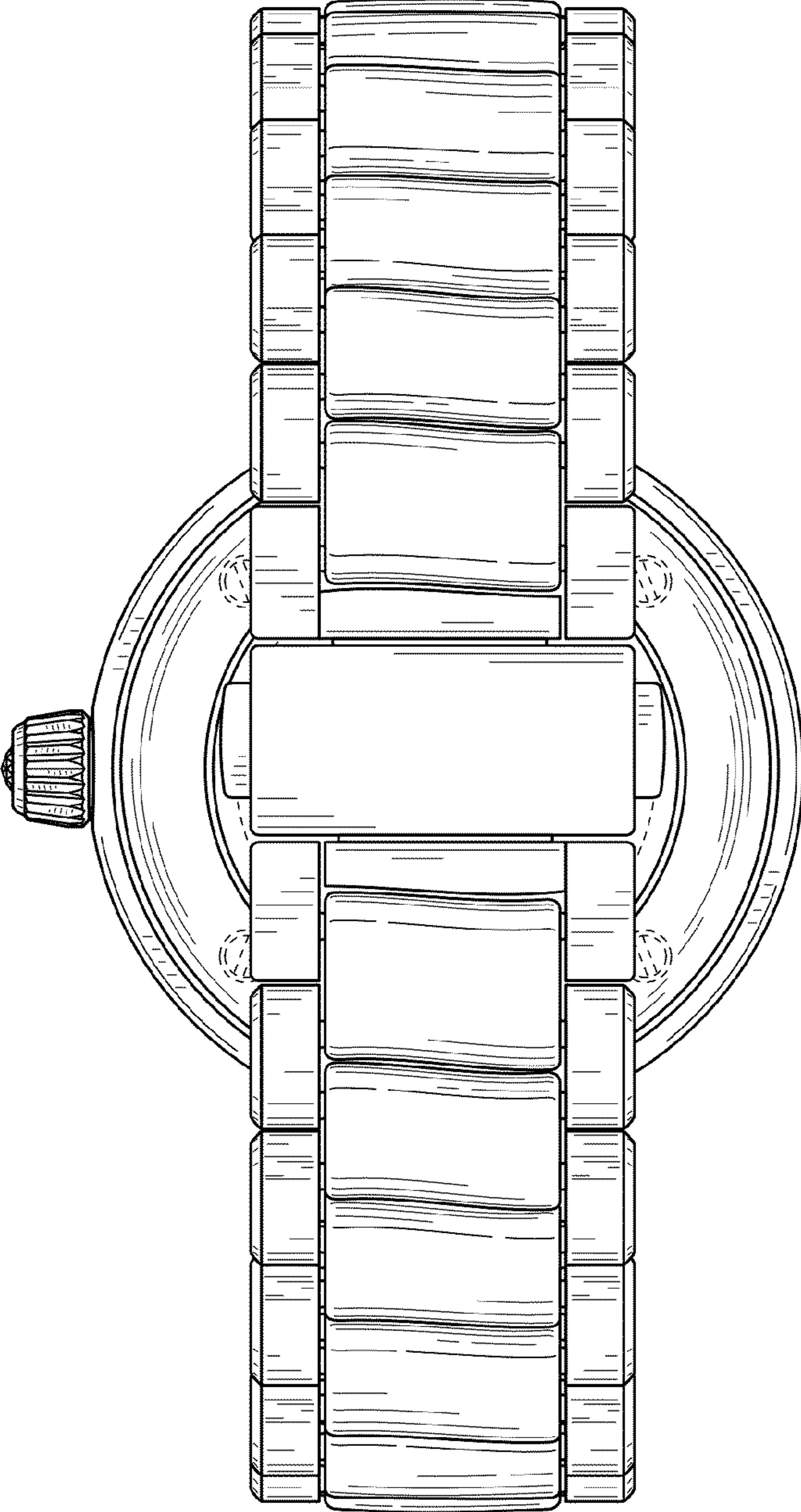


FIG. 3

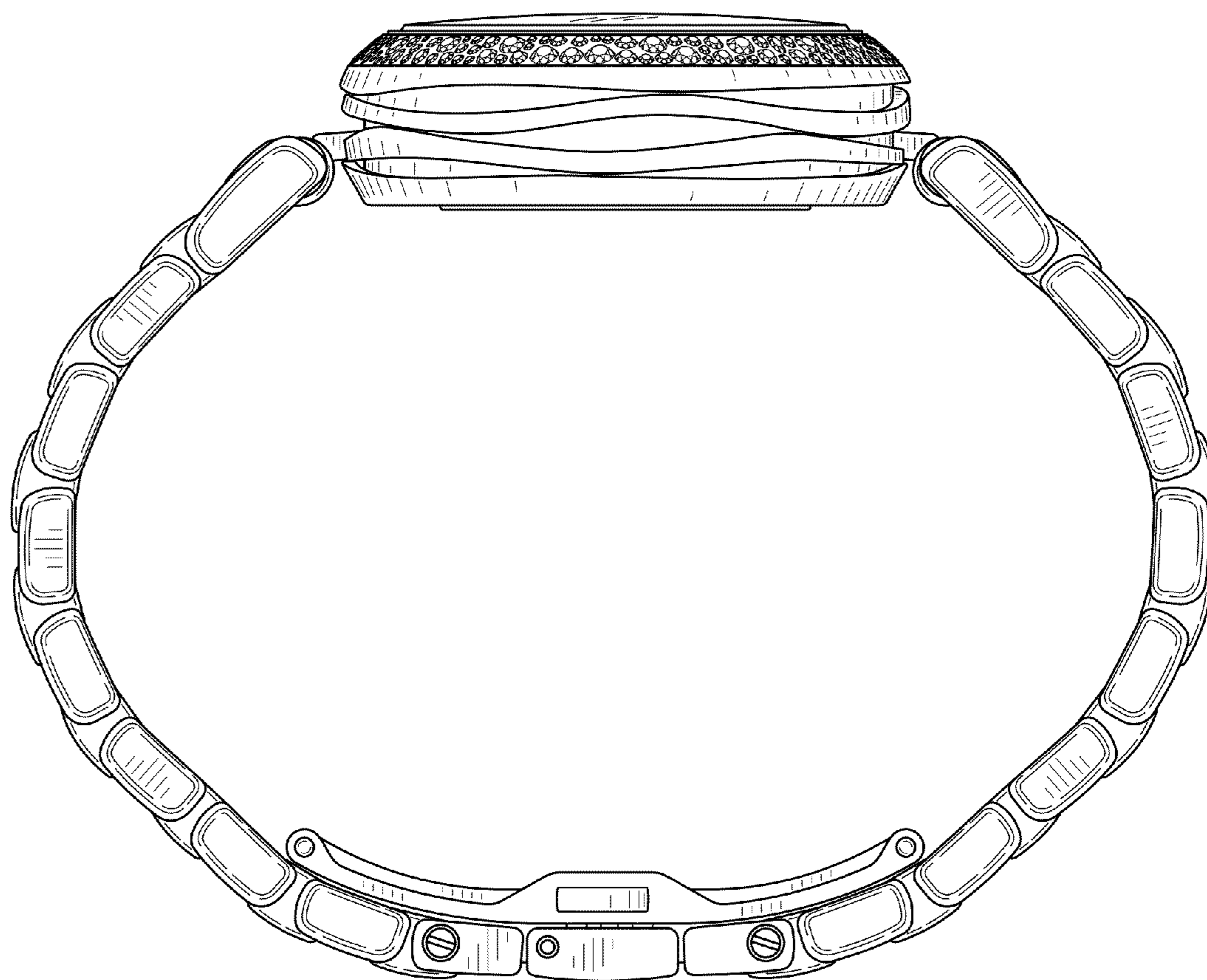


FIG. 4

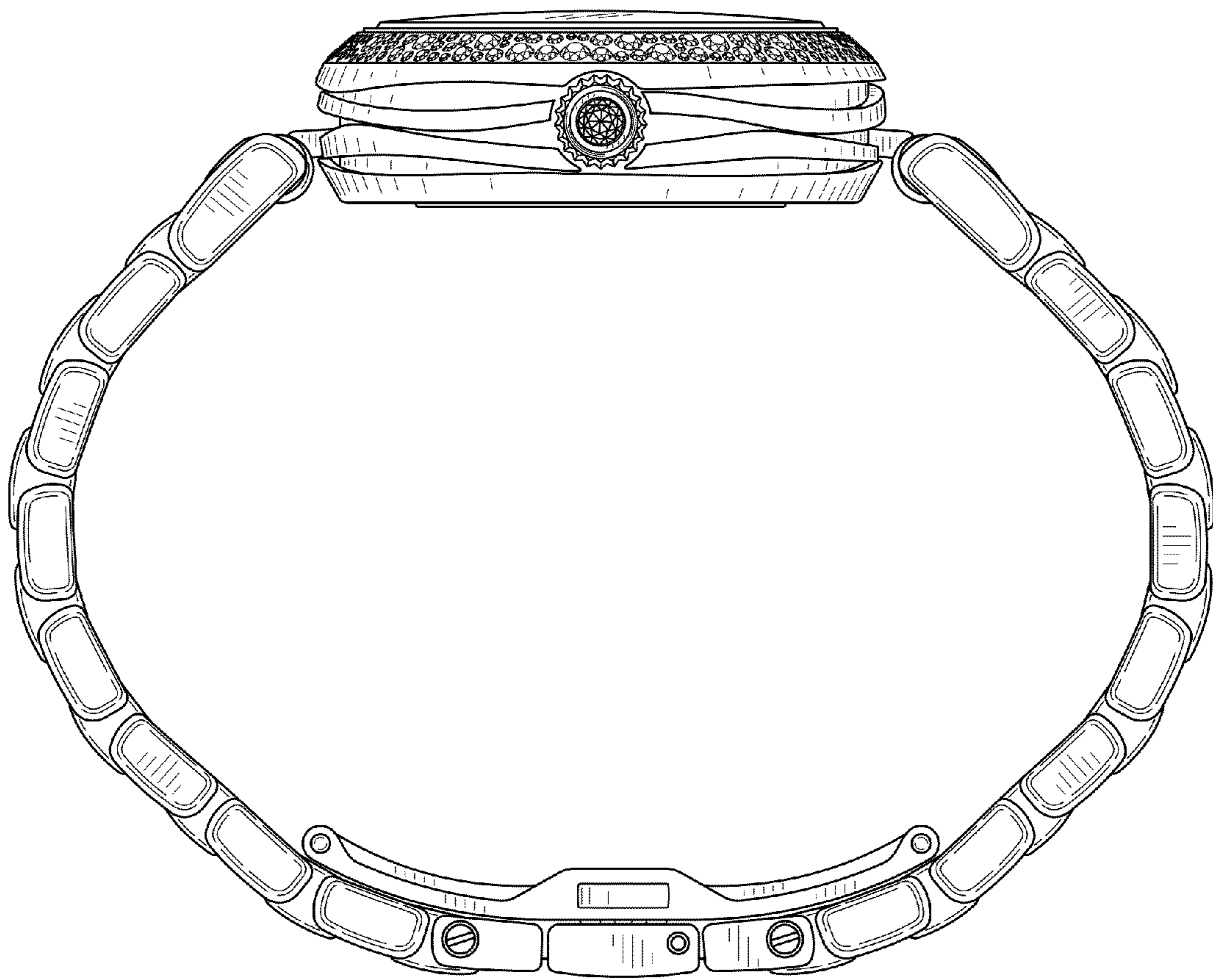


FIG. 5

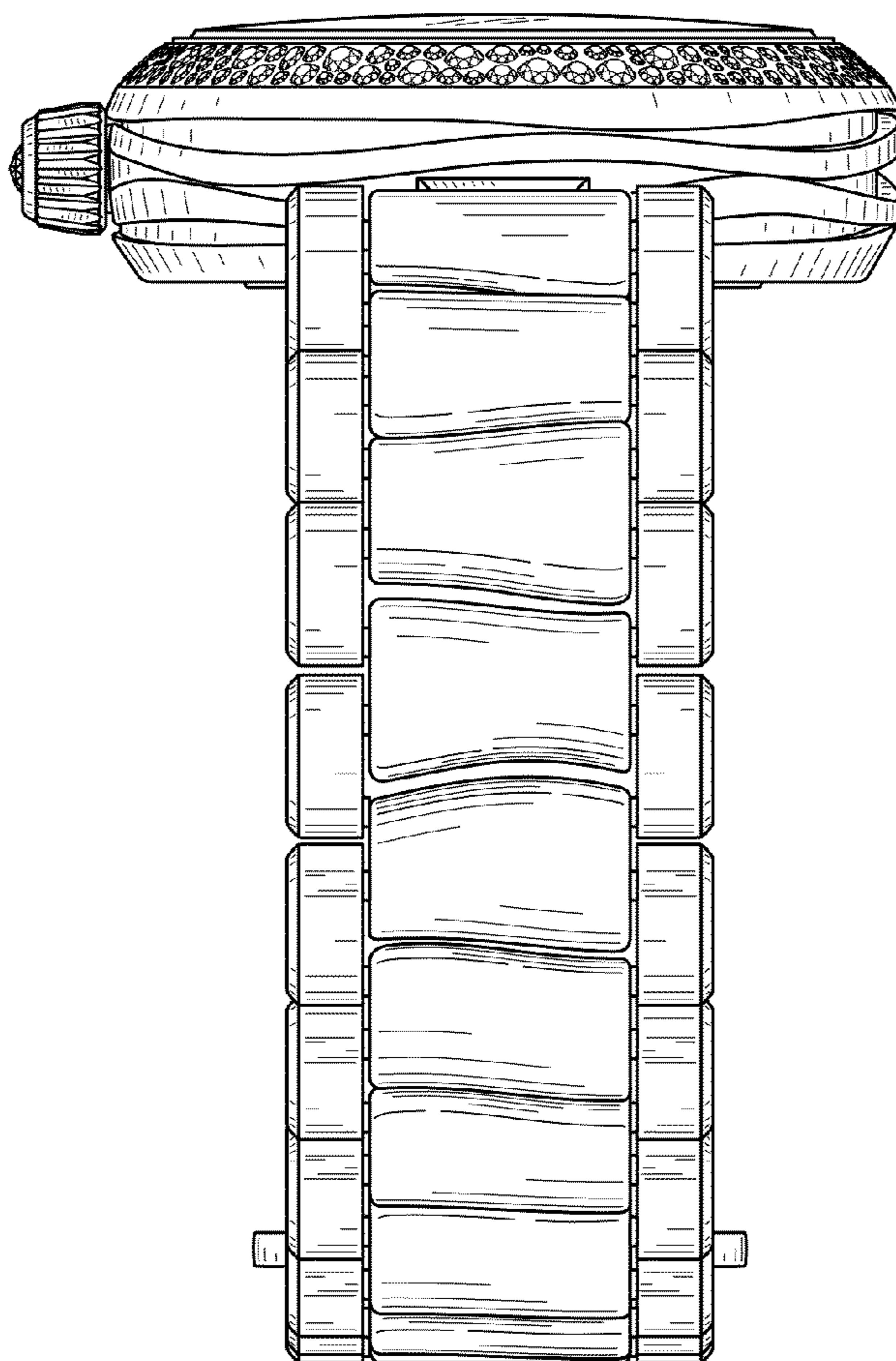


FIG. 6

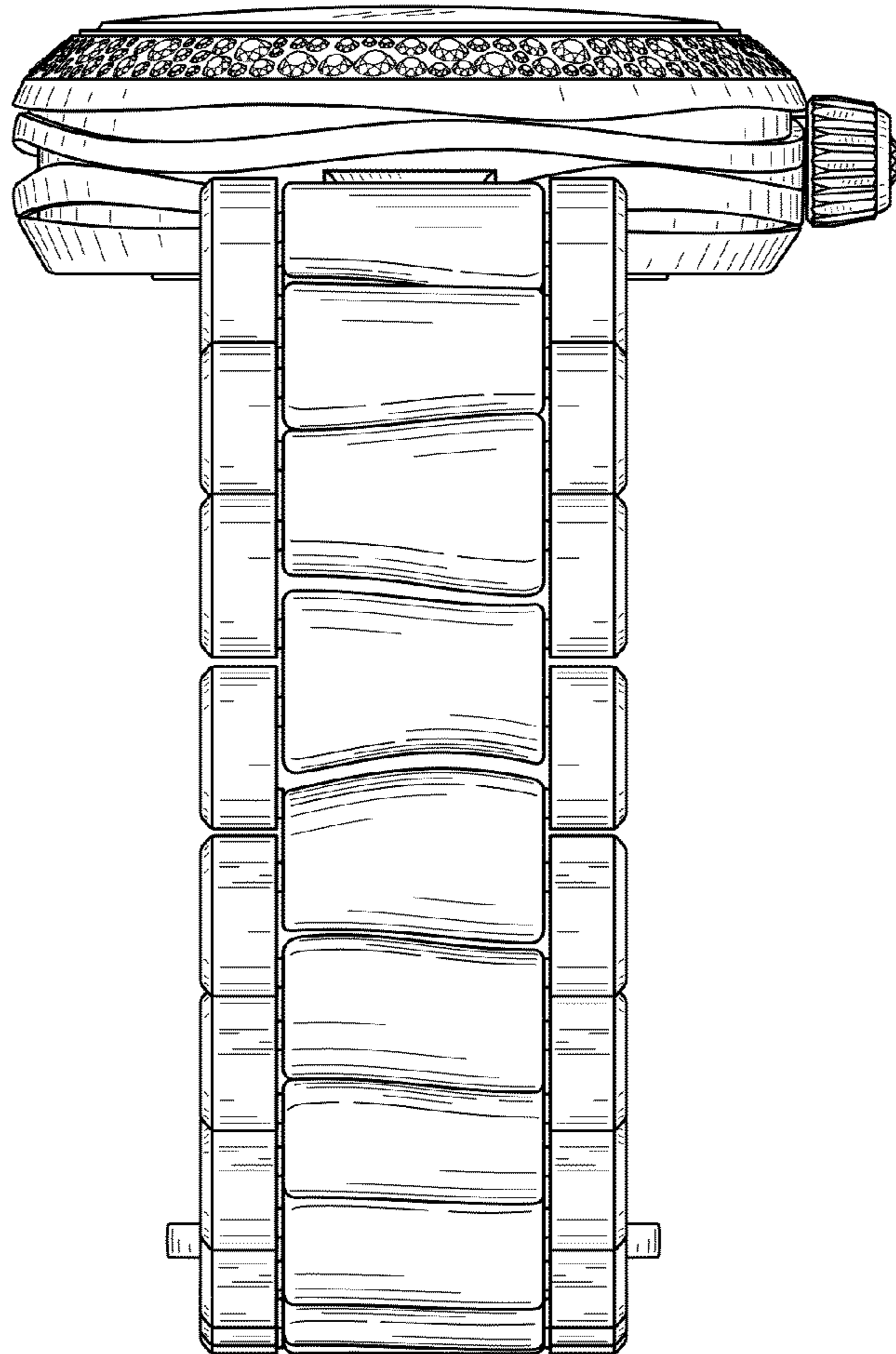


FIG. 7