



US00D702563S

(12) **United States Design Patent**  
**Hartman et al.**

(10) **Patent No.:** **US D702,563 S**  
(45) **Date of Patent:** **\*\* Apr. 15, 2014**

(54) **DEVICE FOR APPLYING A FORMULATION TO SKIN**

(75) Inventors: **John David Hartman**, Chicago, IL (US); **Kim Thuy Nguyen**, Scottsdale, AZ (US)

(73) Assignee: **Wellmark International**, Schaumburg, IL (US)

(\*\*) Term: **14 Years**

(21) Appl. No.: **29/407,663**

(22) Filed: **Nov. 30, 2011**

(51) **LOC (10) Cl.** ..... **09-01**

(52) **U.S. Cl.**  
USPC ..... **D9/723**

(58) **Field of Classification Search**  
USPC ..... D9/418, 414, 417, 428, 440, 572, 573, D9/682, 684, 690, 693, 694, 723-729, 730, D9/732-736; D24/113, 115, 119, 121, D24/130, 188, 197, 207; D3/901; D28/7, D28/76, 73, 82, 83, 99; 222/137, 153.04, 222/165, 209, 212, 213, 226, 228, 255, 256, 222/258, 259, 322, 324, 567, 613, 617, 222/631; 206/38, 438, 823, 828; 221/226, 221/246, 303, 235; 215/381-384

See application file for complete search history.

(56) **References Cited**

U.S. PATENT DOCUMENTS

4,183,328 A 1/1980 Lawrence  
5,183,006 A 2/1993 Robinson  
5,396,730 A 3/1995 VanGundy et al.  
5,575,403 A 11/1996 Charlton et al.  
6,035,806 A 3/2000 Lorenzo  
D456,514 S \* 4/2002 Brown et al. .... D24/169  
D480,635 S \* 10/2003 Caroen ..... D9/414  
D524,167 S \* 7/2006 Wilson ..... D9/730  
D544,092 S \* 6/2007 Lewis ..... D24/108

D544,704 S \* 6/2007 Kenny ..... D3/203.1  
D553,507 S \* 10/2007 Scimone ..... D9/733  
7,279,130 B2 10/2007 Brown  
D601,692 S \* 10/2009 Tout et al. .... D24/108  
D604,631 S \* 11/2009 Duncan ..... D9/600

(Continued)

FOREIGN PATENT DOCUMENTS

FR 2 504 367 A1 10/1982

OTHER PUBLICATIONS

International Search Report of PCT/US2012/036658, mailed on Jul. 30, 2012.

(Continued)

*Primary Examiner* — Derrick Holland

*Assistant Examiner* — Lauren Calve

(74) *Attorney, Agent, or Firm* — Kilpatrick Townsend & Stockton LLP

(57) **CLAIM**

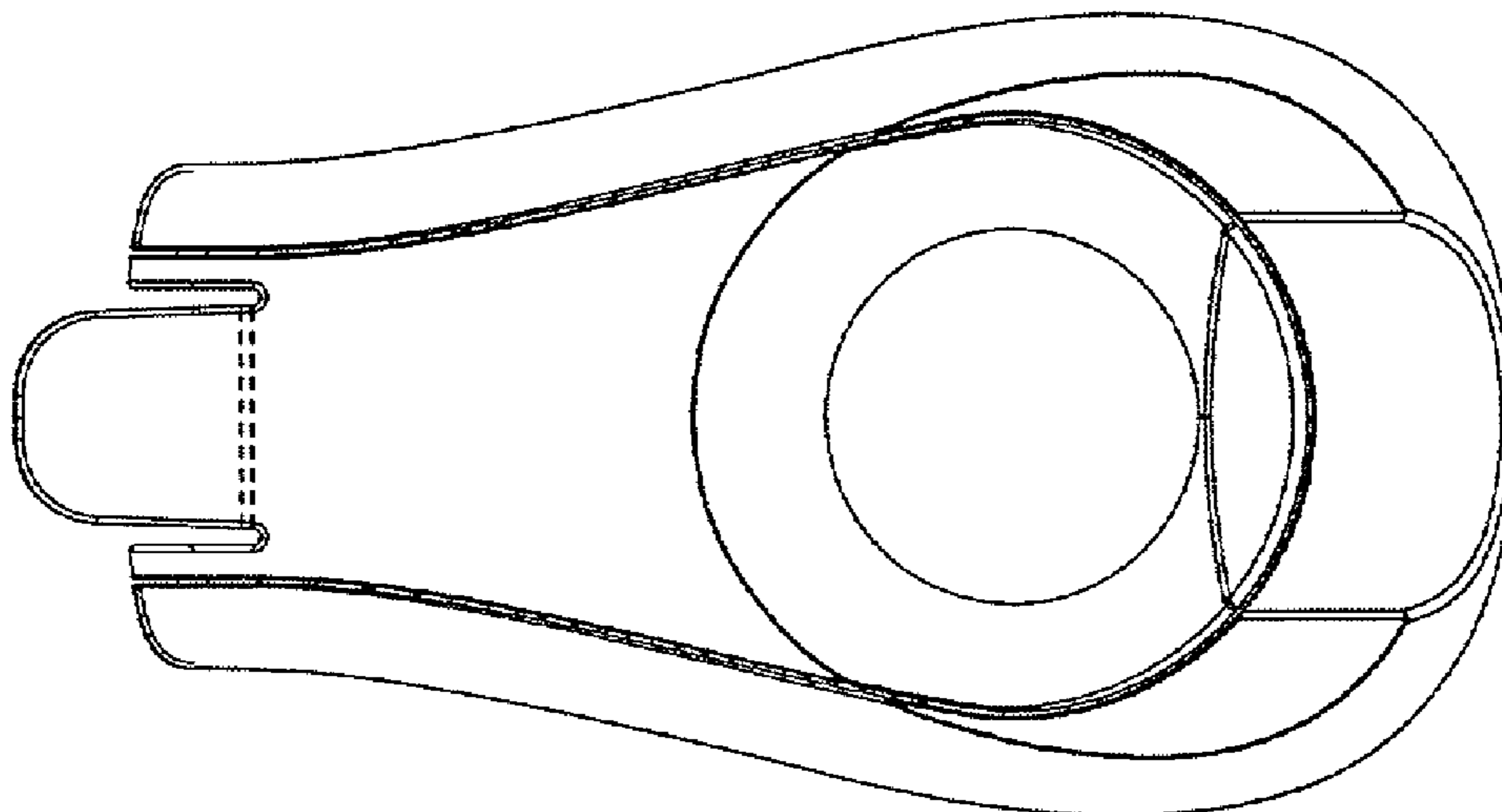
The ornamental design for a device for applying a formulation to skin, as shown and described.

**DESCRIPTION**

FIG. 1 is a top view of a device for applying a formulation to skin showing the new design; FIG. 2 is a front view thereof; FIG. 3 is a right side view thereof; FIG. 4 is a back view thereof; FIG. 5 is a bottom view thereof; FIG. 6 is a perspective view thereof; FIG. 7 is a second perspective view thereof; and, FIG. 8 is a third perspective view thereof shown in an open configuration.

The broken line showing in FIGS. 1, 6 and 7 represent unclaimed subject matter and form no part of the claimed design.

**1 Claim, 1 Drawing Sheet**



(56)

**References Cited**

U.S. PATENT DOCUMENTS

D605,059 S \* 12/2009 Cooper et al. .... D9/730  
D619,798 S \* 7/2010 Leifeld et al. .... D3/203.2  
7,919,045 B2 4/2011 Perry et al.  
D676,549 S 2/2013 Lovell et al.  
8,409,505 B2 4/2013 Flora et al.  
8,545,755 B2 10/2013 Creaven et al.  
2007/0017538 A1 1/2007 Hurwitz

2009/0105673 A1 4/2009 Cascio et al.  
2010/0087790 A1 4/2010 Hurwitz  
2013/0079735 A1 3/2013 Hartman et al.

OTHER PUBLICATIONS

Design U.S. Appl. No. 29/460,146; Office Action mailed Nov. 7, 2013.  
Design U.S. Appl. No. 29/462,659; Office Action mailed Nov. 7, 2013.

\* cited by examiner

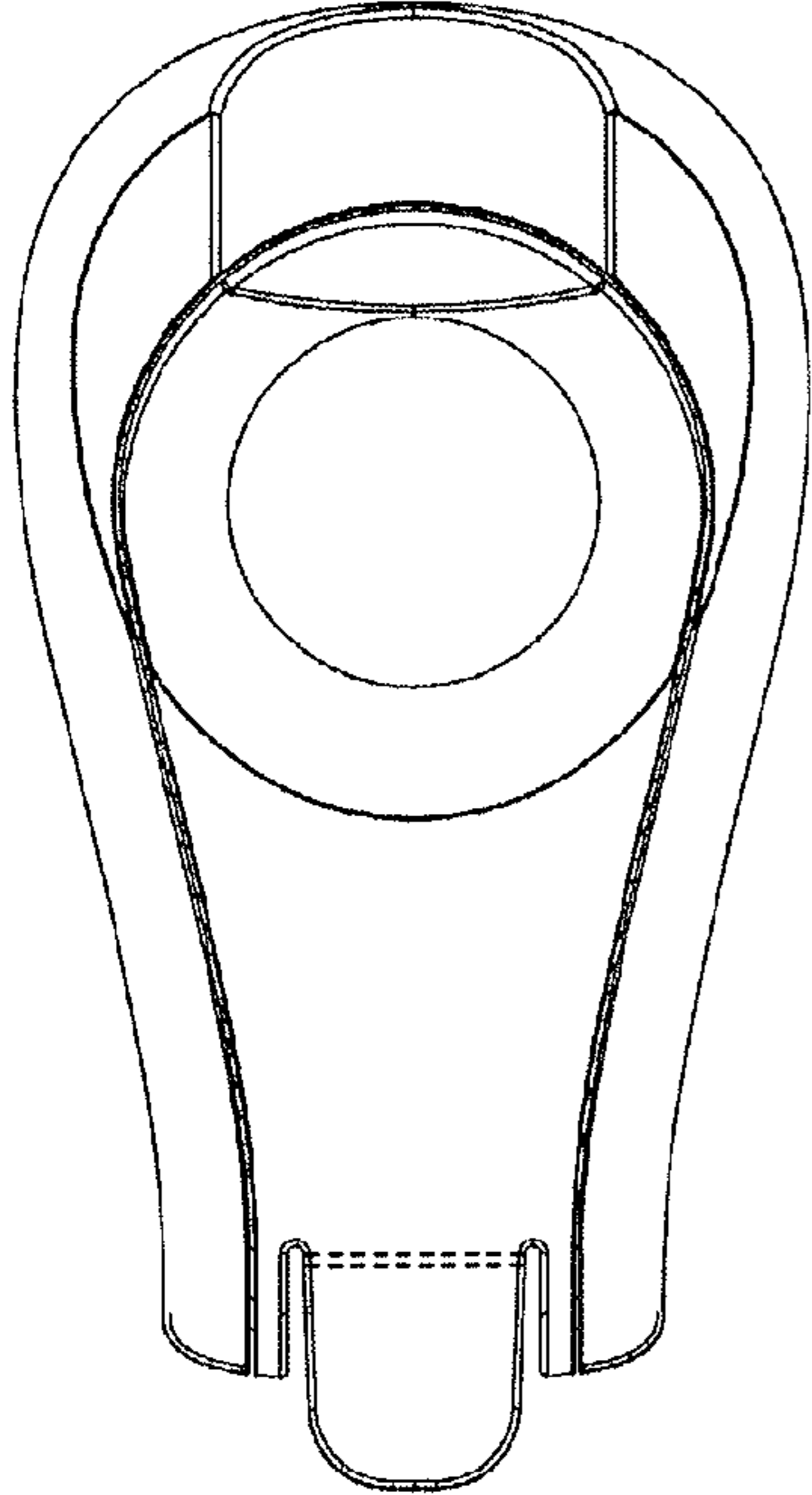


FIG. 1

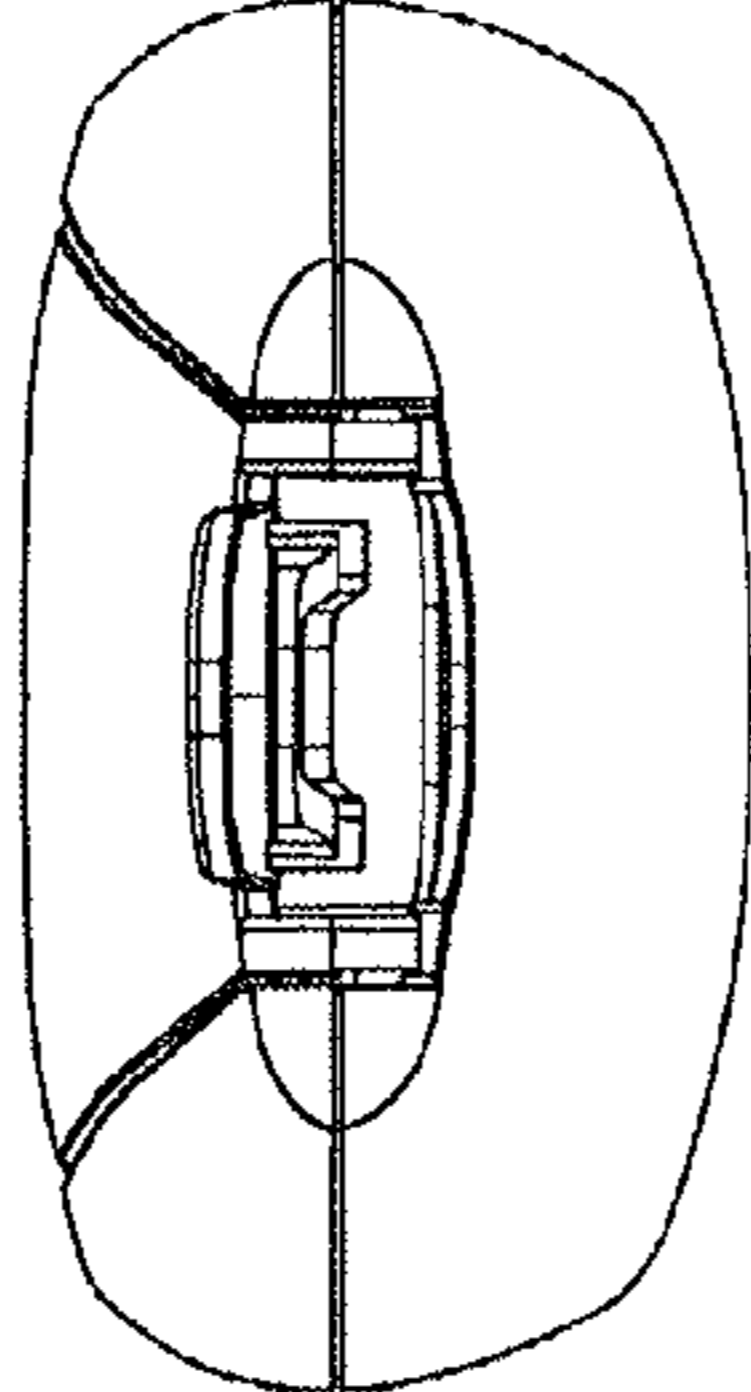


FIG. 2

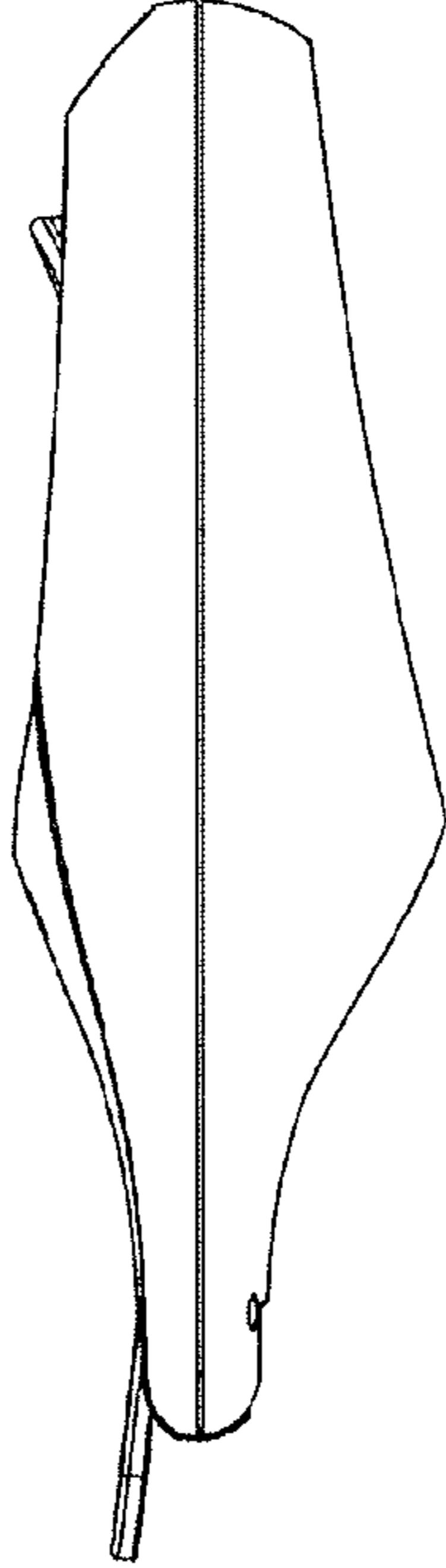


FIG. 3

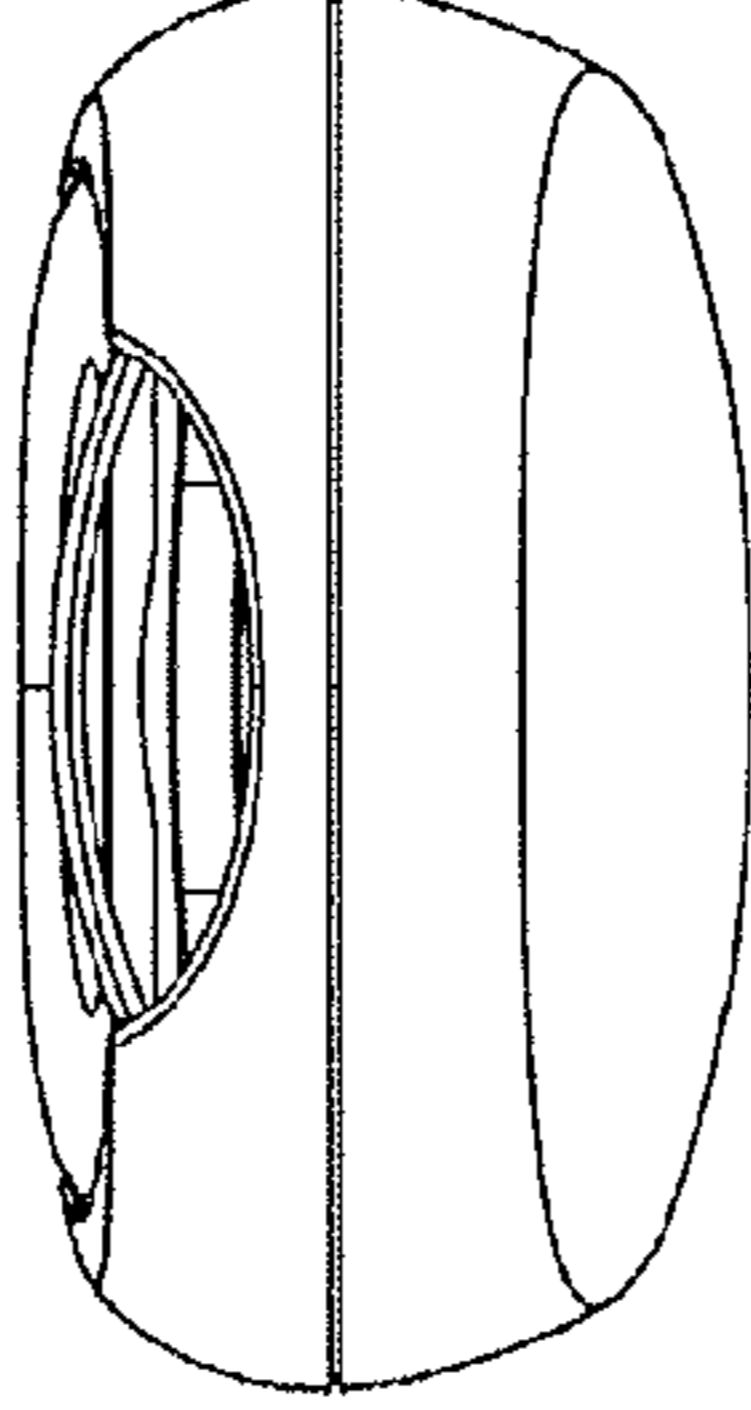


FIG. 4

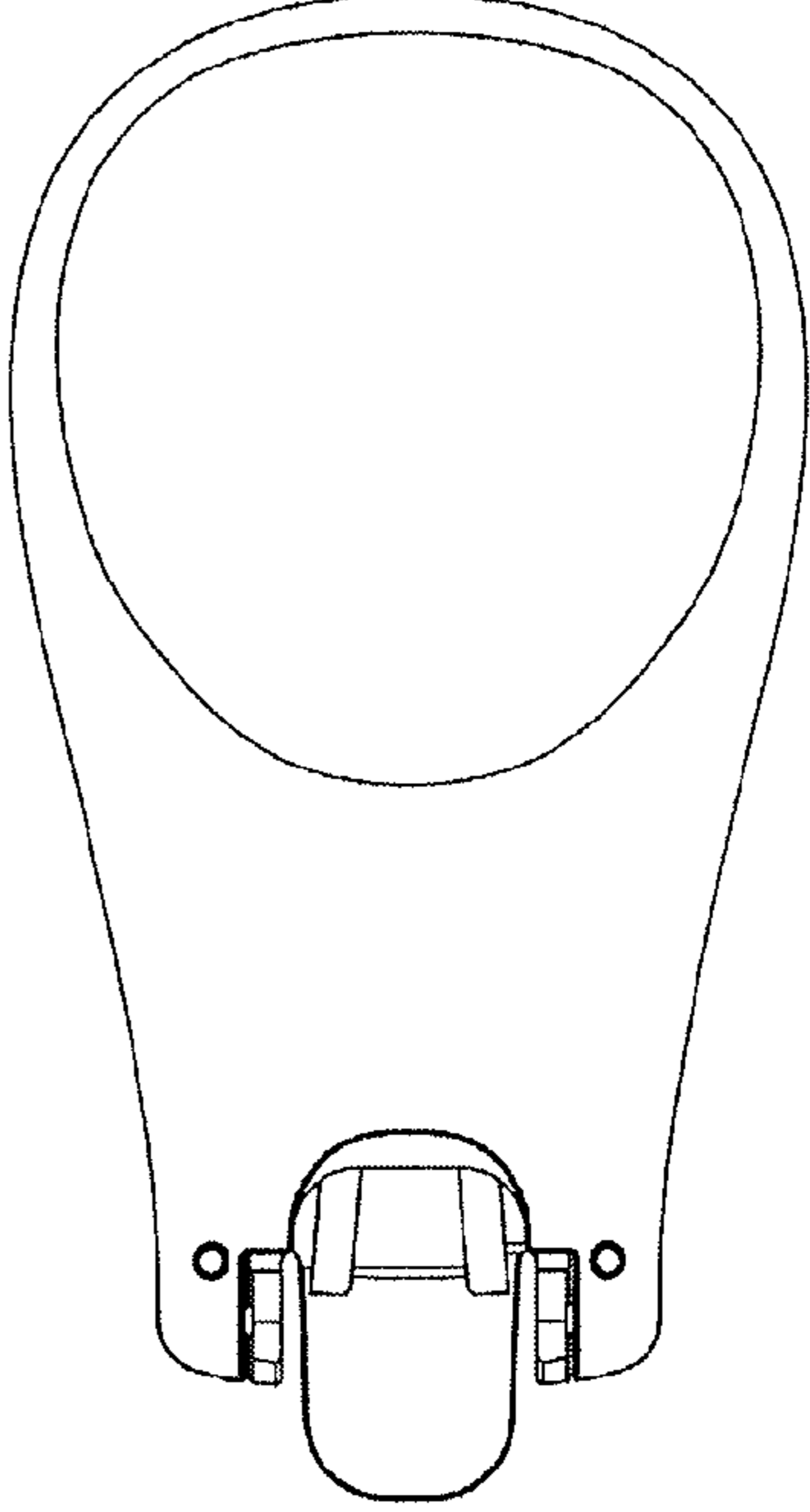


FIG. 5

UNITED STATES PATENT AND TRADEMARK OFFICE  
**CERTIFICATE OF CORRECTION**

PATENT NO. : D702,563 S  
APPLICATION NO. : 29/407663  
DATED : April 15, 2014  
INVENTOR(S) : John David Hartman and Kim Thuy Nguyen

Page 1 of 4

It is certified that error appears in the above-identified patent and that said Letters Patent is hereby corrected as shown below:

On the Title Page:

Second column, in the "Description" section, line 15: please delete "1 Claim, 1 Drawing Sheet" and insert --1 Claim, 3 Drawing Sheets-- as appears on attached Title Page.

In the "Drawings" Section:

After the third page, please insert the following figures 6, 7, and 8:

Signed and Sealed this  
Twenty-fourth Day of March, 2015



Michelle K. Lee  
*Director of the United States Patent and Trademark Office*

(12) **United States Design Patent** (10) **Patent No.:** **US D702,563 S**  
**Hartman et al.** (45) **Date of Patent:** **\*\* Apr. 15, 2014**

(54) **DEVICE FOR APPLYING A FORMULATION TO SKIN**

(75) **Inventors:** **John David Hartman, Chicago, IL (US); Kim Thuy Nguyen, Scottsdale, AZ (US)**

(73) **Assignee:** **Wellmark International, Schaumburg, IL (US)**

(\*\*) **Term:** **14 Years**

(21) **Appl. No.:** **29/407,663**

(22) **Filed:** **Nov. 30, 2011**

(51) **LOC (10) Cl.** ..... **09-01**

(52) **U.S. Cl.**

**USPC** ..... **D9/723**

(58) **Field of Classification Search**

**USPC** ..... **D9/418, 414, 417, 428, 440, 572, 573, D9/682, 684, 690, 693, 694, 723-729, 730, D9/732-736; D24/113, 115, 119, 121, D24/130, 188, 197, 207; D3/901; D28/7, D28/76, 73, 82, 83, 99; 222/137, 153.04, 222/165, 209, 212, 213, 226, 228, 255, 256, 222/258, 259, 322, 324, 567, 613, 617, 222/631; 206/38, 438, 823, 828; 221/226, 221/246, 303, 235; 215/381-384**

See application file for complete search history.

(56) **References Cited**

**U.S. PATENT DOCUMENTS**

4,183,328 A 1/1980 Lawrence  
 5,183,006 A 2/1993 Robinson  
 5,396,730 A 3/1995 VanGundy et al.  
 5,575,403 A 11/1996 Charlton et al.  
 6,035,806 A 3/2000 Lorenzo  
 D456,514 S \* 4/2002 Brown et al. .... D24/169  
 D480,635 S \* 10/2003 Caroen ..... D9/414  
 D524,167 S \* 7/2006 Wilson ..... D9/730  
 D544,092 S \* 6/2007 Lewis ..... D24/108

D544,704 S \* 6/2007 Kenny ..... D3/203.1  
 D553,507 S \* 10/2007 Scimone ..... D9/733  
 7,279,130 B2 10/2007 Brown  
 D601,692 S \* 10/2009 Tout et al. .... D24/108  
 D604,631 S \* 11/2009 Duncan ..... D9/600

(Continued)

**FOREIGN PATENT DOCUMENTS**

FR 2 504 367 A1 10/1982

**OTHER PUBLICATIONS**

International Search Report of PCT/US2012/036658, mailed on Jul. 30, 2012.

(Continued)

*Primary Examiner* — Derrick Holland

*Assistant Examiner* — Lauren Calve

(74) *Attorney, Agent, or Firm* — Kilpatrick Townsend & Stockton LLP

(57) **CLAIM**

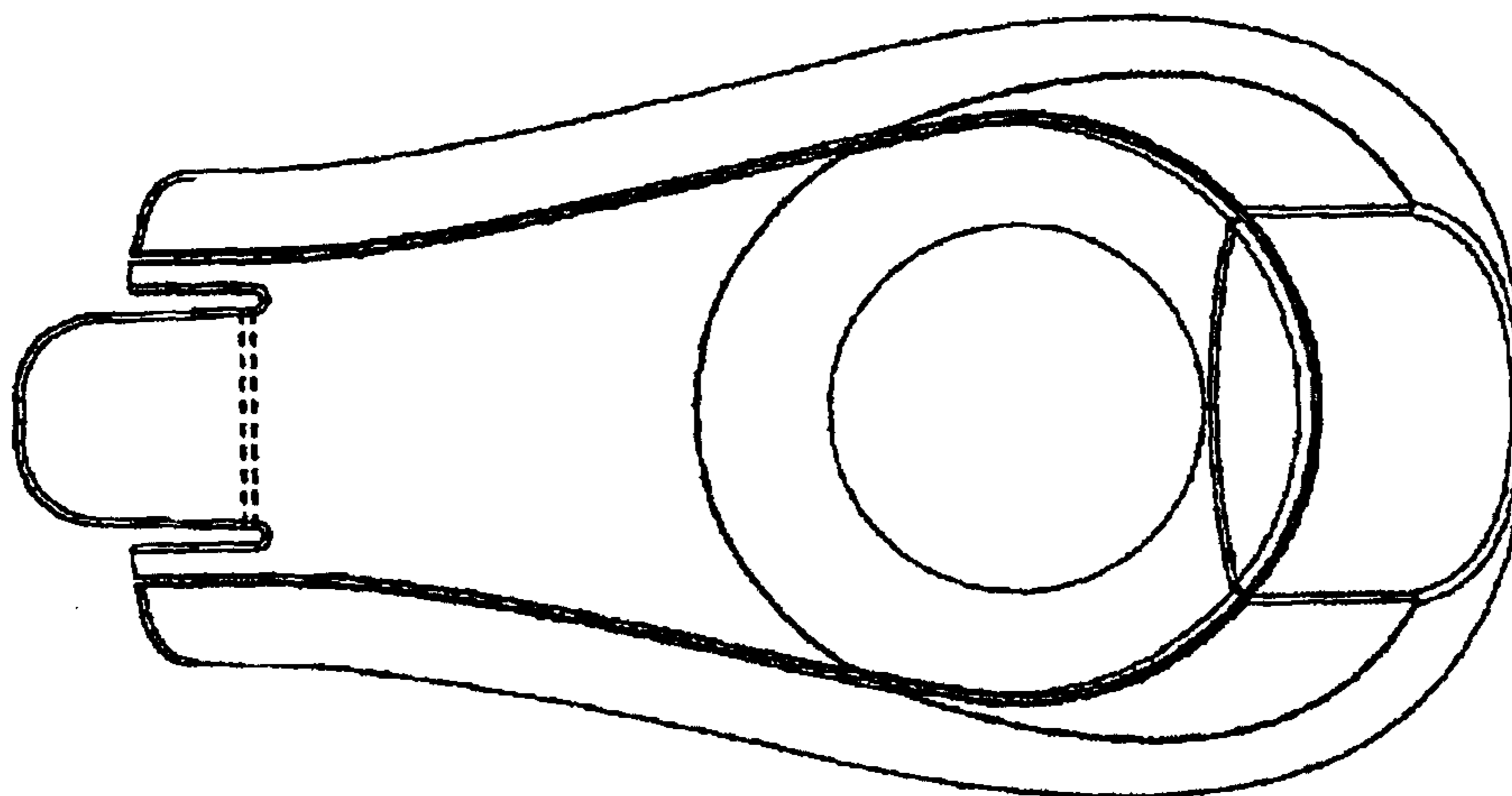
The ornamental design for a device for applying a formulation to skin, as shown and described.

**DESCRIPTION**

FIG. 1 is a top view of a device for applying a formulation to skin showing the new design; FIG. 2 is a front view thereof; FIG. 3 is a right side view thereof; FIG. 4 is a back view thereof; FIG. 5 is a bottom view thereof; FIG. 6 is a perspective view thereof; FIG. 7 is a second perspective view thereof; and, FIG. 8 is a third perspective view thereof shown in an open configuration.

The broken line showing in FIGS. 1, 6 and 7 represent unclaimed subject matter and form no part of the claimed design.

**1 Claim, 3 Drawings Sheet**



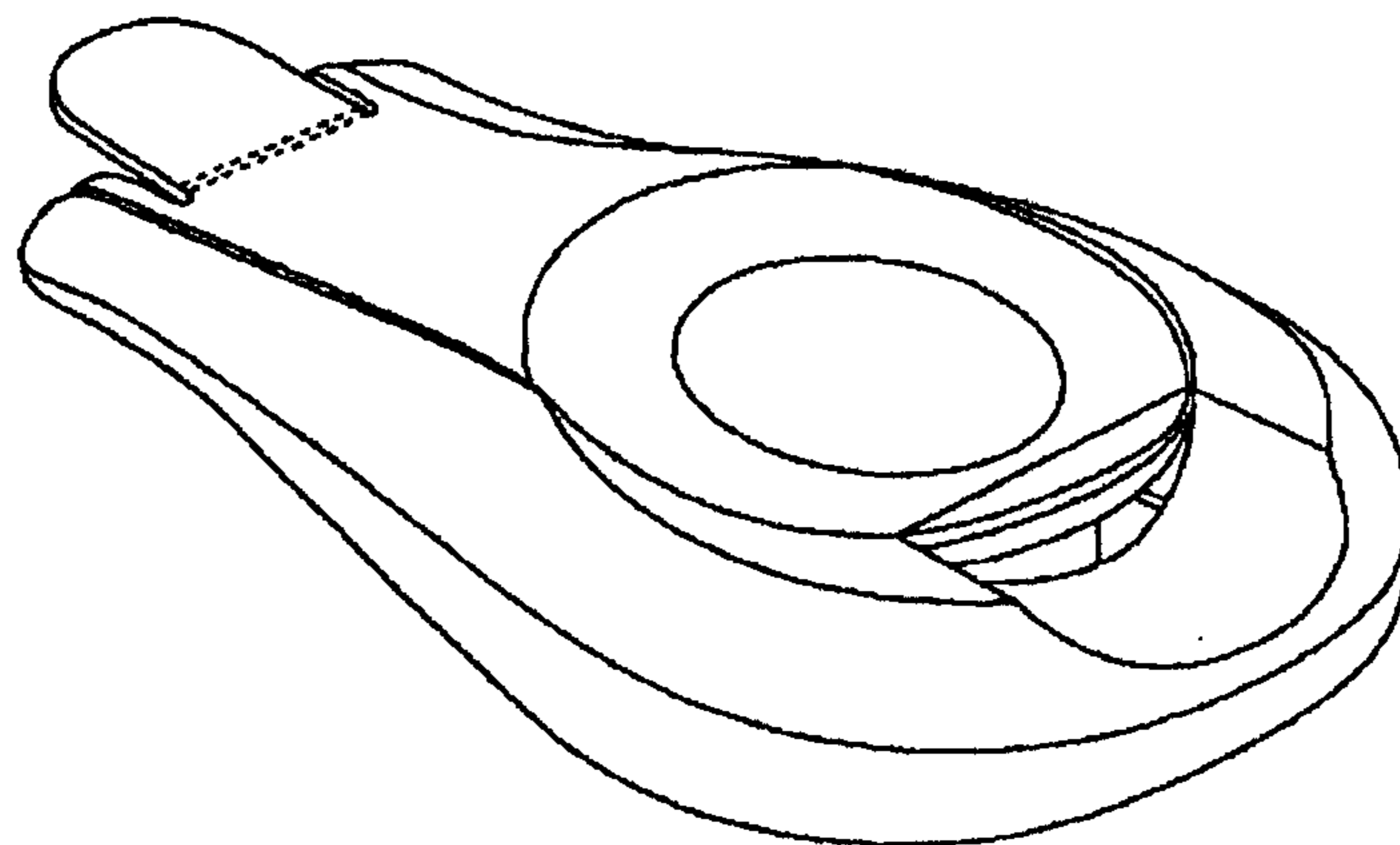


FIG. 6

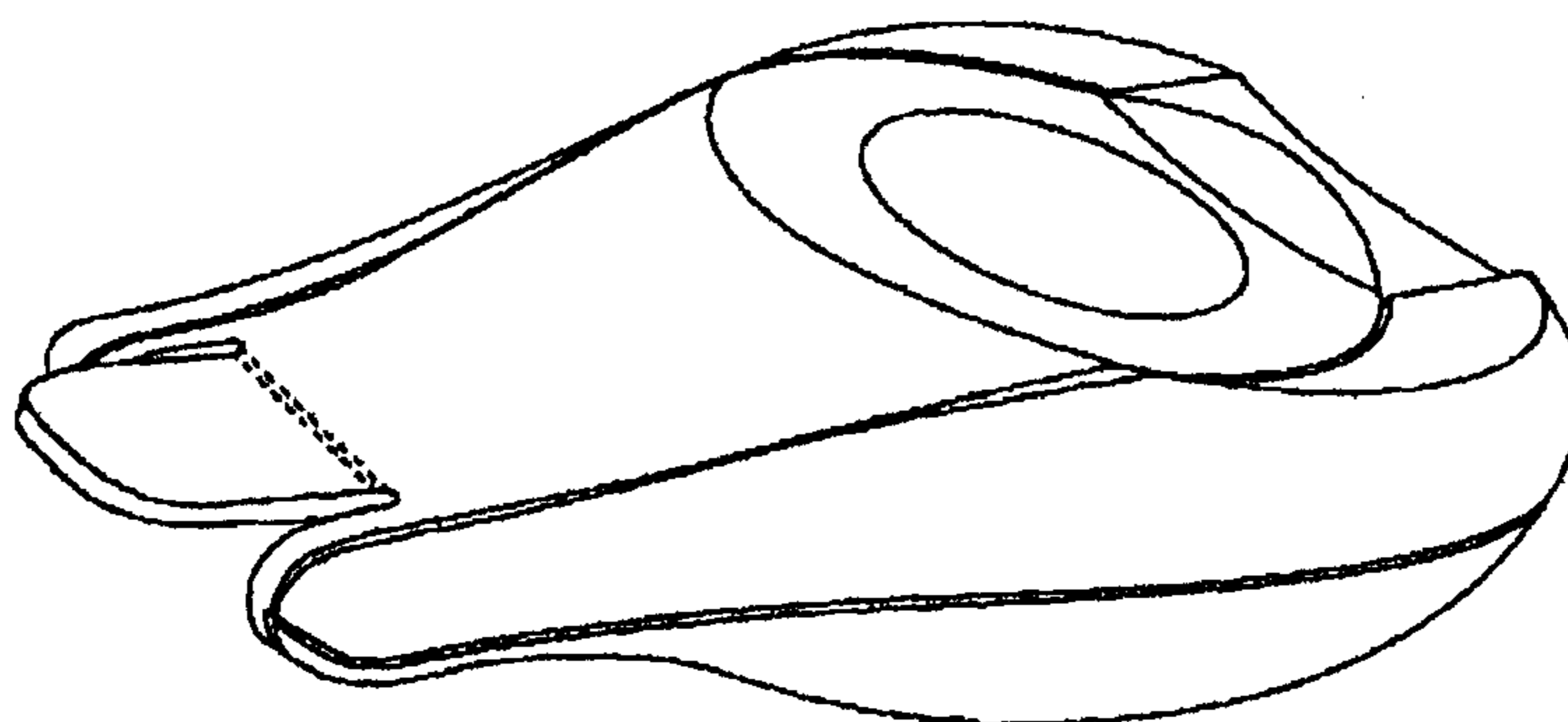


FIG. 7

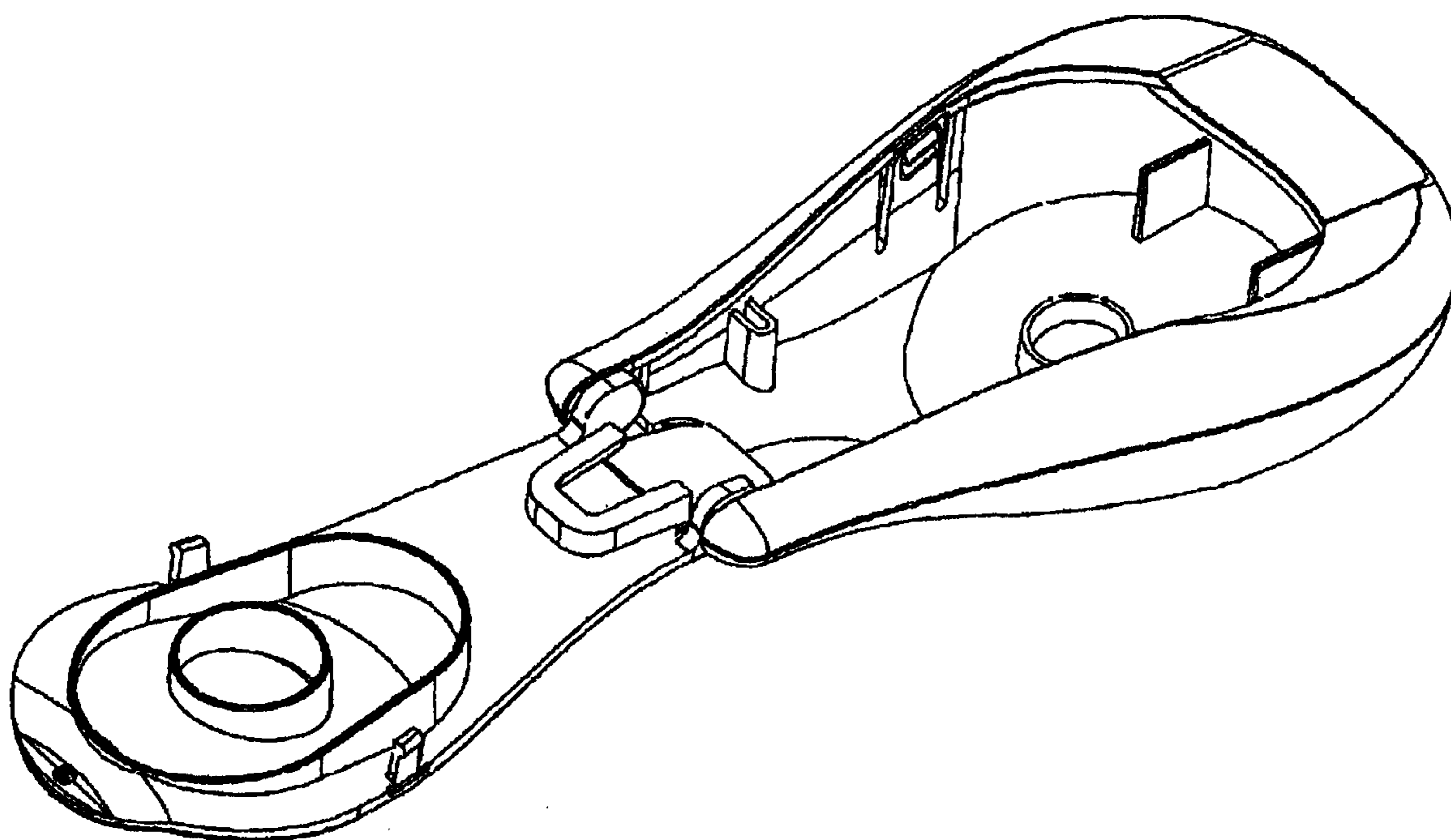


FIG. 8