



US00D702561S

(12) **United States Design Patent**  
**Fournier et al.**

(10) **Patent No.:** **US D702,561 S**

(45) **Date of Patent:** **\*\* Apr. 15, 2014**

(54) **NECKLESS TUBE WITH TOP SEAL**

(56) **References Cited**

(71) Applicant: **Monfitello Inc.**, Lachine (CA)

U.S. PATENT DOCUMENTS

(72) Inventors: **Dominic Fournier**, St. Eugene (CA);  
**Michel Brunet**, Lancaster (CA)

D319,178 S *	8/1991	Katada et al. ....	D9/617
D454,780 S *	3/2002	Leboeuf et al. ....	D9/697
D568,171 S *	5/2008	Kawashima ....	D9/699
D582,786 S *	12/2008	Kunz ....	D9/697
D588,930 S *	3/2009	Kunz ....	D9/697
D606,881 S *	12/2009	Kunz ....	D9/697
D614,505 S *	4/2010	Fallat et al. ....	D9/695
D648,224 S *	11/2011	Spence ....	D9/695
D664,862 S *	8/2012	Smith et al. ....	D9/695
D670,572 S *	11/2012	Bahrami et al. ....	D9/697
D676,333 S *	2/2013	Fracasso ....	D9/697

(73) Assignee: **Monfitello Inc.**, Lachine, Quebec (CA)

(\*\*) Term: **14 Years**

(21) Appl. No.: **29/455,868**

(22) Filed: **May 24, 2013**

\* cited by examiner

(30) **Foreign Application Priority Data**

Nov. 27, 2012 (CA) ..... 148790

(51) **LOC (10) Cl.** ..... **09-03**

(52) **U.S. Cl.**  
USPC ..... **D9/695**

(58) **Field of Classification Search**

USPC ..... D9/702-714, 695-699, 435, 440, 521,  
D9/454, 544, 723-724, 499, 449, 727-728,  
D9/442, 447, 504; 222/92, 96, 107,  
222/527-529, 215, 491, 206, 212-213,  
222/251; 206/438, 822; 220/DIG. 7;  
215/321, 381, 382, 316; 141/114-115

See application file for complete search history.

*Primary Examiner* — Caron D Veynar

*Assistant Examiner* — Abraham Bahta

(74) *Attorney, Agent, or Firm* — Alleman Hall McCoy  
Russell & Tuttle LLP

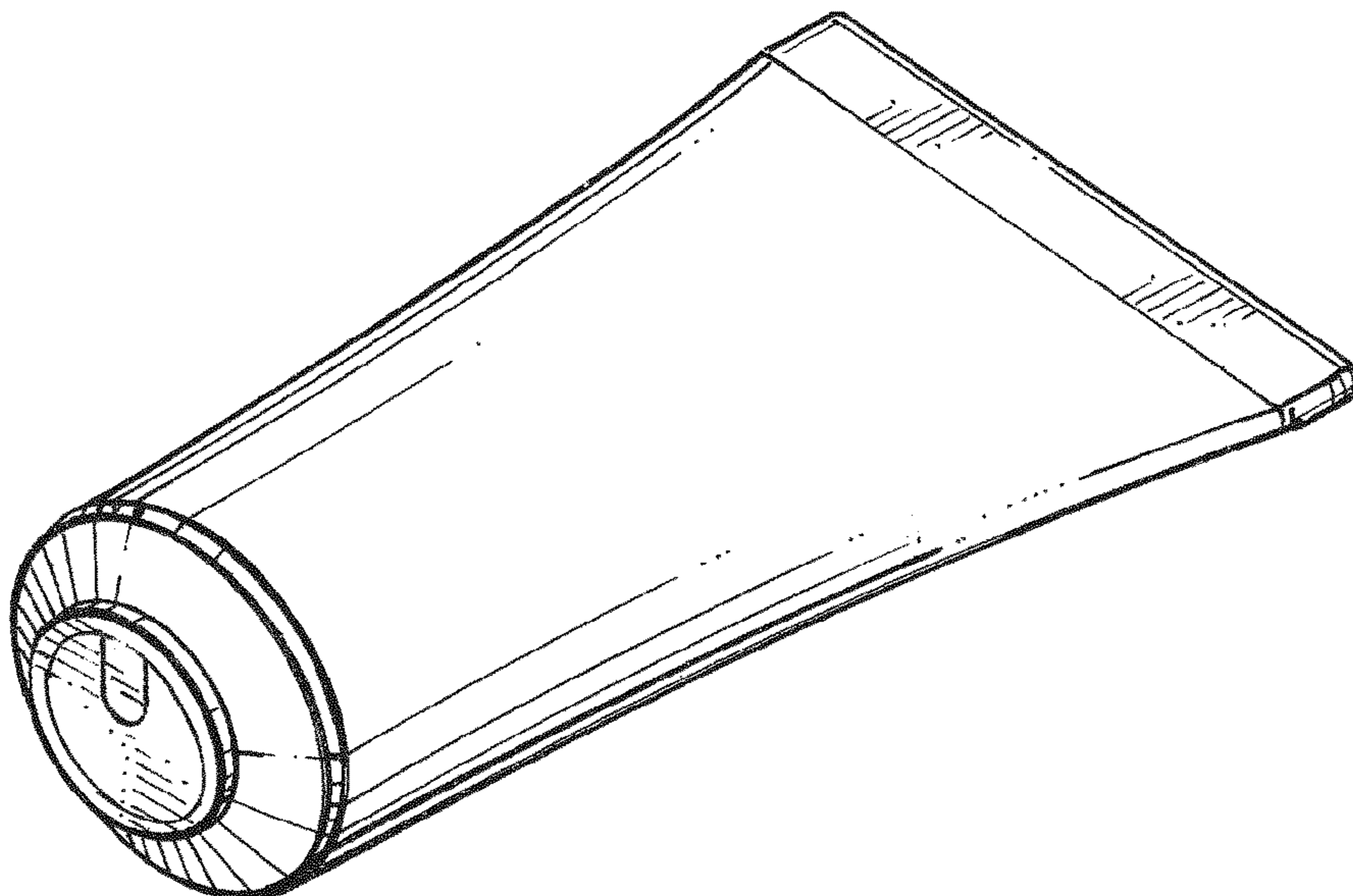
(57) **CLAIM**

The ornamental design for a “neckless tube with top seal,” as shown and described.

**DESCRIPTION**

FIG. 1 is a top view of a neckless tube with top seal;  
FIG. 2 is a bottom view of FIG. 1;  
FIG. 3 is a side view of FIG. 1;  
FIG. 4 is a front/back view of FIG. 1; and,  
FIG. 5 is a top-right view of FIG. 1.

**1 Claim, 2 Drawing Sheets**



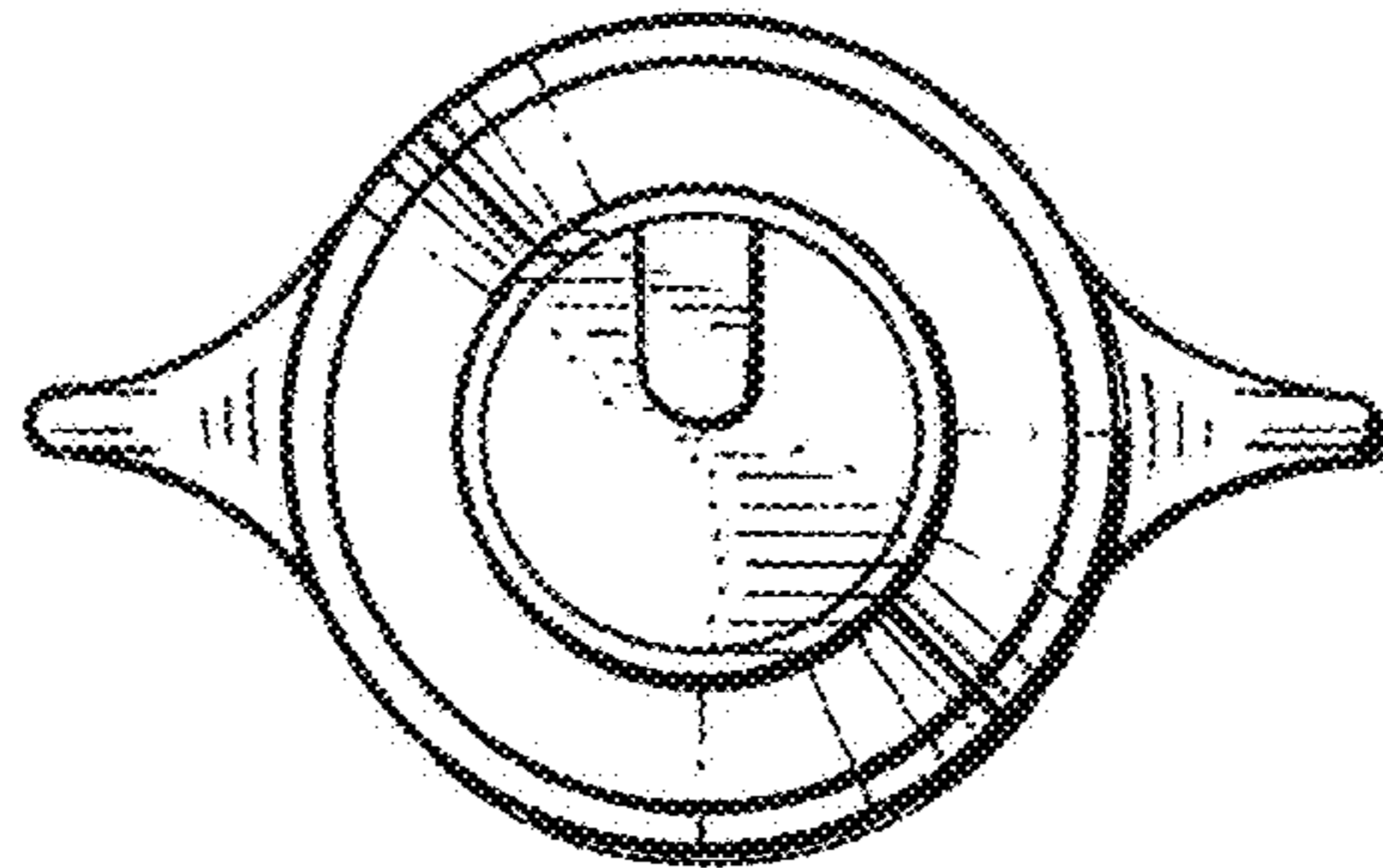


FIG. 1

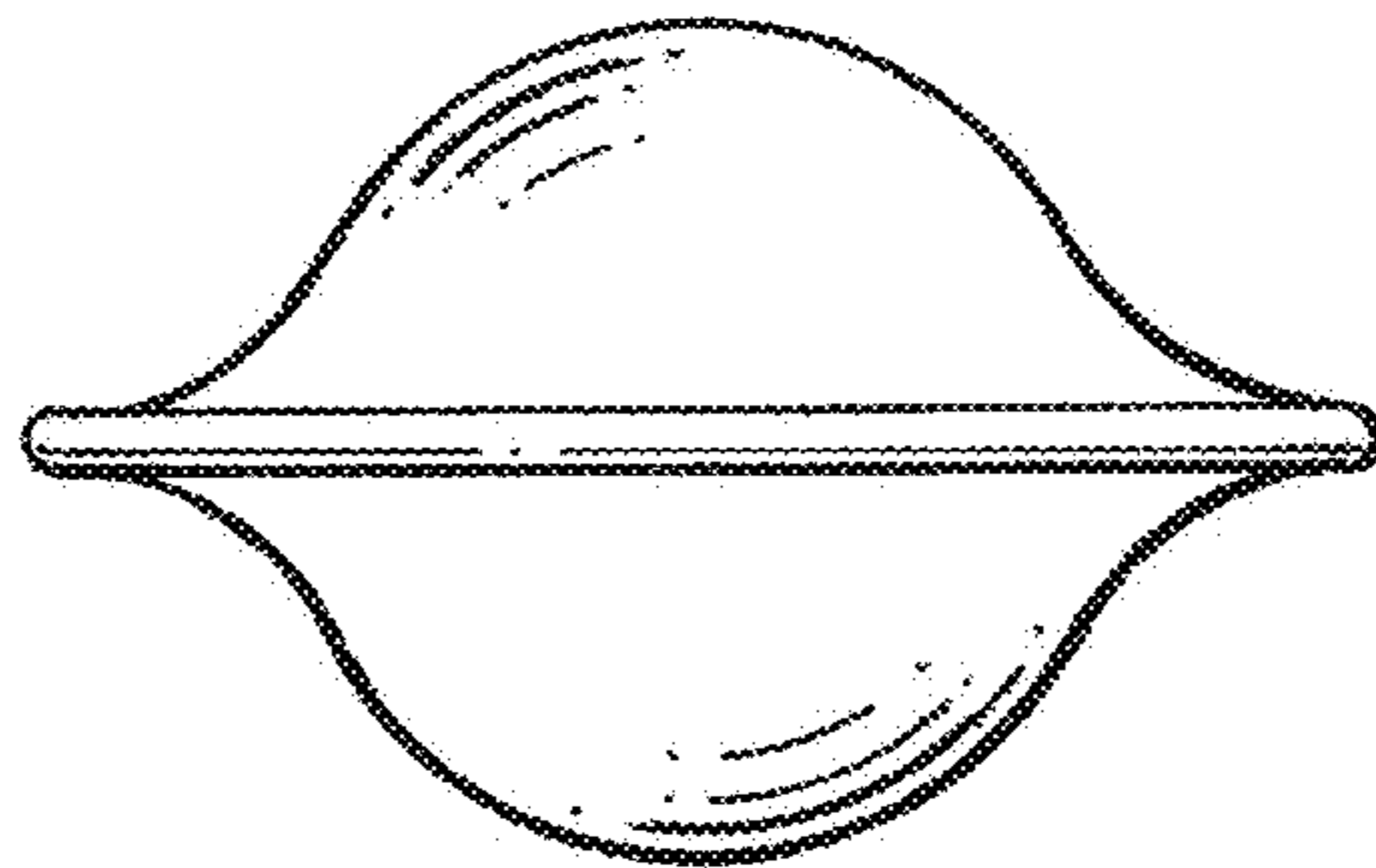


FIG. 2

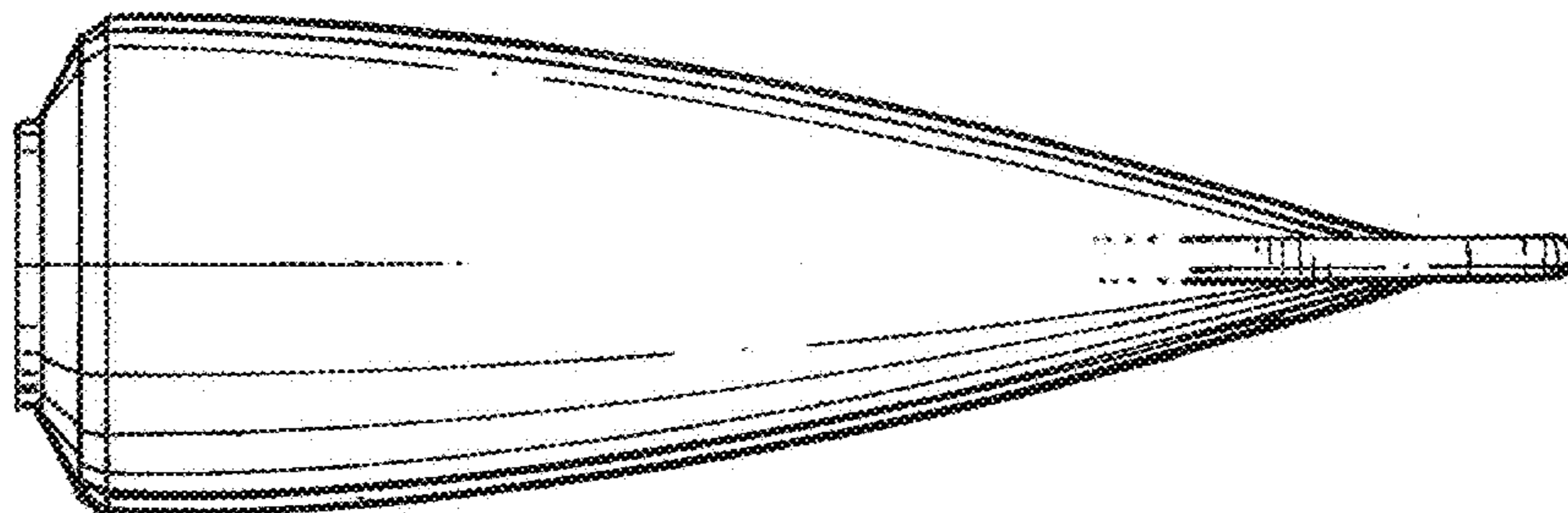


FIG. 3

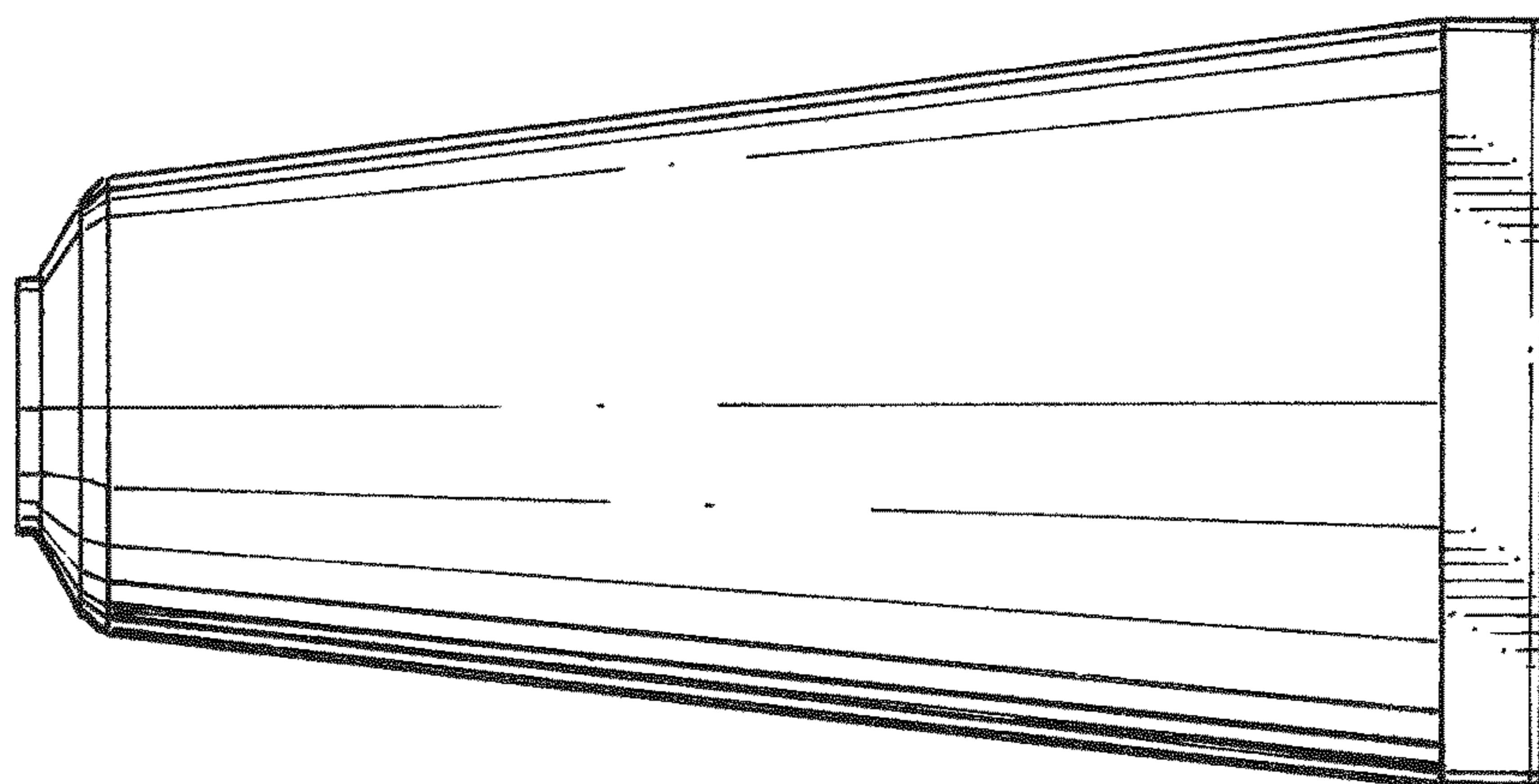


FIG. 4

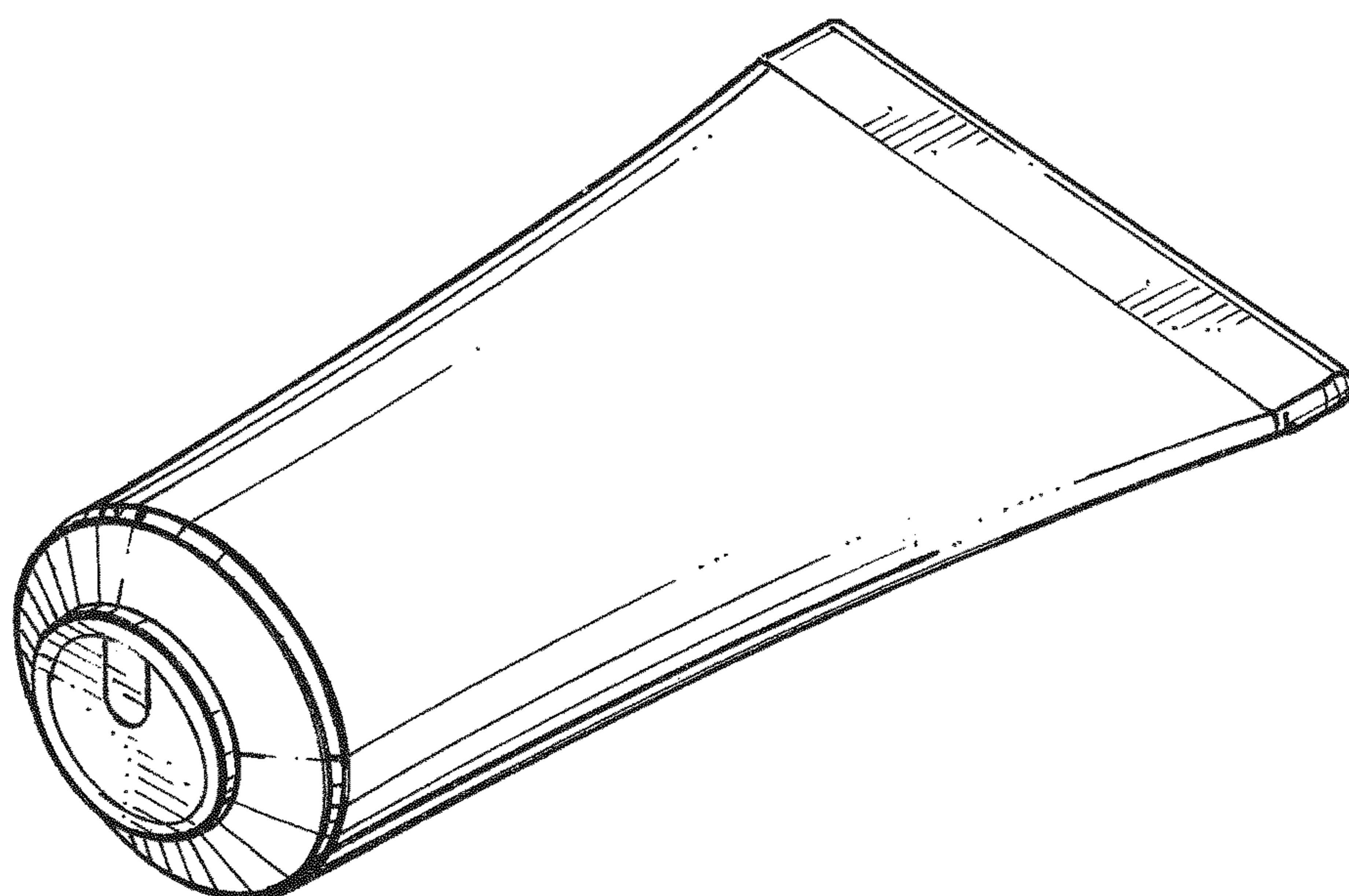


FIG. 5