



US00D702557S

(12) **United States Design Patent**  
**Beardsley et al.**

(10) **Patent No.:** **US D702,557 S**  
(45) **Date of Patent:** **\*\* Apr. 15, 2014**

(54) **CONTAINER FOR LIQUID ADDITIVE FOR A BEVERAGE CAN**

(75) Inventors: **Christopher Eden Marchant**  
**Beardsley, New York, NY (US); Russell**  
**Jon Greenberg, New York, NY (US)**

(73) Assignee: **WIX Industries LLC, New York, NY (US)**

(\*\*) Term: **14 Years**

(21) Appl. No.: **29/405,349**

(22) Filed: **Nov. 1, 2011**

**Related U.S. Application Data**

(63) Continuation of application No. 12/884,002, filed on Sep. 16, 2010, now Pat. No. 8,302,803.

(51) **LOC (10) Cl.** ..... **09-01**

(52) **U.S. Cl.**  
USPC ..... **D9/521; D9/535; D9/565; D9/575;**  
**D9/743; D9/434; D7/317; D7/319**

(58) **Field of Classification Search**  
USPC ..... **D9/434, 436, 516, 521, 524, 535, 547,**  
**D9/552, 565, 575, 738-747; 215/379,**  
**215/381-384; 220/660, 662, 669, 675;**  
**D7/505, 507, 315, 317, 392, 392.1,**  
**D7/397, 401**

See application file for complete search history.

(56) **References Cited**

**U.S. PATENT DOCUMENTS**

D178,271 S \* 7/1956 Bernard ..... D9/746  
3,141,574 A \* 7/1964 Donoghue ..... D9/743 X  
3,347,420 A \* 10/1967 Donoghue ..... D9/547 X  
D260,470 S \* 9/1981 Angelakos ..... D7/507  
D273,764 S \* 5/1984 Steigerwald et al. .... D9/529 X  
D278,514 S \* 4/1985 Moore ..... D9/745  
D327,648 S \* 7/1992 Cane ..... D9/436

5,330,081 A \* 7/1994 Davenport ..... D9/547 X  
D362,801 S \* 10/1995 Milroy ..... D9/745  
D377,757 S \* 2/1997 Bertolini et al. .... D9/746  
D400,434 S \* 11/1998 Amos et al. .... D9/524 X  
D496,222 S \* 9/2004 Kleckauskas et al. .... D7/510 X  
D499,023 S \* 11/2004 Amos et al. .... D9/434  
D514,939 S \* 2/2006 Miozzo et al. .... D9/549 X

(Continued)

*Primary Examiner* — Carol P Rademaker

(74) *Attorney, Agent, or Firm* — Andrew S. Langsam; Pryor Cashman LLP

(57) **CLAIM**

The ornamental design for a container for liquid additive for a beverage can, as shown and described.

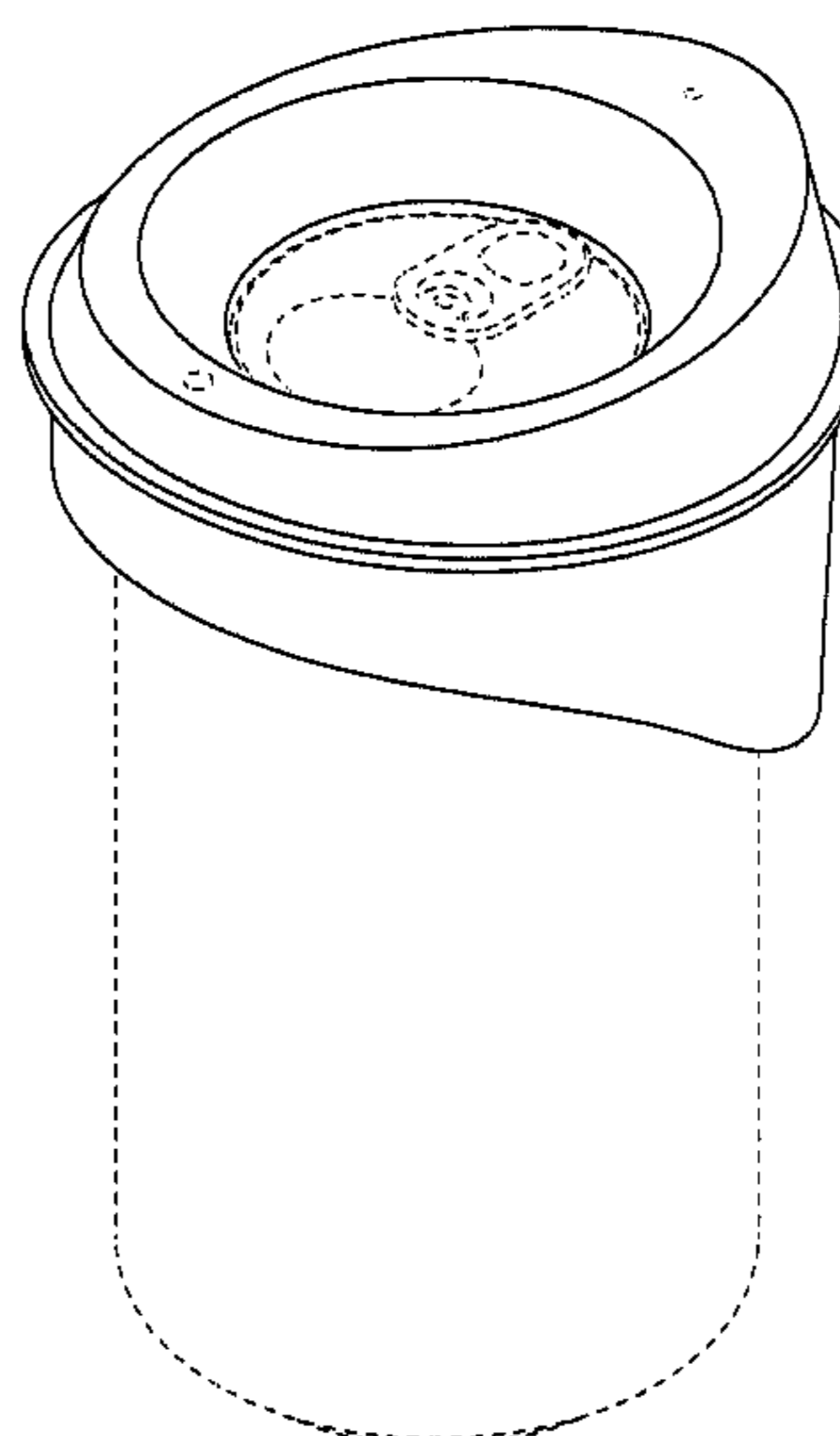
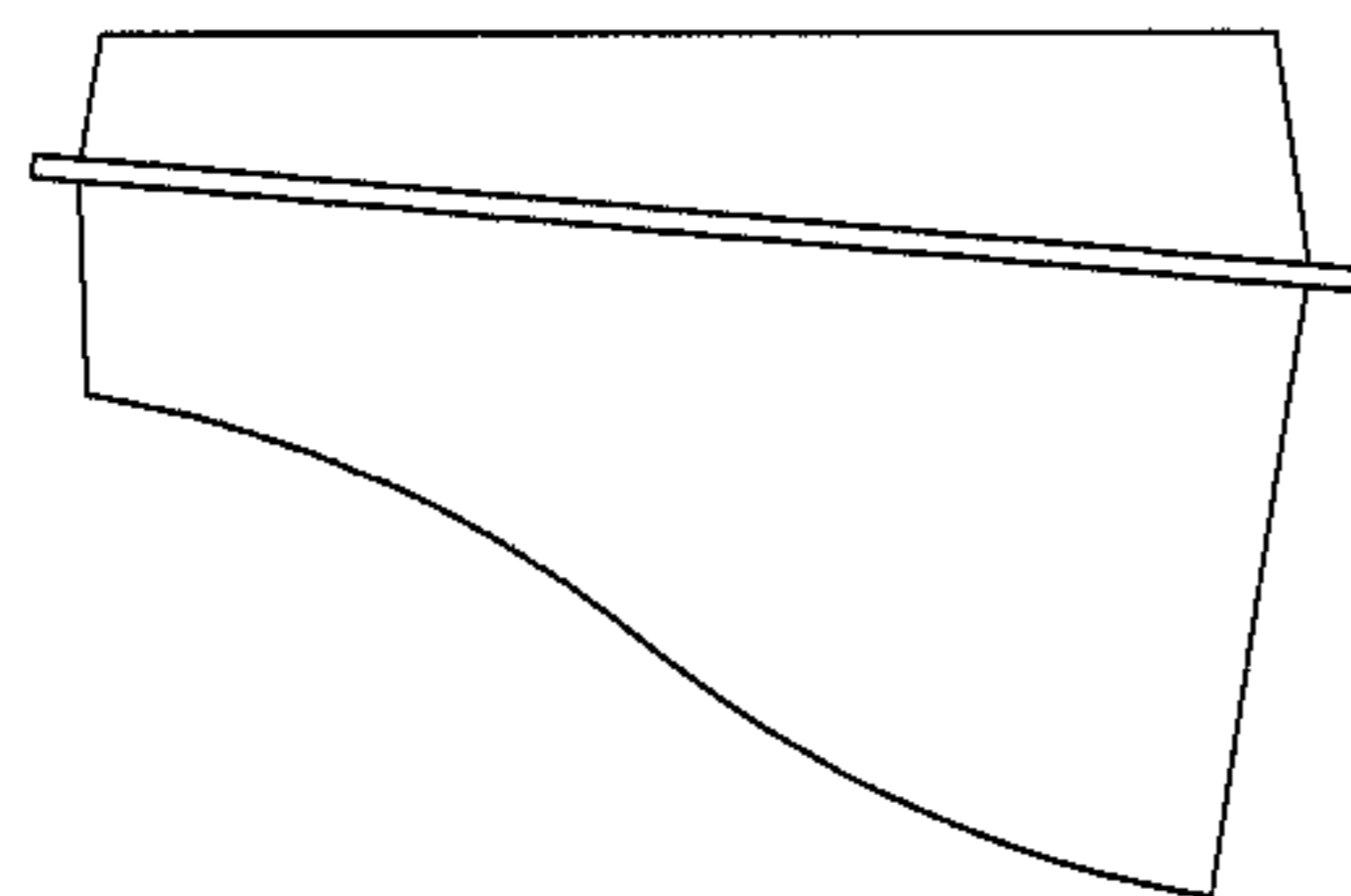
**DESCRIPTION**

FIG. 1 is a top, front, left side view of the container for liquid additive for a beverage can of the present invention; FIG. 2 is a front elevational view thereof; FIG. 3 is a rear elevational view thereof; FIG. 4 is a left side elevation view thereof; FIG. 5 is a right side elevational view thereof; FIG. 6 is a top plan view thereof; and, FIG. 7 is a top, front, left side view of the container for liquid additive for a beverage can of FIG. 1, illustrating how the claimed design would appear in actual use on a beverage can, the beverage can being shown in broken lines as unclaimed environmental structure.

The present invention is a container for a liquid additive to be used with a conventional beverage can. When placed atop a beverage can and the can and container opened, pouring of the liquid contents of the can will cause the liquid additive of the container to pour, too, with the additive becoming entrained into the liquid stream of the can.

The broken lines shown in the drawings are included for the purpose of illustrating environmental structure and form no part of the claimed design.

**1 Claim, 7 Drawing Sheets**



(56)

**References Cited**

U.S. PATENT DOCUMENTS

D551,983 S \* 10/2007 Barbagli ..... D9/535  
D553,009 S \* 10/2007 Barbagli et al. .... D9/743  
D604,638 S \* 11/2009 Kim ..... D9/745  
D606,878 S \* 12/2009 Lindfors ..... D9/535 X  
D607,269 S \* 1/2010 Andersson ..... D7/392.1

D608,147 S \* 1/2010 Sykes ..... D7/507  
D608,590 S \* 1/2010 Geter et al. .... D7/507 X  
D629,243 S \* 12/2010 Meyl et al. .... D7/305  
D640,569 S \* 6/2011 Alongi et al. .... D9/745  
D640,935 S \* 7/2011 Davies et al. .... D9/746  
D647,369 S \* 10/2011 Bryman et al. .... D7/507  
D648,217 S \* 11/2011 Fahey et al. .... D9/745 X

\* cited by examiner

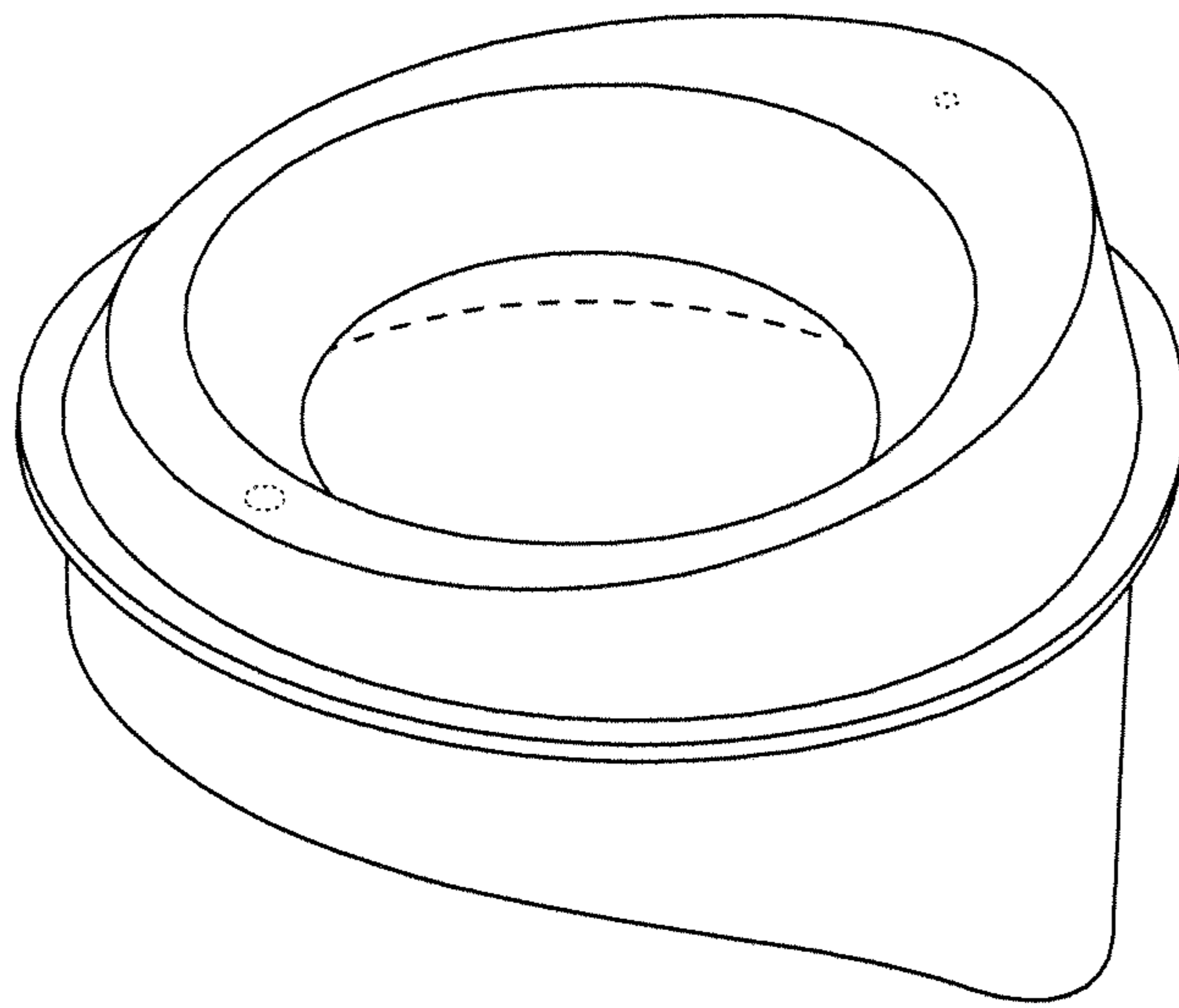


Fig. 1

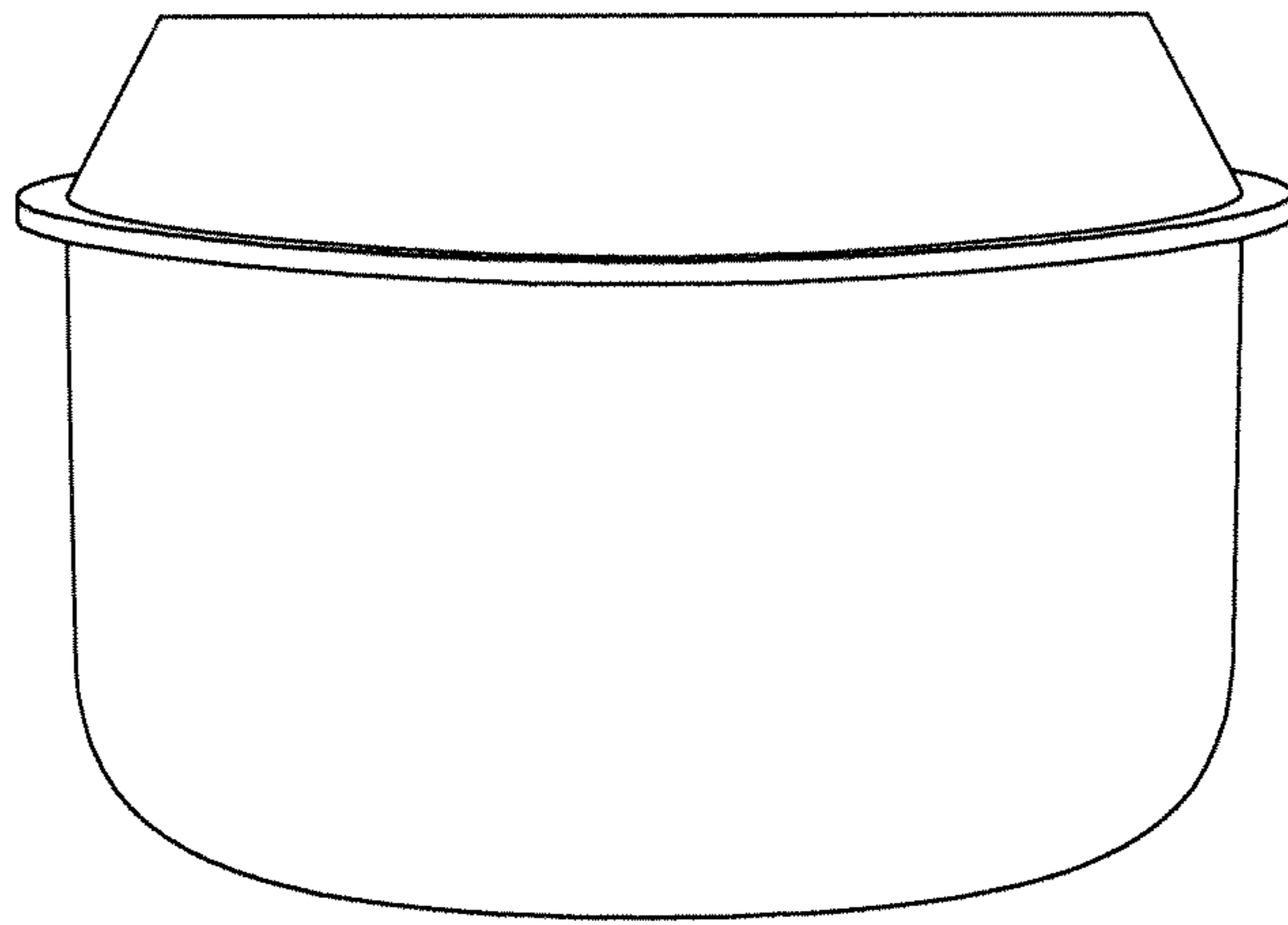


Fig. 2

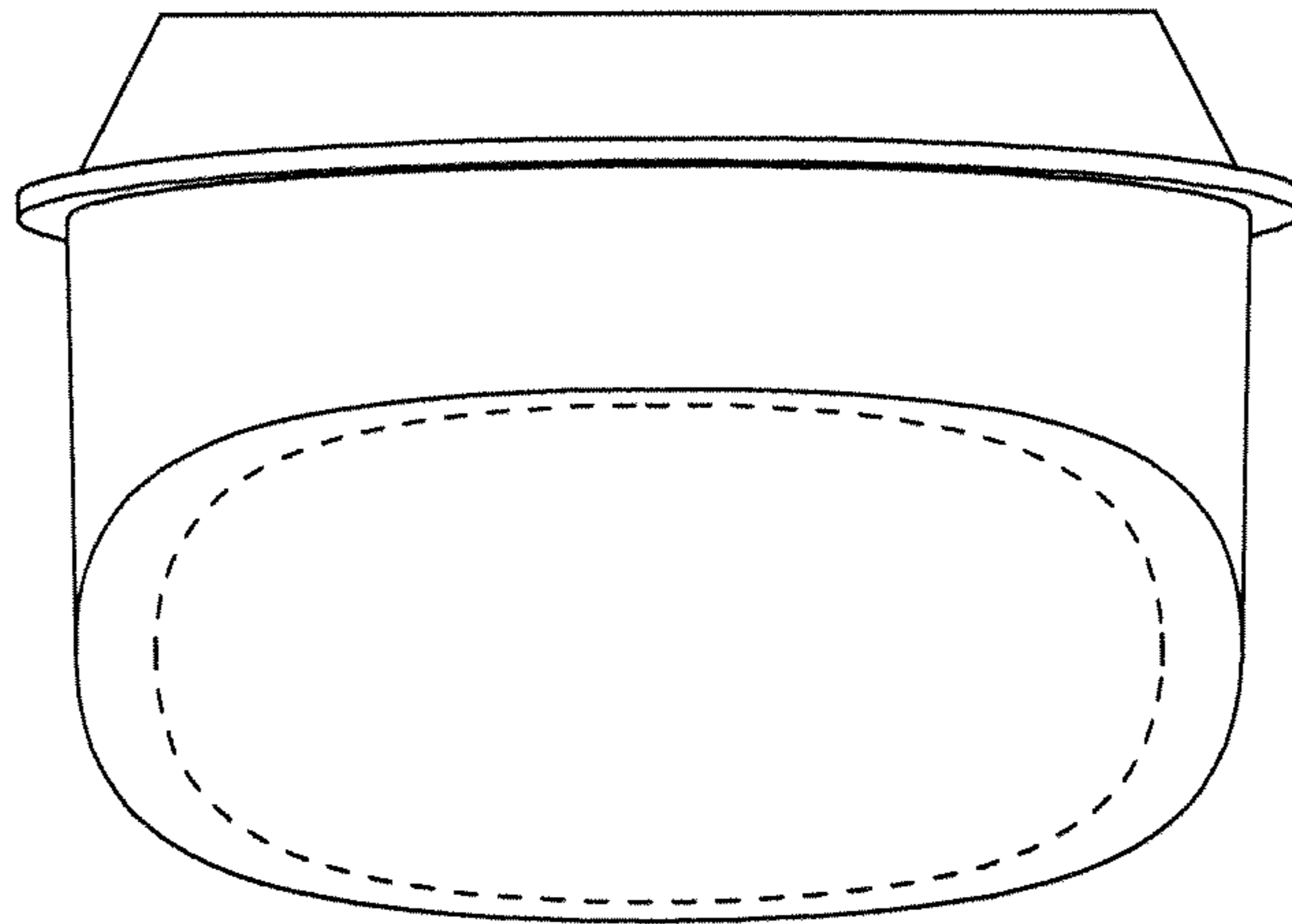


Fig. 3

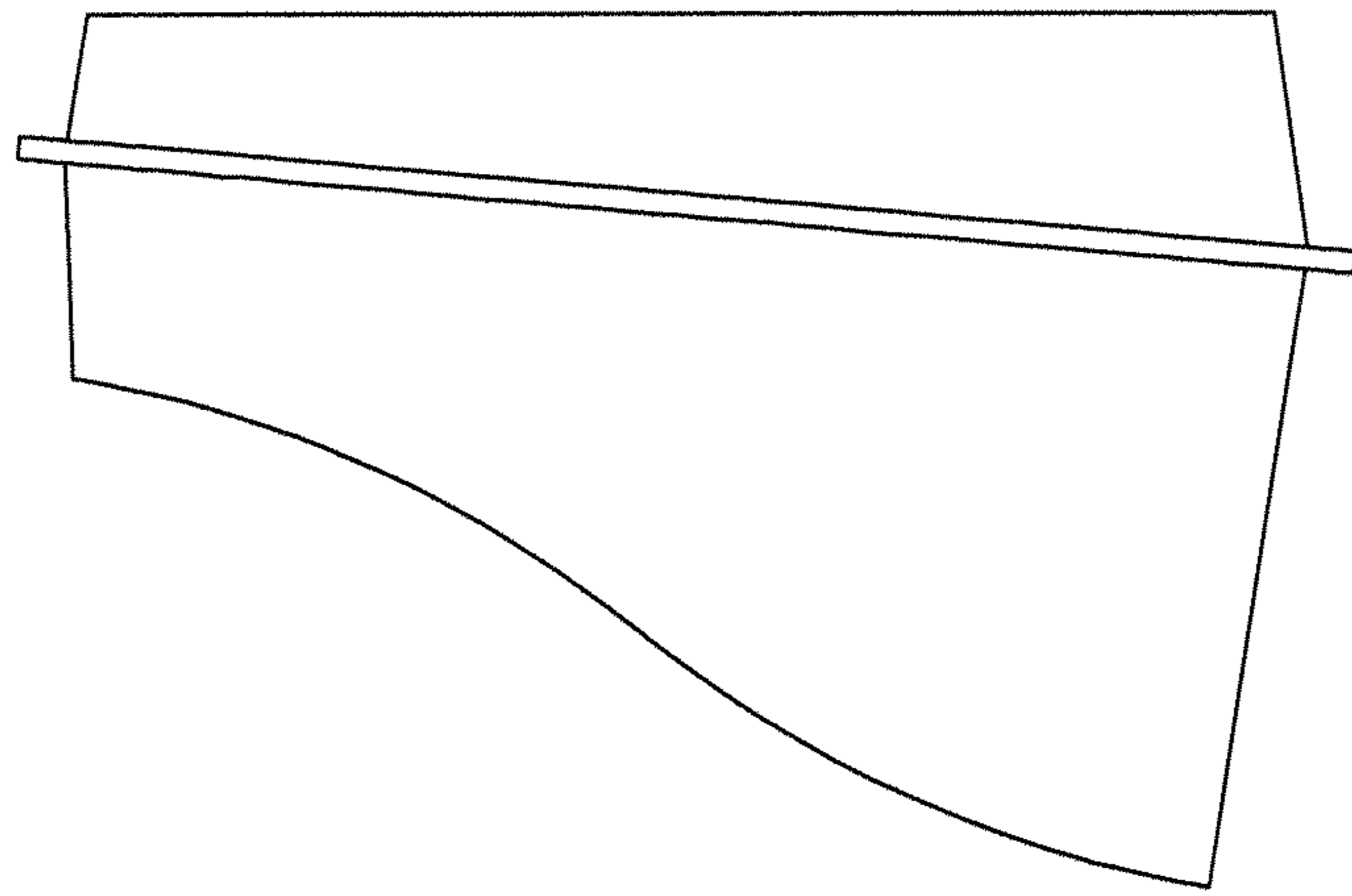


Fig. 4

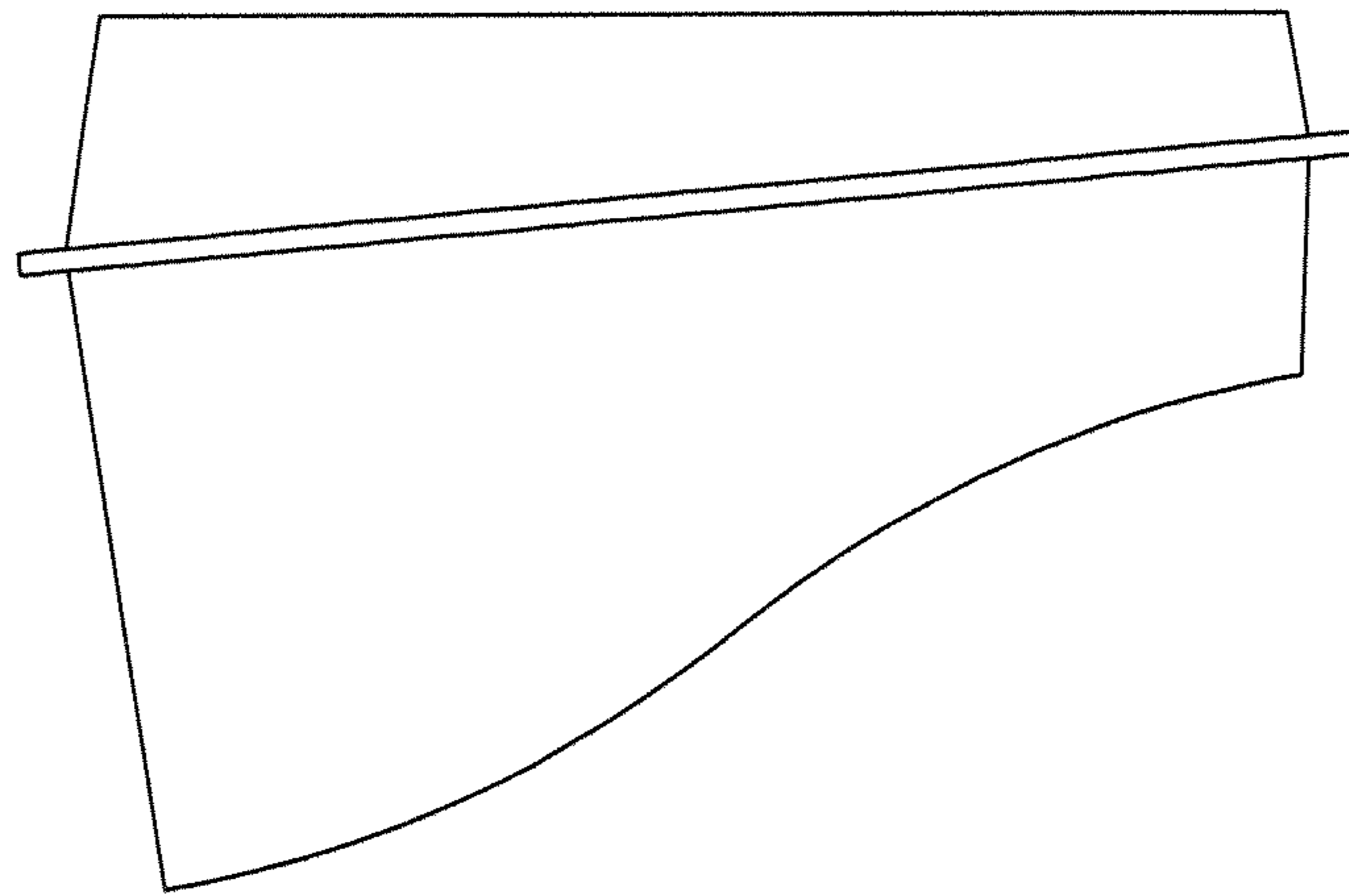


Fig. 5

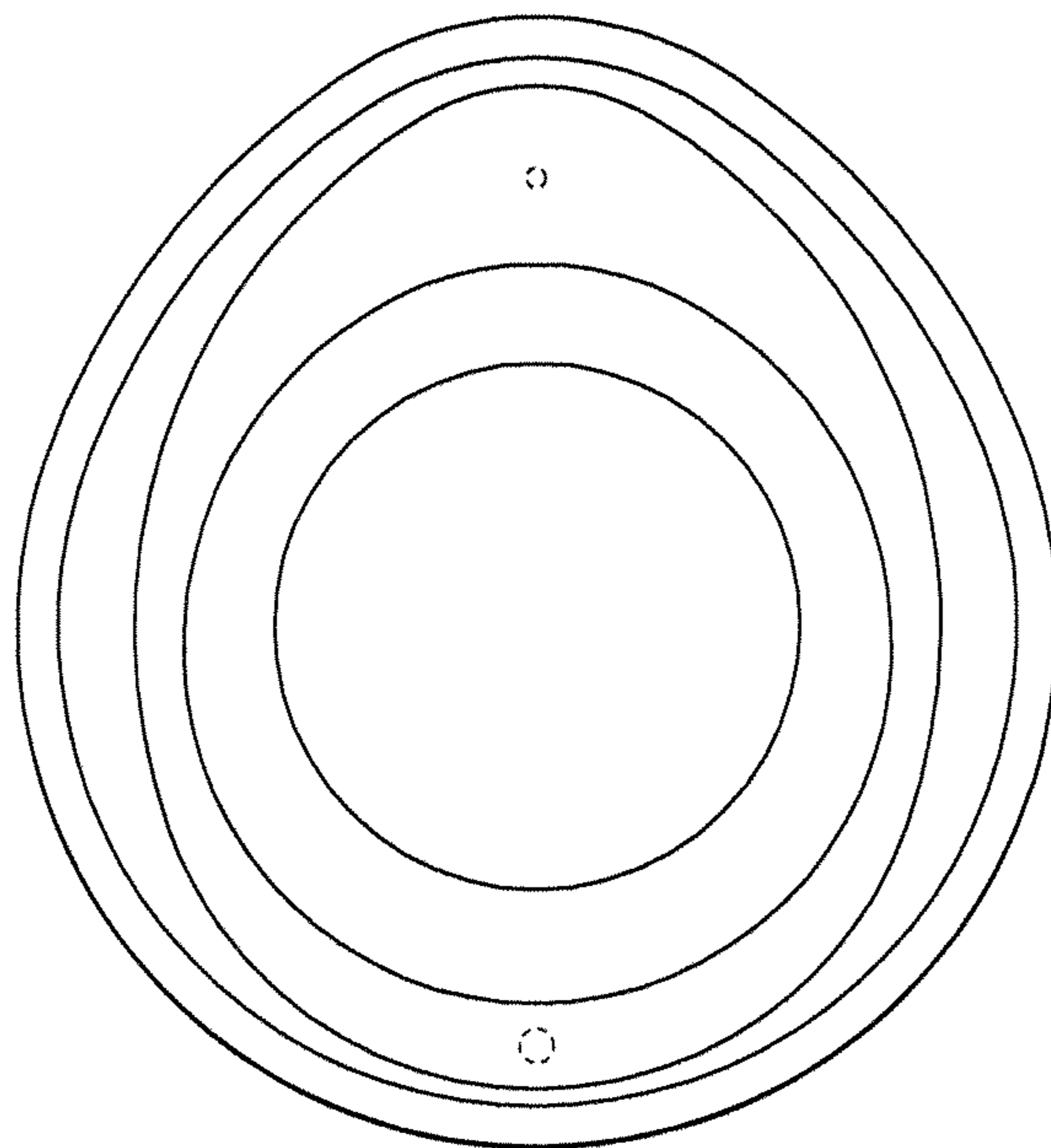


Fig. 6



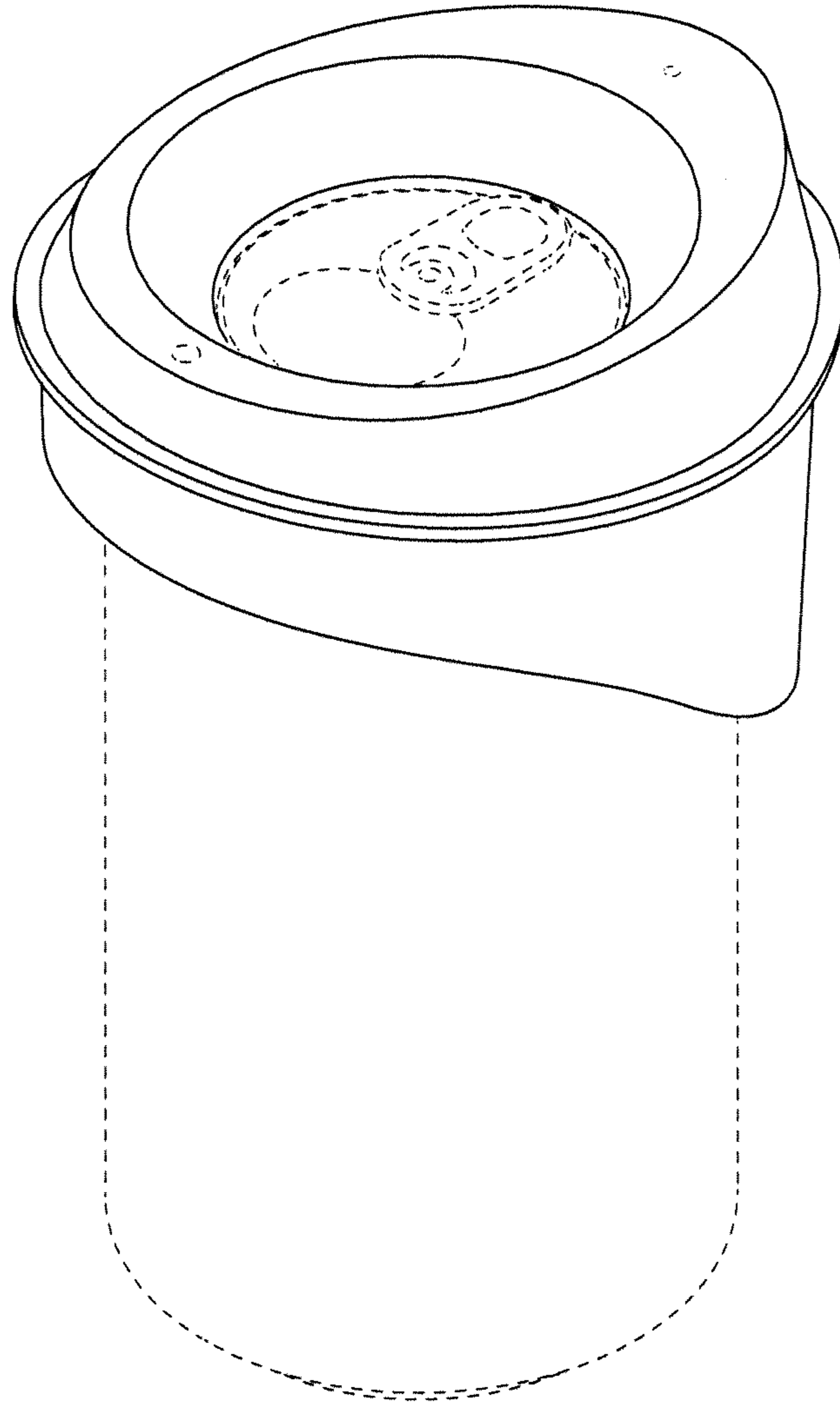


Fig. 7