



US00D702551S

(12) **United States Design Patent**  
**Wisniewski et al.**

(10) **Patent No.:** **US D702,551 S**  
(45) **Date of Patent:** **\*\* Apr. 15, 2014**

(54) **DISPENSING CLOSURE**

(71) Applicant: **AptarGroup, Inc.**, Crystal Lake, IL  
(US)  
(72) Inventors: **John Wisniewski**, Wauwatosa, WI (US);  
**Christopher A. Danks**, Waukesha, WI  
(US)  
(73) Assignee: **AptarGroup, Inc.**, Crystal Lake, IL  
(US)

(\*\*) Term: **14 Years**

(21) Appl. No.: **29/433,230**

(22) Filed: **Sep. 27, 2012**

(51) **LOC (10) Cl.** ..... **09-07**

(52) **U.S. Cl.**  
USPC ..... **D9/449**

(58) **Field of Classification Search**  
CPC ..... A45D 40/22; B65D 2251/105  
USPC ..... D9/434, 435, 439, 440, 443, 446, 447,  
D9/449, 453, 454, 417; D7/396.2, 392.1;  
215/235, 236, 306; 220/254.2-254.5,  
220/259.2, 263, 283, 715, 837; 222/212,  
222/484, 556

See application file for complete search history.

(56) **References Cited**

**U.S. PATENT DOCUMENTS**

D231,968 S \* 7/1974 Juhlin ..... D7/538  
6,631,820 B2 \* 10/2003 Harrold et al. .... 215/237  
D536,974 S \* 2/2007 Smith et al. .... D9/449  
D536,975 S \* 2/2007 Smith et al. .... D9/449  
D538,652 S \* 3/2007 De Groot et al. .... D9/449  
D541,154 S \* 4/2007 Moribata et al. .... D9/449  
D545,210 S \* 6/2007 Armstrong et al. .... D9/563  
D545,211 S \* 6/2007 Armstrong et al. .... D9/563  
D547,652 S \* 7/2007 Kerman et al. .... D9/438

7,510,095 B2 \* 3/2009 Comeau et al. .... 215/321  
7,568,597 B2 \* 8/2009 Brogly et al. .... 222/491  
D602,781 S \* 10/2009 Balkum ..... D9/524  
D631,347 S \* 1/2011 Rudolph et al. .... D9/446  
D638,705 S \* 5/2011 Schawo ..... D9/443  
D649,055 S \* 11/2011 Fracasso ..... D9/503  
D661,583 S \* 6/2012 Santarelli et al. .... D9/449  
D661,984 S \* 6/2012 Jackel ..... D9/449  
D672,650 S \* 12/2012 Wisniewski et al. .... D9/449  
8,474,646 B2 \* 7/2013 Danks et al. .... 220/361  
D694,587 S \* 12/2013 Slocumb et al. .... D7/590  
D695,613 S \* 12/2013 De Araujo et al. .... D9/449  
2006/0138162 A1 \* 6/2006 Anderson et al. .... 221/288  
2006/0191933 A1 \* 8/2006 Hicks et al. .... 220/254.3  
2009/0101646 A1 \* 4/2009 Paul et al. .... 220/254.4  
2012/0199610 A1 \* 8/2012 Cain ..... 222/212

\* cited by examiner

*Primary Examiner* — Robert M Spear

(74) *Attorney, Agent, or Firm* — Wood, Phillips, Katz, Clark  
& Mortimer

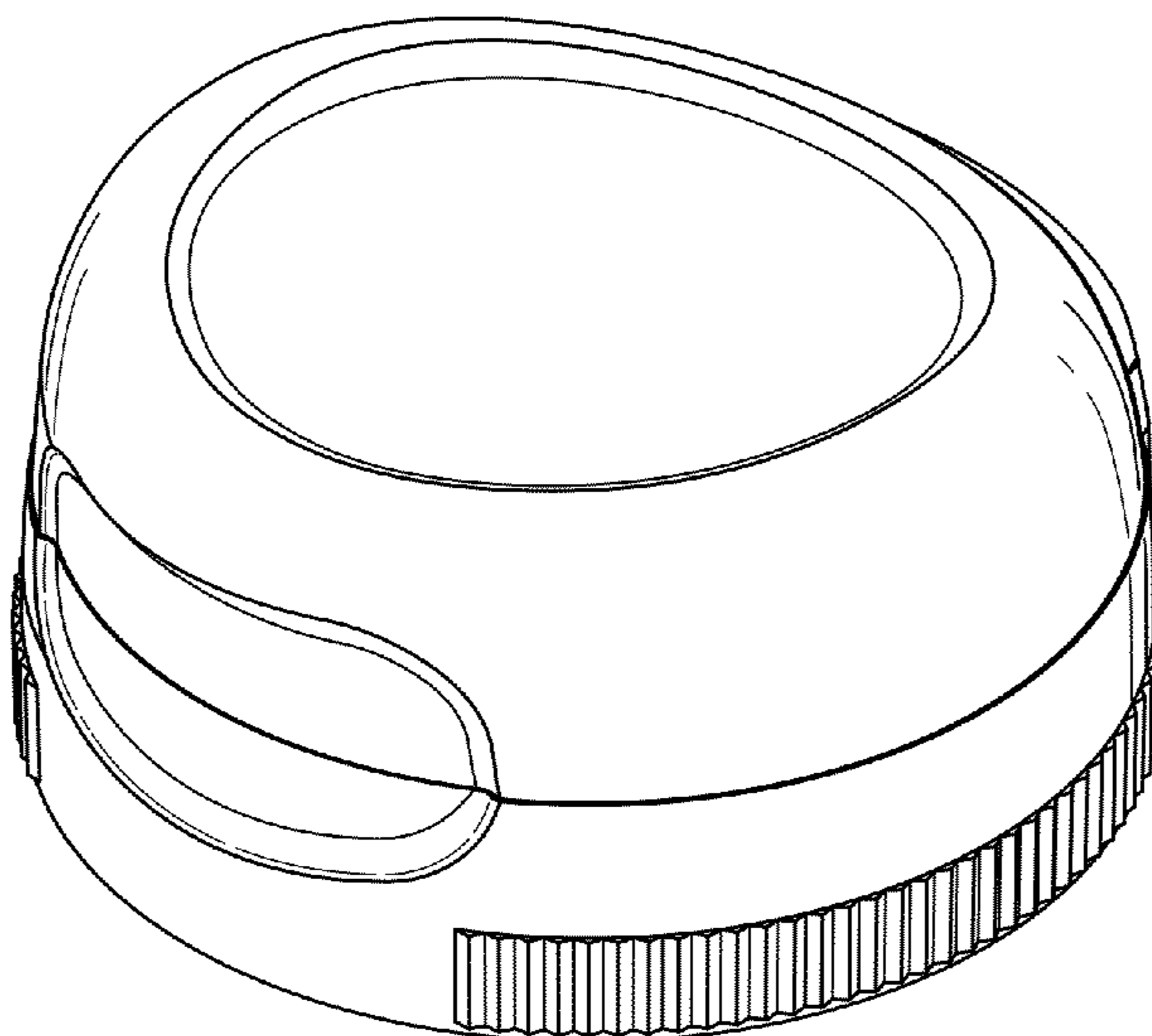
(57) **CLAIM**

The ornamental design for a dispensing closure, as shown and described.

**DESCRIPTION**

FIG. 1 is an isometric view, taken from the front and right side, of a dispensing closure, showing our new design;  
FIG. 2 is an isometric view taken from the front and left side thereof;  
FIG. 3 is an isometric view taken from the rear and left side thereof;  
FIG. 4 is a left side isometric view thereof;  
FIG. 5 is a top plan view thereof;  
FIG. 6 is a front elevational view thereof;  
FIG. 7 is a right side elevational view thereof, the left side elevational view thereof being a mirror image; and,  
FIG. 8 is a rear elevational view thereof.  
The undisclosed bottom view is unornamented.

**1 Claim, 4 Drawing Sheets**



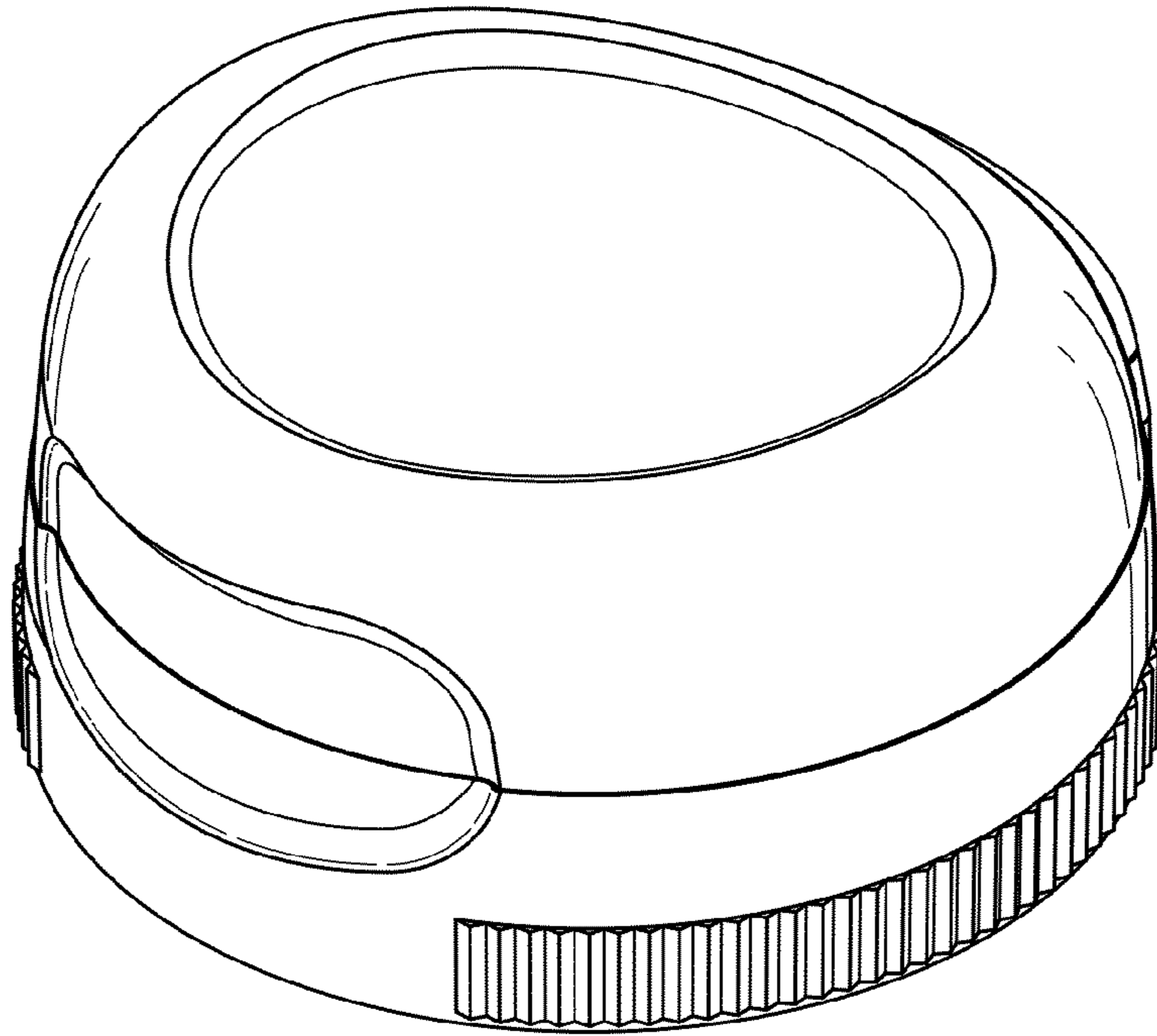


FIG. 1

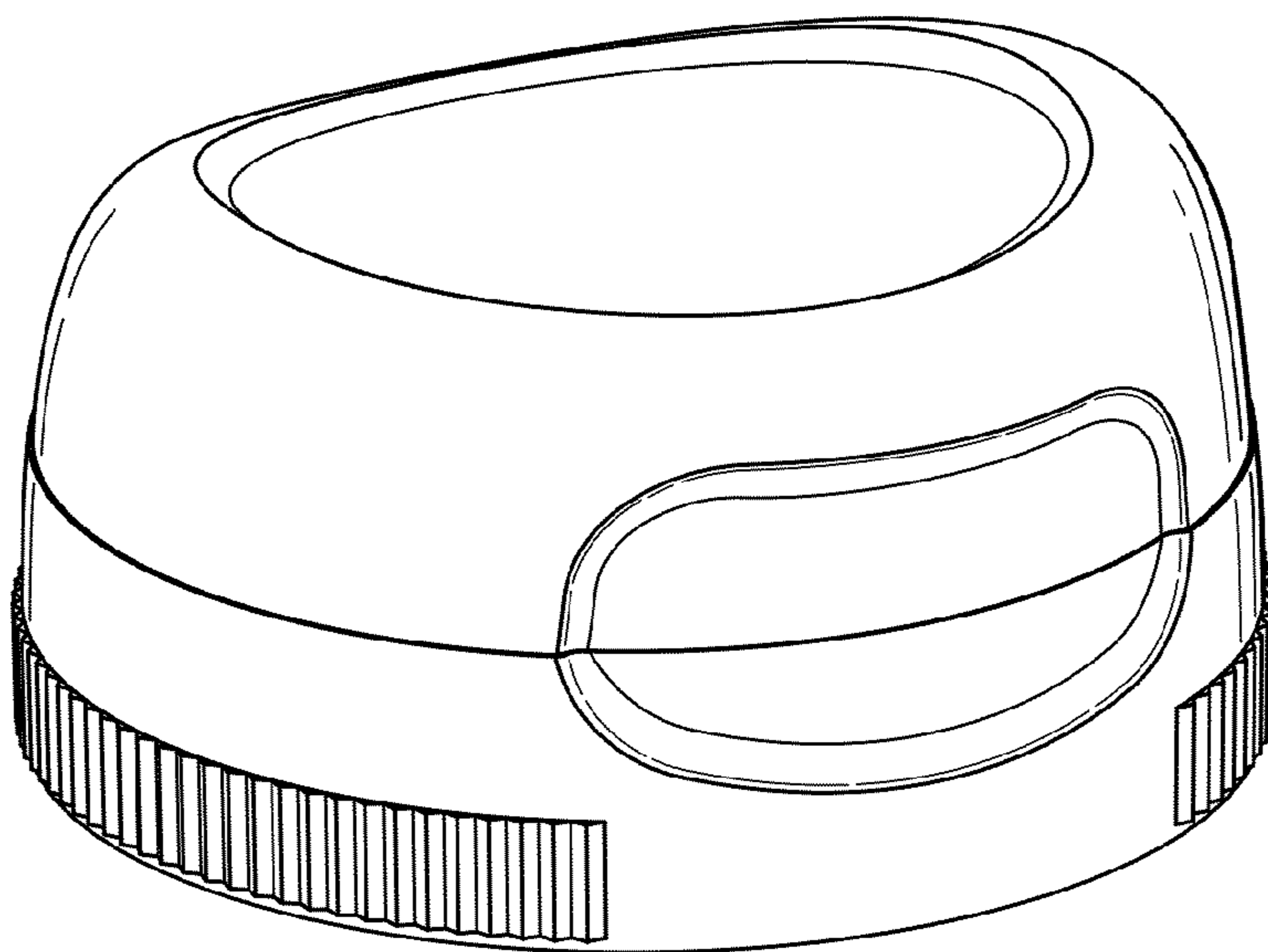


FIG. 2

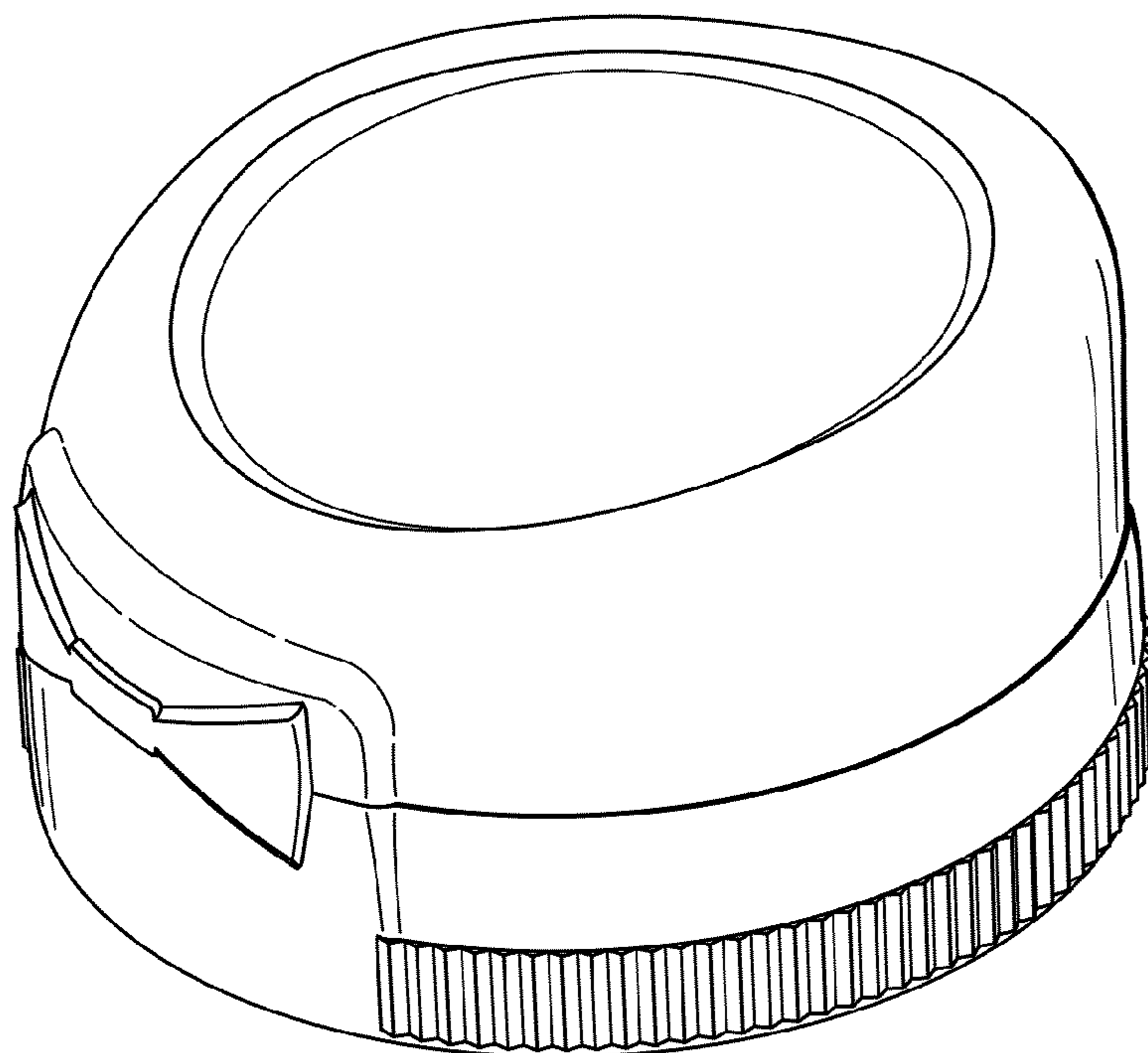


FIG. 3

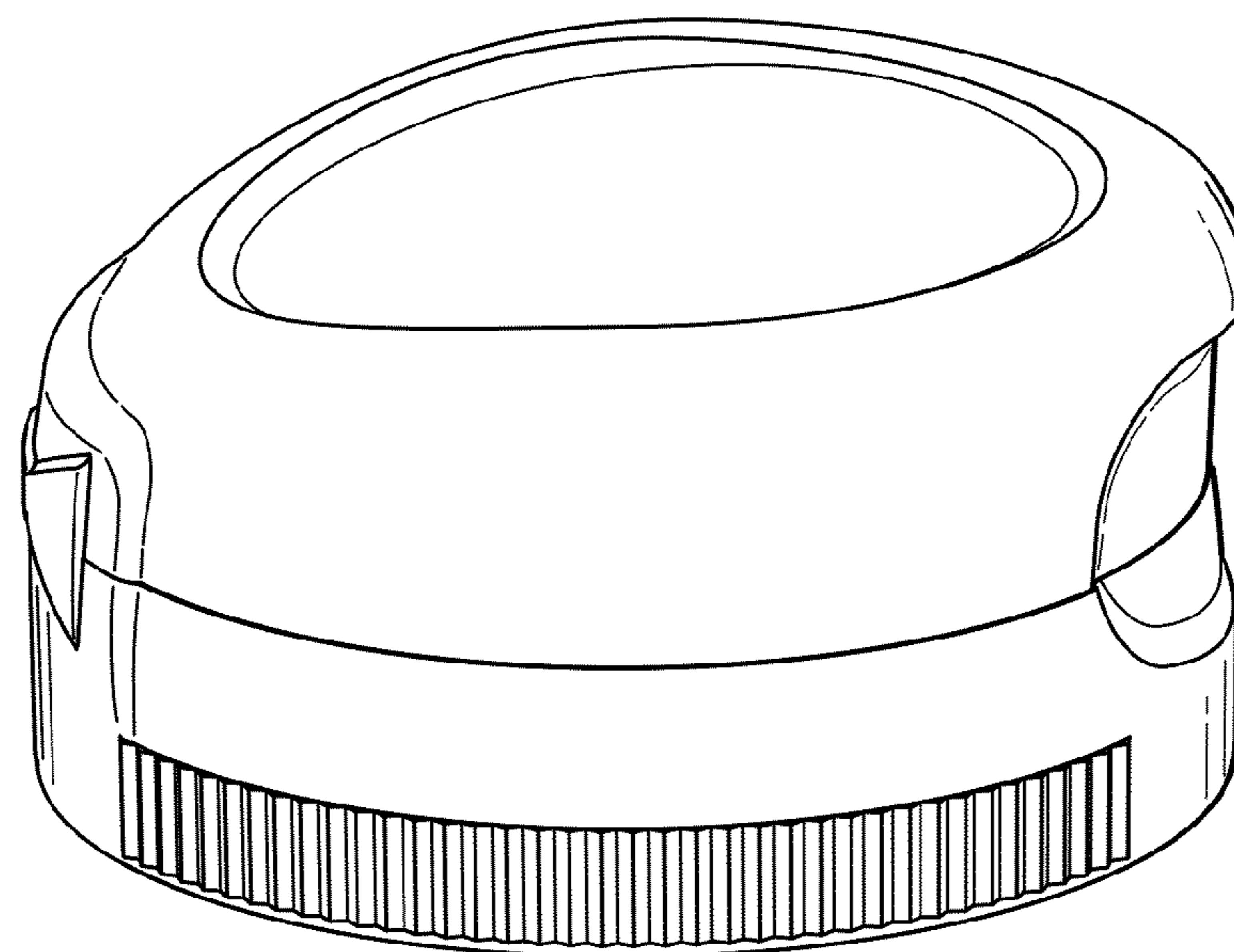


FIG. 4

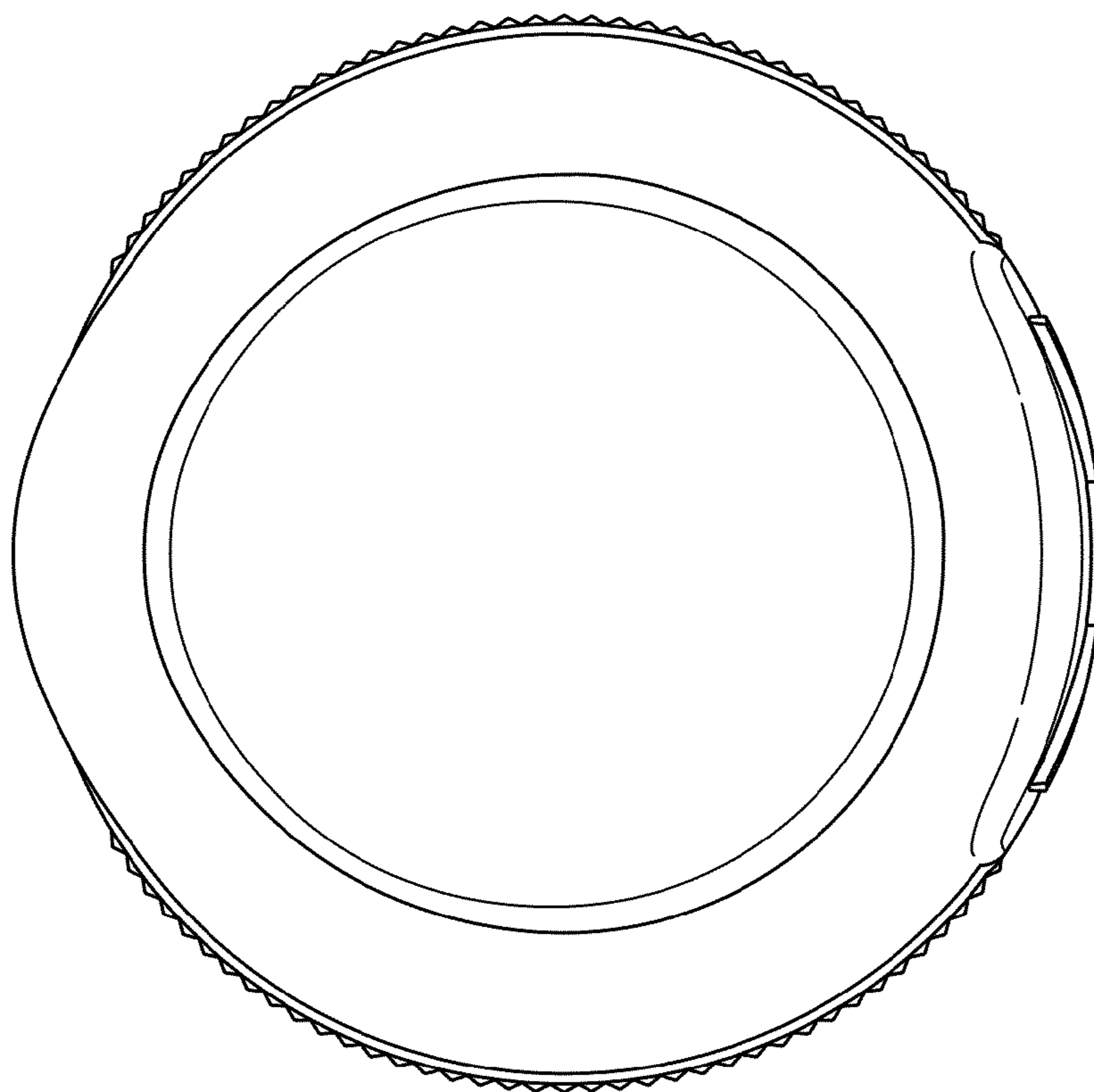


FIG. 5

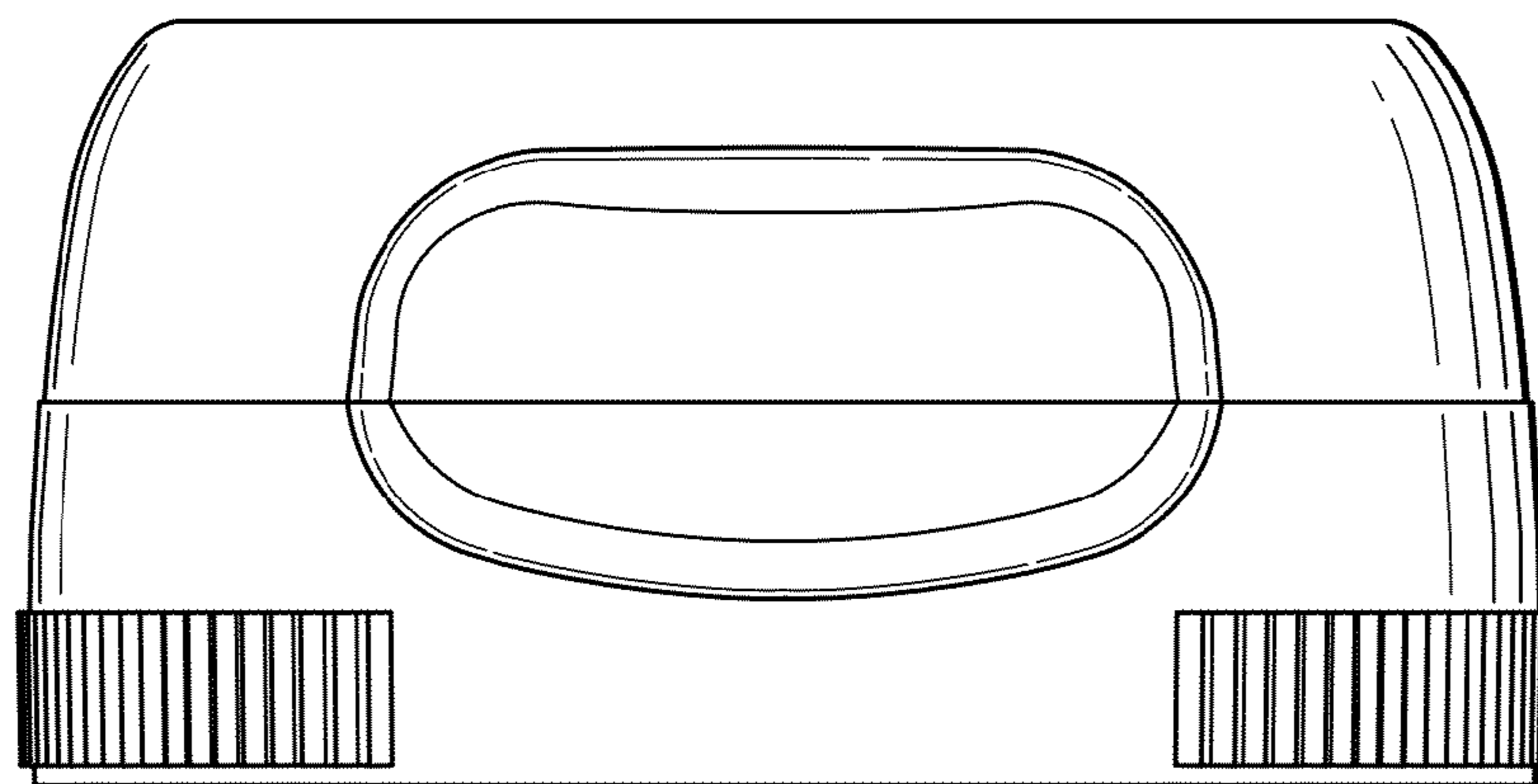


FIG. 6

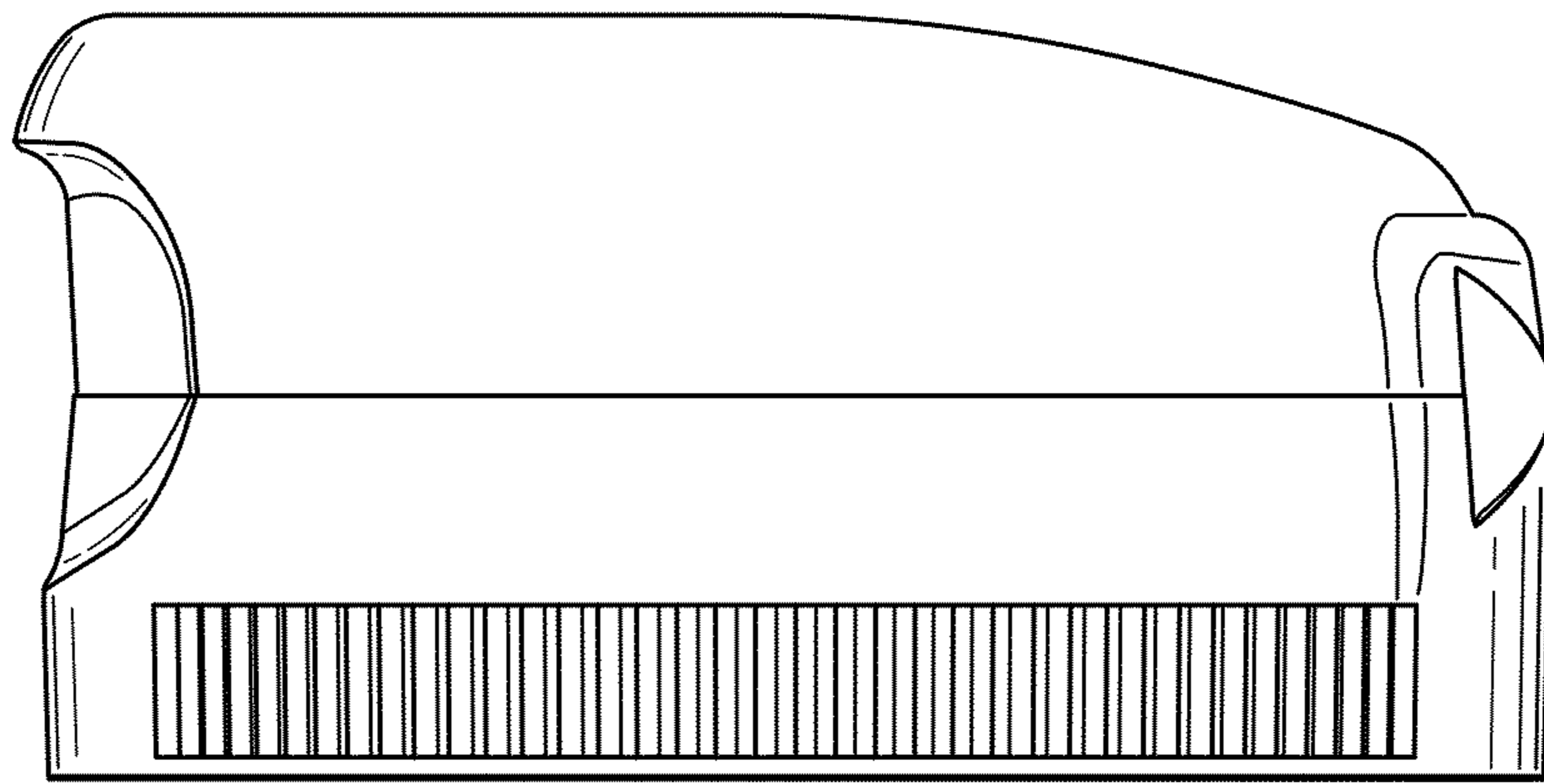


FIG. 7

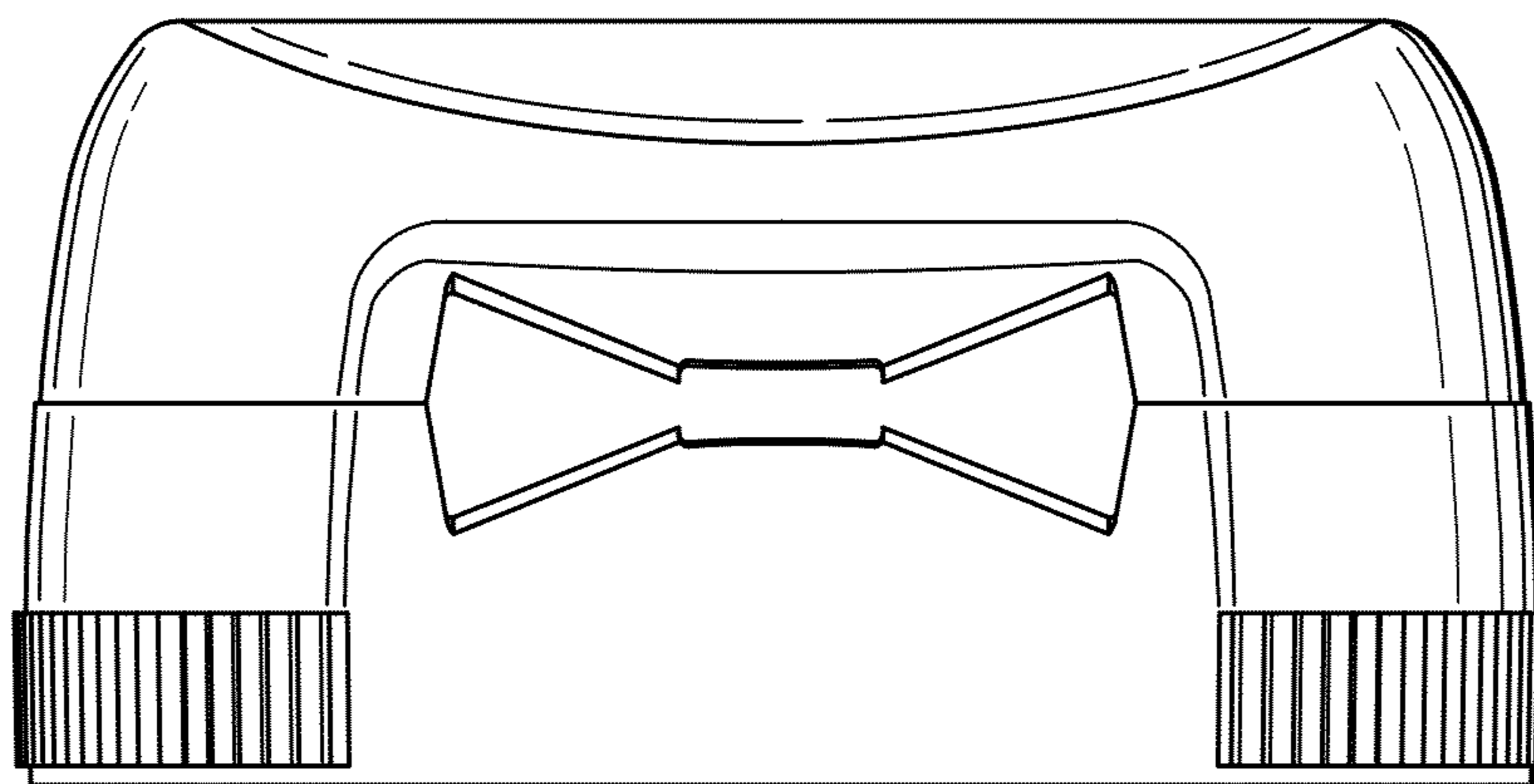


FIG. 8