



US00D702548S

(12) **United States Design Patent**  
**Flury**

(10) **Patent No.:** **US D702,548 S**  
(45) **Date of Patent:** **\*\* Apr. 15, 2014**

(54) **PACKAGING FOR A DENTAL COMPONENT**

(71) Applicant: **Straumann Holding AG**, Basel (CH)

(72) Inventor: **Peter Flury**, Basel (CH)

(73) Assignee: **Straumann Holding AG**, Basel (CH)

(\*\*) Term: **14 Years**

(21) Appl. No.: **29/446,181**

(22) Filed: **Feb. 21, 2013**

(30) **Foreign Application Priority Data**

Oct. 30, 2012 (WO) ..... 700140801

(51) **LOC (10) Cl.** ..... **09-03**

(52) **U.S. Cl.**  
USPC ..... **D9/425**

(58) **Field of Classification Search**  
USPC ..... D9/414, 418, 424, 425, 428, 429;  
D7/513, 523; 220/575; 206/553, 557,  
206/541, 775, 776

See application file for complete search history.

(56) **References Cited**

**U.S. PATENT DOCUMENTS**

1,476,910	A *	12/1923	Naugle	249/122
4,410,085	A *	10/1983	Beneziat et al.	206/217
5,720,391	A *	2/1998	Dohm et al.	206/438
D463,277	S *	9/2002	Yang	D9/428
6,550,630	B1 *	4/2003	Krupa	220/575
D537,735	S *	3/2007	Fountoulakis	D9/756
D539,091	S *	3/2007	Mansfield	D7/513
D552,421	S *	10/2007	Wolf	D7/523
D556,511	S *	12/2007	Mansfield	D7/523
D596,461	S *	7/2009	Mansfield et al.	D7/513

D598,224	S *	8/2009	Zanini	D6/510
7,721,890	B2 *	5/2010	Neidhardt	206/438
2010/0147719	A1 *	6/2010	Li	206/438

**OTHER PUBLICATIONS**

Straumann—User Manual for Sterile Closure Screw package, 2012.  
Straumann—User Manual entitled Sterile Closure Screw, Step by Step, 2012.  
3D drawing of Straumann Sterile Closure Screw Packaging, 2012.

\* cited by examiner

*Primary Examiner* — Thomas Johannes

(74) *Attorney, Agent, or Firm* — Novak Druce Connolly Bove + Quigg <sup>LLP</sup>

(57) **CLAIM**

The ornamental design for a packaging for a dental component, as shown and described.

**DESCRIPTION**

FIG. 1 is a perspective view of a closed packaging for a dental component including a housing according to our new design, and a top lid shown in broken lines; the top lid is shown for illustrative purposes only and forms no part of the claimed design;

FIG. 2 is a top plan view thereof;

FIG. 3 is a bottom plan view thereof;

FIG. 4 is a front elevational view thereof;

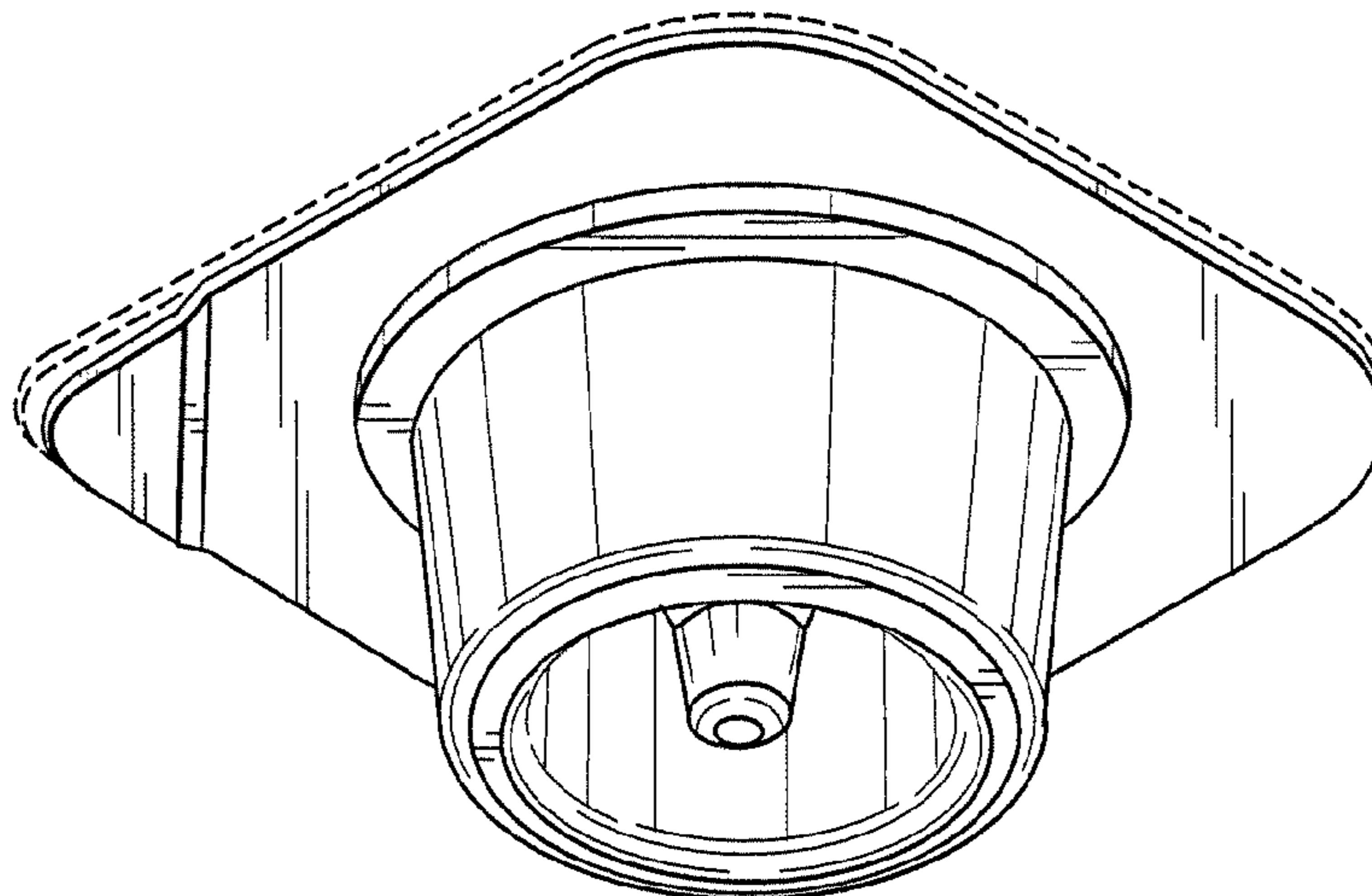
FIG. 5 is a rear elevational view thereof;

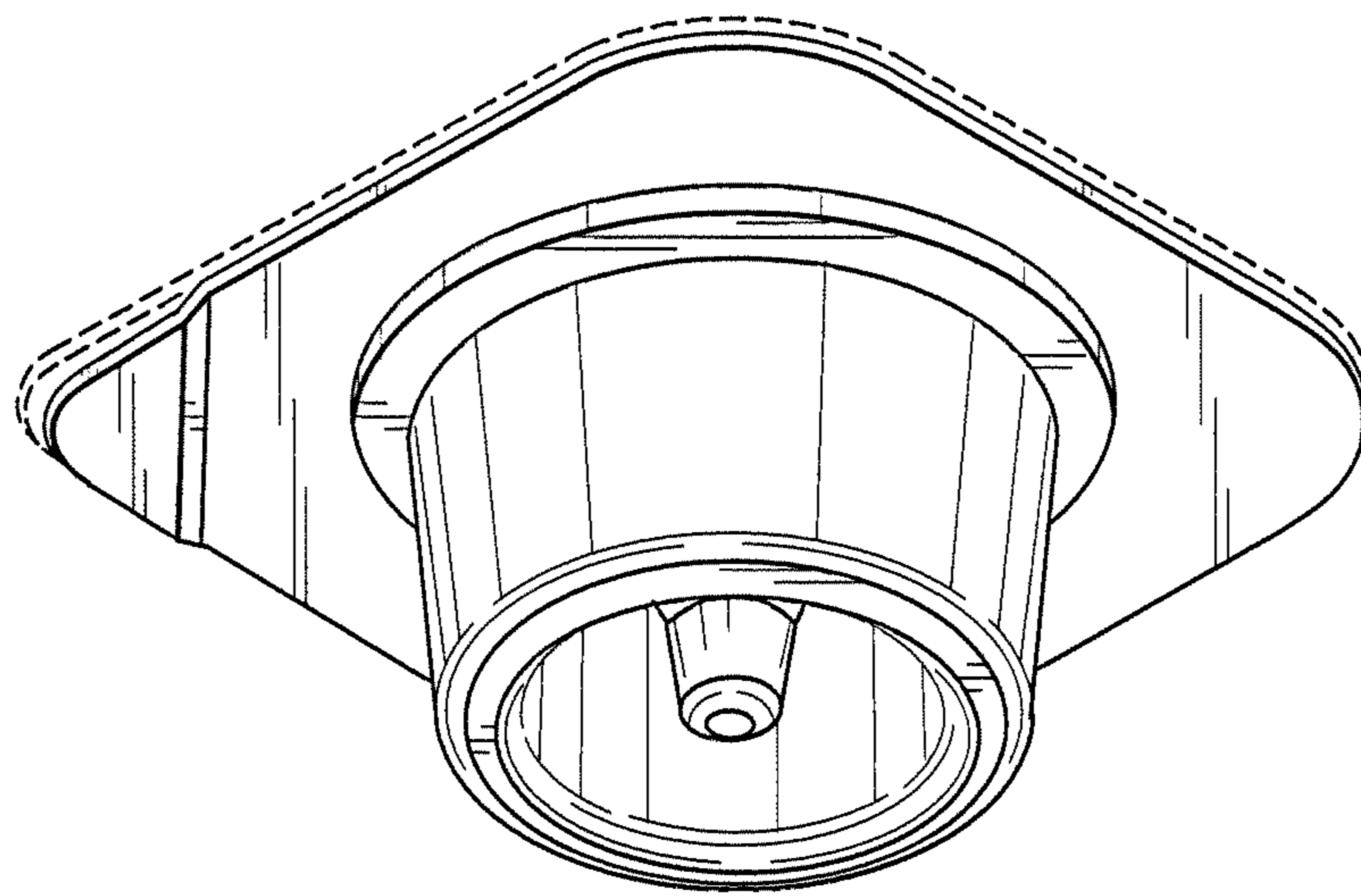
FIG. 6 is a left elevational view thereof; and,

FIG. 7 is a right elevational view thereof.

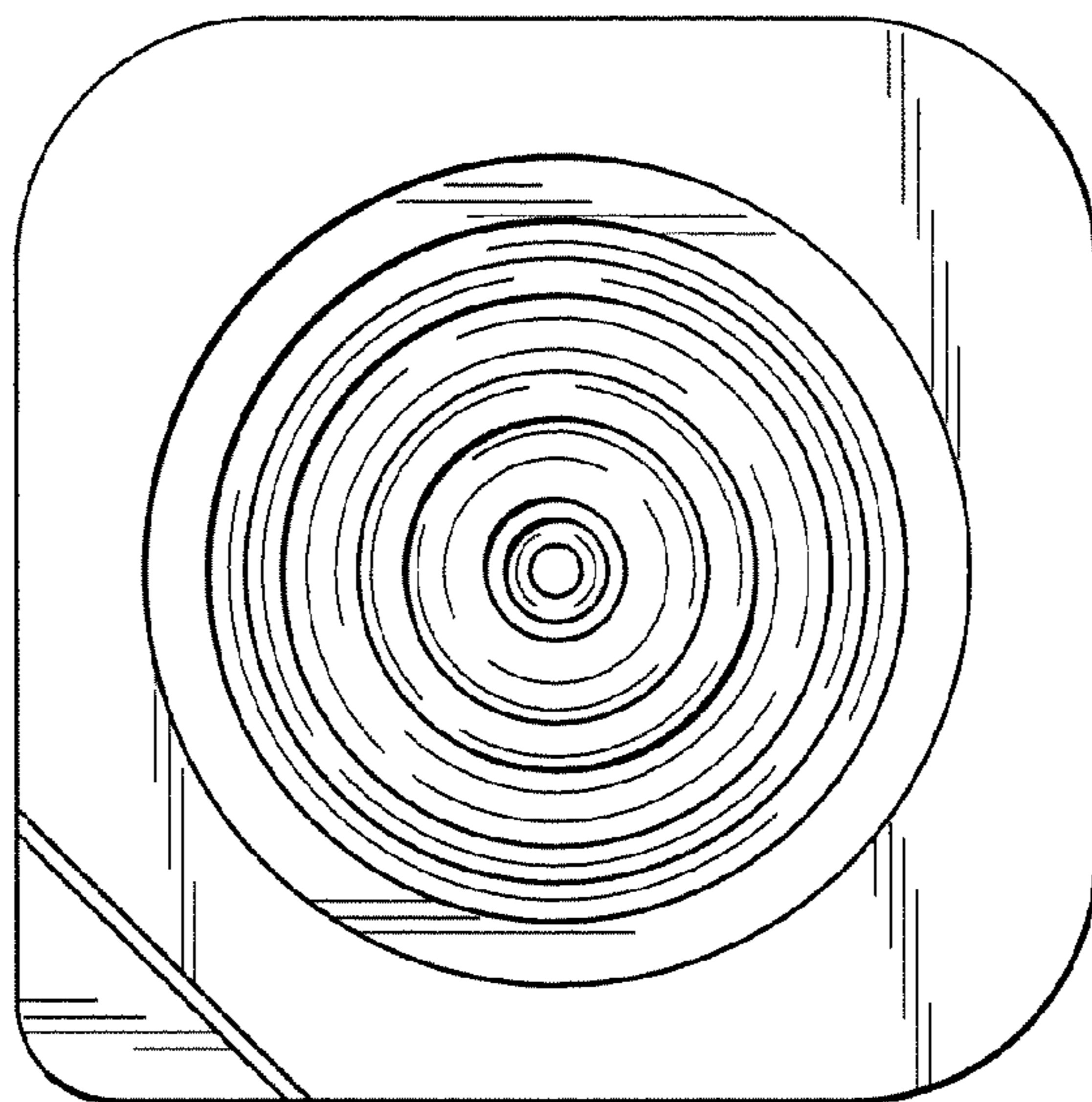
The broken line portion of the figure drawings is included to show unclaimed subject matter only and forms no part of the claimed design.

**1 Claim, 3 Drawing Sheets**

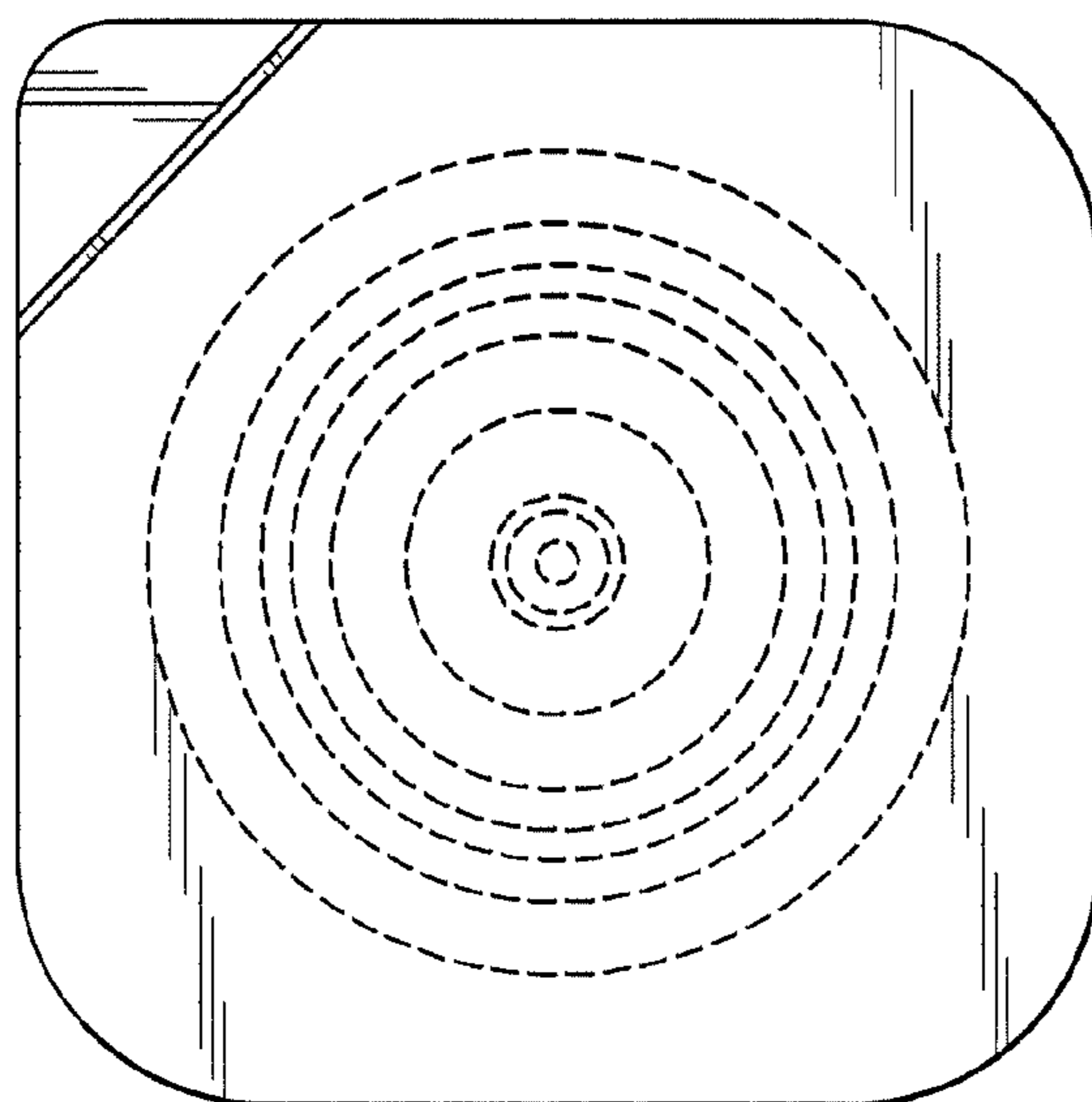




**FIG. 1**



**FIG. 2**



**FIG. 3**

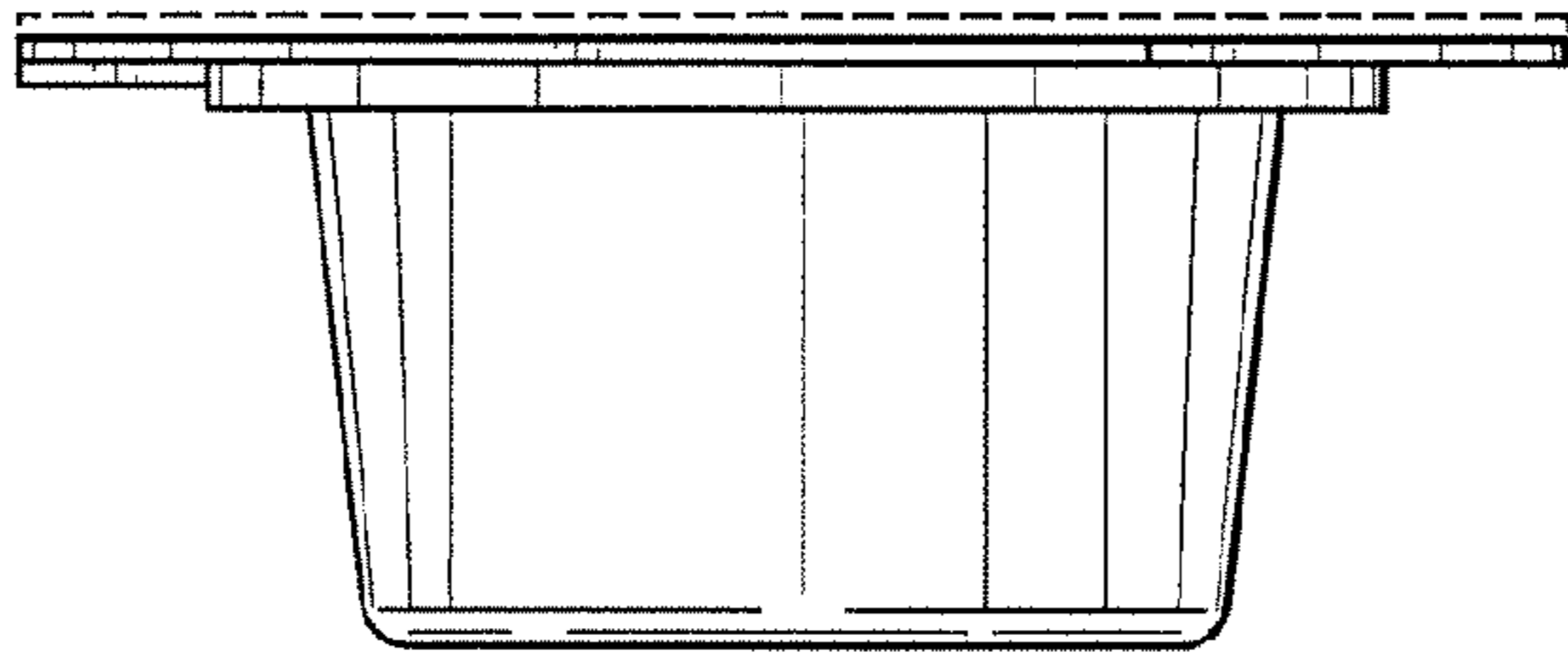


FIG. 6

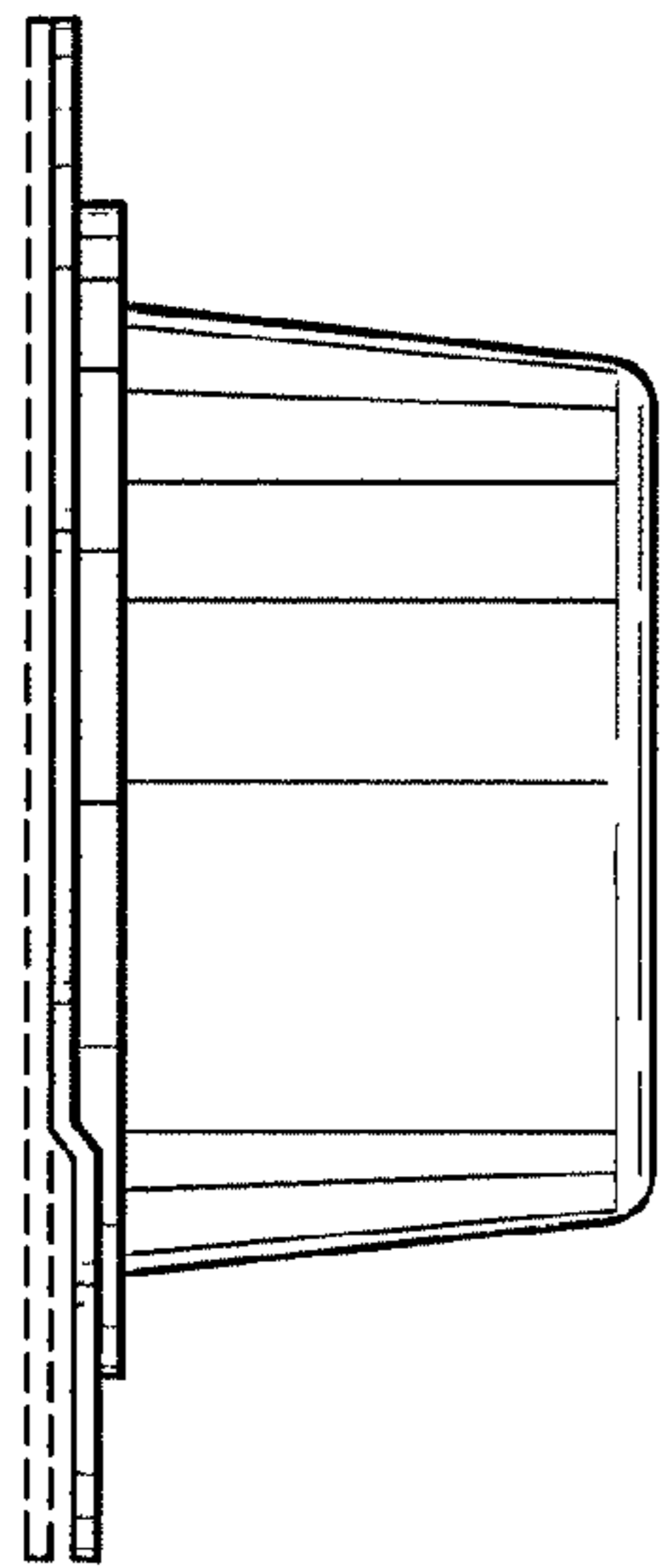


FIG. 5

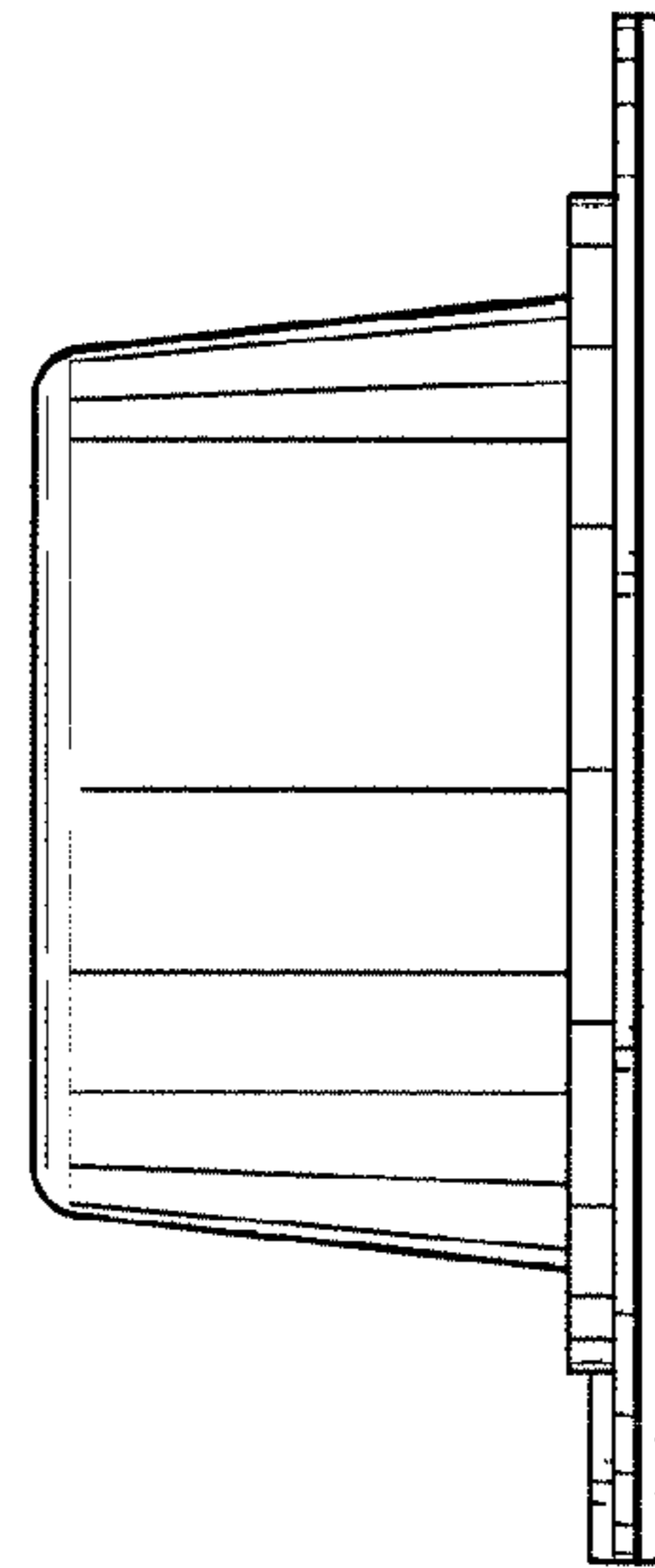


FIG. 7

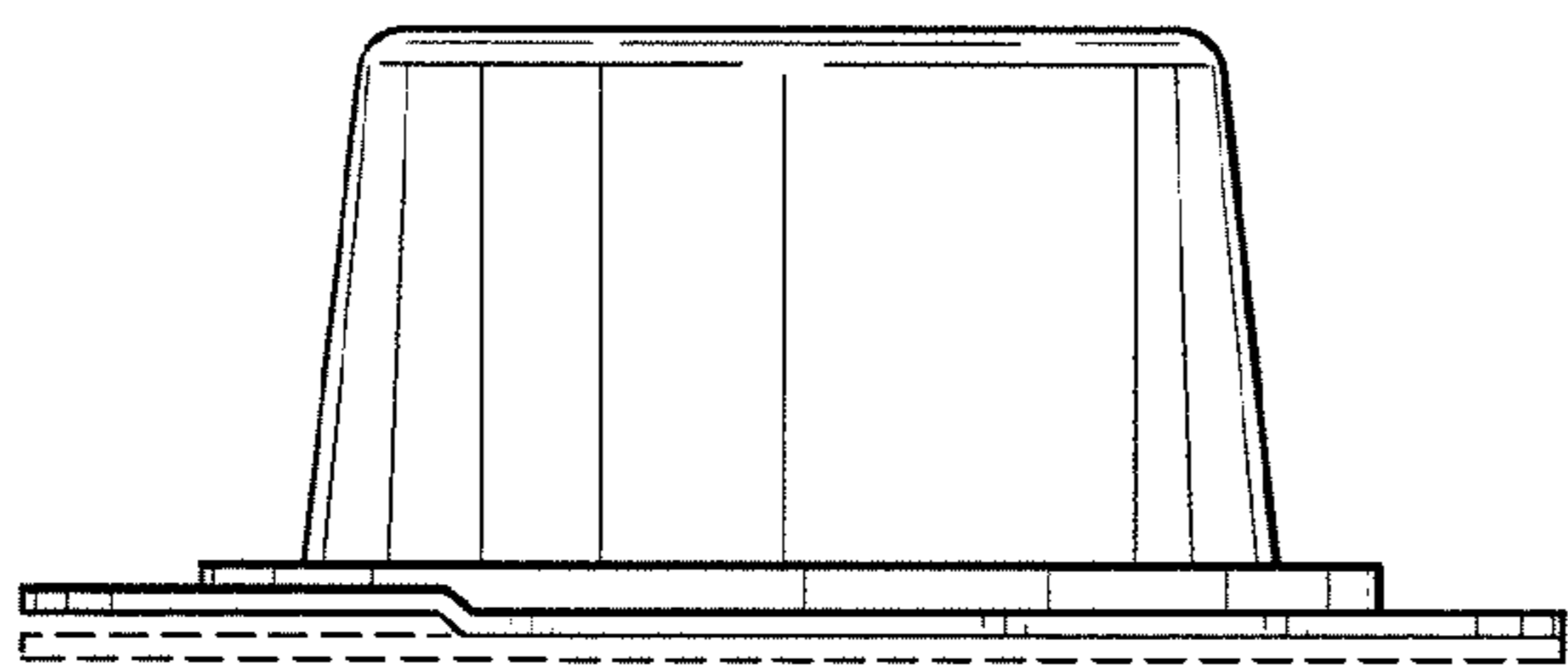


FIG. 4