



US00D702547S

(12) **United States Design Patent**
Akana et al.

(10) **Patent No.:** **US D702,547 S**
(45) **Date of Patent:** **** Apr. 15, 2014**

(54) **PACKAGING**

(75) Inventors: **Jody Akana**, San Francisco, CA (US);
Bartley K. Andre, Menlo Park, CA (US);
Jeremy Bataillou, San Francisco, CA (US);
Daniel J. Coster, San Francisco, CA (US);
Daniele De Iuliis, San Francisco, CA (US);
M. Evans Hankey, San Francisco, CA (US);
Richard P. Howarth, San Francisco, CA (US);
Jonathan P. Ive, San Francisco, CA (US);
Duncan Robert Kerr, San Francisco, CA (US);
Shin Nishibori, Kailua, HI (US);
Matthew Dean Rohrbach, San Francisco, CA (US);
Peter Russell-Clarke, San Francisco, CA (US);
Christopher J. Stringer, Woodside, CA (US);
Eugene Antony Whang, San Francisco, CA (US);
Rico Zorkendorfer, San Francisco, CA (US)

(73) Assignee: **Apple Inc.**, Cupertino, CA (US)

(**) Term: **14 Years**

(21) Appl. No.: **29/430,551**

(22) Filed: **Aug. 27, 2012**

Related U.S. Application Data

(63) Continuation of application No. 29/418,215, filed on Apr. 13, 2012, now Pat. No. Des. 668,143, which is a continuation of application No. 29/369,022, filed on Sep. 1, 2010, now Pat. No. Des. 658,492.

(51) **LOC (10) Cl.** **09-03**

(52) **U.S. Cl.**
USPC **D9/424**; D14/496; D9/721

(58) **Field of Classification Search**
USPC D9/424, 414, 418-423, 425, 428-432, D9/435, 436, 455, 499; D3/202, 273, 328; D7/538, 601, 602, 604, 610, 612, 629; 206/486, 488, 490, 503, 504, 557, 562, 206/565, 521.1, 775, 776, 815, 822; 220/258.2, 258.3, 676, 781, 786, 789, 220/790, 793; 229/406, 407, 906, 915, 925; D28/76, 81, 83; D14/496, 507, 511

See application file for complete search history.

(56) **References Cited**

U.S. PATENT DOCUMENTS

D159,157 S 6/1950 Koester
3,904,074 A * 9/1975 Hoffman et al. 220/258.3

(Continued)

FOREIGN PATENT DOCUMENTS

JP 61040925 3/1986
KR 300253042 2/2000
KR 300267299 12/2000

Primary Examiner — Derrick Holland

(74) *Attorney, Agent, or Firm* — Sterne, Kessler, Goldstein & Fox P.L.L.C.

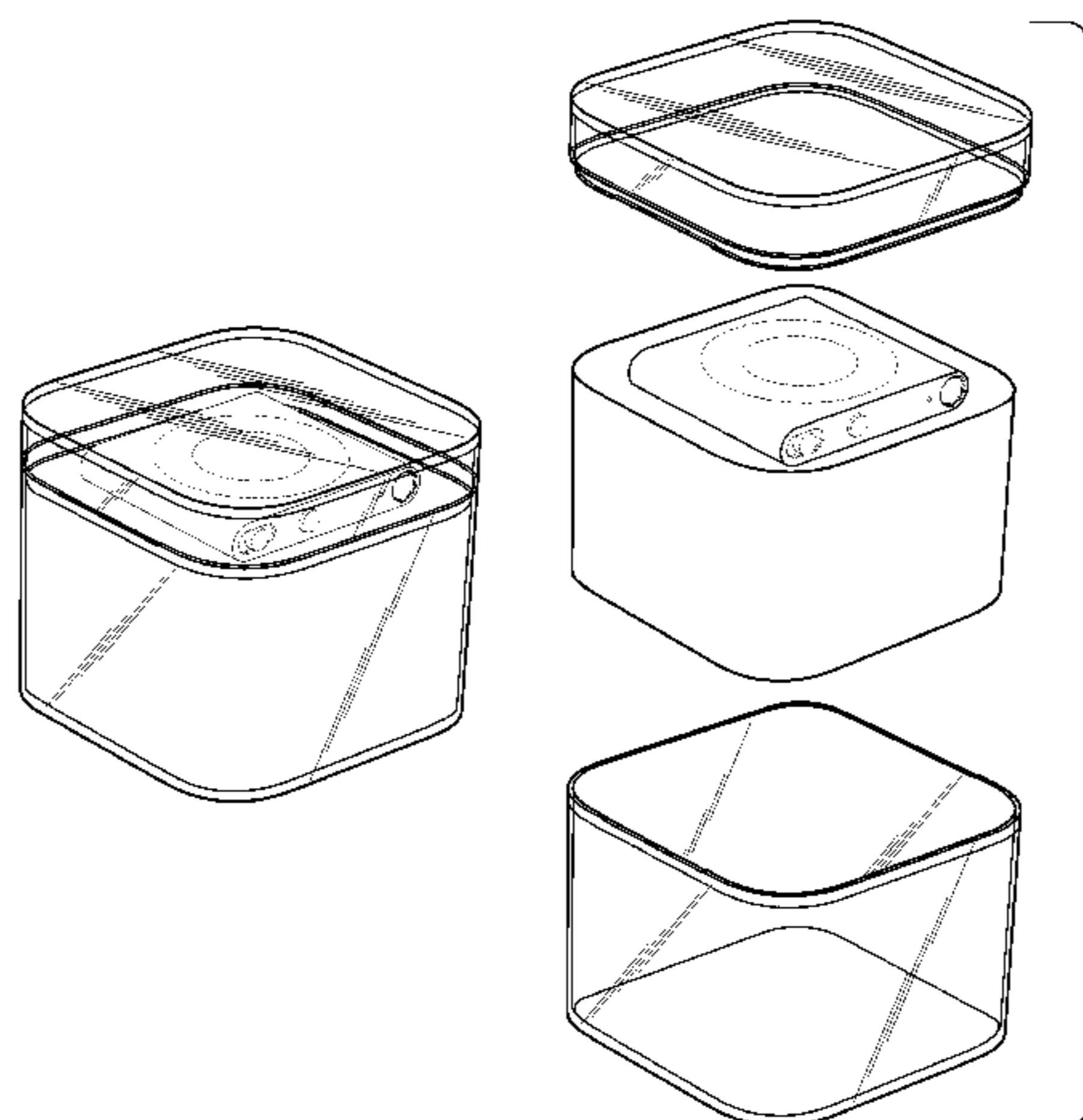
(57) **CLAIM**

The ornamental design for packaging, as shown and described.

DESCRIPTION

FIG. 1 is a top perspective view of a packaging showing our new design;
FIG. 2 is a bottom perspective view thereof;
FIG. 3 is a front view thereof, the rear view being a mirror image thereof;
FIG. 4 is a side view thereof, the other side view being a mirror image thereof;
FIG. 5 is a top view thereof;
FIG. 6 is a bottom view thereof;
FIG. 7 is another top perspective view thereof with the cover in an open position;
FIG. 8 is an exploded view of the packaging of FIG. 1;
FIG. 9 is a bottom perspective view of the packaging of FIG. 1 with the cover in an open position;
FIG. 10 is a front view thereof, the rear view being a mirror image thereof; and,
FIG. 11 is a side view thereof, the other side view being a mirror image thereof.
The shade lines in the Figures show transparency, and not surface ornamentation.
The broken lines show portions of the electronic device which form no part of the claimed design.

1 Claim, 11 Drawing Sheets



(56)

References Cited

U.S. PATENT DOCUMENTS

D255,400 S	6/1980	McCroskery		D484,797 S	1/2004	Kipperman et al.	
4,346,833 A	8/1982	Bernhardt		D501,764 S	2/2005	Lerner	
4,697,703 A *	10/1987	Will	206/438	D505,517 S	5/2005	Baresi et al.	
4,750,619 A	6/1988	Cohen et al.		D514,931 S	2/2006	Snedden et al.	
5,012,928 A	5/1991	Proffitt et al.		D558,571 S	1/2008	Andre et al.	
5,105,941 A	4/1992	Dolan et al.		D558,572 S	1/2008	Andre et al.	
D327,220 S *	6/1992	Proffitt et al.	D9/423	D576,486 S	9/2008	Koza	
5,323,926 A	6/1994	Pomroy et al.		D580,752 S	11/2008	Andre et al.	
D371,962 S *	7/1996	Petruzzi	D9/423	D582,267 S	12/2008	Andre et al.	
D372,707 S	8/1996	Grewe et al.		D584,142 S	1/2009	Andre et al.	
D387,982 S	12/1997	Kaplan		D596,485 S	7/2009	Andre et al.	
D419,870 S *	2/2000	Albright et al.	D9/423	D604,605 S	11/2009	Chung et al.	
6,102,233 A	8/2000	Waugh		D616,741 S	6/2010	Andre et al.	
D473,054 S	4/2003	Roehrig		D620,795 S	8/2010	Andre et al.	
D484,646 S	12/2003	Ditrichstein		D621,256 S	8/2010	Andre et al.	
				7,878,326 B2	2/2011	Andre et al.	
				8,365,910 B2 *	2/2013	Valaie et al.	206/363

* cited by examiner

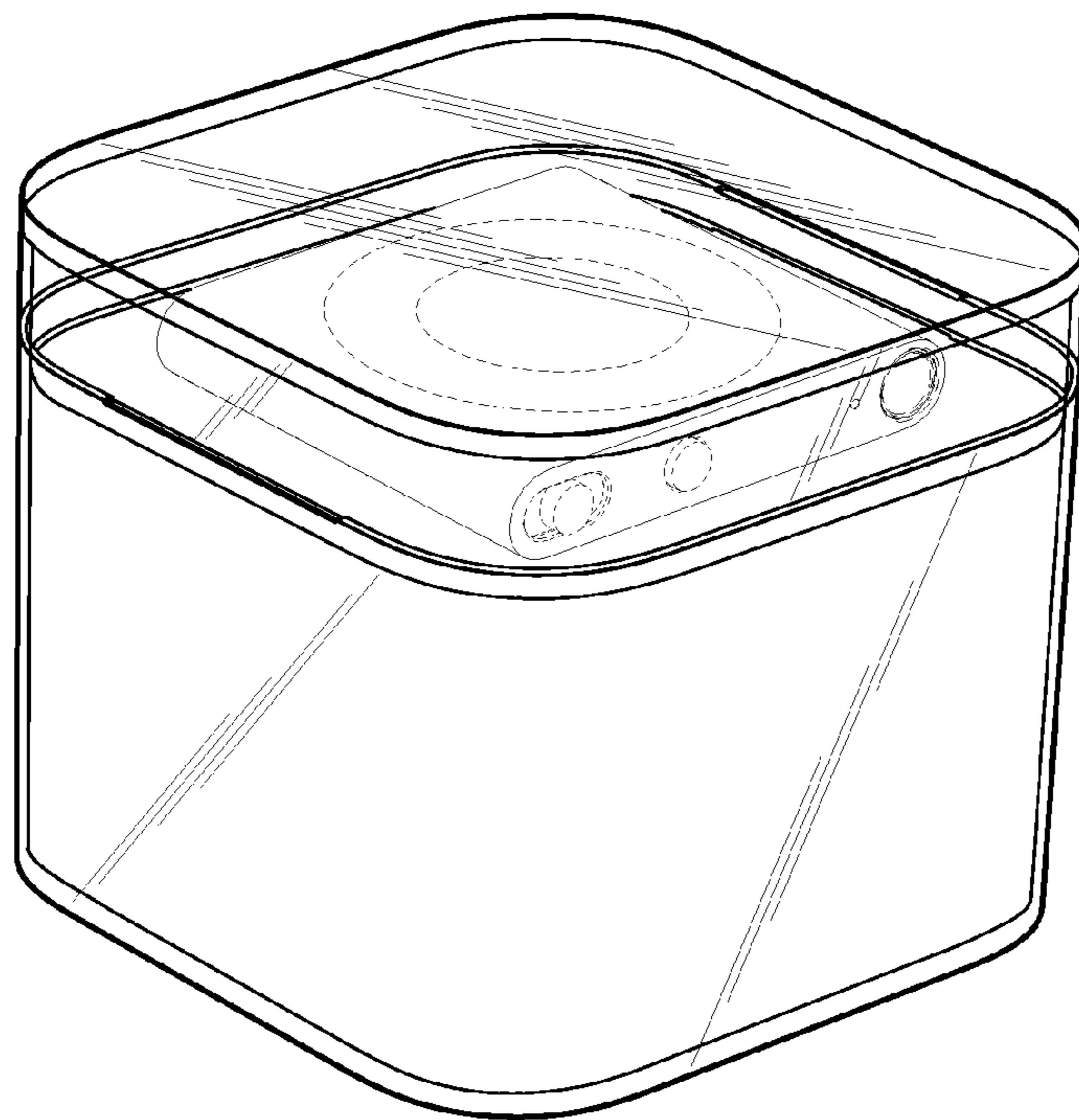


FIG.1

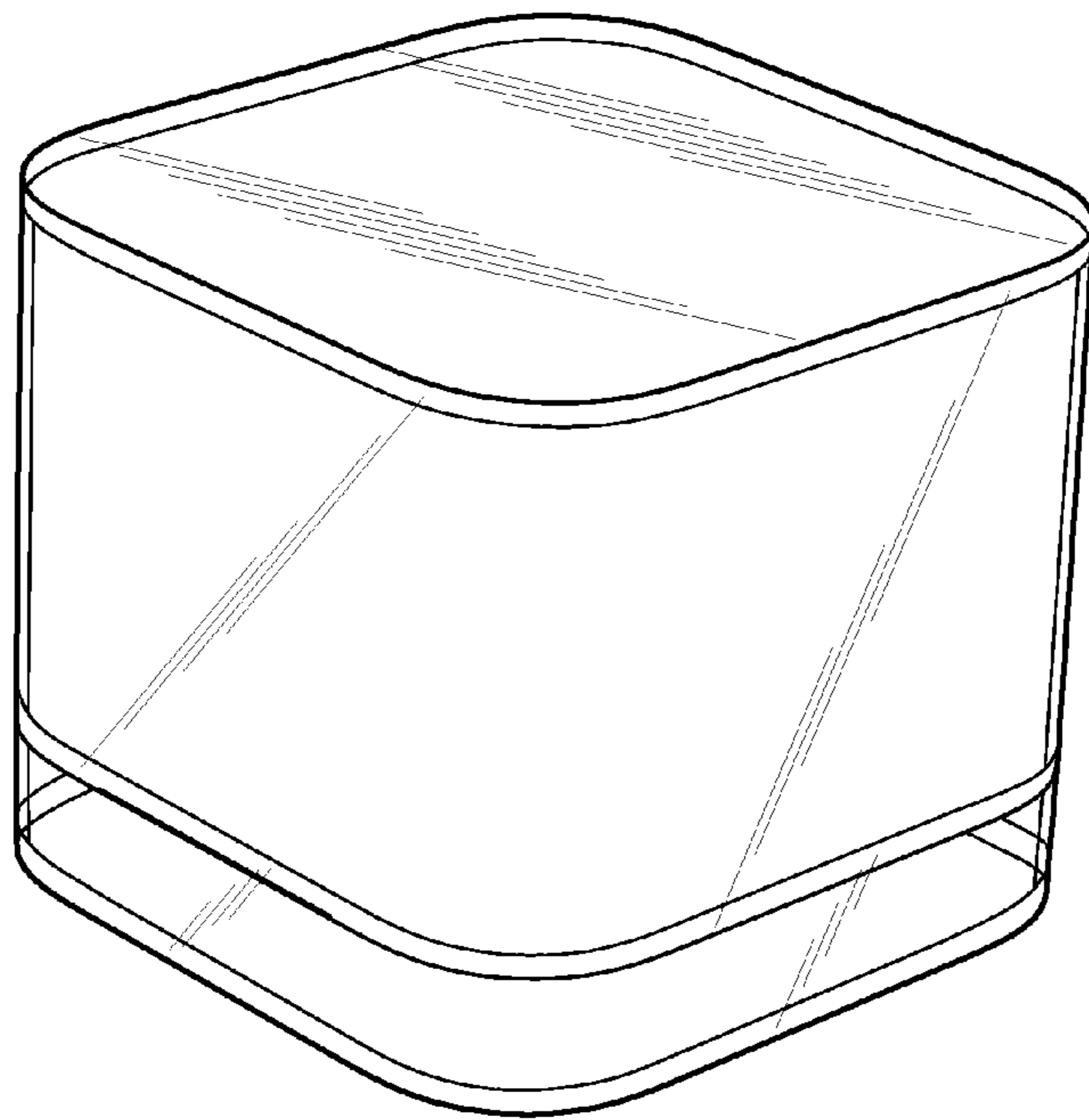


FIG.2

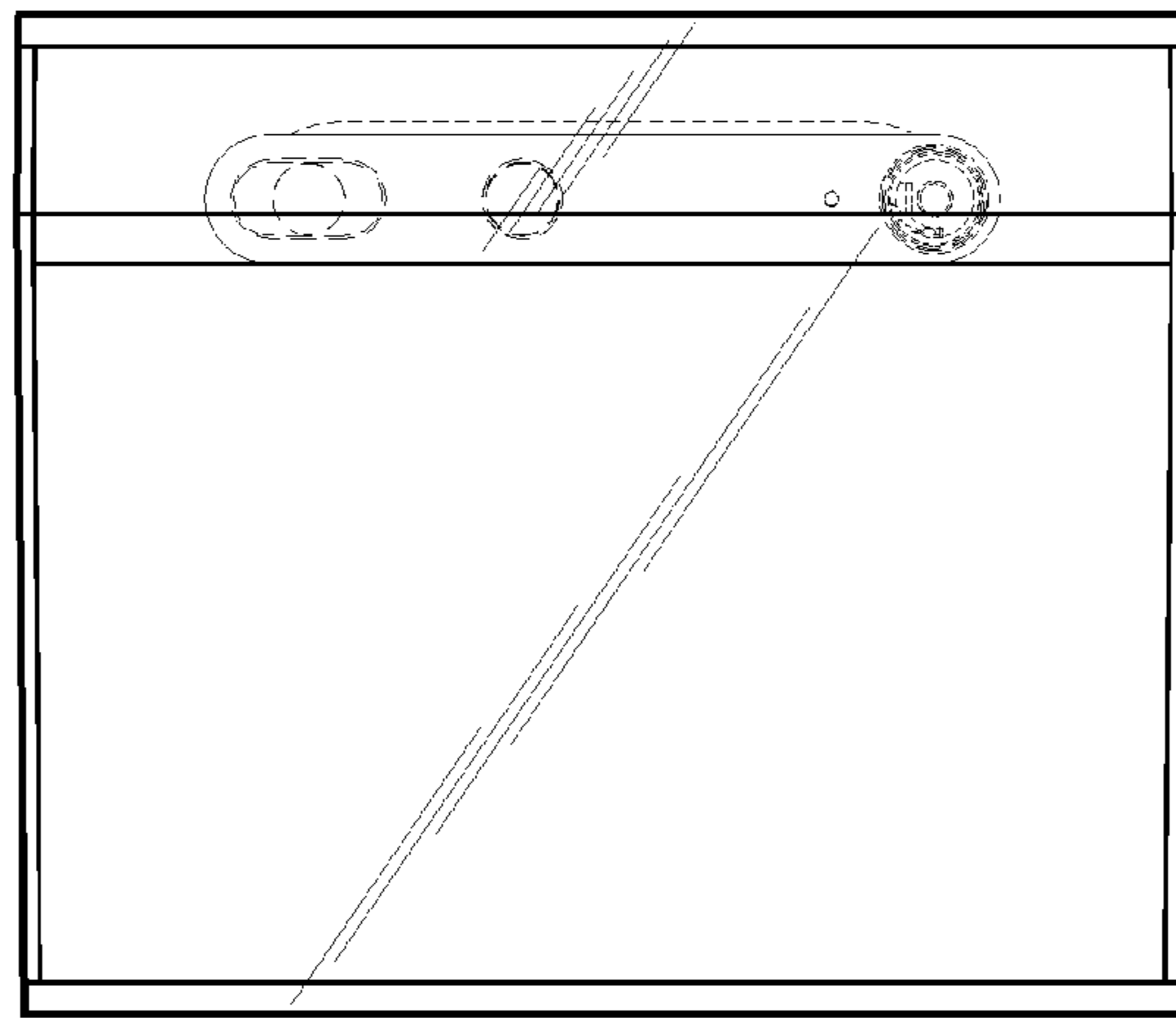


FIG.3

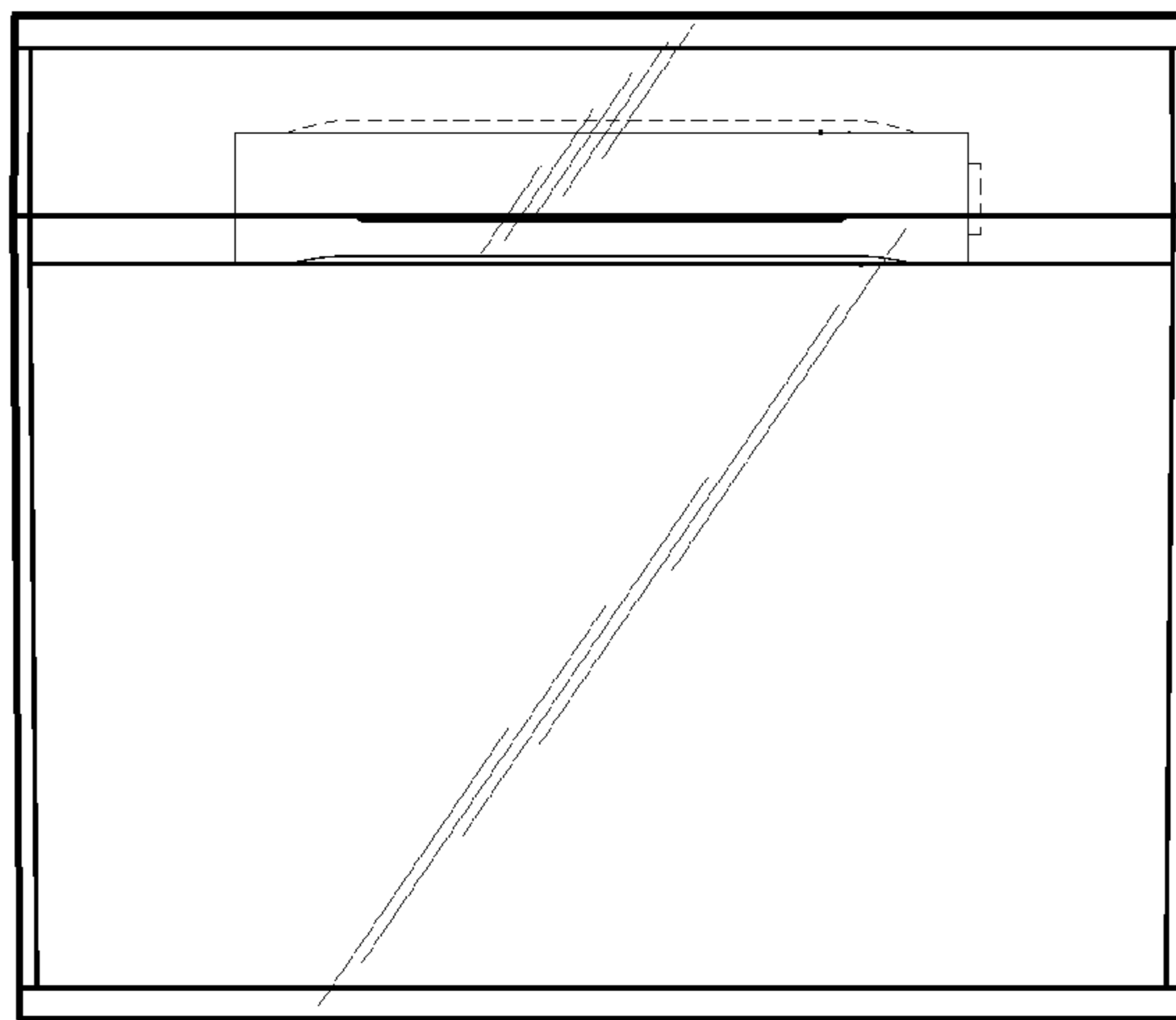


FIG.4

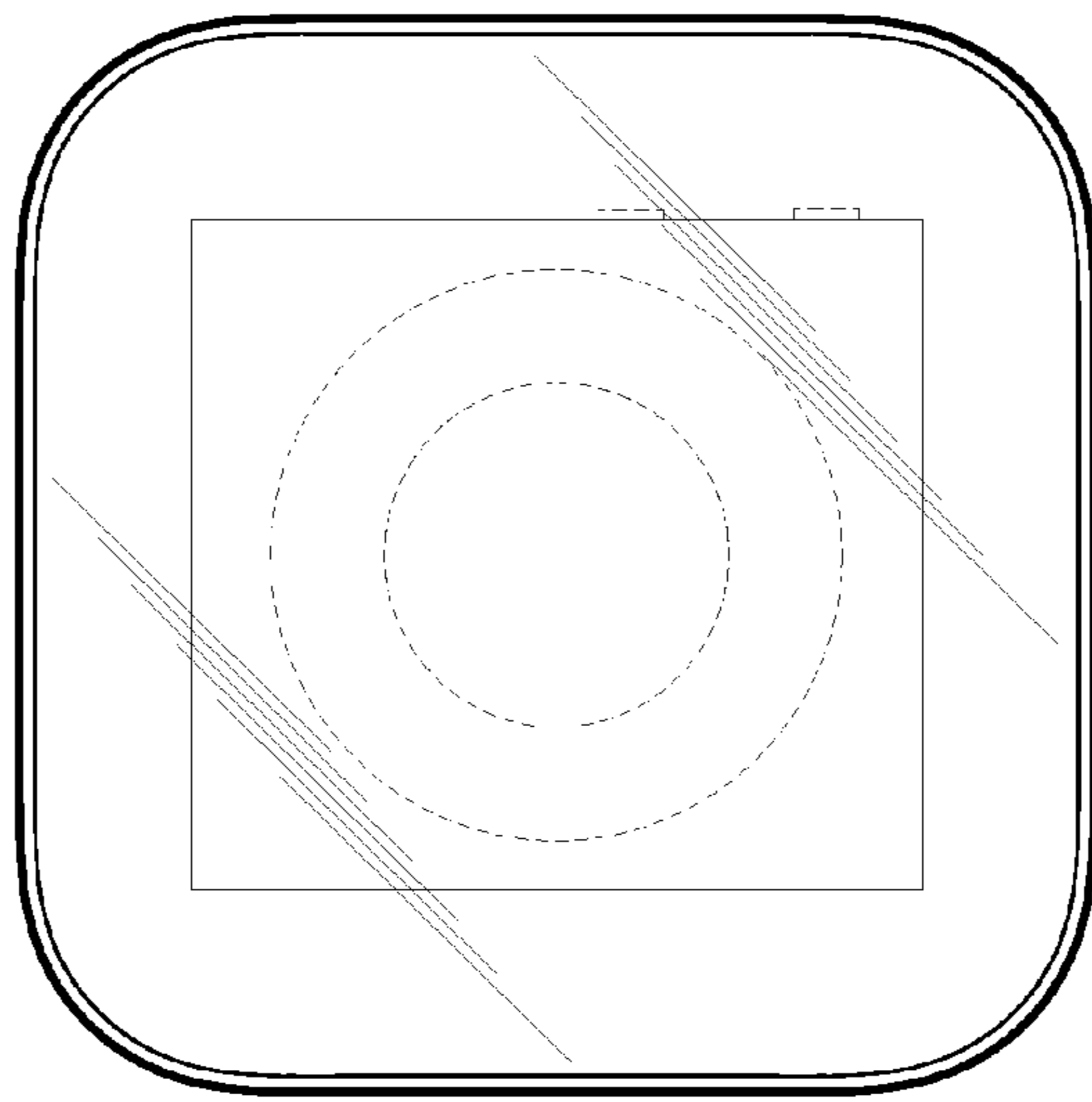


FIG. 5

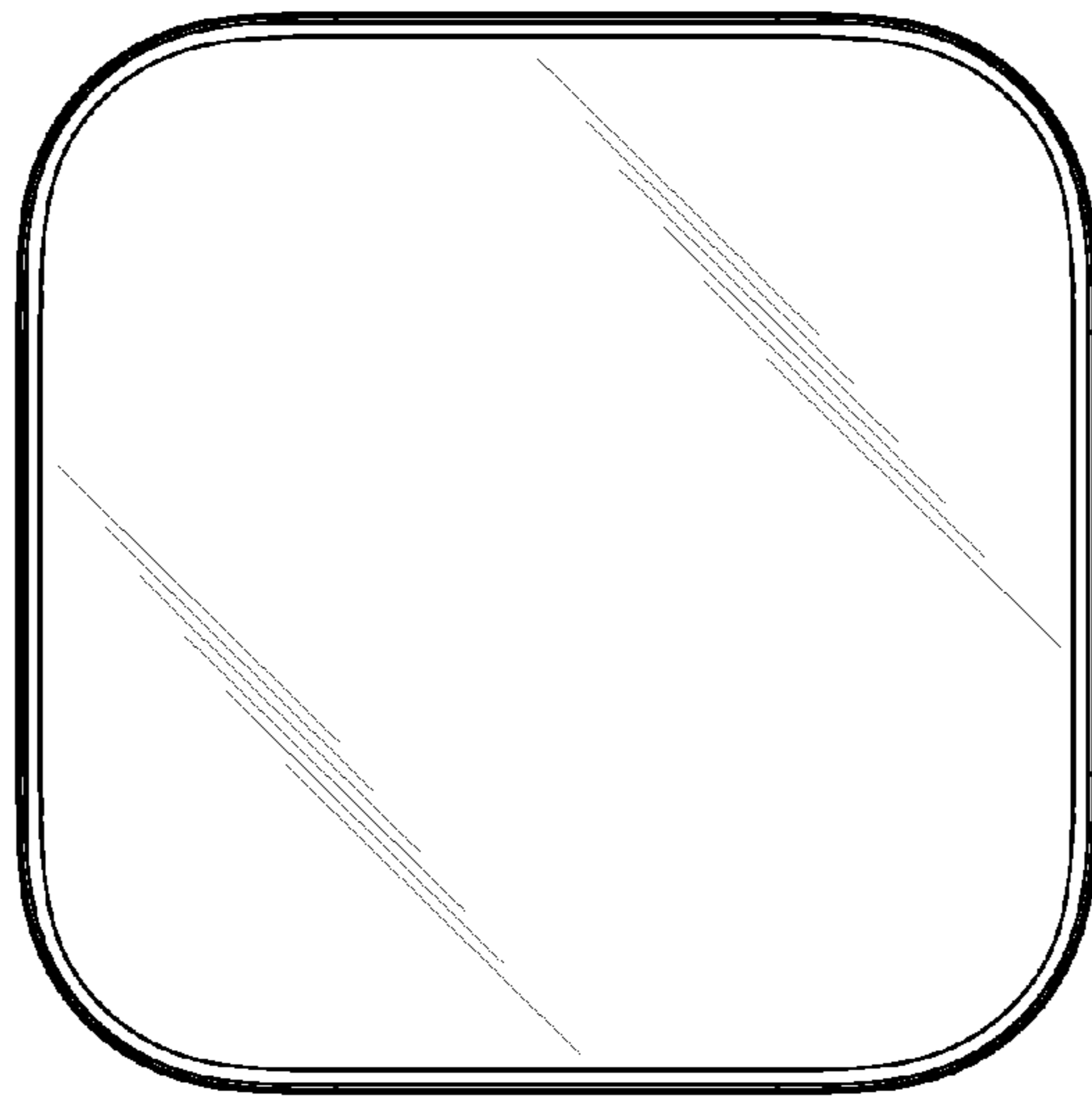


FIG.6

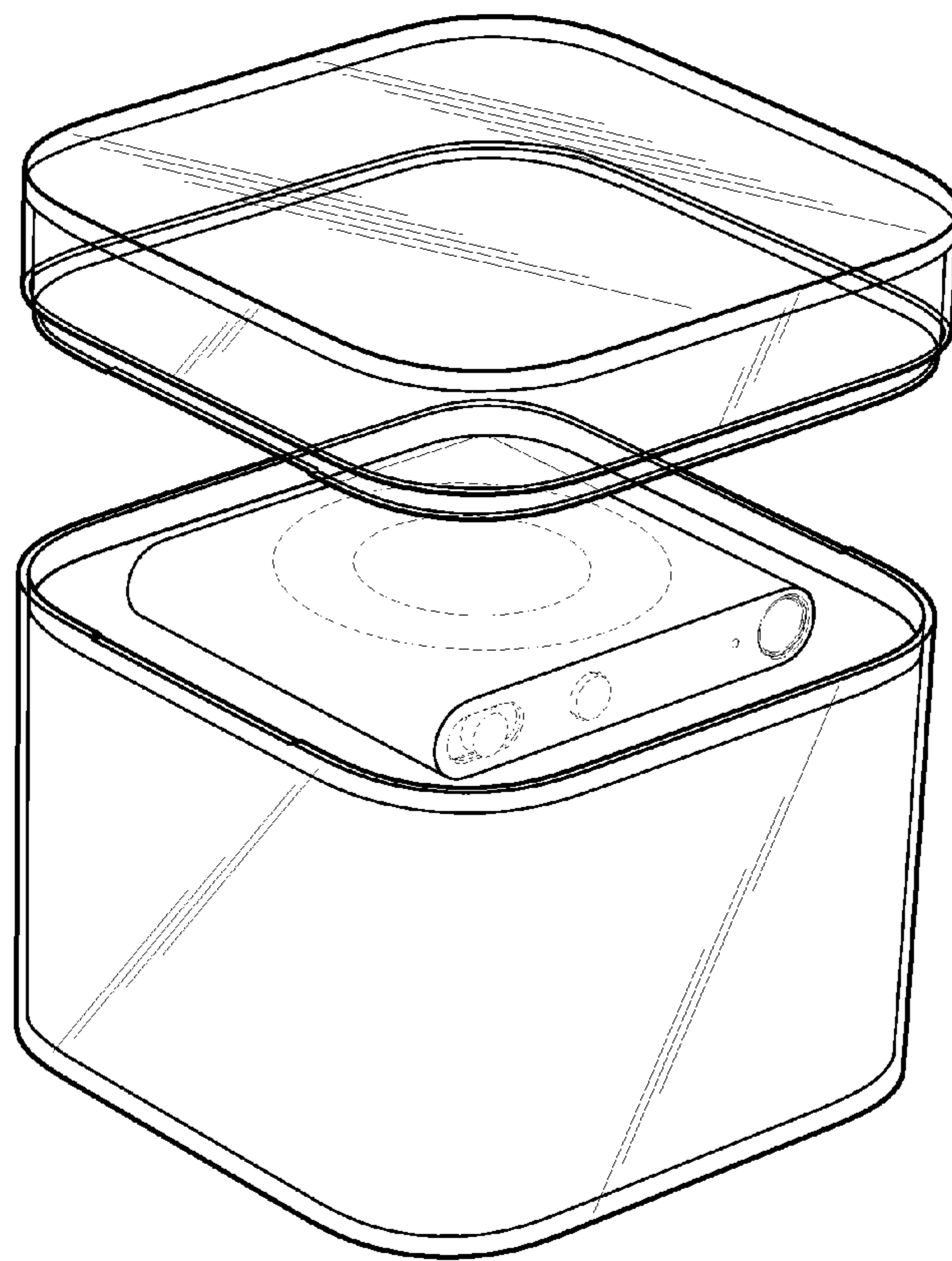


FIG.7

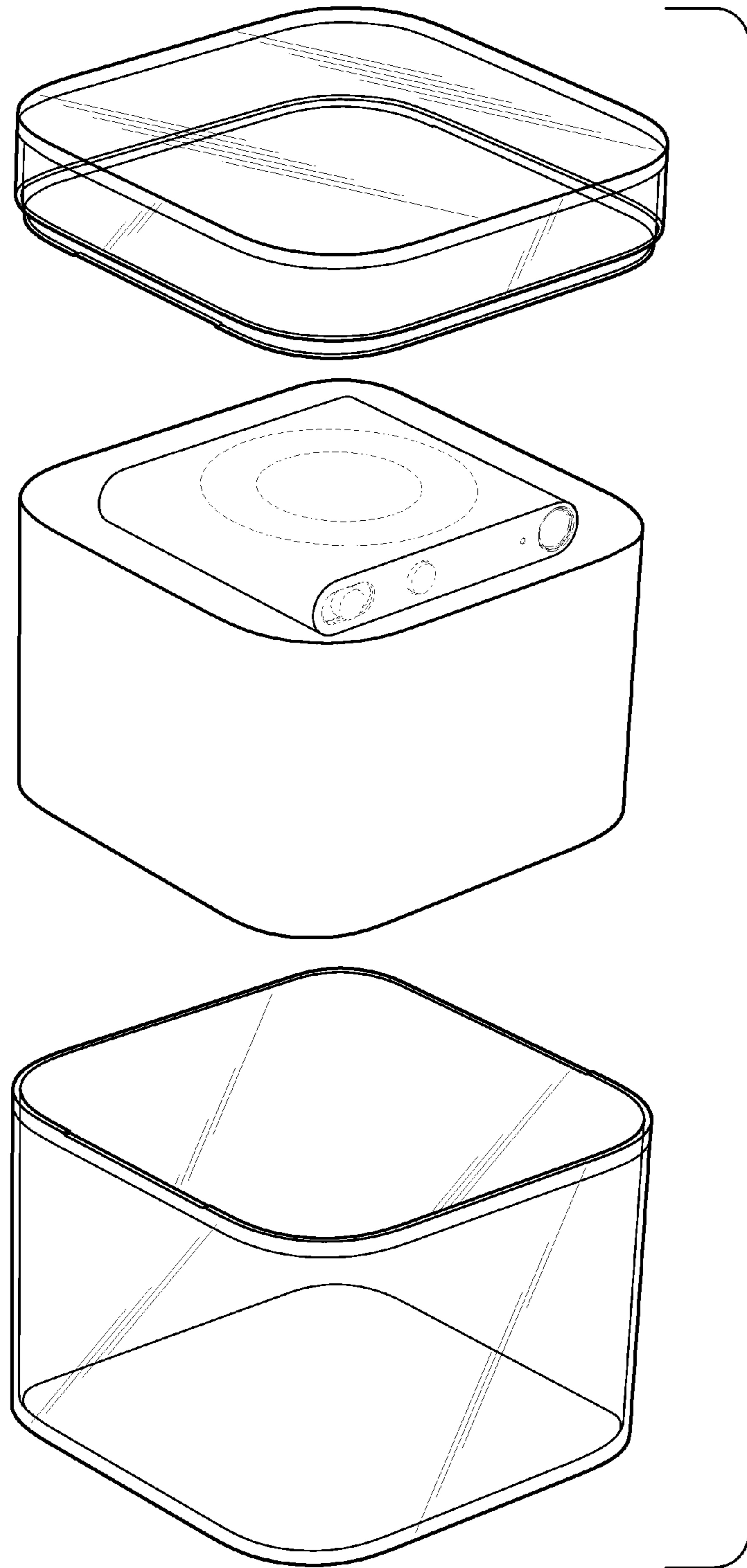


FIG.8

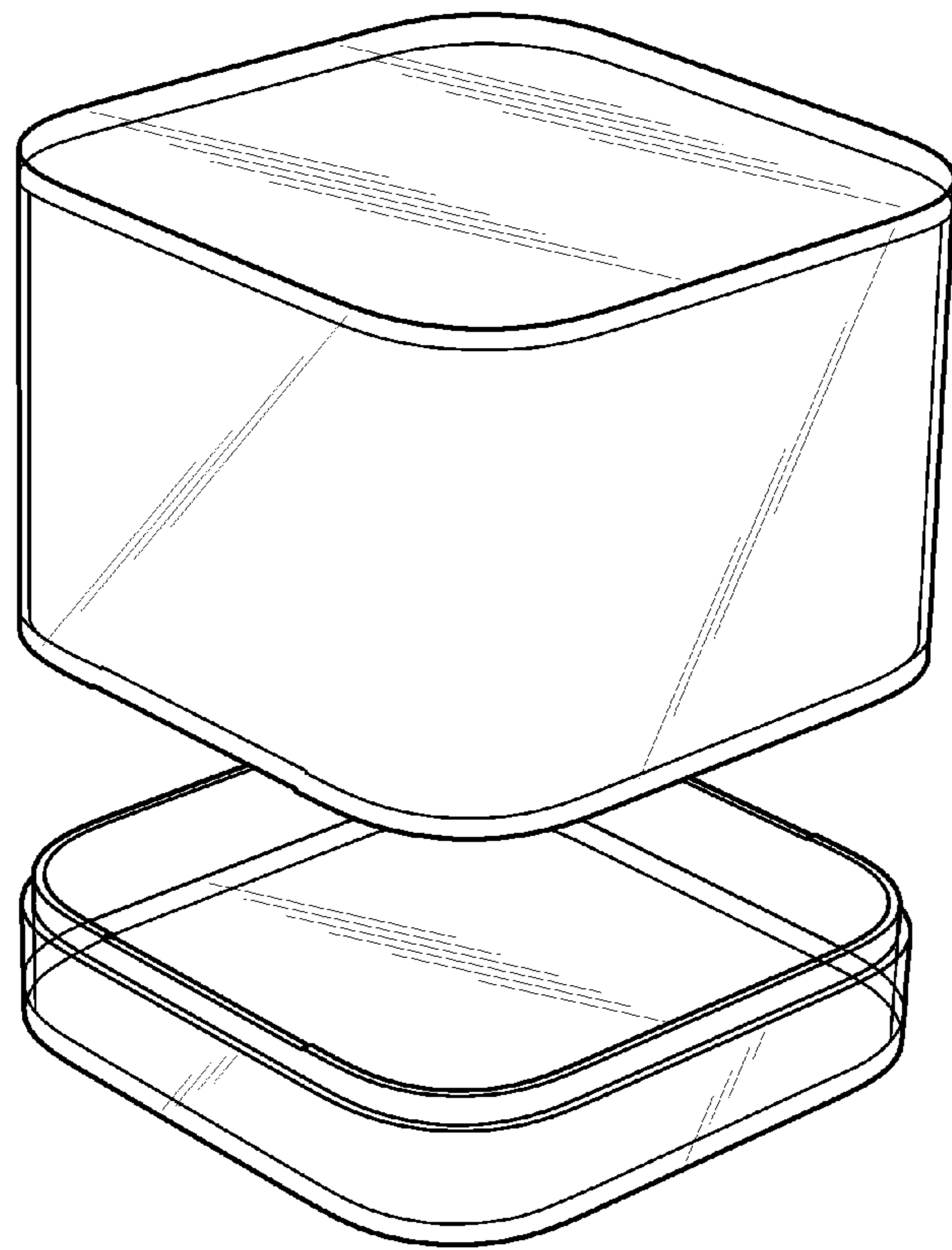


FIG.9

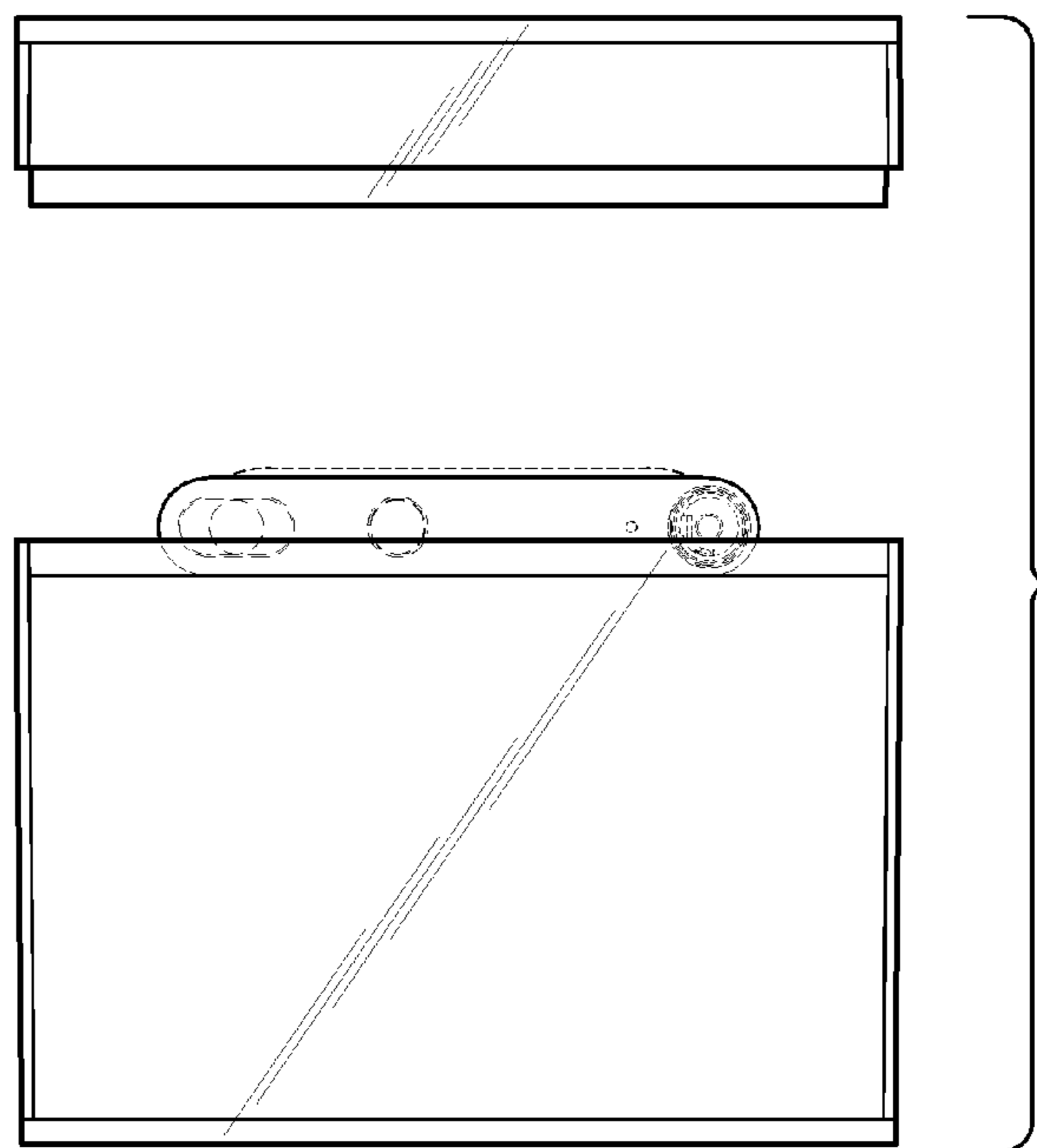


FIG.10

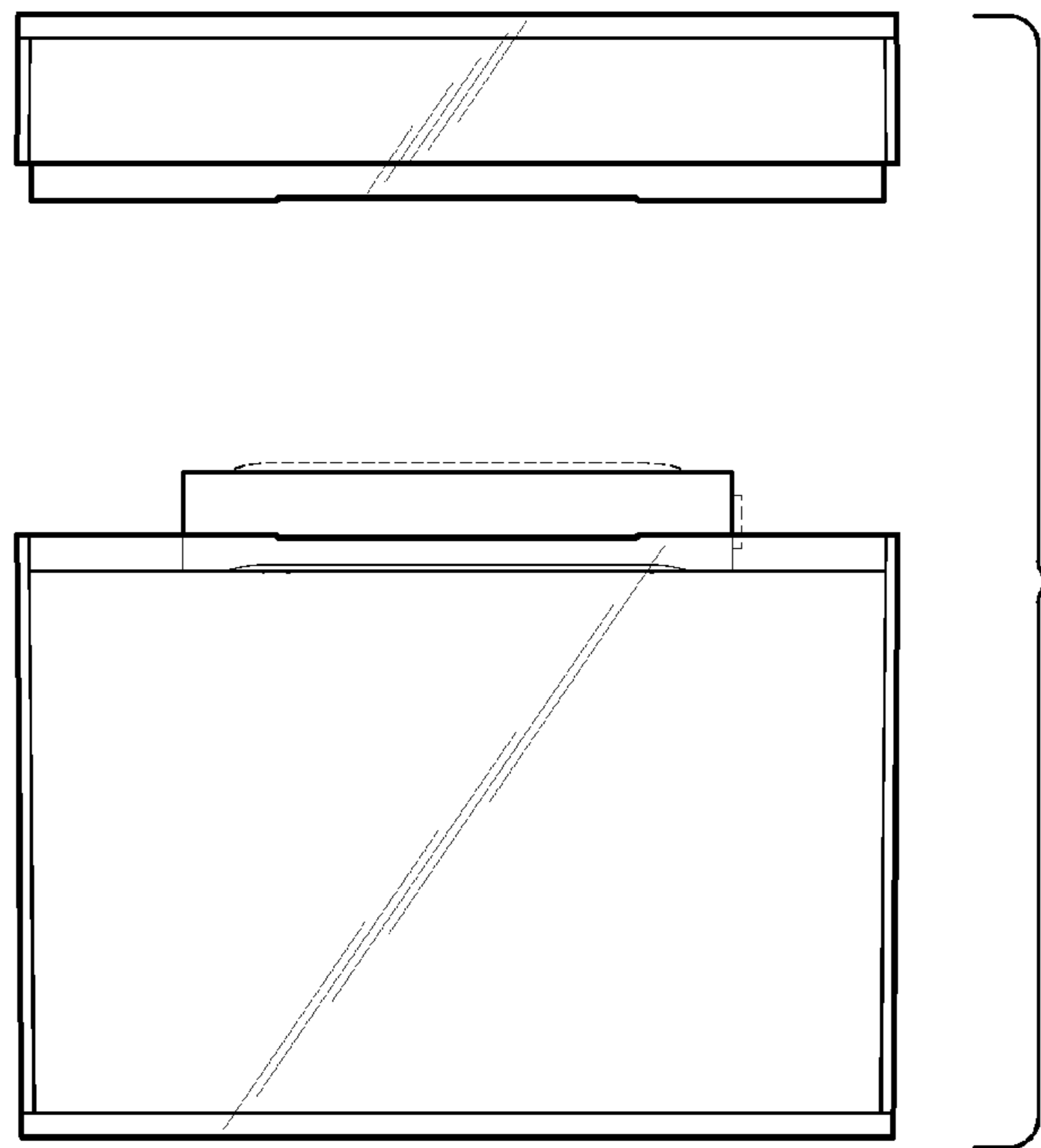


FIG.11