



US00D702545S

(12) **United States Design Patent**  
**Barth**

(10) **Patent No.:** **US D702,545 S**

(45) **Date of Patent:** **\*\* Apr. 15, 2014**

(54) **SINGLE USE CONTAINER FOR TATTOO INK**

(56) **References Cited**

(76) Inventor: **Mario Barth**, Washington Township, NJ  
(US)

U.S. PATENT DOCUMENTS

(\*\*) Term: **14 Years**

5,678,684 A *	10/1997	Wright	206/204
D464,877 S *	10/2002	Weinstein et al.	D9/418
D504,064 S *	4/2005	Lee et al.	D9/415
D513,589 S *	1/2006	Grant	D9/457
D665,252 S *	8/2012	Mulready	D9/418
8,459,452 B1 *	6/2013	Barth	206/224
D695,103 S *	12/2013	Kirk et al.	D9/416

(21) Appl. No.: **29/429,834**

(22) Filed: **Aug. 17, 2012**

\* cited by examiner

(51) **LOC (10) Cl.** ..... **09-03**

*Primary Examiner* — Robert M Spear

(52) **U.S. Cl.**

*Assistant Examiner* — Rhea Shields

USPC ..... **D9/418**

(74) *Attorney, Agent, or Firm* — Epstein Drangel LLP;  
Robert L. Epstein

(58) **Field of Classification Search**

USPC ..... D9/346, 414–418, 424, 425, 423, 428,  
D9/429, 431–436, 445, 452–454, 499, 500,  
D9/504, 516, 519, 522, 529, 535, 537, 545,  
D9/551, 571, 672, 675, 702, 711, 715, 721,  
D9/722, 737, 748, 759, 740, 743, 745, 749,  
D9/756; 206/769, 773, 775–778, 395,  
206/397–398, 223, 736, 756, 495, 349, 760,  
206/541, 784; 229/162.1, 162.3, 162.7,  
229/107, 122, 395, 938, 902, 409, 125.05,  
229/116.1, 8, 22; D21/108; D11/142;  
D7/538

(57) **CLAIM**

The ornamental design for a single use container for tattoo ink, as shown and described.

**DESCRIPTION**

FIG. 1 is a perspective view of my design;  
FIG. 2 is a front elevation view of my design, the rear view being a mirror image thereof;  
FIG. 3 is right side view of my new design, the left side being a mirror image thereof.  
FIG. 4 is a top view of my design; and,  
FIG. 5 is a bottom view of my design.

See application file for complete search history.

**1 Claim, 4 Drawing Sheets**

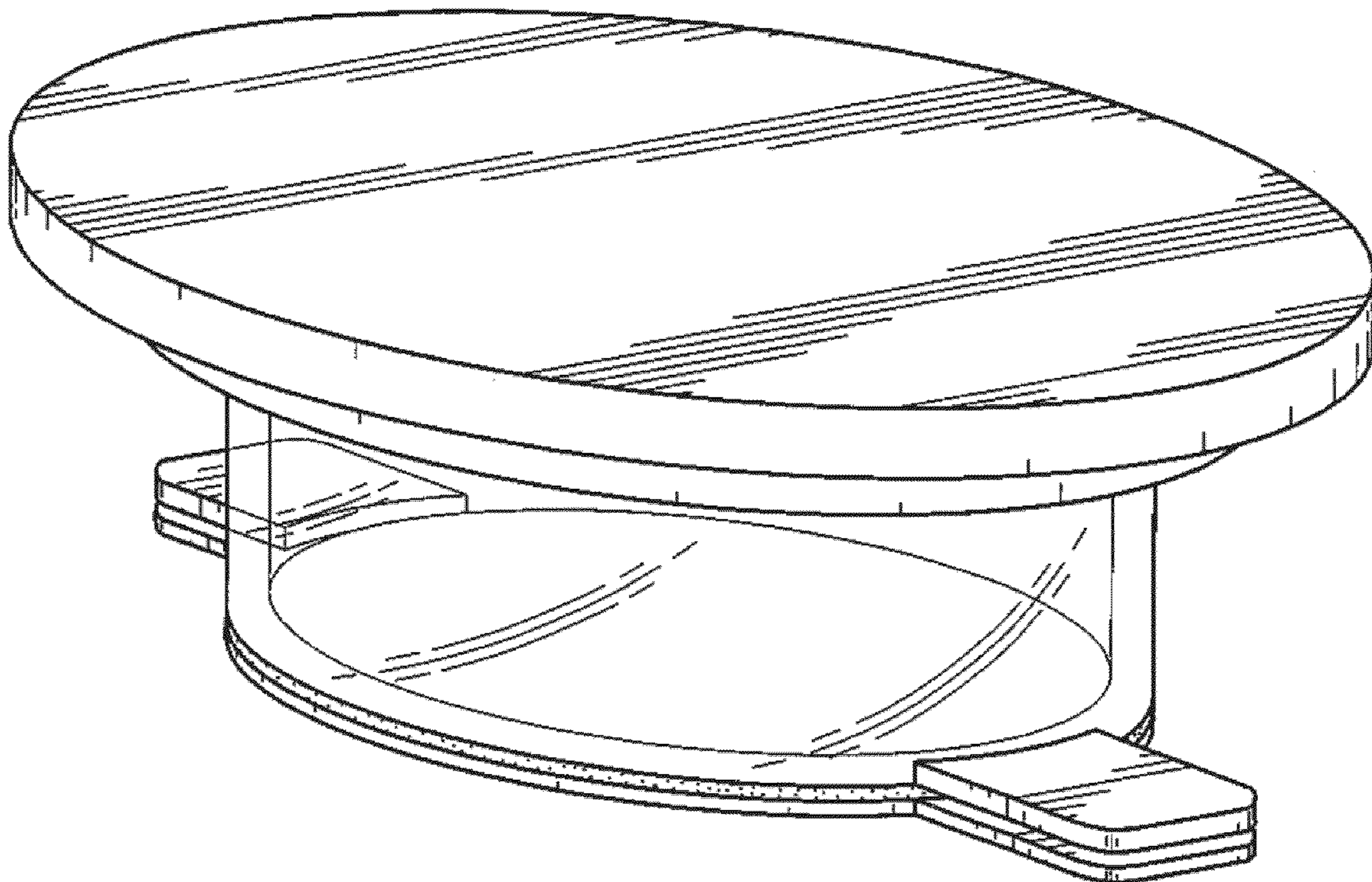


FIG. 1

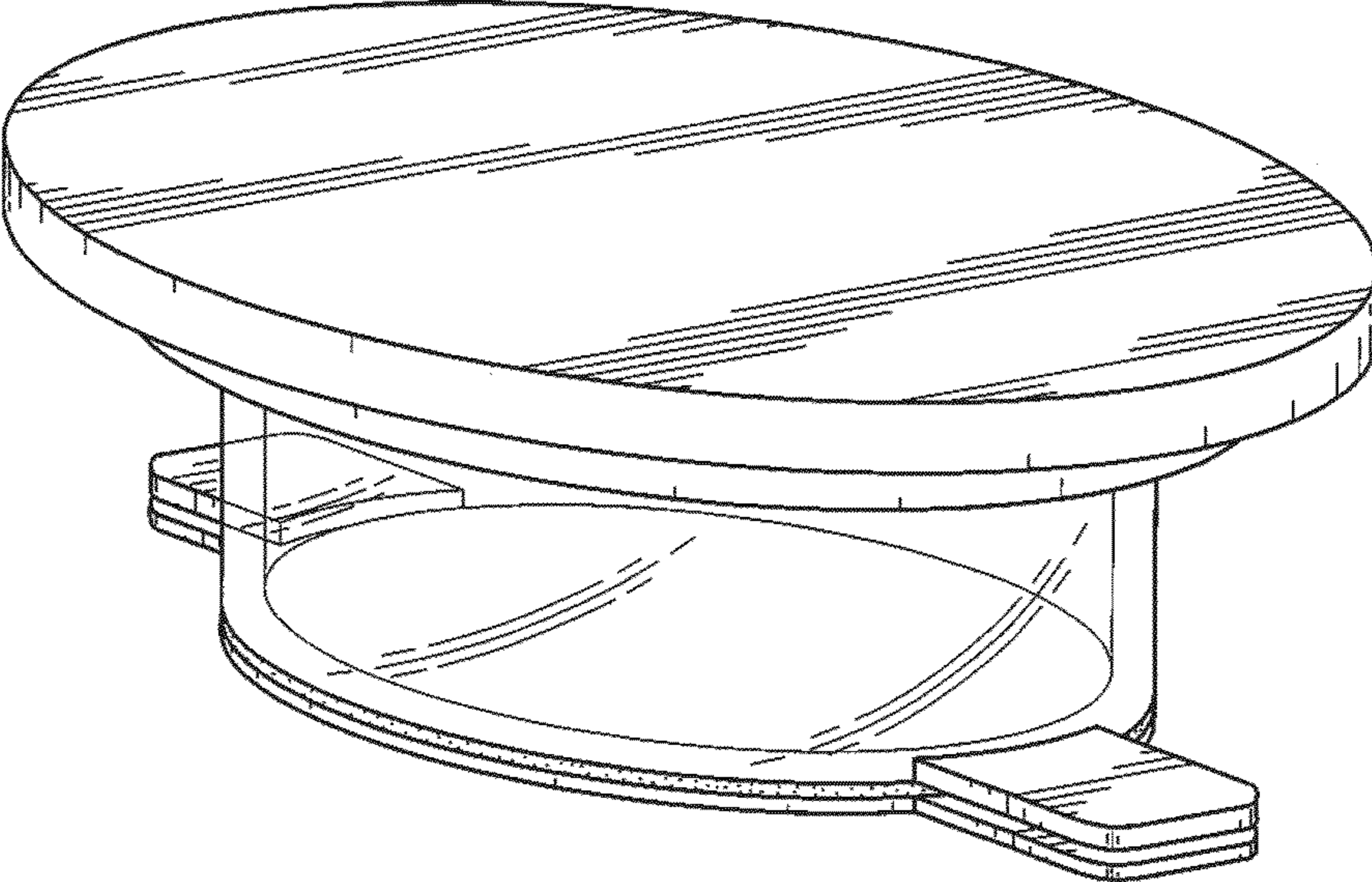


FIG. 2

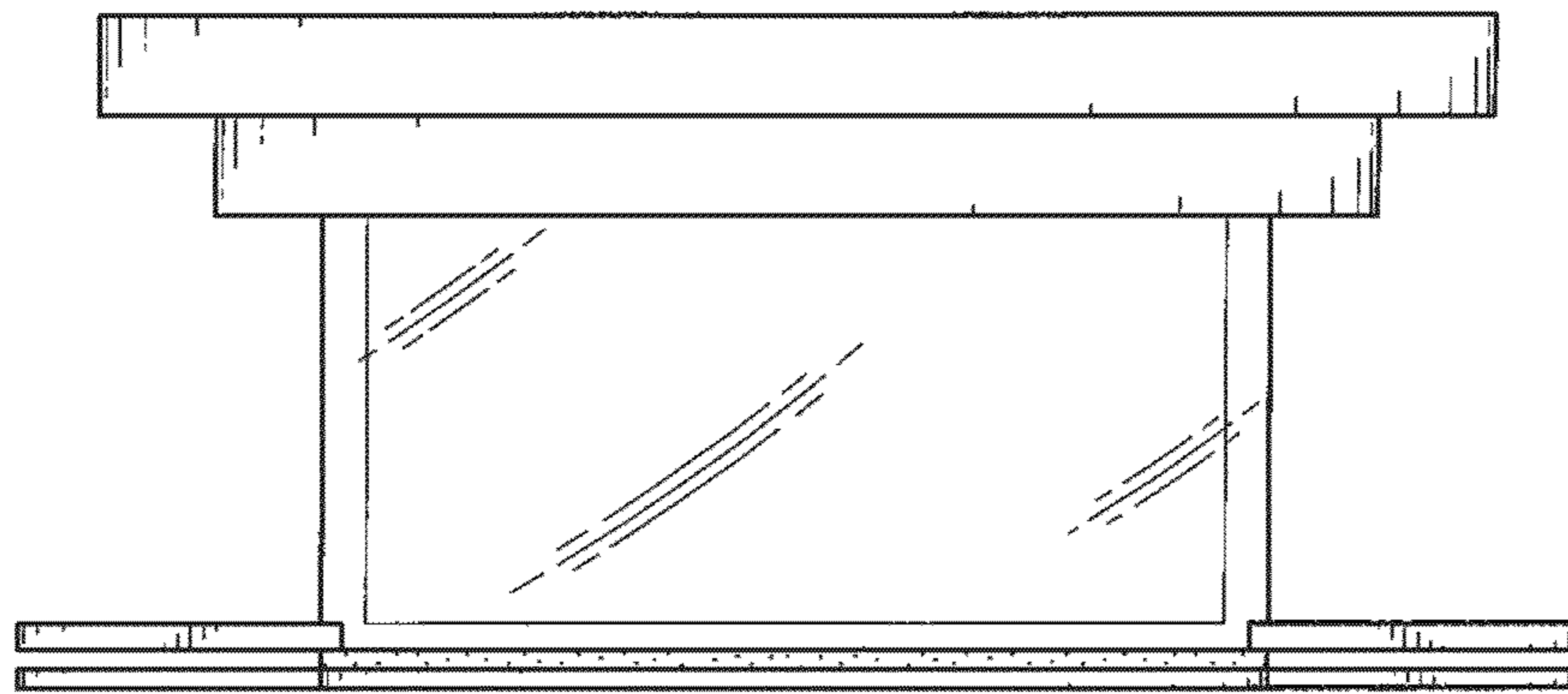


FIG. 3

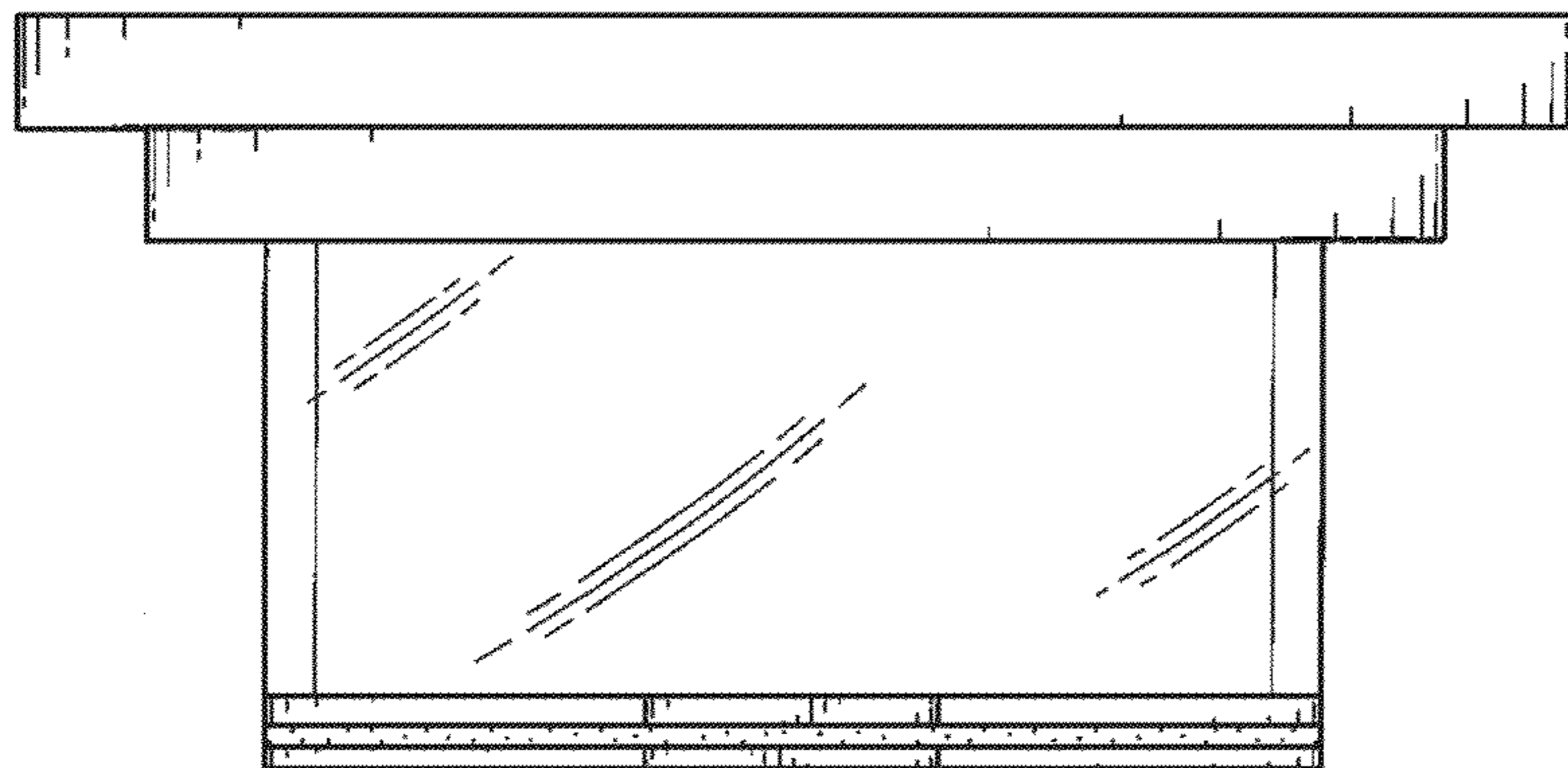


FIG. 4

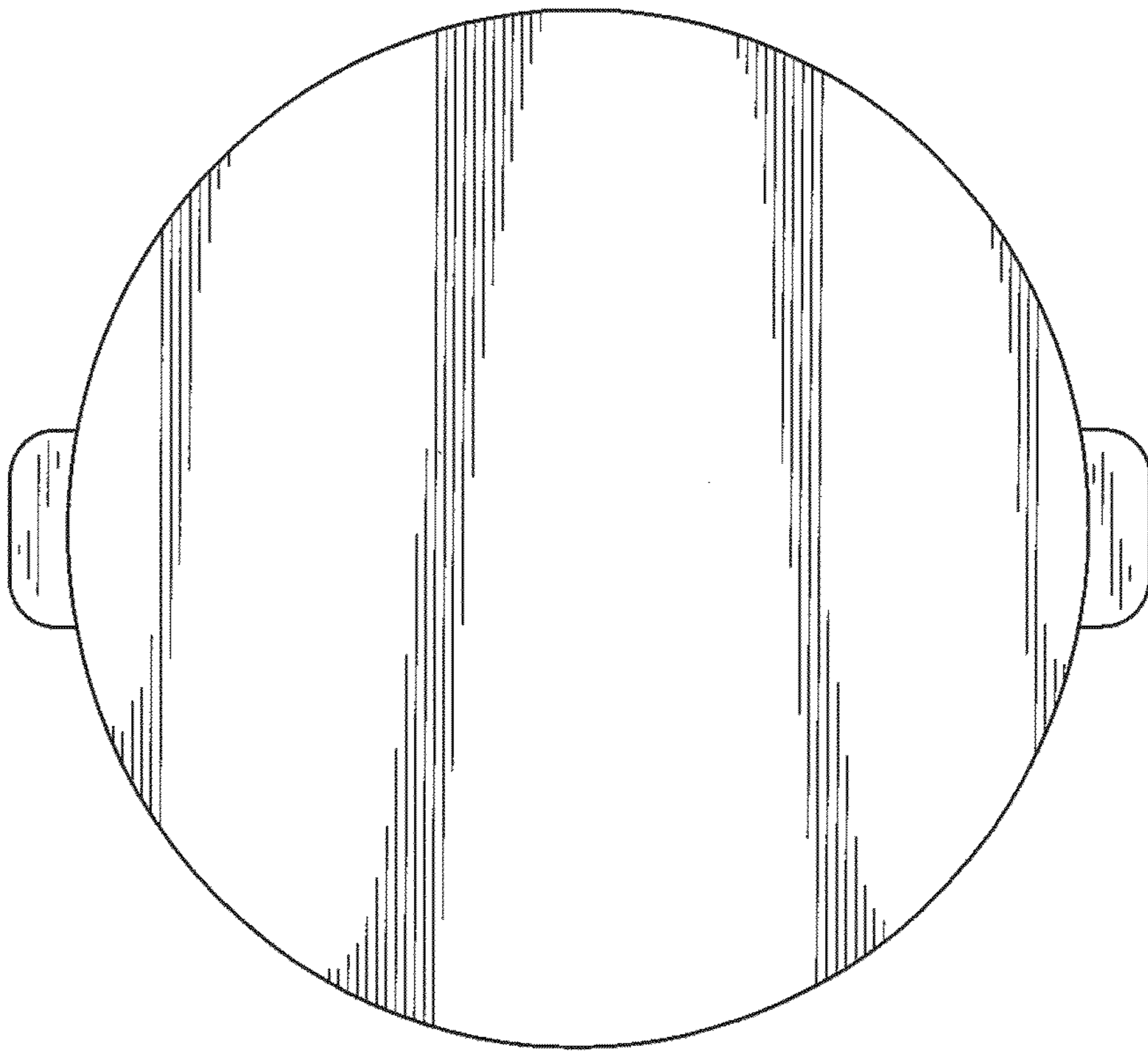


FIG. 5

