



US00D702544S

(12) **United States Design Patent**
Hohmann, Jr.

(10) **Patent No.:** **US D702,544 S**
(45) **Date of Patent:** **** Apr. 15, 2014**

(54) **THERMAL WING NUT ANCHOR HAVING CONTINUOUS THREADS**

3,309,828 A 3/1967 Tribble
3,341,998 A 9/1967 Lucas
3,353,312 A 11/1967 Storch
3,377,764 A 4/1968 Storch

(75) Inventor: **Ronald P. Hohmann, Jr.**, Hauppauge, NY (US)

(Continued)

(73) Assignee: **Mitek Holdings, Inc.**, Wilmington, DE (US)

FOREIGN PATENT DOCUMENTS

(**) Term: **14 Years**

CA 2502978 C 1/2009
CH 279209 A 11/1951

(Continued)

(21) Appl. No.: **29/428,141**

OTHER PUBLICATIONS

(22) Filed: **Jul. 26, 2012**

ASTM WK 2748, Leakage Air Barrier Assemblies, Jan. 2005.

(51) **LOC (10) Cl.** **08-08**

(Continued)

(52) **U.S. Cl.**
USPC **D8/398**

(58) **Field of Classification Search**
USPC D8/399, 382, 349, 397, 394, 70, 356, D8/398; 411/429, 432, 918, 179, 180, 396, 411/400; D23/262; 285/321; 403/114, 115, 403/145, 146; 81/177.7, 177.75, 177.85, 81/176.2; 29/525.2, 592; 52/565, 698

Primary Examiner — Cynthia Underwood

(74) *Attorney, Agent, or Firm* — Senniger Powers LLP

(57) **CLAIM**

The ornamental design for a thermal wing nut anchor having continuous threads, as shown and described.

See application file for complete search history.

DESCRIPTION

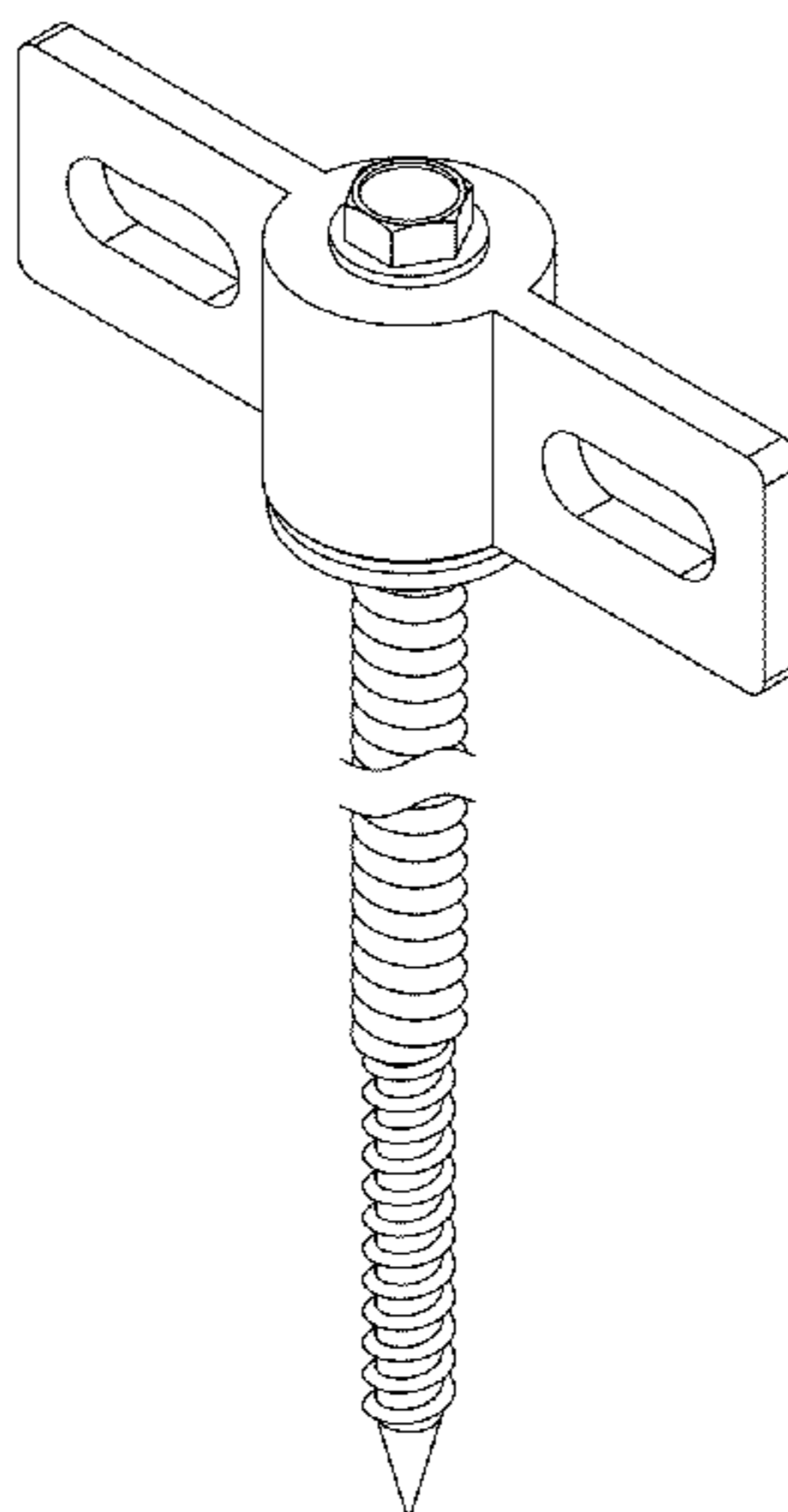
(56) **References Cited**

U.S. PATENT DOCUMENTS

1,392,703 A	10/1921	Phillips
1,798,468 A	3/1931	Hartzler et al.
1,854,633 A	4/1932	Stephens
1,942,863 A	1/1934	Johnstone
2,058,148 A	10/1936	Hard
2,130,531 A	9/1938	Arand
2,240,117 A	4/1941	Homolya
2,280,647 A	4/1942	Hawes
2,403,566 A	7/1946	Thorp et al.
2,580,330 A	12/1951	Symons
2,948,045 A	8/1960	Imonetti
2,966,705 A	1/1961	Massey
2,999,571 A	9/1961	Huber
3,277,626 A	10/1966	Brynjolfsson et al.
3,292,336 A	12/1966	Brynjolfsson et al.

FIG. 1 is a perspective view of a thermal wing nut anchor having continuous threads;
FIG. 2 is a front view of the thermal wing nut anchor having continuous threads, the rear view being identical thereto;
FIG. 3 is a left side view of the thermal wing nut anchor having continuous threads, the right side view being identical thereto;
FIG. 4 is a top view of the thermal wing nut anchor having continuous threads; and,
FIG. 5 is a bottom view of the thermal wing nut anchor having continuous threads.
The broken away symbols in the drawings indicate that any portion of the article beyond what is shown forms no part of the claimed design.

1 Claim, 4 Drawing Sheets



(56)

References Cited

U.S. PATENT DOCUMENTS

3,494,090 A 2/1970 Allen
 3,500,713 A 3/1970 Bell
 3,523,395 A 8/1970 Rutter et al.
 3,587,198 A 6/1971 Hensel
 3,707,815 A 1/1973 Molyneux
 3,786,605 A 1/1974 Winfrey
 3,964,226 A 6/1976 Hala et al.
 4,002,001 A 1/1977 Uydess
 4,021,990 A 5/1977 Schwalberg
 4,107,890 A 8/1978 Seghezzi et al.
 4,108,560 A 8/1978 Minogue
 D259,171 S * 5/1981 Wallace D8/385
 4,305,239 A 12/1981 Geraghty
 4,329,823 A 5/1982 Simpson
 4,350,464 A 9/1982 Brothers
 4,373,314 A 2/1983 Allan
 4,422,617 A 12/1983 Gallis
 4,426,061 A 1/1984 Taggart
 4,430,035 A 2/1984 Rodseth
 4,438,611 A 3/1984 Bryant
 4,473,209 A 9/1984 Gallis et al.
 4,473,984 A 10/1984 Lopez
 4,596,102 A 6/1986 Catani et al.
 4,598,518 A 7/1986 Hohmann
 4,600,344 A 7/1986 Sutenbach et al.
 4,606,163 A 8/1986 Catani
 4,653,244 A * 3/1987 Farrell 52/745.21
 4,660,342 A 4/1987 Salisbury
 4,680,913 A 7/1987 Geisen et al.
 4,736,554 A 4/1988 Tyler
 4,764,069 A 8/1988 Reinwall et al.
 4,825,614 A 5/1989 Bennett et al.
 4,852,320 A 8/1989 Ballantyne
 4,869,038 A 9/1989 Catani
 4,869,043 A 9/1989 Hatzinikolas et al.
 4,875,319 A 10/1989 Hohmann
 4,955,172 A 9/1990 Pierson
 4,970,842 A 11/1990 Kappeler et al.
 5,012,624 A 5/1991 Dahlgren
 5,016,855 A 5/1991 Huggins
 5,063,722 A 11/1991 Hohmann
 5,207,043 A 5/1993 McGee et al.
 5,209,619 A 5/1993 Rinderer
 5,347,781 A 9/1994 Hanlon
 5,392,581 A 2/1995 Hatzinikolas et al.
 5,408,798 A 4/1995 Hohmann
 5,433,569 A 7/1995 Fall et al.
 5,439,338 A 8/1995 Rosenberg
 5,454,200 A 10/1995 Hohmann
 5,456,052 A 10/1995 Anderson et al.
 D373,623 S * 9/1996 Mathison D23/260
 5,634,310 A 6/1997 Hohmann
 5,644,889 A 7/1997 Getz
 5,671,578 A 9/1997 Hohmann
 RE35,659 E 11/1997 Ernst et al.
 5,806,275 A * 9/1998 Giannuzzi et al. 52/704
 5,816,008 A 10/1998 Hohmann
 5,836,126 A 11/1998 Harkenrider et al.
 D406,524 S 3/1999 Steenson et al.
 6,128,883 A 10/2000 Hatzinikolas

6,131,360 A 10/2000 Dalen
 6,209,281 B1 4/2001 Rice
 6,279,283 B1 8/2001 Hohmann et al.
 6,332,300 B1 12/2001 Wakai
 6,345,472 B1 2/2002 Taylor
 6,401,406 B1 6/2002 Komara
 6,502,362 B1 1/2003 Zambelli et al.
 6,668,505 B1 12/2003 Hohmann et al.
 6,763,640 B2 7/2004 Lane
 6,789,365 B1 9/2004 Hohmann et al.
 6,802,675 B2 10/2004 Timmons et al.
 6,925,768 B2 8/2005 Hohmann et al.
 6,941,717 B2 9/2005 Hohmann et al.
 7,017,318 B1 3/2006 Hohmann et al.
 D530,796 S * 10/2006 Zielke et al. D23/262
 7,114,900 B2 10/2006 Toosky
 7,334,374 B2 2/2008 Schmid
 7,404,274 B2 7/2008 Hayes
 7,415,803 B2 * 8/2008 Bronner 52/378
 7,421,826 B2 9/2008 Collins et al.
 7,562,506 B2 7/2009 Hohmann, Jr.
 D603,251 S * 11/2009 King D8/387
 7,717,015 B2 * 5/2010 Nilsen et al. 81/176.2
 D625,977 S * 10/2010 Watson et al. D8/51
 7,845,137 B2 12/2010 Hohmann, Jr.
 D658,046 S * 4/2012 Austin, III D8/385
 D672,639 S * 12/2012 Pawluk D8/398
 8,555,596 B2 * 10/2013 Hohmann, Jr. 52/712
 2002/0100239 A1 8/2002 Lopez
 2005/0279043 A1 12/2005 Bronner
 2006/0198717 A1 9/2006 Fuest
 2008/0141605 A1 6/2008 Hohmann
 2009/0133357 A1 5/2009 Richards
 2010/0037552 A1 2/2010 Bronner
 2011/0047919 A1 3/2011 Hohmann, Jr.
 2011/0146195 A1 6/2011 Hohmann, Jr.
 2011/0173902 A1 7/2011 Hohmann, Jr. et al.
 2012/0291390 A1 11/2012 Hohmann, Jr.
 2012/0304576 A1 12/2012 Hohmann, Jr.

FOREIGN PATENT DOCUMENTS

DE 231696 6/1909
 DE 1960453 6/1970
 DE 2856205 A1 7/1980
 GB 2069024 8/1981

OTHER PUBLICATIONS

Building Envelope Requirements, 780 CMR sec. 1304.3 of Chapter 13; Boston, MA, Jan. 1, 2001.
 Wire Bond Corp, "Wire-Bond Sure Tie" and "Wire-Bond Clip". Product Catalog Sheet (Charlotte, NC, undated).
 Heckmann Building Products, Inc. Pos-I-Tie Air Infiltration and Water Penetration Test, Aug. 2003. [http:// www.heckmanbuildingprods.com/PPosTest.htm](http://www.heckmanbuildingprods.com/PPosTest.htm).
 Heckmann Building Products, Inc. "Wing Nut Pos-I-Tie." Product Catalogue Sheet. (Melrose Park, IL, undated).
www.heckmanbuildingprods.com, Heckman General Catalog for 2006, Oct. 28, 2006 pp. 4-5.

* cited by examiner

FIG. 1

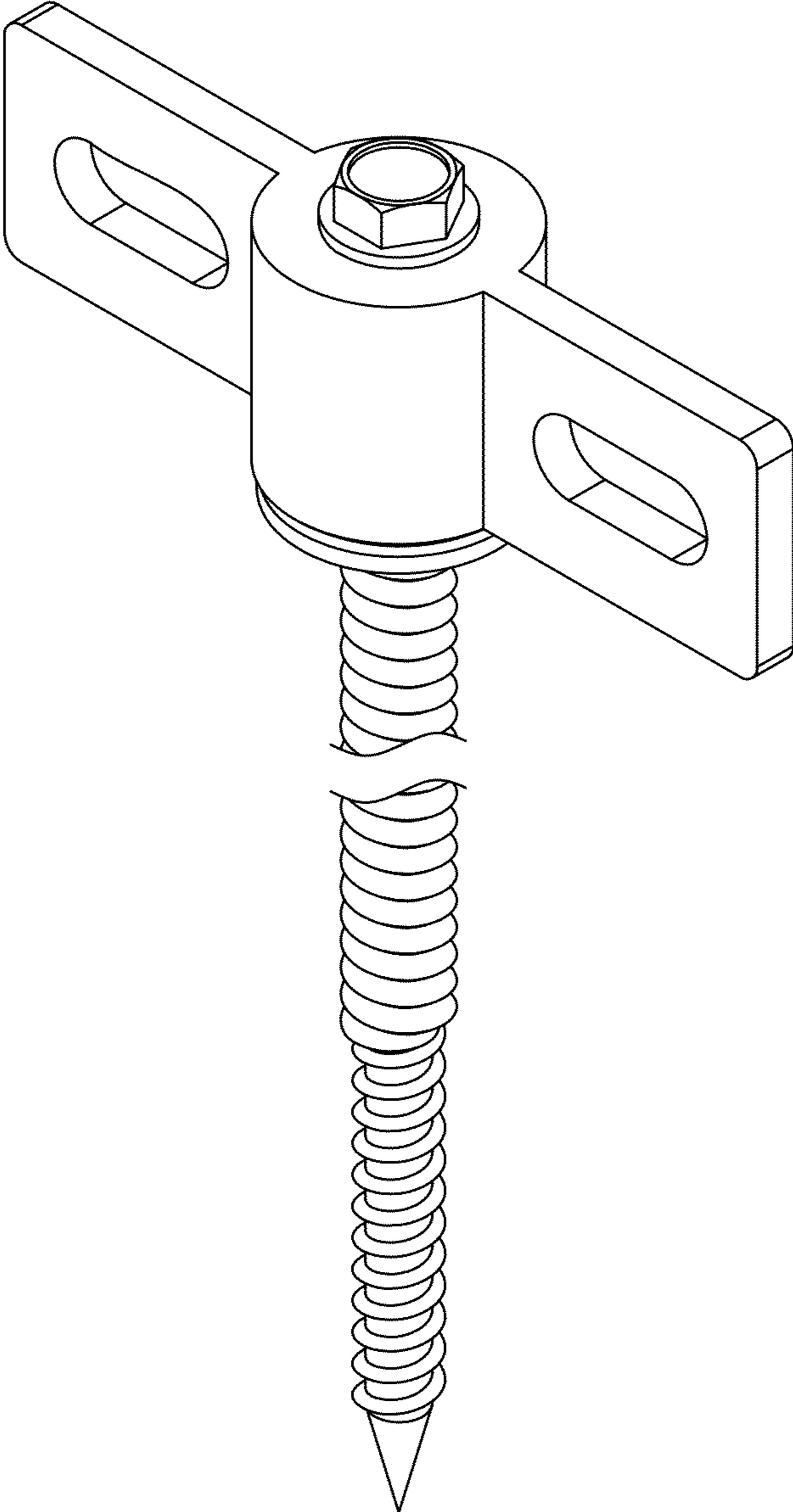


FIG. 2

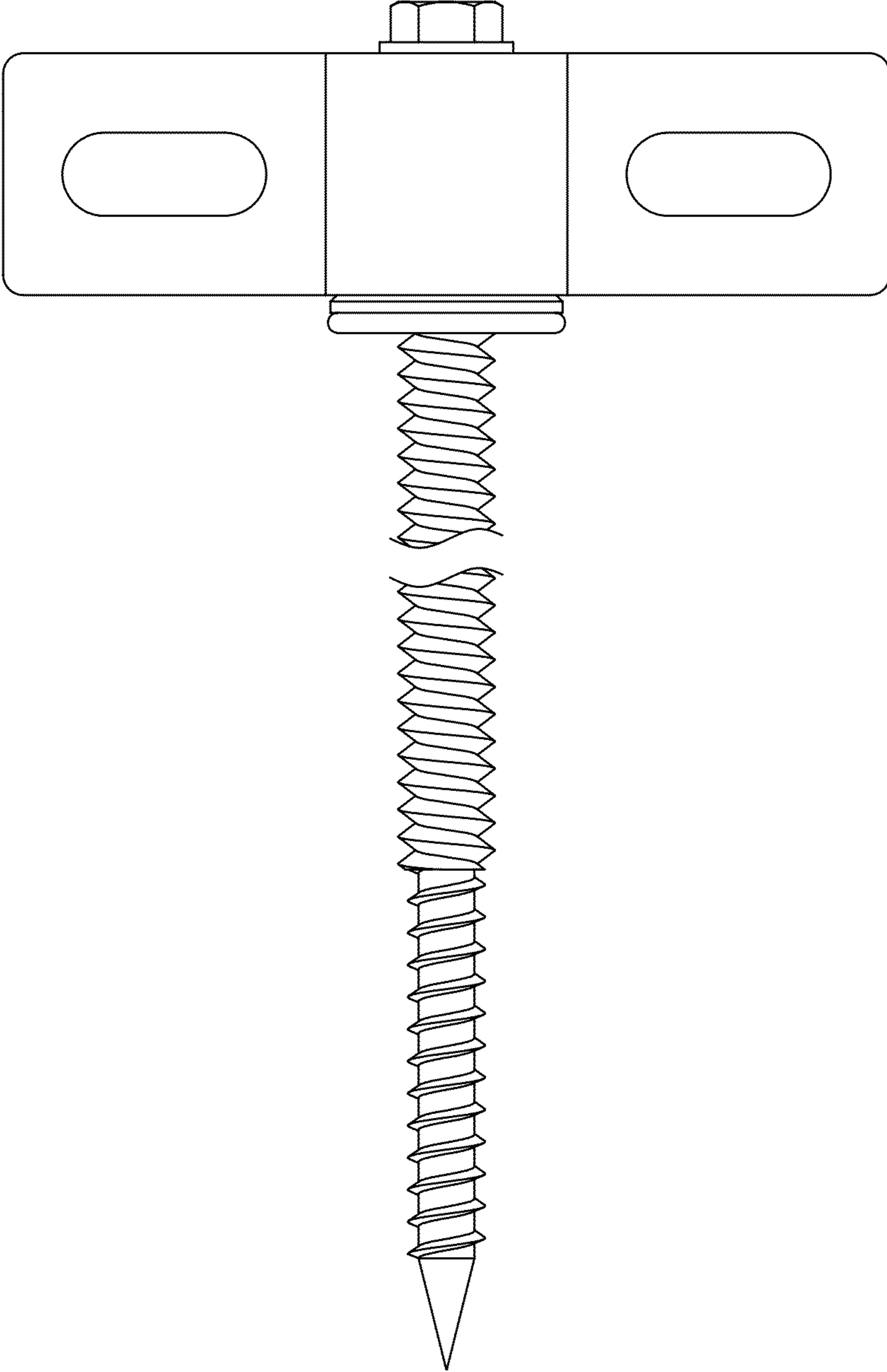


FIG. 3

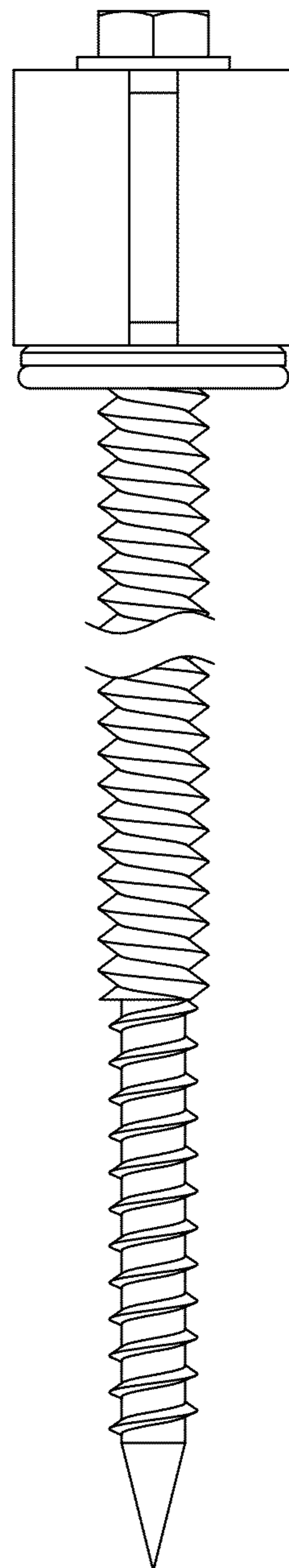


FIG. 4

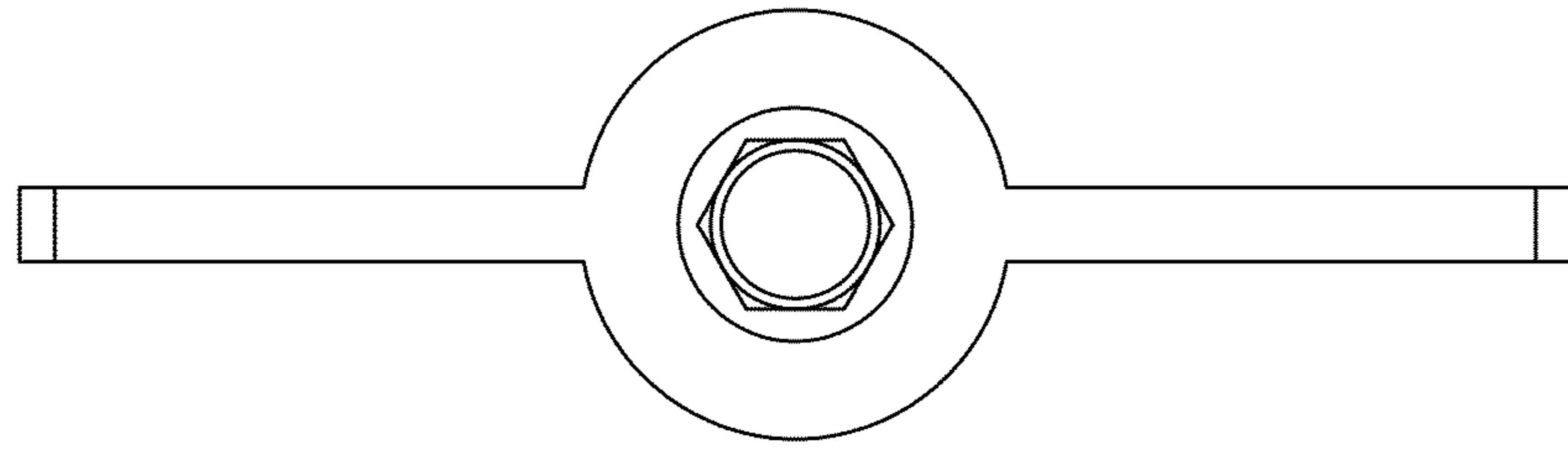


FIG. 5

