



US00D702543S

(12) **United States Design Patent**
Bell

(10) **Patent No.:** **US D702,543 S**

(45) **Date of Patent:** **** Apr. 15, 2014**

(54) **SWIVEL NUT**

(75) **Inventor:** **Paul James Bell**, Eads, TN (US)

(73) **Assignee:** **Mueller Industries, Inc.**, Memphis, TN (US)

(**) **Term:** **14 Years**

(21) **Appl. No.:** **29/432,122**

(22) **Filed:** **Sep. 13, 2012**

(51) **LOC (10) Cl.** **08-08**

(52) **U.S. Cl.**

USPC **D8/397**

(58) **Field of Classification Search**

USPC D8/397, 394, 382, 399, 356, 354, 349;
D15/140; 16/2.1; 220/575; 206/521.15;
24/302, 16 R, 306; 439/501, 578;
381/374; D14/217, 205; 411/302, 427,
411/429, 432, 918, 179, 180; D13/151, 133

See application file for complete search history.

(56) **References Cited**

U.S. PATENT DOCUMENTS

D23,917 S *	12/1894	Lane et al.	D8/397
D25,709 S *	6/1896	Pratt	D23/262
1,029,775 A *	6/1912	Tobin	411/191
D43,713 S	3/1913	Campbell		
D44,178 S	6/1913	McMurtrie		
1,330,594 A	2/1920	Kraft		
D57,407 S *	3/1921	Walker	D23/269
D128,314 S	7/1941	Kelly		
D134,789 S *	1/1943	Gade	D8/397
2,552,794 A *	5/1951	Kimbell	411/427
2,727,551 A *	12/1955	Rees	411/303
D198,713 S *	7/1964	Curtiss	D8/397
D200,088 S	1/1965	Earnshaw		
D218,674 S *	9/1970	Ernest	D8/387
D220,027 S *	3/1971	Myers	D8/397

D223,187 S *	3/1972	Wing	D8/397
D224,303 S *	7/1972	Bergkvist	D23/262
3,702,628 A *	11/1972	Cosenza	411/280
D233,138 S	10/1974	Vogel		
D233,652 S *	11/1974	Wing	D8/397
4,019,550 A *	4/1977	DeHaitre	411/303
D244,908 S *	7/1977	Hatter et al.	D8/397
D244,909 S *	7/1977	Gill	D8/397
D252,208 S *	6/1979	Ooya	D16/219
D254,802 S	4/1980	Hayes		
D258,379 S	2/1981	Joseph		
D262,940 S	2/1982	Spinner		
D263,163 S	2/1982	Olde		

(Continued)

OTHER PUBLICATIONS

Watts "Series CTC-P Flexible Reinforced PVC Water Supply Connectors for Toilets"; Specifications, 2005 (2 pages).

Primary Examiner — Cynthia Underwood

(74) *Attorney, Agent, or Firm* — Harness, Dickey & Pierce, P.L.C.

(57) **CLAIM**

The ornamental design for a swivel nut, as shown and described.

DESCRIPTION

FIG. 1 is a first perspective view of the design for a swivel nut of the present invention;

FIG. 2 is a second perspective view of the design of the swivel nut of FIG. 1;

FIG. 3 is a first side view of the swivel nut of FIG. 1;

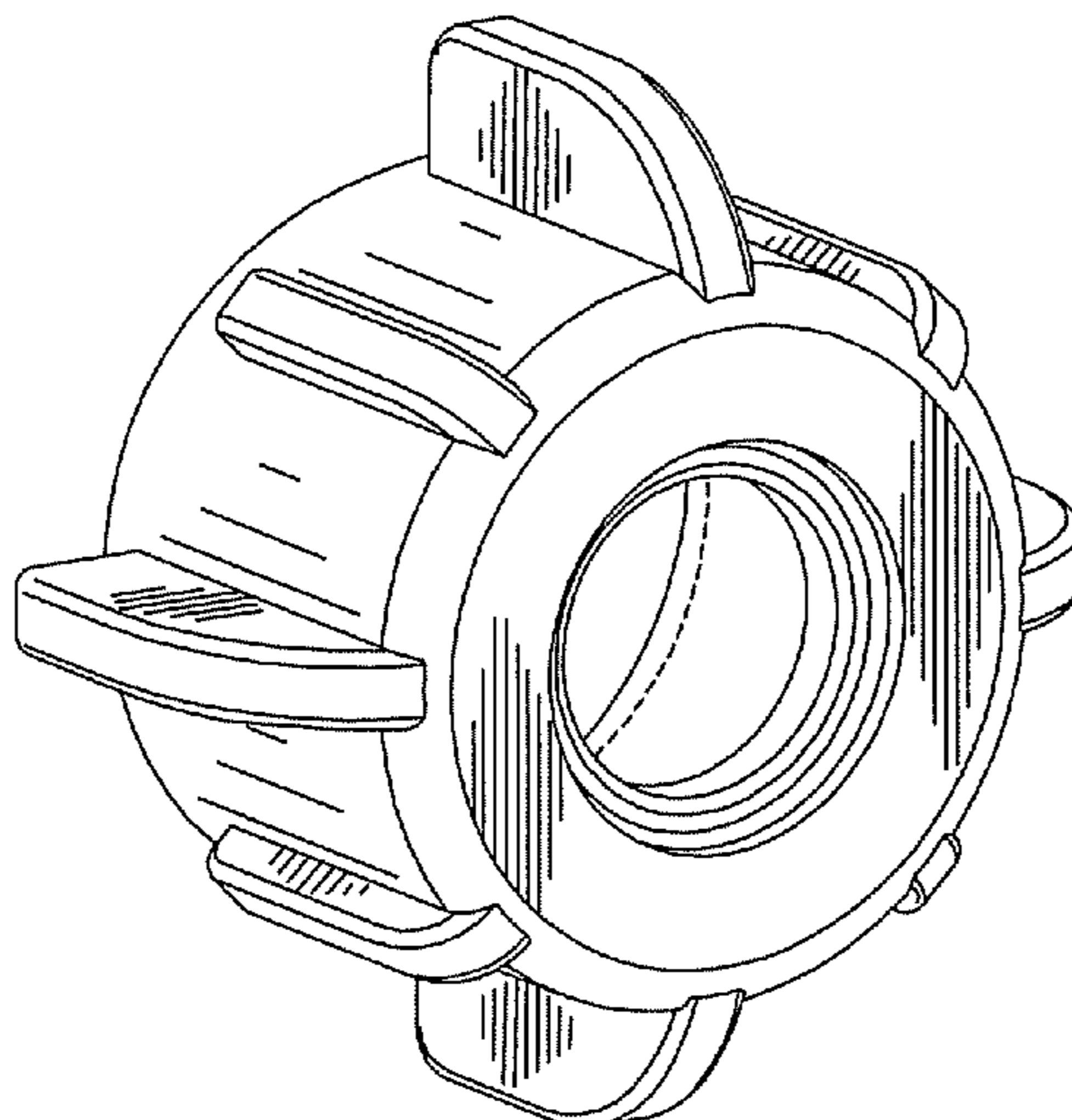
FIG. 4 is a second side view of the swivel nut of FIG. 1;

FIG. 5 is a bottom view of the swivel nut of FIG. 1; and,

FIG. 6 is a top view of the swivel nut of FIG. 1.

The broken lines are included for illustrative purposes only and form no part of the claimed design.

1 Claim, 3 Drawing Sheets



(56)

References Cited

U.S. PATENT DOCUMENTS

D268,514 S	4/1983	Thompson	
D273,561 S *	4/1984	Ozaki et al.	D8/397
D277,454 S	2/1985	Meinhardt	
D281,953 S *	12/1985	Newman	D8/397
D296,579 S	7/1988	Hattori	
D308,982 S	7/1990	Moore	
D311,131 S *	10/1990	Saito	D8/397
D320,841 S	10/1991	Breadmont	
D365,009 S	12/1995	Lenberg	
D390,923 S	2/1998	Stevens	
D393,589 S	4/1998	Berti	
D397,320 S	8/1998	Hoagland, IV	
D420,107 S	2/2000	Kinder	
D424,073 S	5/2000	Sodergard	
6,071,052 A *	6/2000	Kerr	411/302
D434,476 S	11/2000	Meda	
D435,652 S	12/2000	Nazarifar et al.	
6,253,942 B1	7/2001	Elias	
D446,111 S *	8/2001	Hussaini	D8/397
D459,207 S *	6/2002	Miyata	D8/397
D479,585 S	9/2003	Mulligan et al.	
D494,056 S	8/2004	Clendenning	
D515,886 S	2/2006	McAnally	
D519,076 S *	4/2006	Fox	D13/133
D520,351 S *	5/2006	Alkalay et al.	D8/382
7,063,565 B2 *	6/2006	Ward	439/578
D532,684 S *	11/2006	Barnes	D8/397
D535,259 S *	1/2007	Rodrigues et al.	D13/151
D539,129 S *	3/2007	Griffiths	D8/382
D551,958 S	10/2007	Chen et al.	
D551,972 S *	10/2007	Jacobs et al.	D9/445
D558,306 S	12/2007	McCluskey et al.	
7,341,286 B2 *	3/2008	Andre	285/319
D568,149 S	5/2008	Riedel	
D568,348 S	5/2008	Tsui	
D568,969 S	5/2008	Bucchi	
D581,777 S *	12/2008	Huang	D8/397
D582,763 S	12/2008	Riedel et al.	
D594,096 S *	6/2009	Bucchi	D23/262
D594,937 S	6/2009	Price et al.	
D600,094 S *	9/2009	Hwang et al.	D8/312
D600,108 S *	9/2009	Swan	D8/397
D600,546 S *	9/2009	Scilingo et al.	D8/397
D601,507 S *	10/2009	Rodrigues	D13/151
D606,633 S	12/2009	Price	
D644,673 S *	9/2011	Drenth et al.	D15/138
8,210,783 B2 *	7/2012	Morrison	411/9
D669,558 S *	10/2012	Collin et al.	D23/262
D679,988 S *	4/2013	Yamazaki	D8/397
2003/0039527 A1 *	2/2003	Schatz	411/9
2005/0136735 A1 *	6/2005	Rodrigues et al.	439/578
2012/0117784 A1 *	5/2012	Collin et al.	29/525.02

* cited by examiner

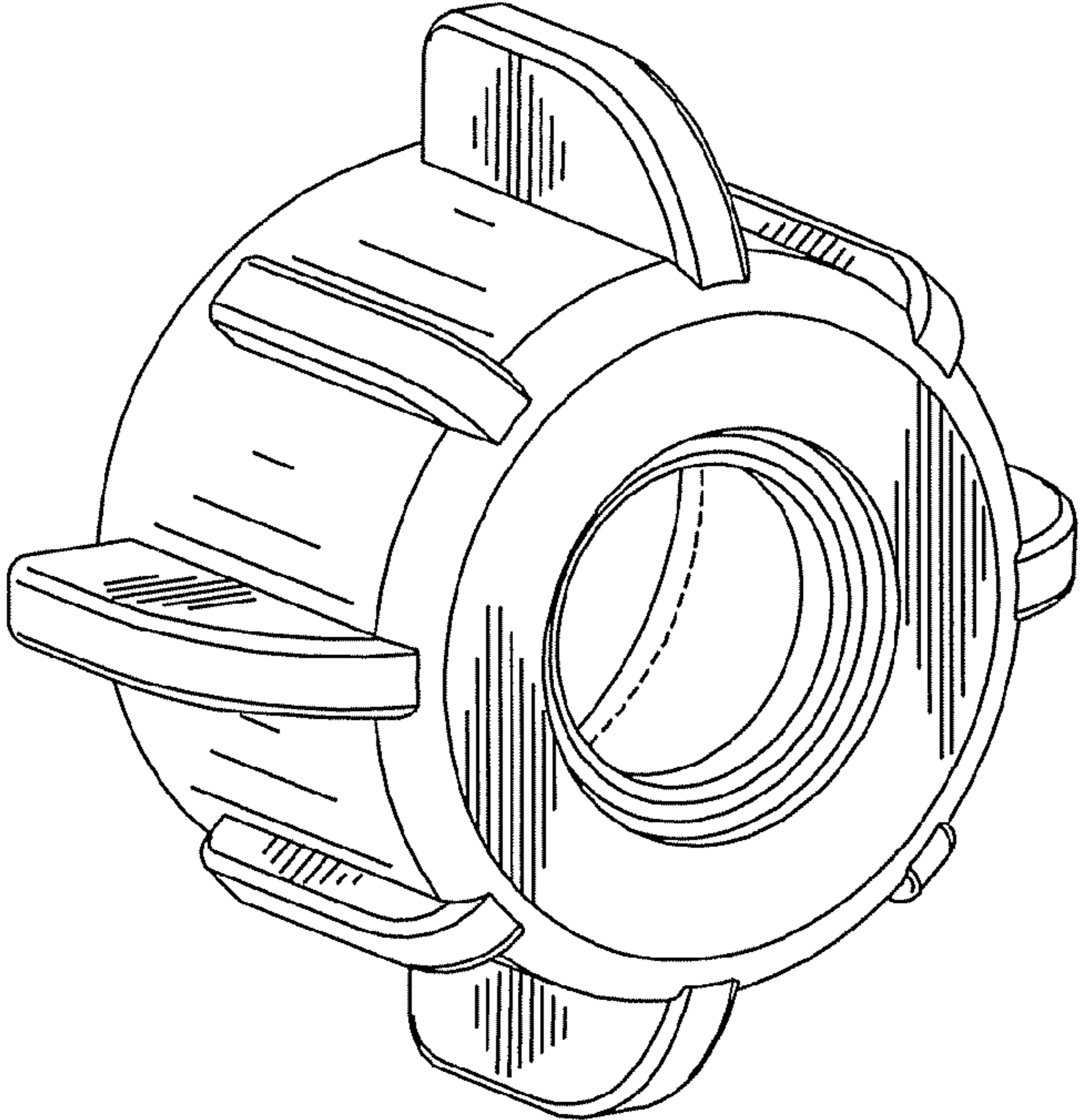


FIG 1

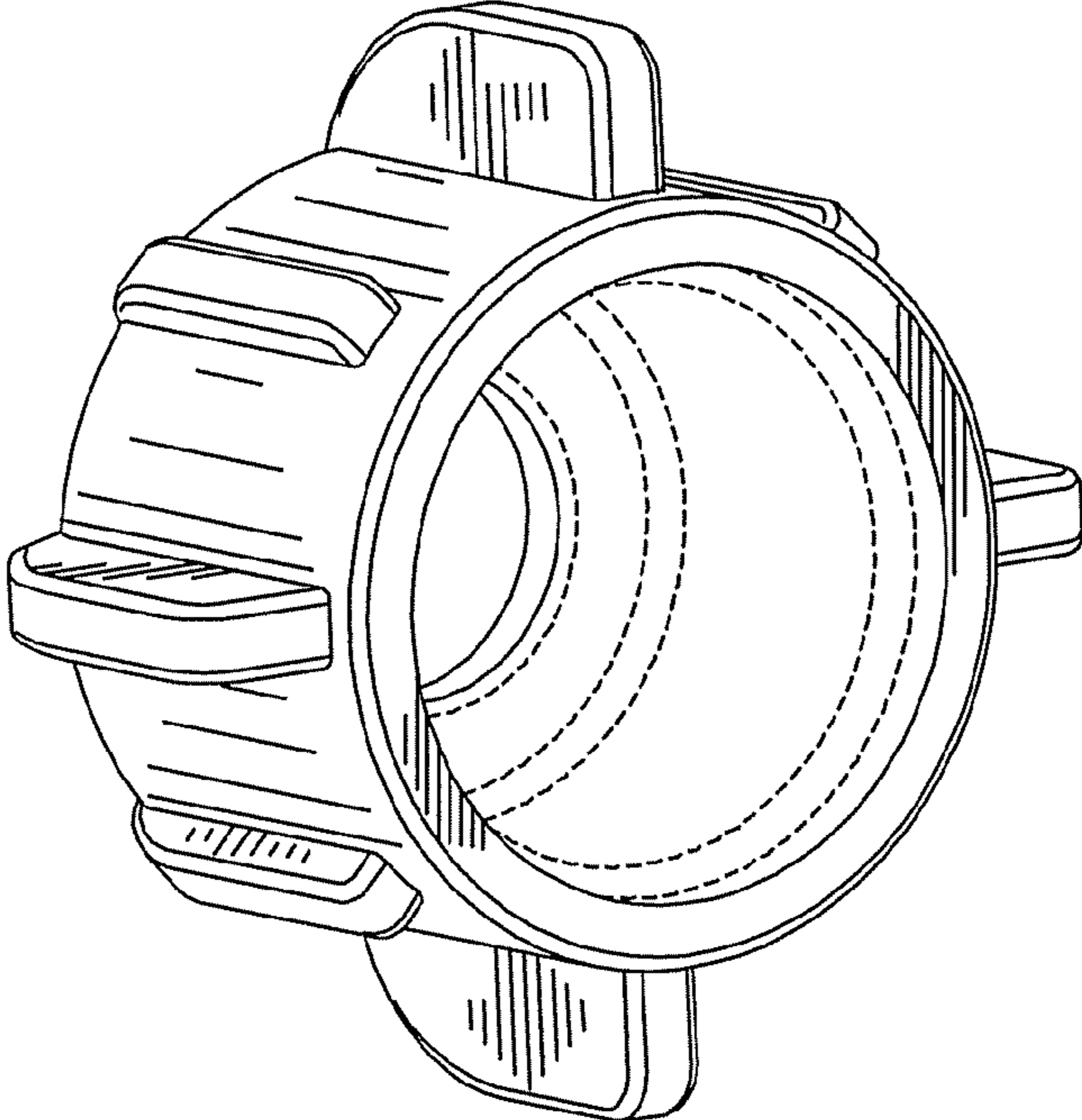


FIG 2

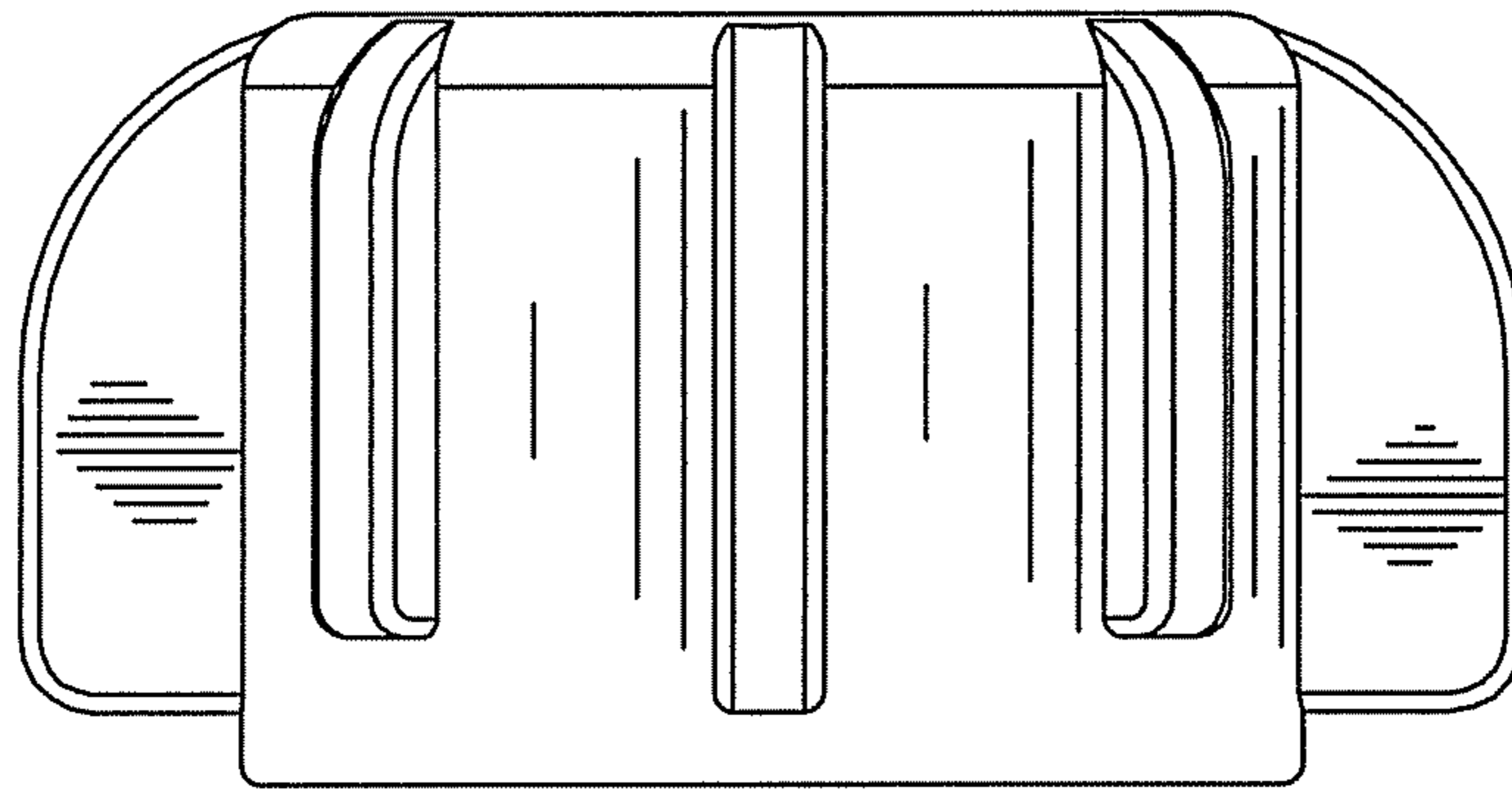


FIG 3

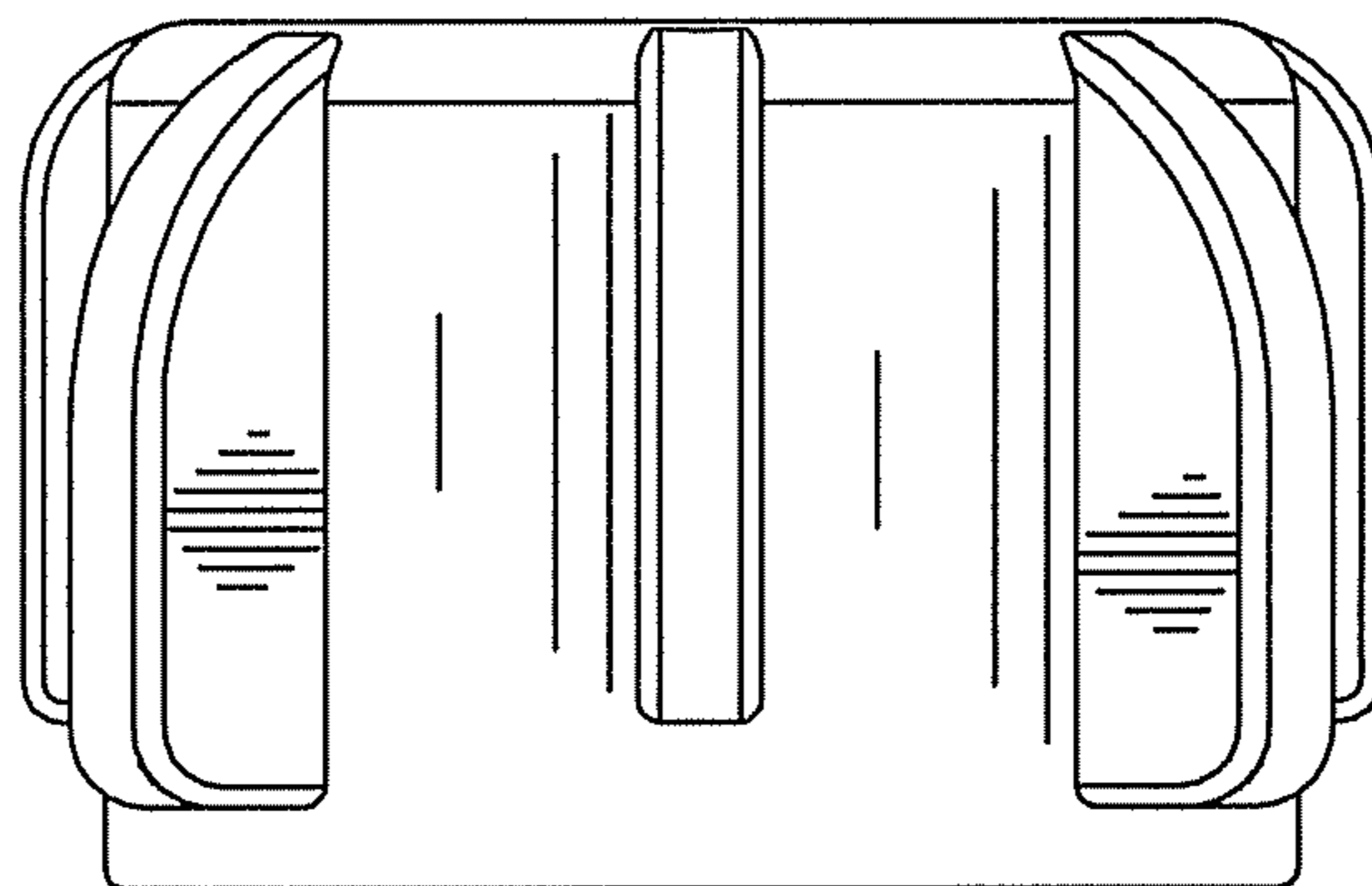


FIG 4

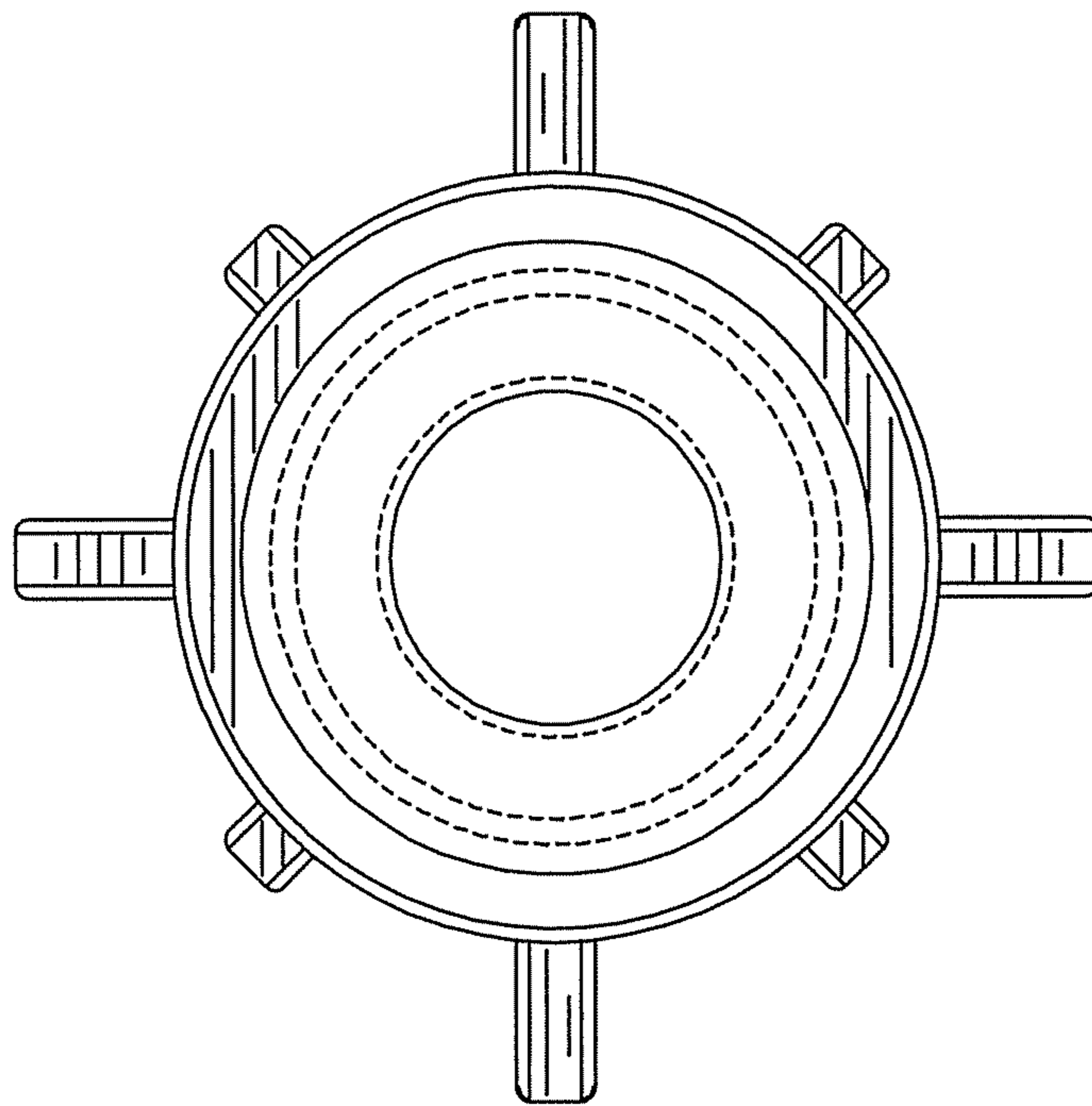


FIG 5

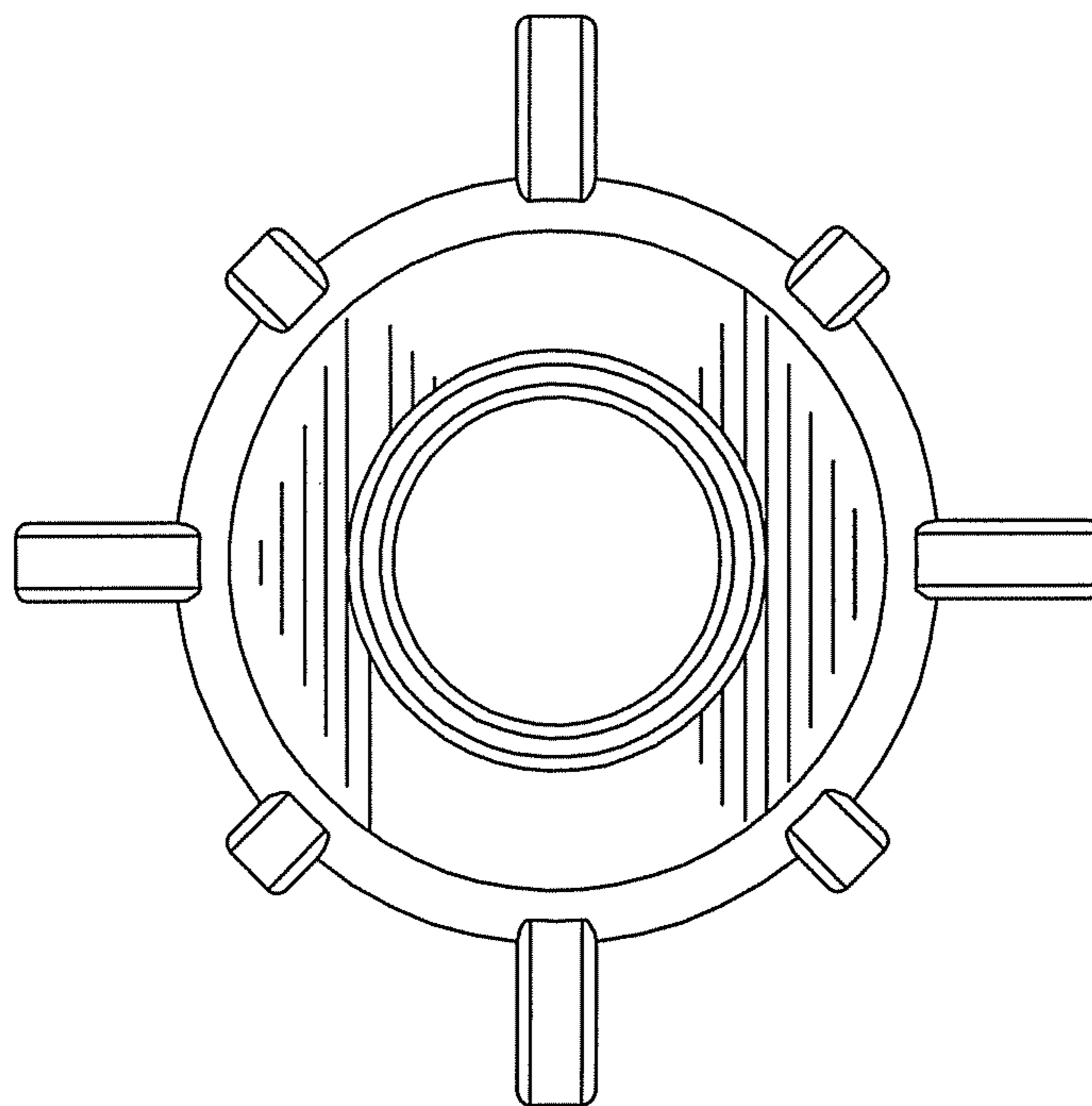


FIG 6