



US00D702542S

(12) **United States Design Patent**
Smith

(10) **Patent No.:** **US D702,542 S**
(45) **Date of Patent:** **** Apr. 15, 2014**

- (54) **CONDUIT COUPLING**
- (71) Applicant: **Bridgeport Fittings, Inc.**, Stratford, CT (US)
- (72) Inventor: **Lawrence J. Smith**, Stamford, CT (US)
- (73) Assignee: **Bridgeport Fittings, Inc.**, Stratford, CT (US)
- (**) Term: **14 Years**
- (21) Appl. No.: **29/444,731**
- (22) Filed: **Feb. 2, 2013**

Related U.S. Application Data

- (63) Continuation of application No. 12/900,848, filed on Oct. 8, 2010, now abandoned.
- (51) **LOC (10) Cl.** **08-08**
- (52) **U.S. Cl.**
USPC **D8/396**
- (58) **Field of Classification Search**
USPC D8/394-396, 356, 383; 24/16 PB, 24/17 AP, 30.5 P, 30.5 S, 300-302, 339, 24/DIG. 16; 248/58, 60, 74.3; D13/155, D13/149; D23/262, 265
See application file for complete search history.

References Cited

U.S. PATENT DOCUMENTS

58,850	A *	10/1866	Loring	285/148.13
731,538	A	6/1903	Bradley	285/302
839,947	A	1/1907	McCluskey	285/148.13
936,566	A *	10/1909	Rosendahl	285/331
1,647,802	A	11/1927	Josef	403/305
1,831,856	A	11/1931	Fullman	285/404
1,859,259	A	5/1932	Chamberlain	285/133.4
1,953,006	A	3/1934	Norris	285/114
2,455,180	A *	11/1948	Kennedy	285/404

2,643,138	A *	6/1953	Jacobs et al.	285/5
D171,627	S *	3/1954	Weber	D13/133
D188,025	S *	5/1960	Curtiss	D23/265
D188,026	S *	5/1960	Curtiss	D23/265
3,064,983	A *	11/1962	Halterman	277/604
D209,168	S *	11/1967	Hunt	D23/262
3,703,303	A	11/1972	Eidelberg	285/382.7
3,829,136	A	8/1974	Eidelberg	285/383
4,363,505	A	12/1982	Smith	285/369
4,397,485	A	8/1983	Wood	285/111
4,641,863	A	2/1987	Shemtov	285/154.4
D312,498	S *	11/1990	Ebert	D23/265
5,560,655	A *	10/1996	Cameron	285/39
6,262,369	B1 *	7/2001	Marik et al.	174/64
6,796,585	B1	9/2004	Geldner	285/226
6,849,803	B1 *	2/2005	Gretz	174/665
6,872,886	B2 *	3/2005	Kiely	174/656
7,494,157	B1 *	2/2009	Kiely	285/139.1
7,563,100	B1 *	7/2009	Smith	439/33
7,604,461	B2	10/2009	Kiely	285/248

(Continued)

Primary Examiner — John Windmuller

(74) *Attorney, Agent, or Firm* — Fattibene and Fattibene LLC; Paul A. Fattibene

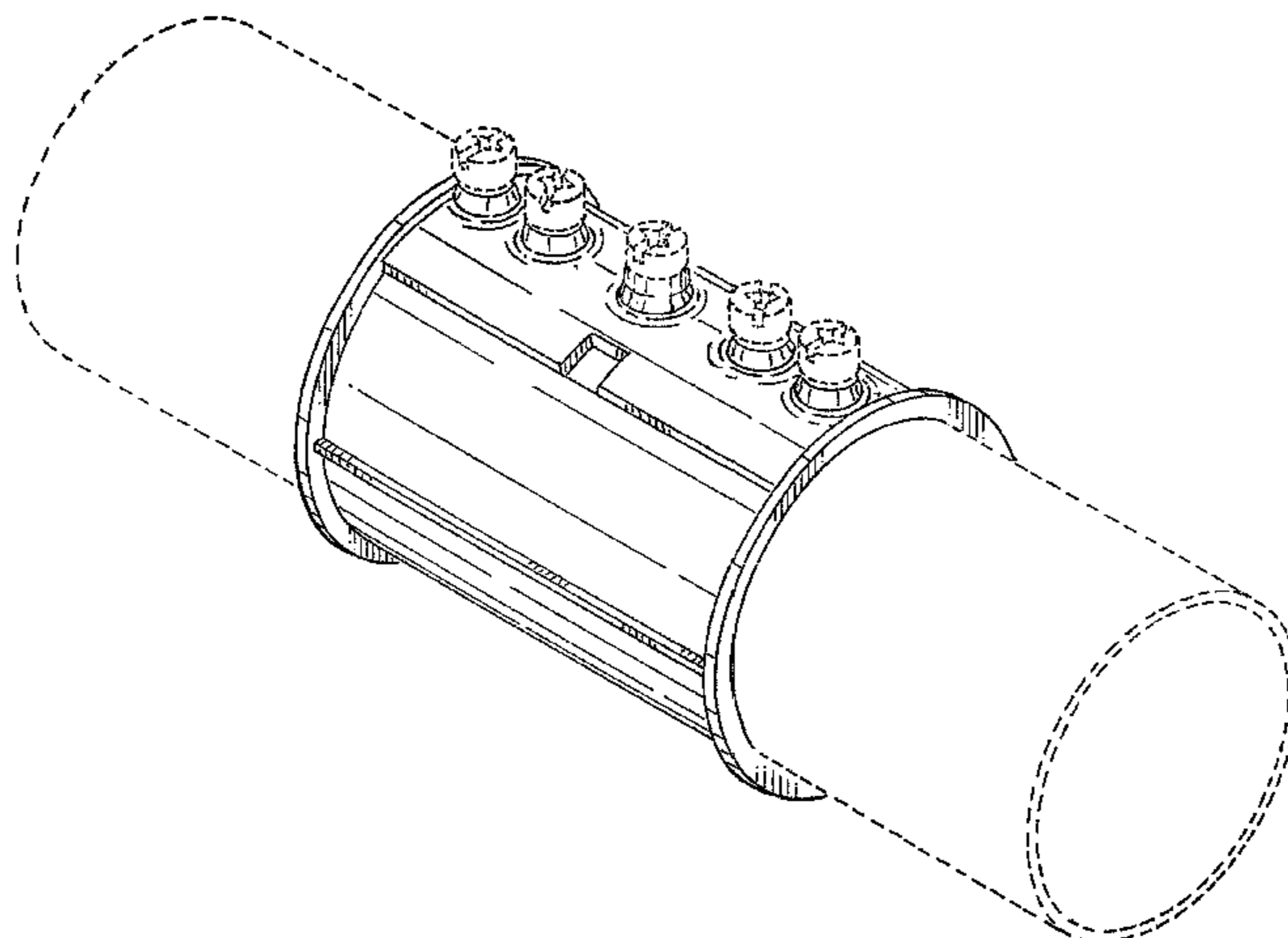
(57) **CLAIM**

The ornamental design for a conduit coupling, as shown and described.

DESCRIPTION

FIG. 1 is a perspective view of a conduit coupling showing the new design;
 FIG. 2 is a front elevation view thereof;
 FIG. 3 is a rear elevation view thereof;
 FIG. 4 is a top plan view thereof;
 FIG. 5 is a bottom plan view thereof; and,
 FIG. 6 is a right side elevation view thereof, with the left side elevation view being a mirror image.
 The broken lines shown are for illustrative purposes only and form no part of the claimed design.

1 Claim, 3 Drawing Sheets



(56)

References Cited

U.S. PATENT DOCUMENTS

7,820,922 B2 * 10/2010 Auray et al. 174/650
D668,618 S * 10/2012 Smith D13/149
D681,159 S * 4/2013 Ben-Horin et al. D23/209
D689,026 S * 9/2013 Smith D13/155

D691,246 S * 10/2013 Ward D23/262
D691,963 S * 10/2013 Smith D13/155
2006/0151995 A1 7/2006 Saarem et al. 285/93
2011/0073366 A1 * 3/2011 Jaffari 174/84 R
2012/0086196 A1 * 4/2012 Smith 285/31
2013/0233435 A1 * 9/2013 Henthorn et al. 138/155

* cited by examiner

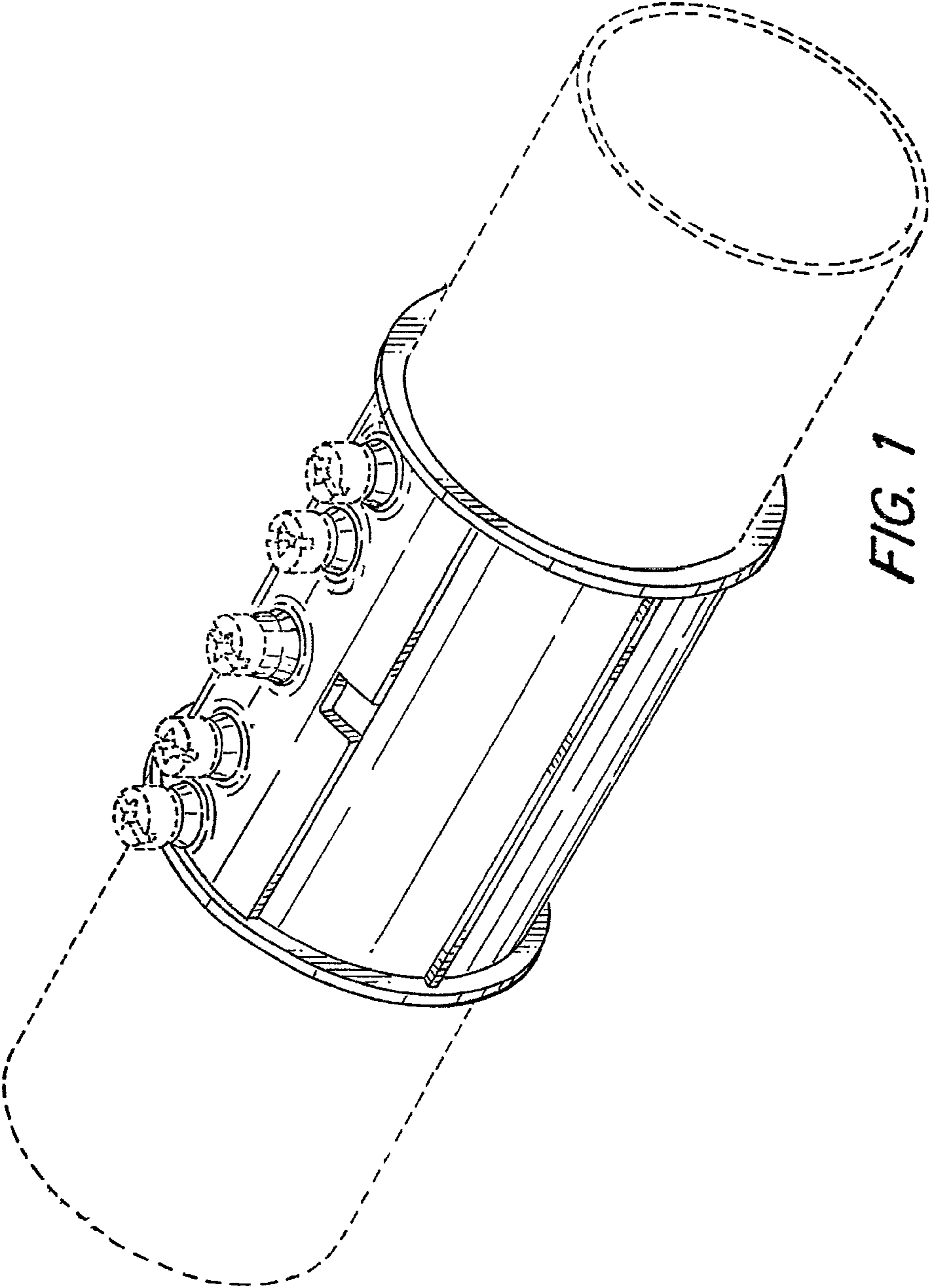


FIG. 1

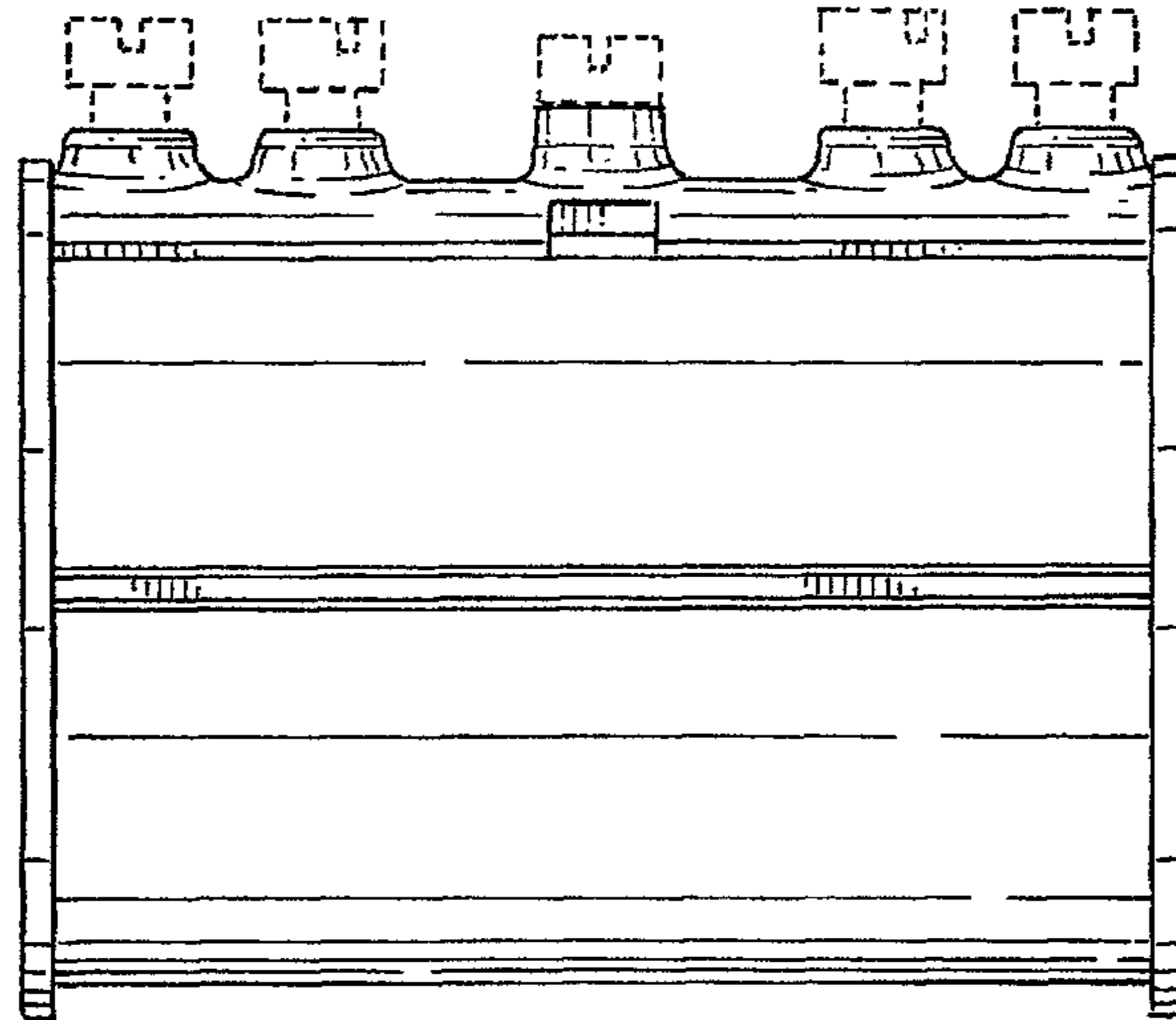


FIG. 2

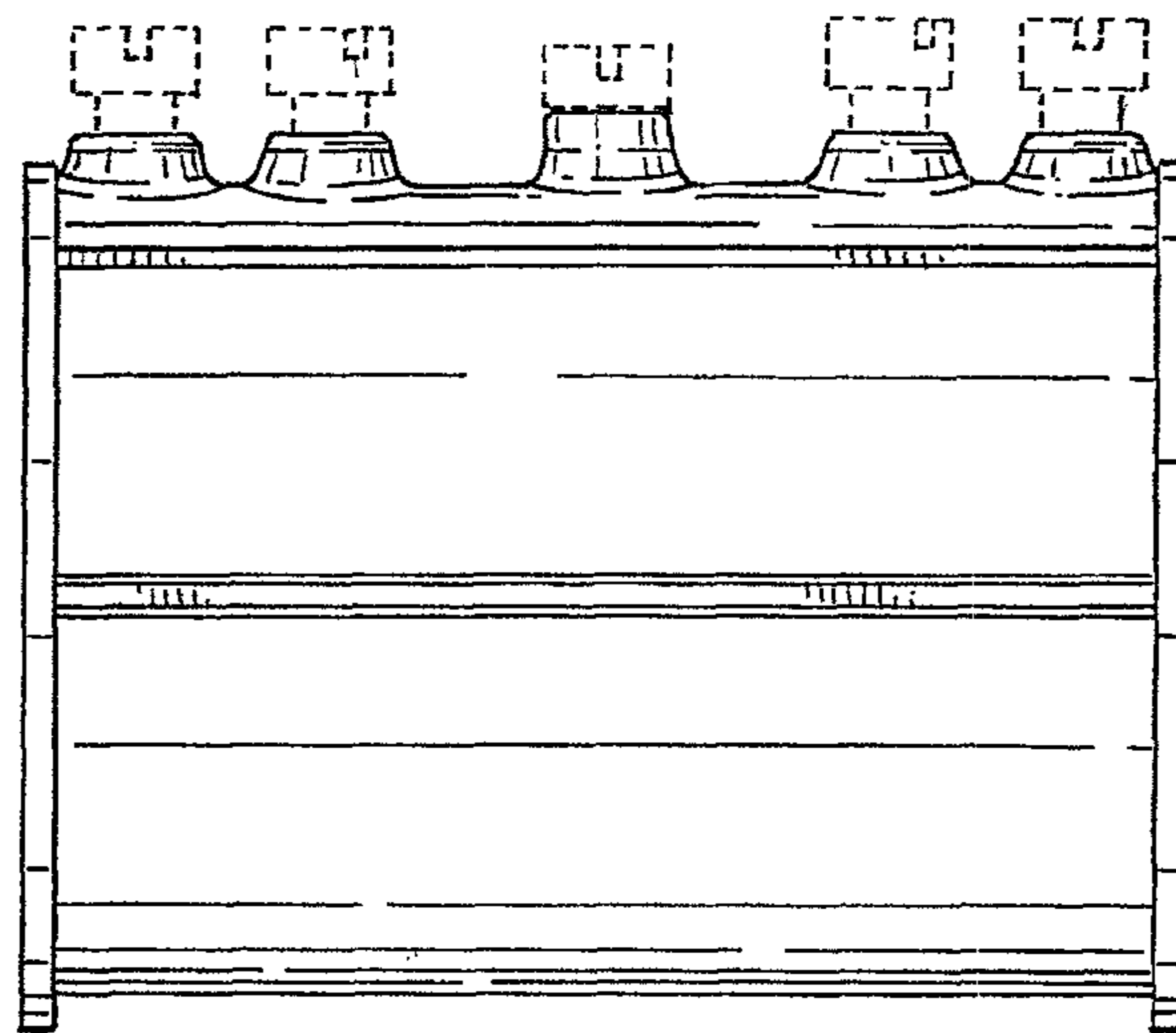


FIG. 3

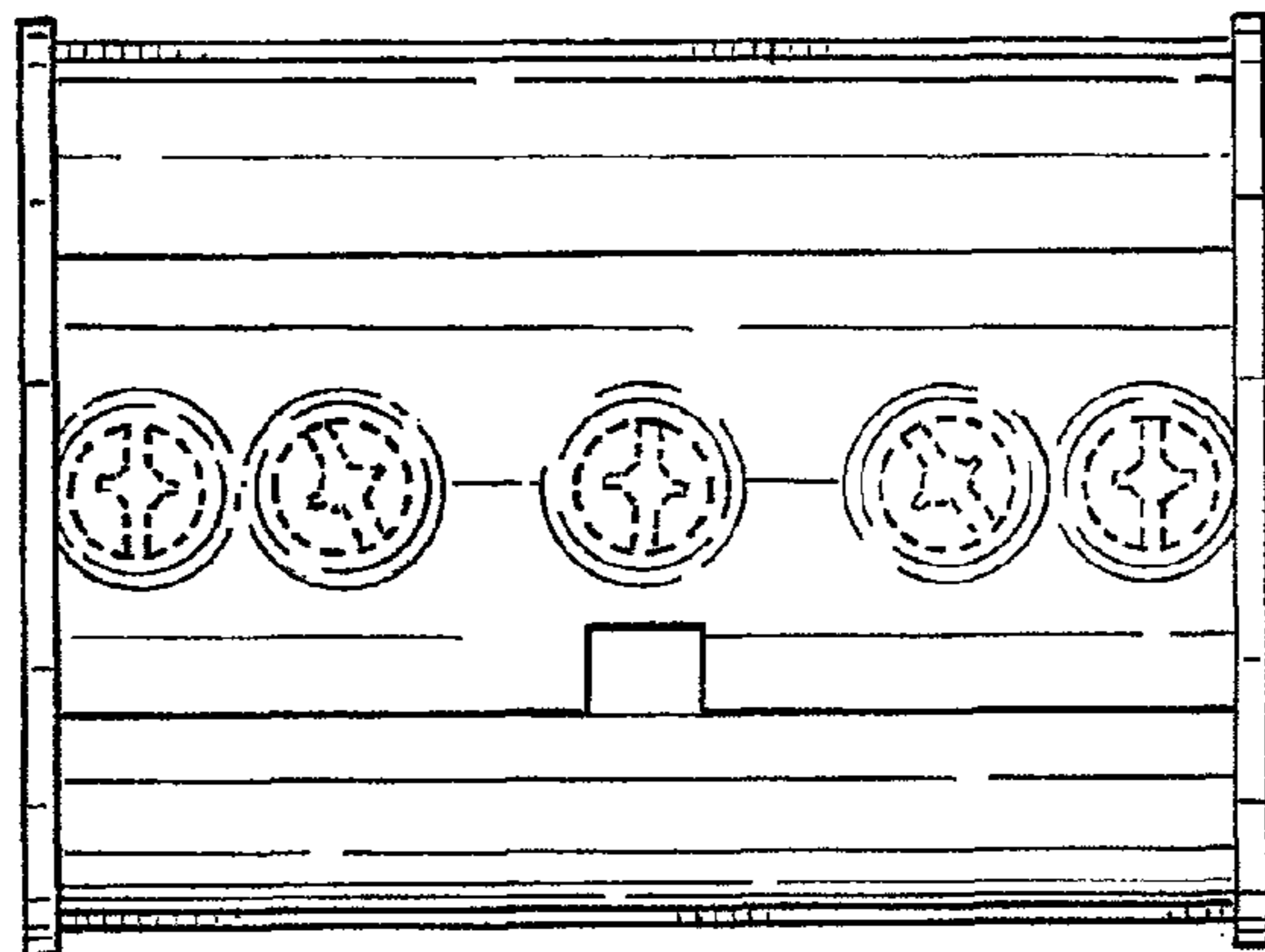


FIG. 4

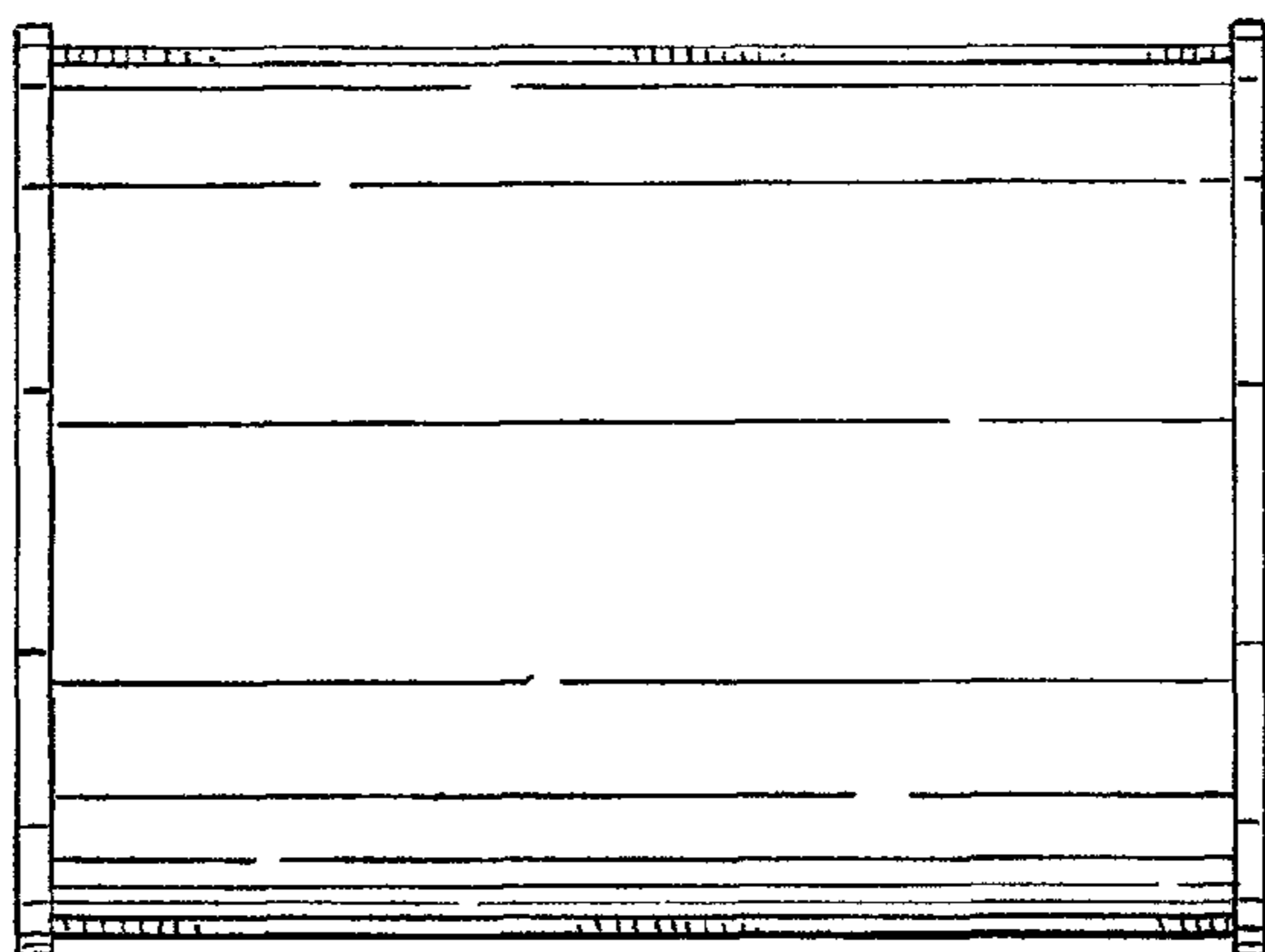


FIG. 5

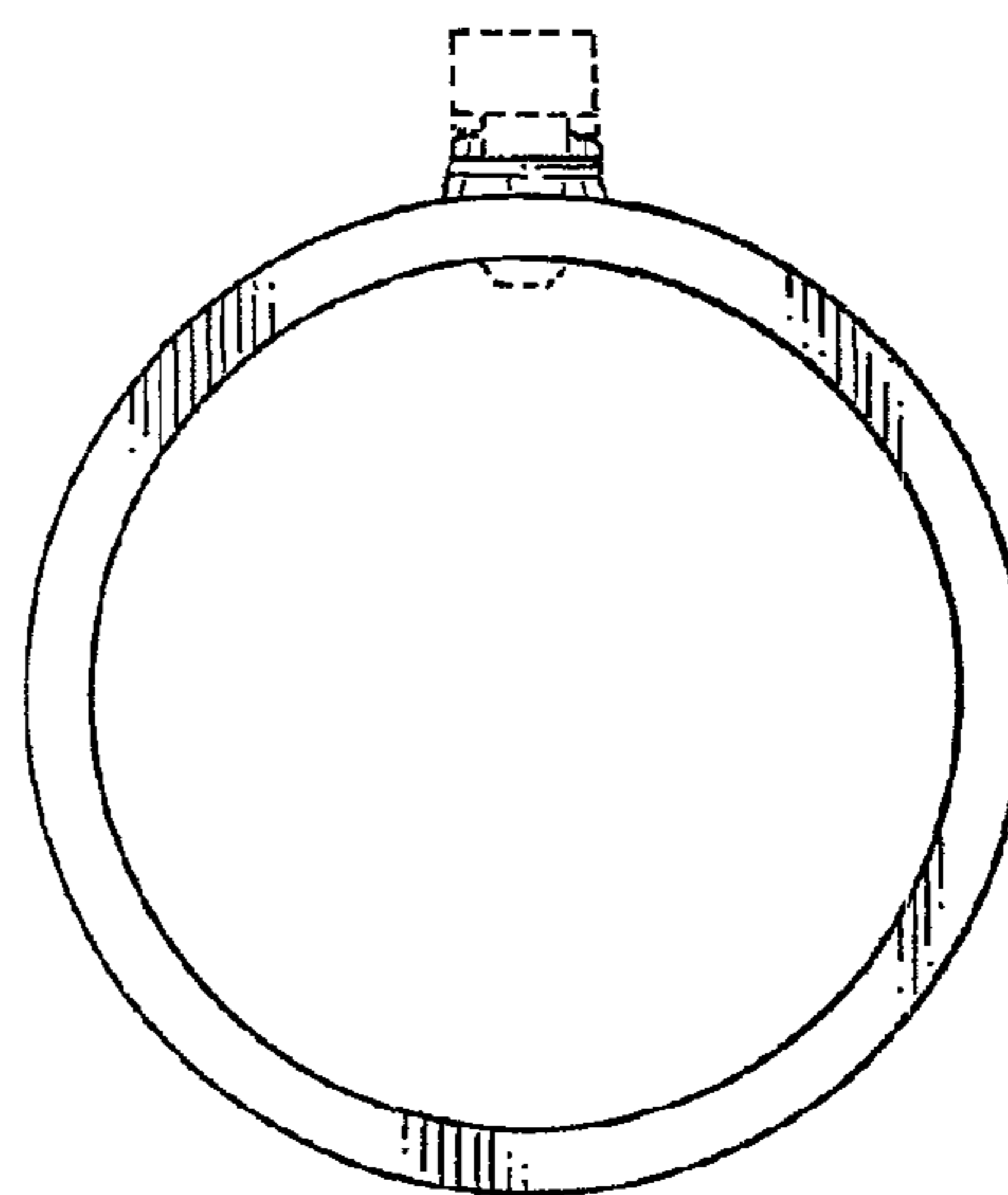


FIG. 6