



US00D702541S

(12) **United States Design Patent**
Mansor

(10) **Patent No.:** **US D702,541 S**

(45) **Date of Patent:** **** Apr. 15, 2014**

(54) **COMBINED WALL SHELVING UNIT WALL BRACKET AND SHELF SUPPORT WITH BICYCLE ATTACHMENT**

(76) Inventor: **Todd Mansor**, Phoenix, AZ (US)

(**) Term: **14 Years**

(21) Appl. No.: **29/427,297**

(22) Filed: **Jul. 16, 2012**

(51) **LOC (10) Cl.** **08-05**

(52) **U.S. Cl.**
USPC **D8/381**

(58) **Field of Classification Search**

CPC E04G 3/20; A47B 96/06; A47B 57/42;
A47B 96/061; A47B 47/022; A47B 96/021;
A47B 96/067; A47B 96/07; E04B 9/18;
E04B 9/06; E04B 2002/8688; E04B 1/24;
E04B 2001/405; A63B 21/02; A63B 26/00
USPC D8/381, 380, 354, 349, 366, 353, 363,
D8/356, 373, 376, 377, 71, 106, 355;
248/200, 243, 247, 251, 237, 235, 248,
248/249, 250, 300, 544, 588, 242, 314, 267,
248/265, 207; D25/164, 119, 131, 126,
D25/121; 108/152, 108; 174/68.1, 73.1, 57,
174/48, 135; 52/687, 686, 506.07, 506.06,
52/426; D6/572, 574, 555; D34/16;
482/16, 32

See application file for complete search history.

(56) **References Cited**

U.S. PATENT DOCUMENTS

2,933,196	A *	4/1960	Childs	211/183
D311,130	S *	10/1990	Whitaker	D8/381
6,663,201	B2 *	12/2003	Herron et al.	312/245
D527,559	S *	9/2006	Remmers	D6/511
D548,066	S *	8/2007	Welch	D8/381
D582,622	S *	12/2008	Schneider et al.	D34/16
D668,945	S *	10/2012	Fernandez	D8/377
8,434,629	B2 *	5/2013	Fernandez	211/94.01
2007/0119805	A1 *	5/2007	Nawrocki	211/119
2010/0155352	A1 *	6/2010	Hsieh	211/134

* cited by examiner

Primary Examiner — Robert M Spear

Assistant Examiner — Eliza Bennett-Hattan

(74) *Attorney, Agent, or Firm* — Ronald C. Gorsché

(57) **CLAIM**

The ornamental design for a combined wall shelving unit wall bracket and shelf support with bicycle attachment, as shown and described.

DESCRIPTION

FIG. 1 is a top perspective view of a combined wall shelving unit wall bracket and shelf support with bicycle attachment showing my new ornamental design;

FIG. 2 is a bottom perspective view of the combined wall shelving unit wall bracket and shelf support with bicycle attachment shown in FIG. 1;

FIG. 3 is another top perspective view of the combined wall shelving unit wall bracket and shelf support with bicycle attachment shown in FIG. 1, shown with a bicycle attached;

FIG. 4 is a top view of the combined wall shelving unit wall bracket and shelf support with bicycle attachment shown in FIG. 1;

FIG. 5 is a bottom view of the combined wall shelving unit wall bracket and shelf support with bicycle attachment shown in FIG. 1;

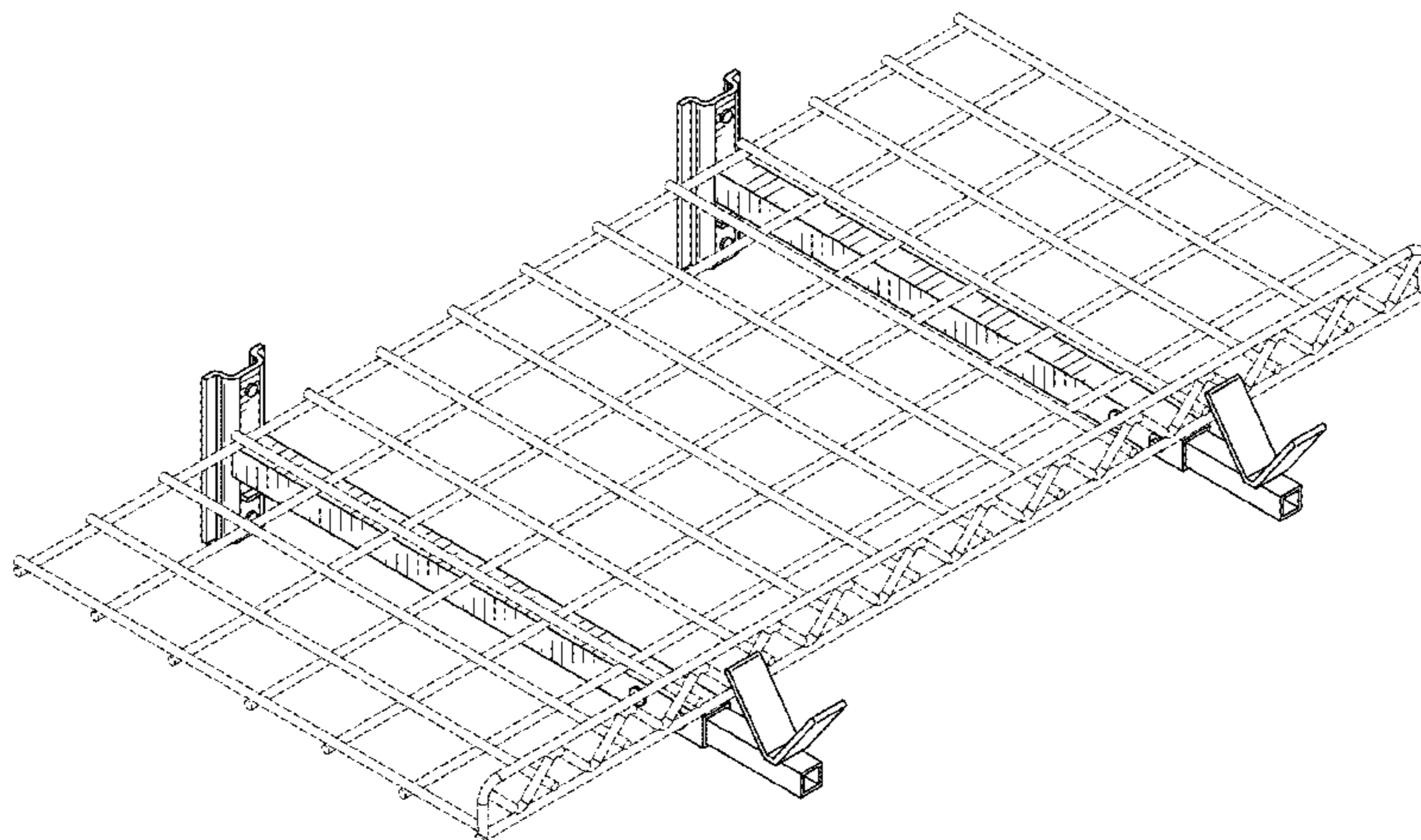
FIG. 6 is a side view of the combined wall shelving unit wall bracket and shelf support with bicycle attachment shown in FIG. 1;

FIG. 7 is a front view of the combined wall shelving unit wall bracket and shelf support with bicycle attachment shown in FIG. 1; and,

FIG. 8 is a rear view of the combined wall shelving unit wall bracket and shelf support with bicycle attachment shown in FIG. 1.

The broken lines in the drawing depict environmental subject matter only and form no part of the claimed design.

1 Claim, 6 Drawing Sheets



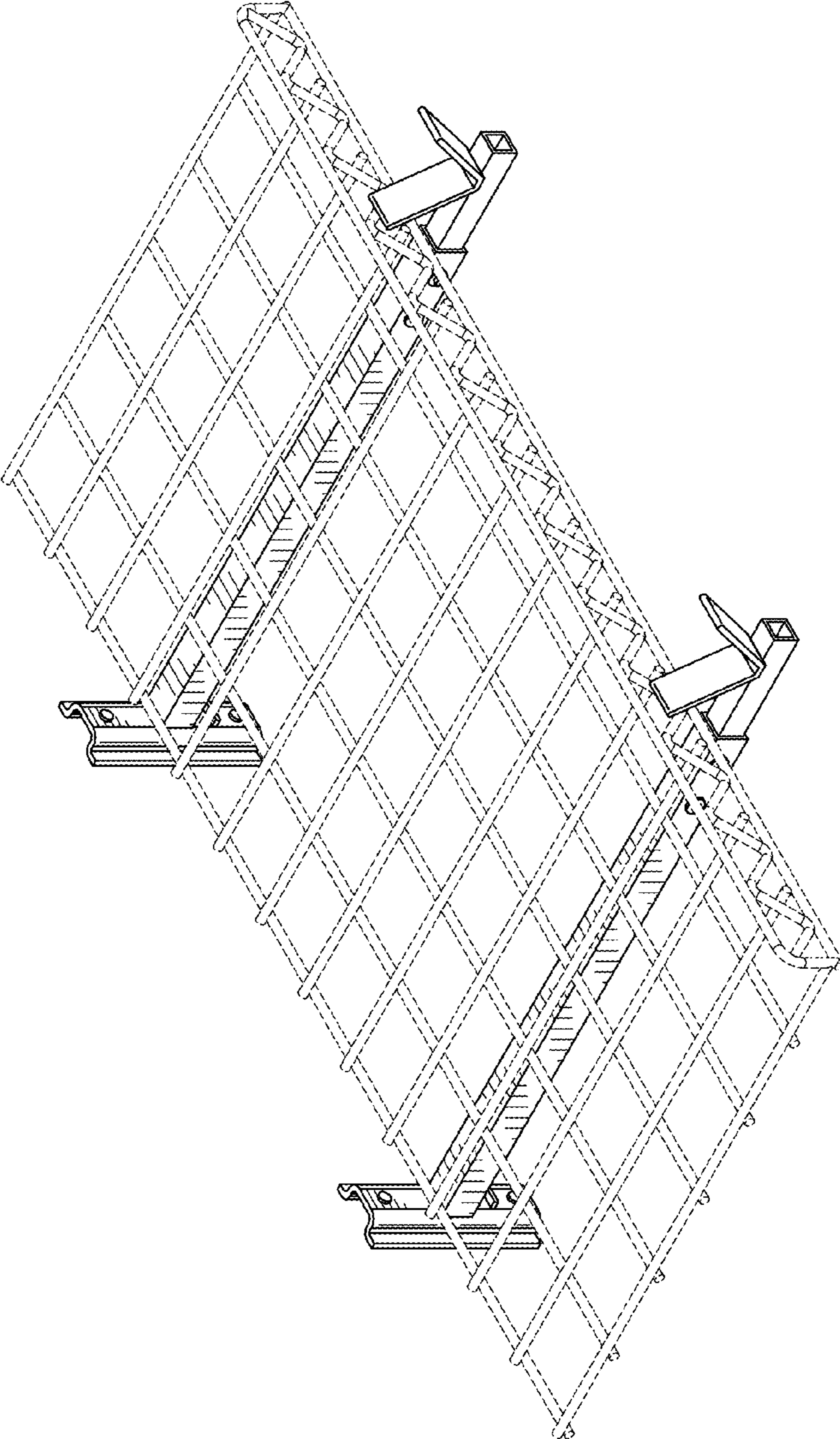


FIG. 1

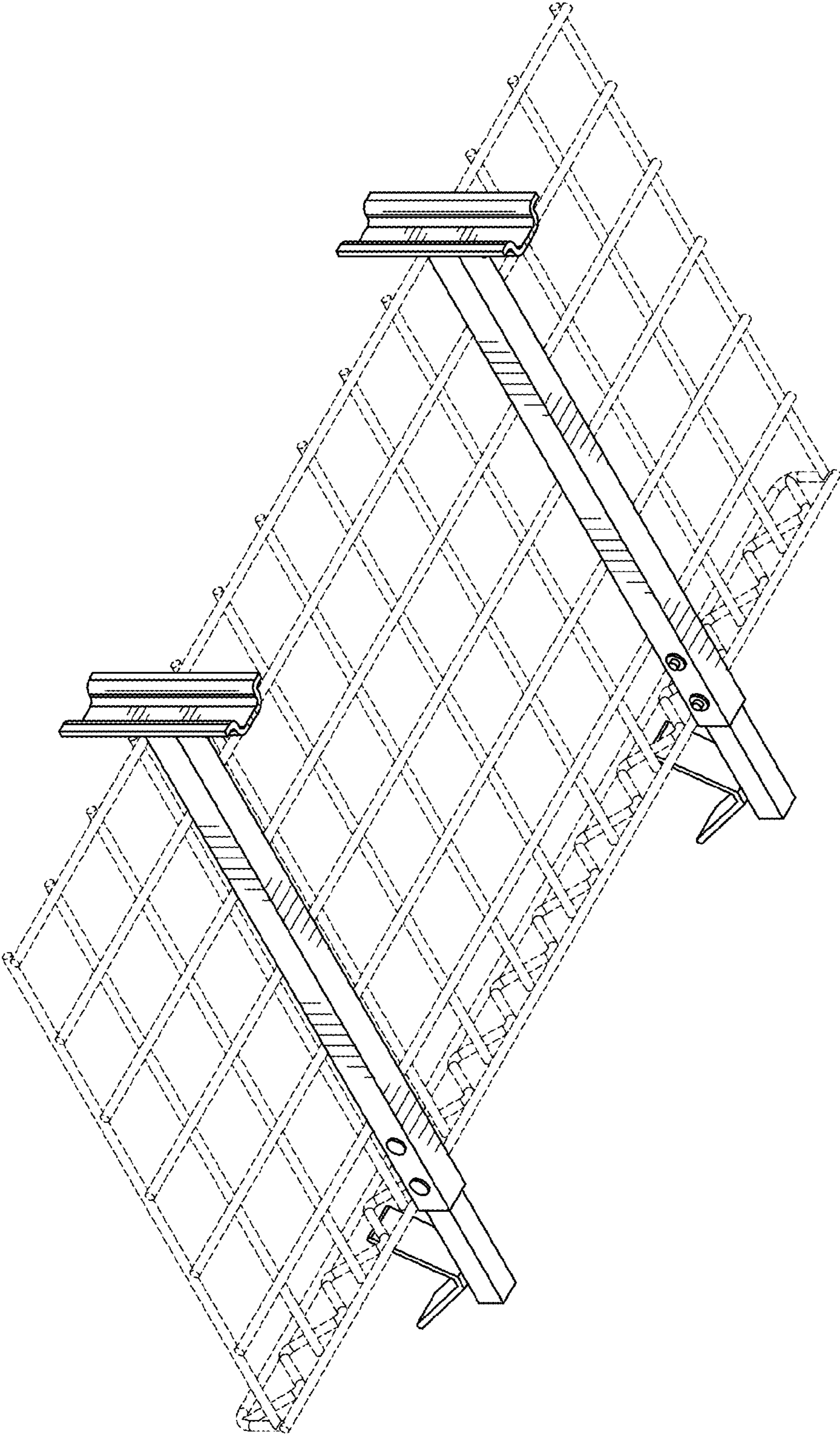


FIG. 2

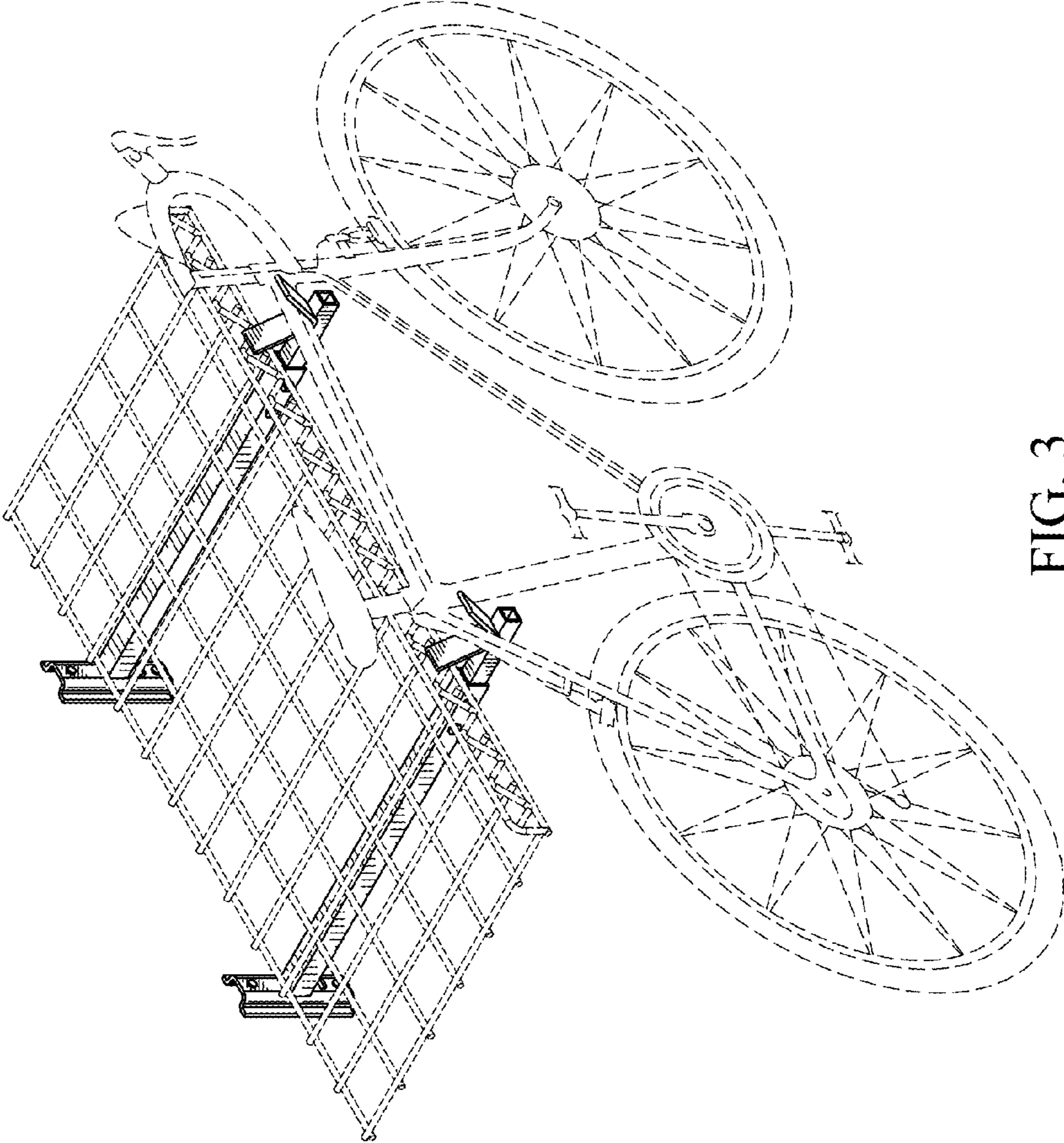


FIG. 3

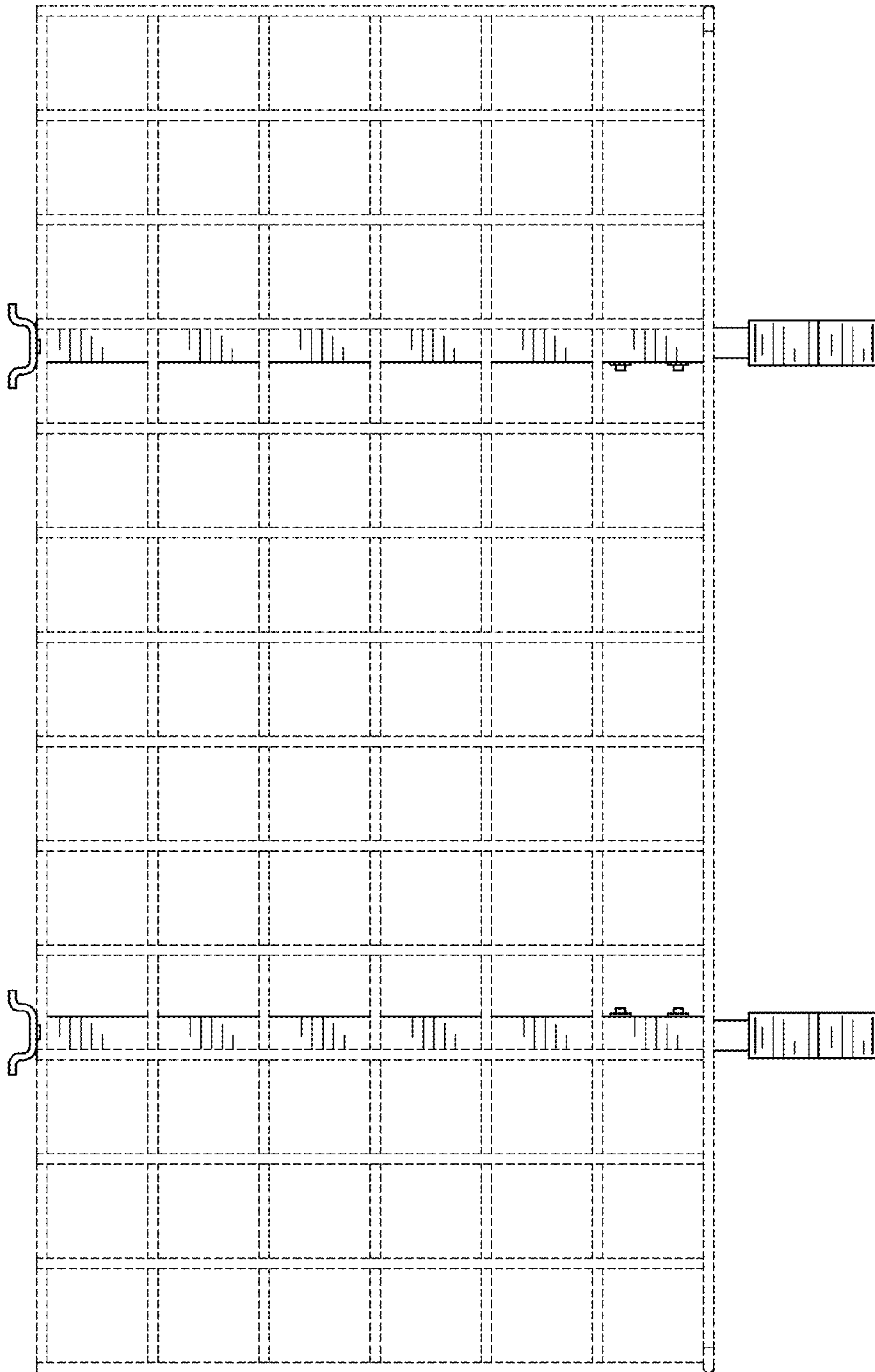


FIG. 4

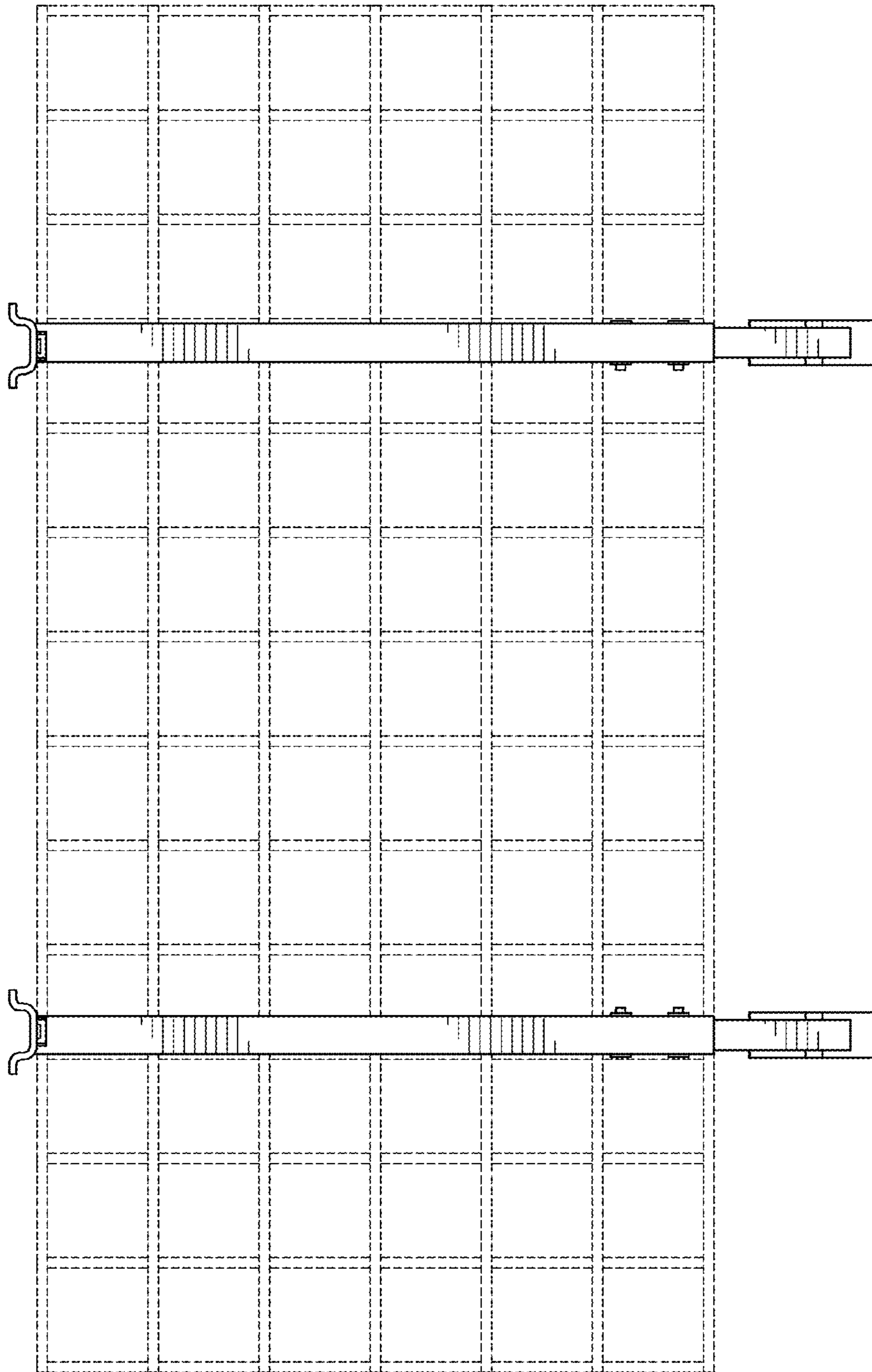


FIG. 5

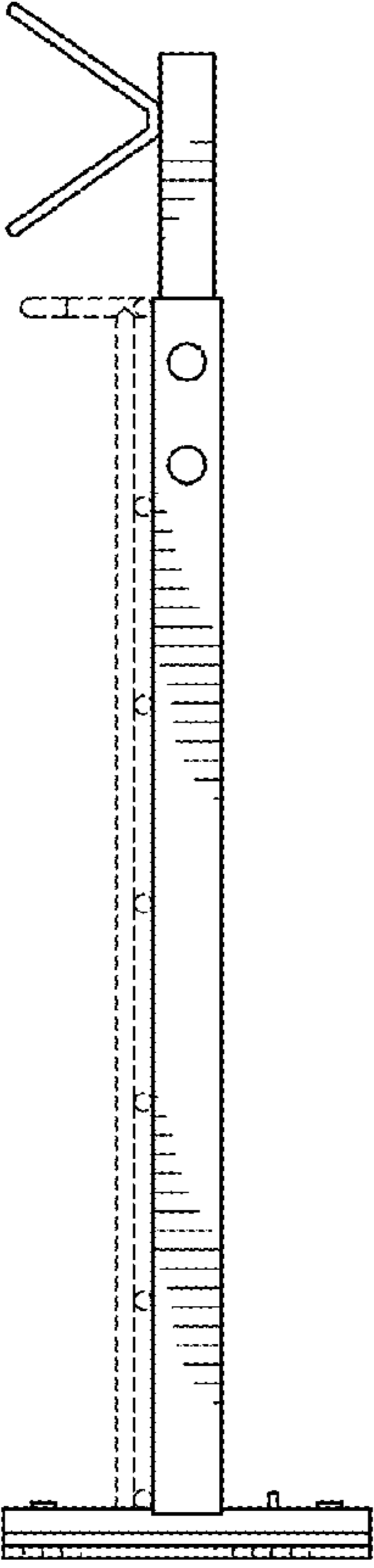


FIG. 6

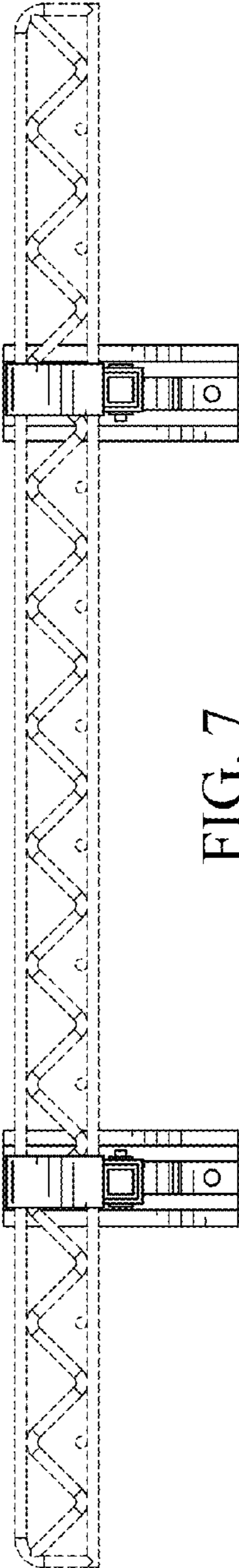


FIG. 7

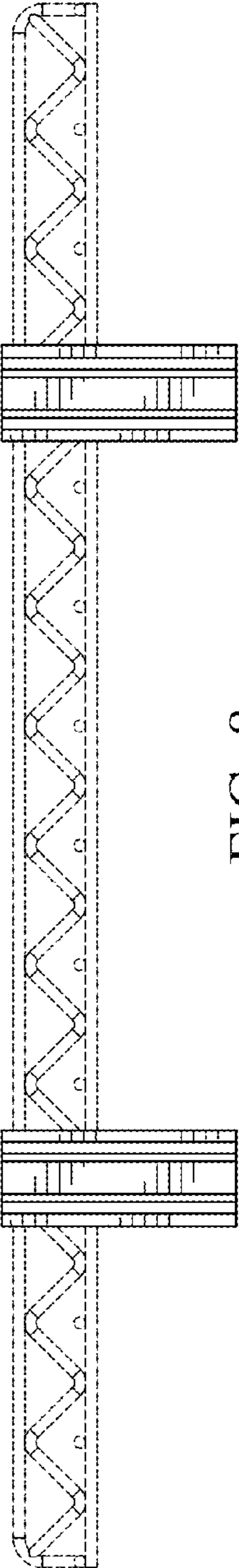


FIG. 8