



US00D702539S

(12) **United States Design Patent**
Goodman et al.

(10) **Patent No.:** **US D702,539 S**
(45) **Date of Patent:** **** Apr. 15, 2014**

(54) **DOUBLE HOOK**

(71) Applicant: **Spectrum Diversified Designs, Inc.**,
Streetsboro, OH (US)

(72) Inventors: **Sheldon Goodman**, Solon, OH (US);
Phaysouk Xayoiphonh, Akron, OH
(US)

(73) Assignee: **Spectrum Diversified Designs, Inc.**,
Streetsboro, OH (US)

(**) Term: **14 Years**

(21) Appl. No.: **29/440,406**

(22) Filed: **Dec. 21, 2012**

(51) **LOC (10) Cl.** **08-05**

(52) **U.S. Cl.**
USPC **D8/372; D8/370**

(58) **Field of Classification Search**
USPC **D8/372, 370, 367; 248/302-303, 215**
See application file for complete search history.

(56) **References Cited**

U.S. PATENT DOCUMENTS

D283,786 S * 5/1986 Chap D8/370
D473,451 S * 4/2003 Goodman et al. D8/367

* cited by examiner

Primary Examiner — Holly Baynham

(74) *Attorney, Agent, or Firm* — Benesch Friedlander
Coplan & Aronoff LLP

(57) **CLAIM**

What is claimed is the ornamental design for an ornamental
double hook, as shown and described.

DESCRIPTION

FIG. 1 is a perspective view of an ornamental double hook
showing a new design;

FIG. 2 is a front view of the ornamental double hook of FIG.
1;

FIG. 3 is a side view of the ornamental double hook of FIG. 1;

FIG. 4 is a rear view of the ornamental double hook of FIG. 1;

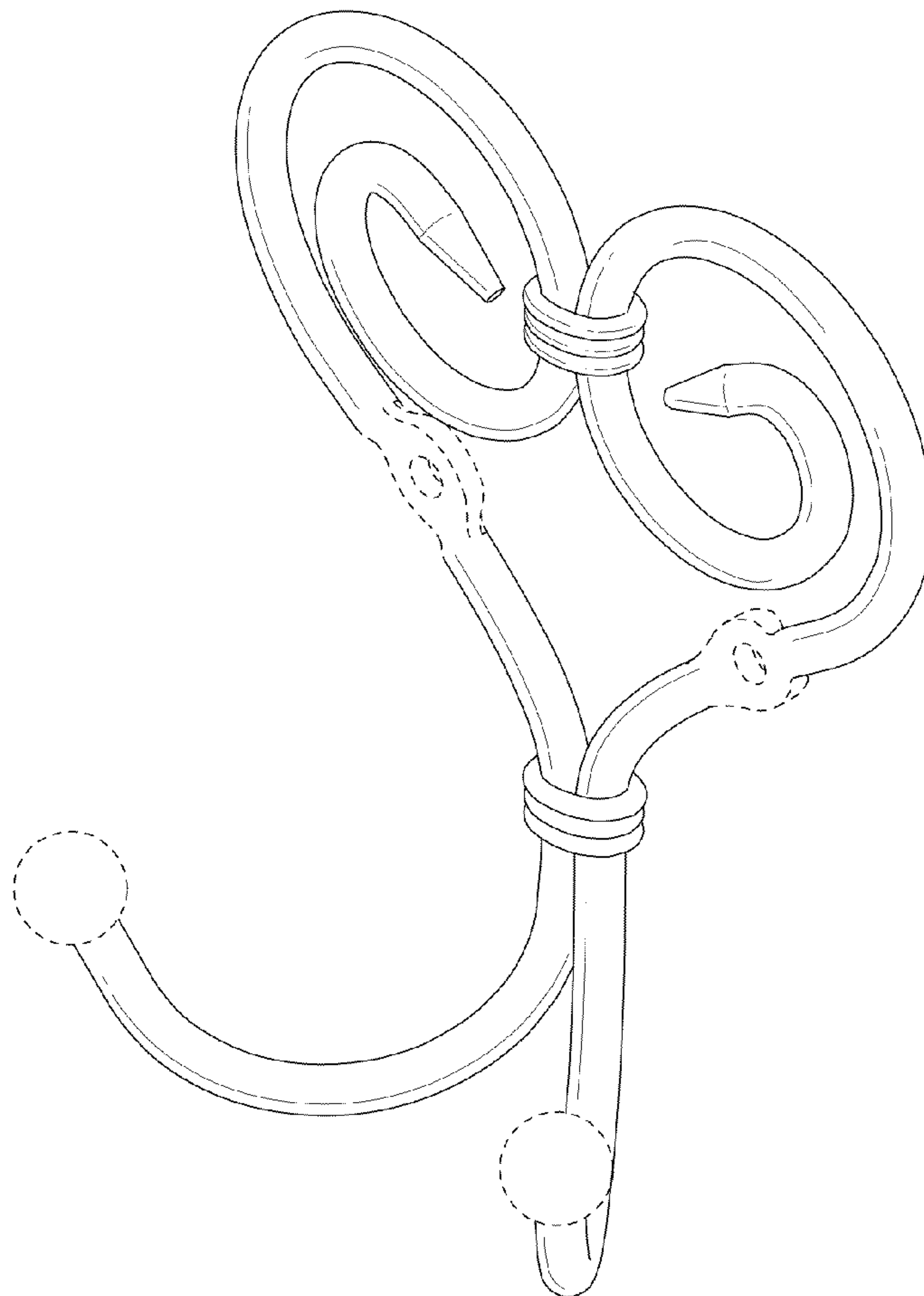
FIG. 5 is a top view of the ornamental double hook of FIG. 1;

and,

FIG. 6 is a bottom view of the ornamental double hook of FIG.
1.

The components of the display shown in broken lines illustrate
portions of the ornamental double hook which form no
part of the claimed design.

1 Claim, 3 Drawing Sheets



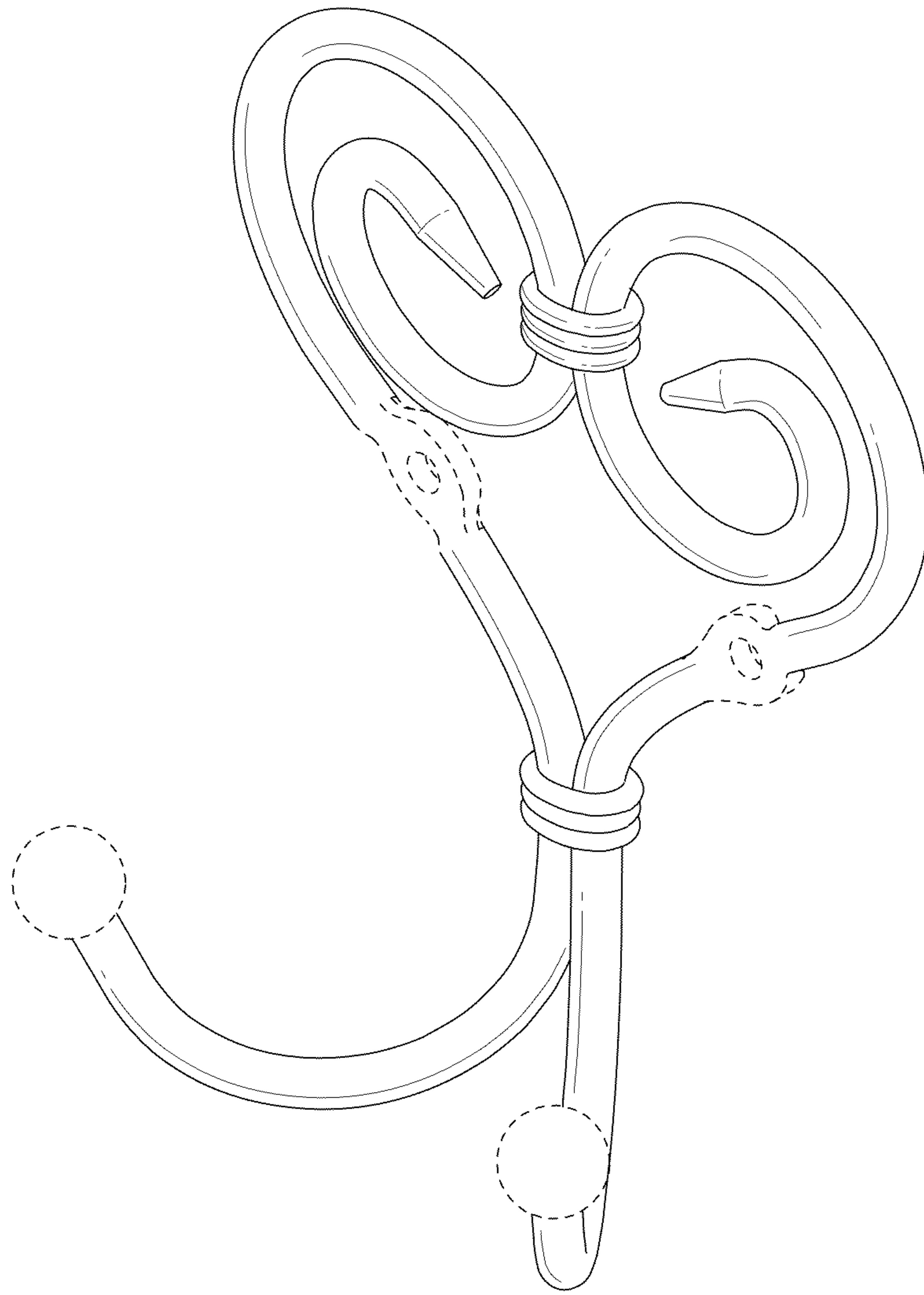


FIG 1

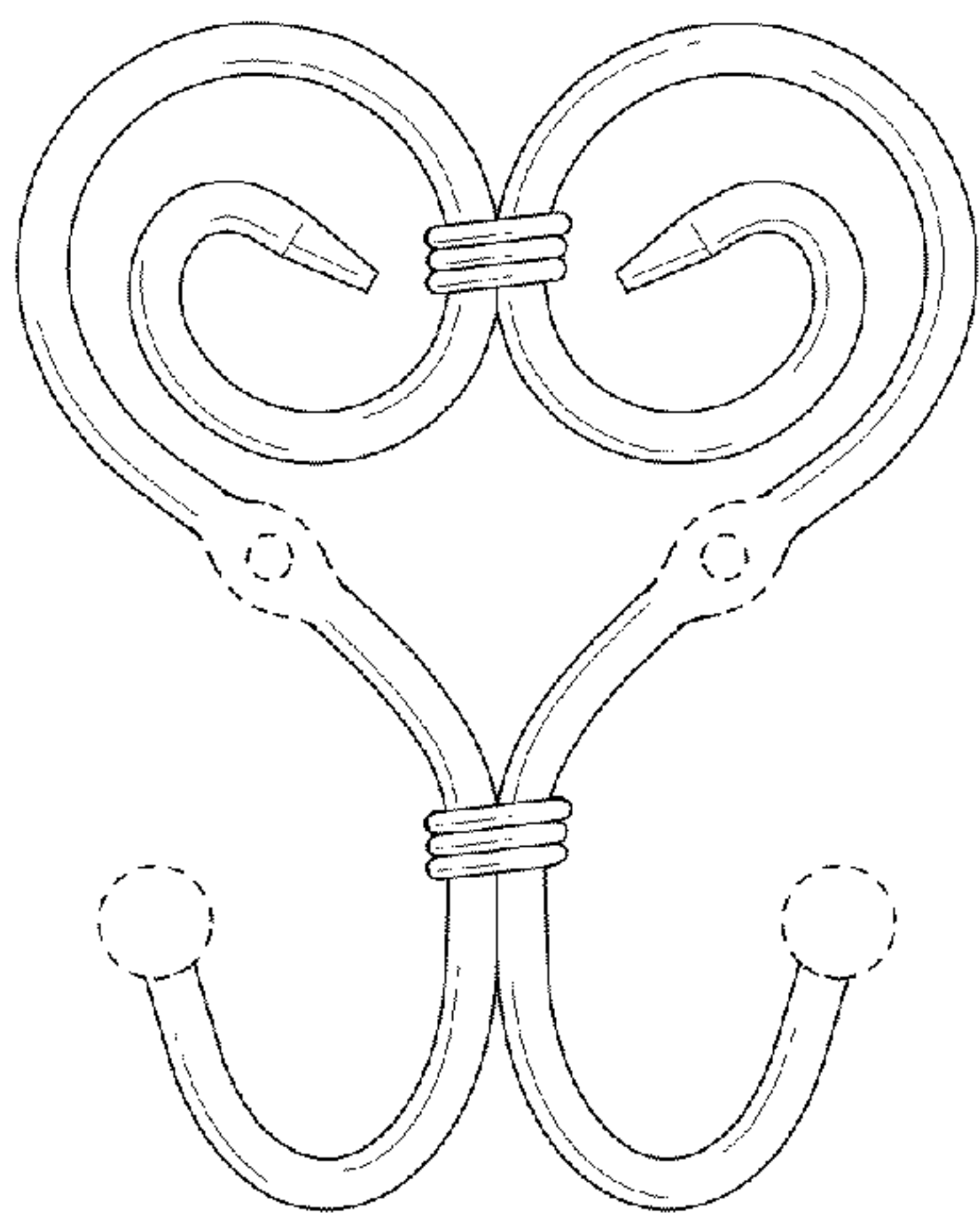


FIG 2

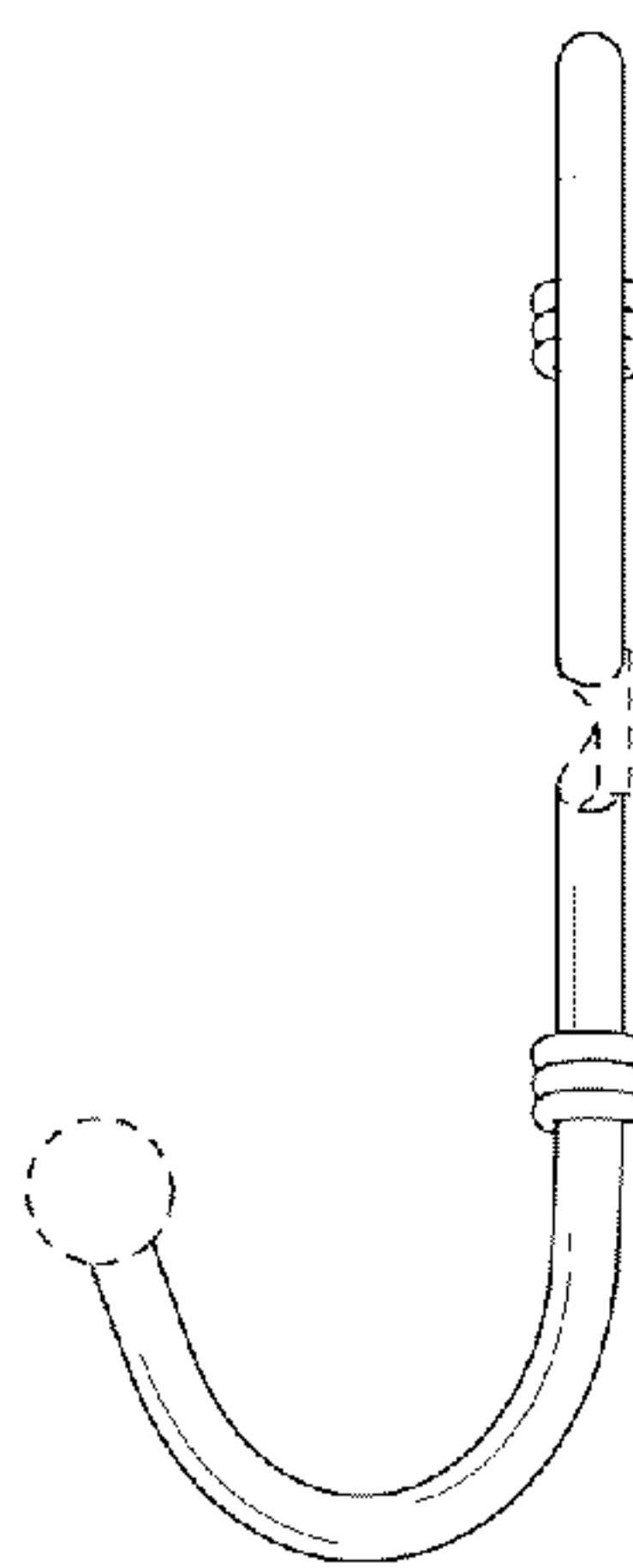


FIG 3

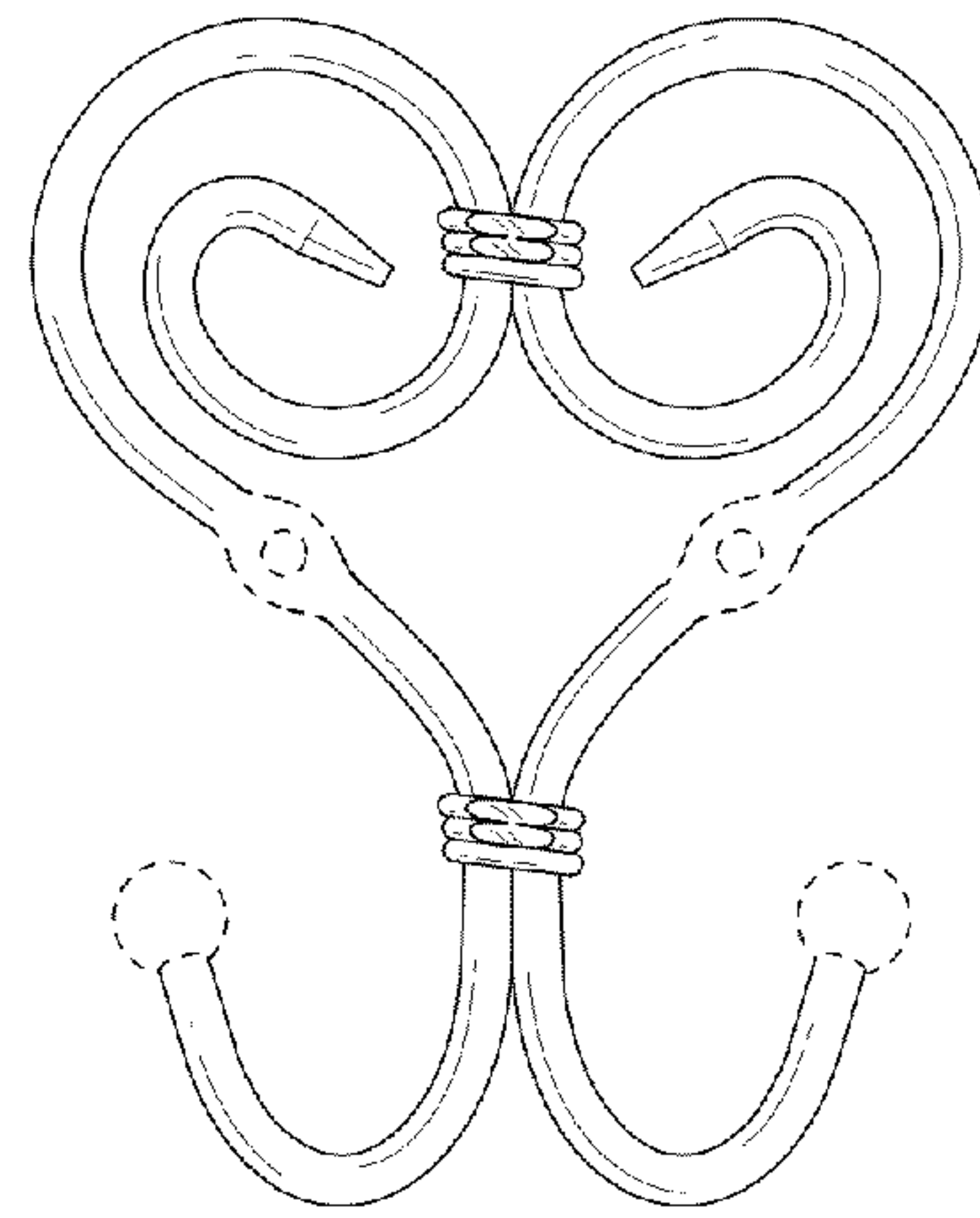


FIG 4

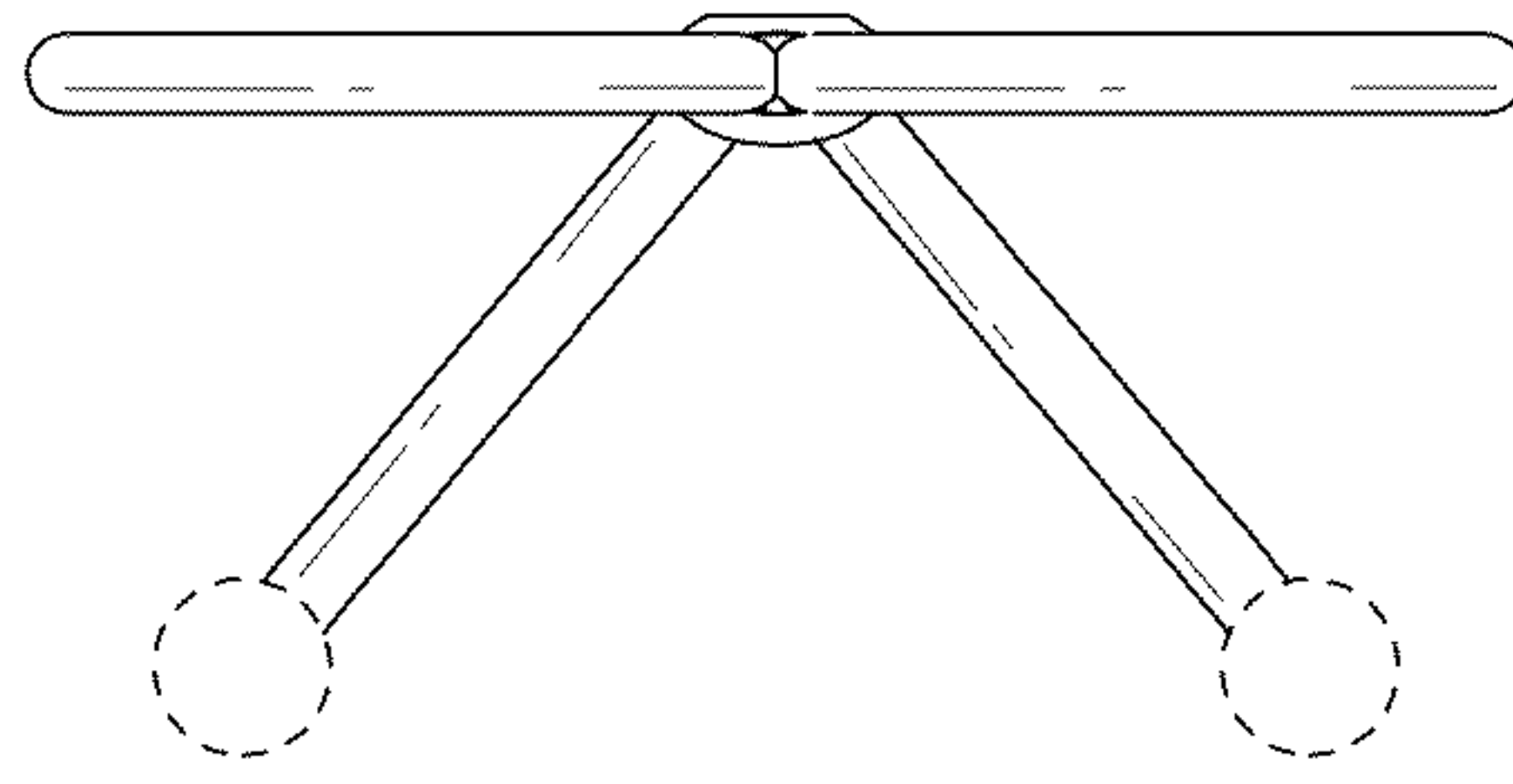


FIG 5

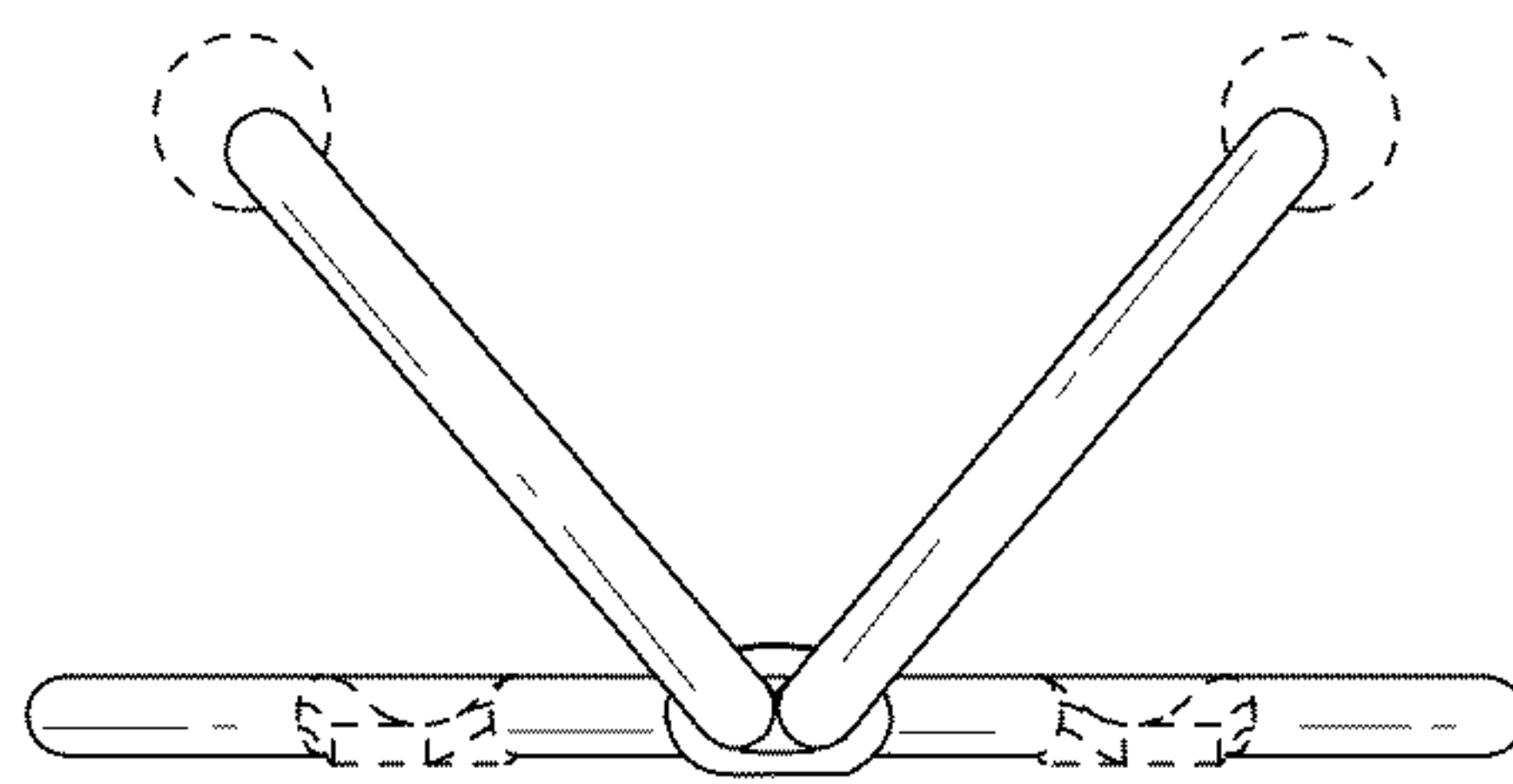


FIG 6