



US00D702538S

(12) **United States Design Patent**
Wagner

(10) **Patent No.:** **US D702,538 S**
(45) **Date of Patent:** **** Apr. 15, 2014**

(54) **SHAPED CARRYING AND HANGING ATTACHMENT HOOK**

D668,935 S * 10/2012 Yoo D8/367
8,302,923 B2 11/2012 Johnston et al.
2013/0105419 A1 5/2013 Kologe

(71) Applicant: **Paul F. Wagner**, Houston, TX (US)

FOREIGN PATENT DOCUMENTS

(72) Inventor: **Paul F. Wagner**, Houston, TX (US)

EP 0 079 456 B1 12/1986
EP 1 435 811 A1 7/2004
WO 2010033496 A1 3/2010

(73) Assignee: **Cole & Ashcroft, L.P.**, Houston, TX (US)

* cited by examiner

(**) Term: **14 Years**

Primary Examiner — Holly Baynham

(21) Appl. No.: **29/438,724**

(74) *Attorney, Agent, or Firm* — Sutton McAughan Deaver, PLLC

(22) Filed: **Dec. 3, 2012**

(51) **LOC (10) Cl.** **08-05**

(57) **CLAIM**

The ornamental design for a shaped carrying and hanging attachment hook, as shown and described.

(52) **U.S. Cl.**

DESCRIPTION

USPC **D8/367**

(58) **Field of Classification Search**

CPC F16B 45/00; F16B 15/02; F16B 13/10; F16D 13/041

USPC D8/367; 248/301–304, 215

See application file for complete search history.

FIG. 1 is an isometric front perspective view of a shaped carrying and hanging attachment hook in a typical environment;

FIG. 2 is front view thereof;

FIG. 3 is a rear view thereof, showing the face opposite that of the hook in FIG. 2;

FIG. 4 is a side view thereof;

FIG. 5 is side view thereof, showing the side opposite that shown in FIG. 4;

FIG. 6 is a top view thereof; and,

FIG. 7 is a bottom view thereof, showing the side opposite that shown in FIG. 6.

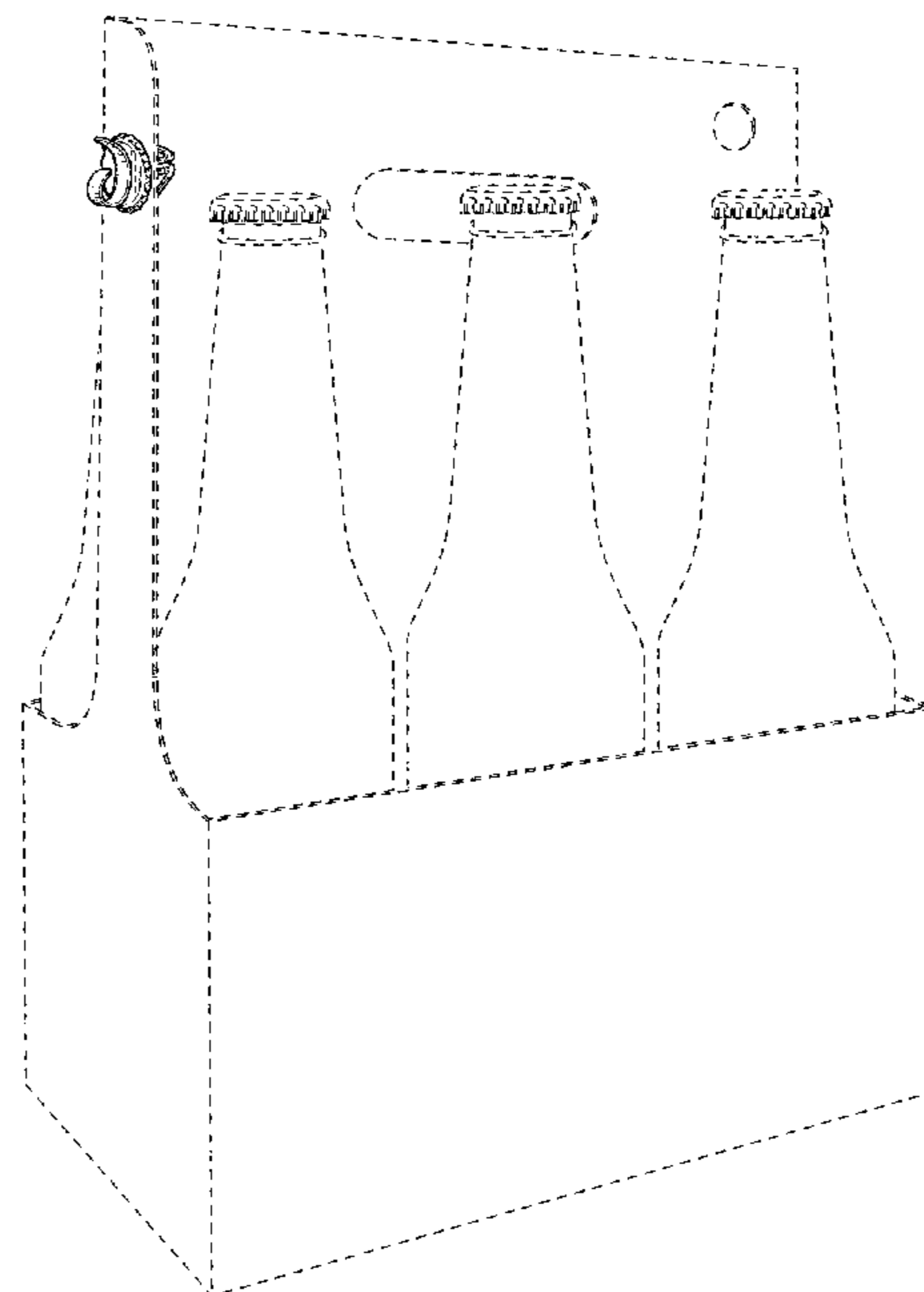
The broken lines in the Figures are for the purpose of illustrating exemplary environmental structure and form no part of the claimed design.

(56) **References Cited**

U.S. PATENT DOCUMENTS

D281,575 S	12/1985	Chap	
D300,301 S	3/1989	Furst et al.	
4,889,304 A	12/1989	Glickman et al.	
5,409,336 A *	4/1995	Jericevich et al.	411/41
D386,065 S *	11/1997	Lewis	D8/354
D521,363 S	5/2006	Copen et al.	
7,850,408 B2 *	12/2010	Ernst et al.	411/344
8,109,705 B1 *	2/2012	Brown et al.	411/344
D664,835 S *	8/2012	Wu	D8/367

1 Claim, 4 Drawing Sheets



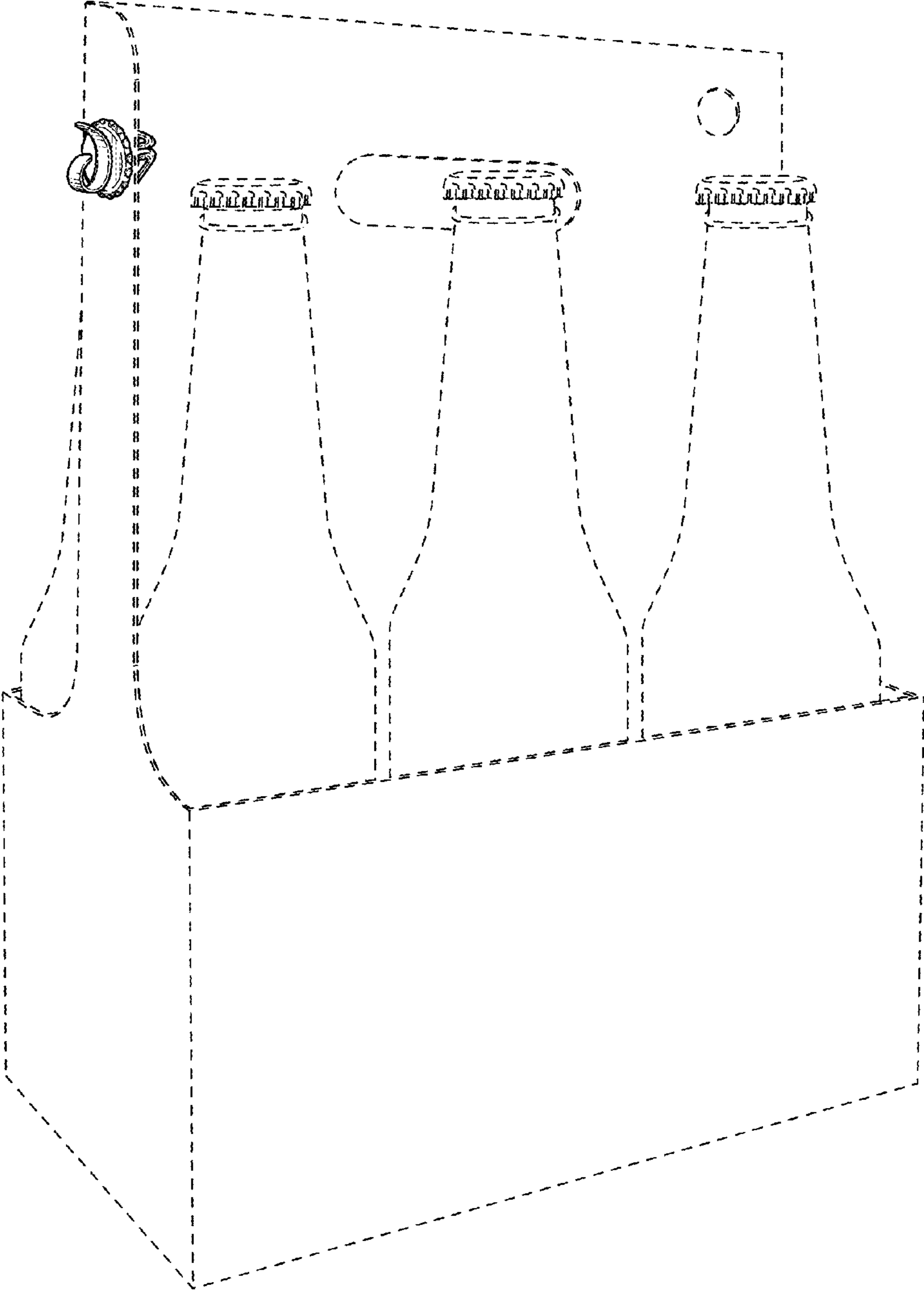


FIG. 1

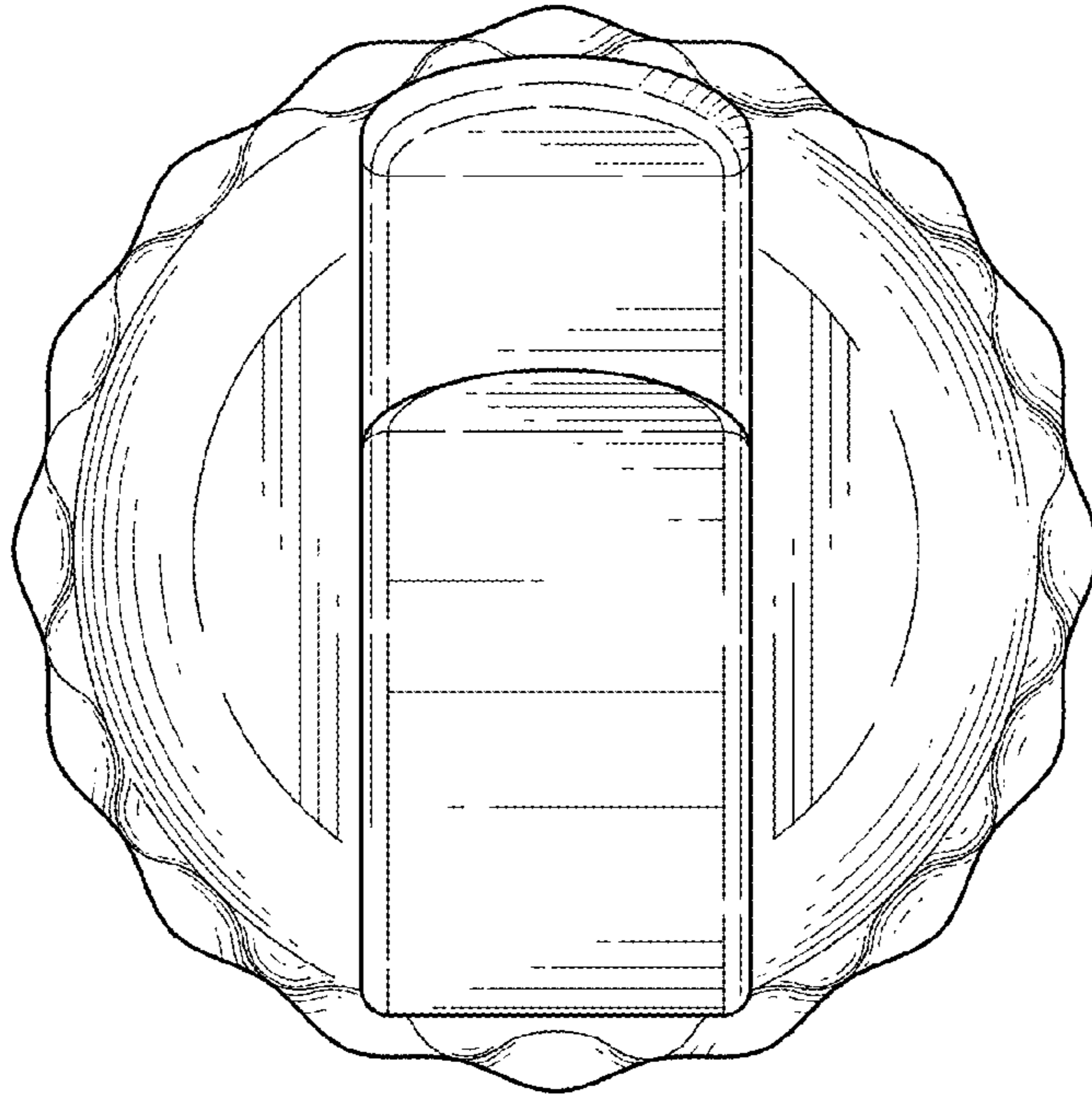


FIG. 2

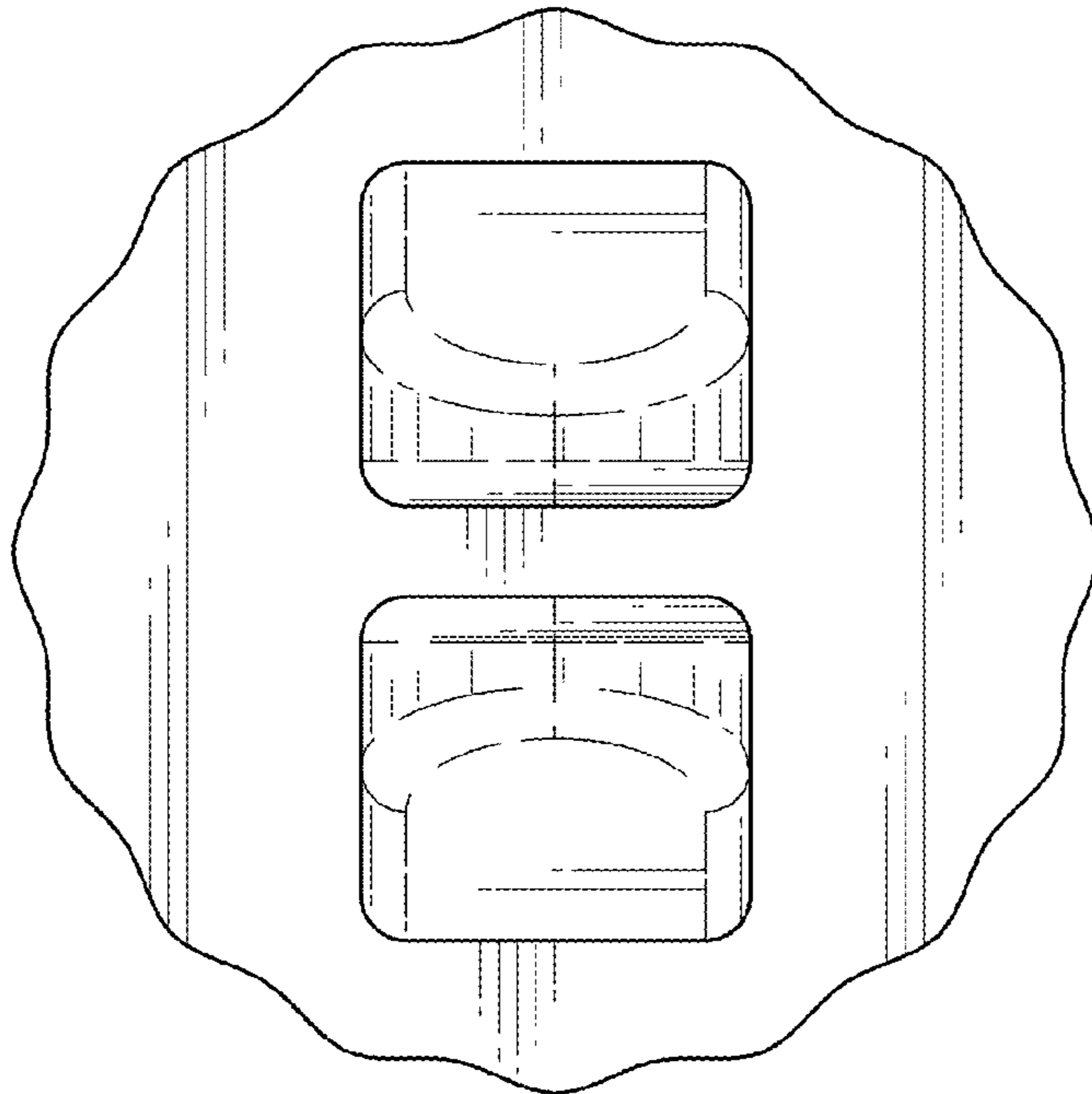


FIG. 3

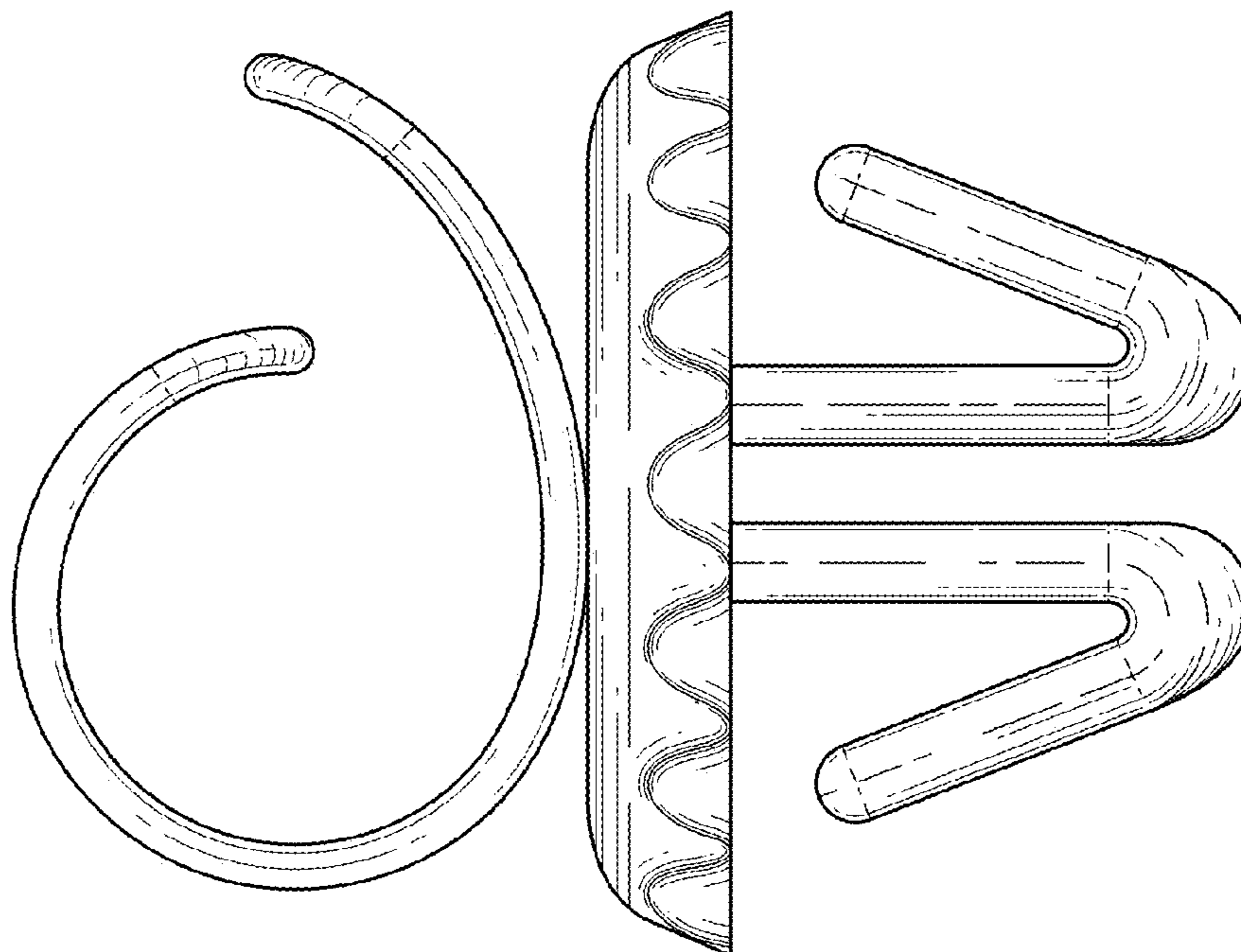


FIG. 4

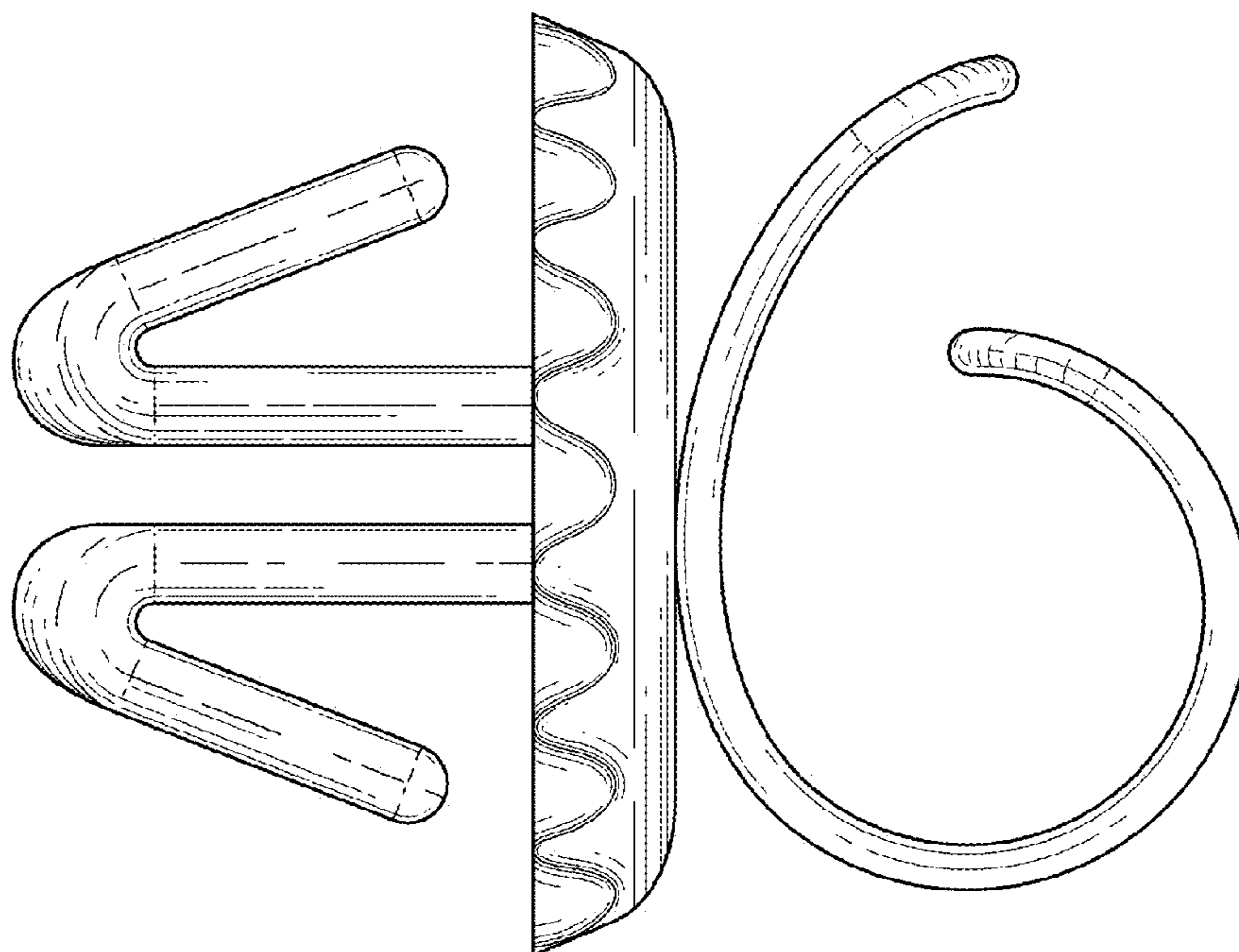


FIG. 5

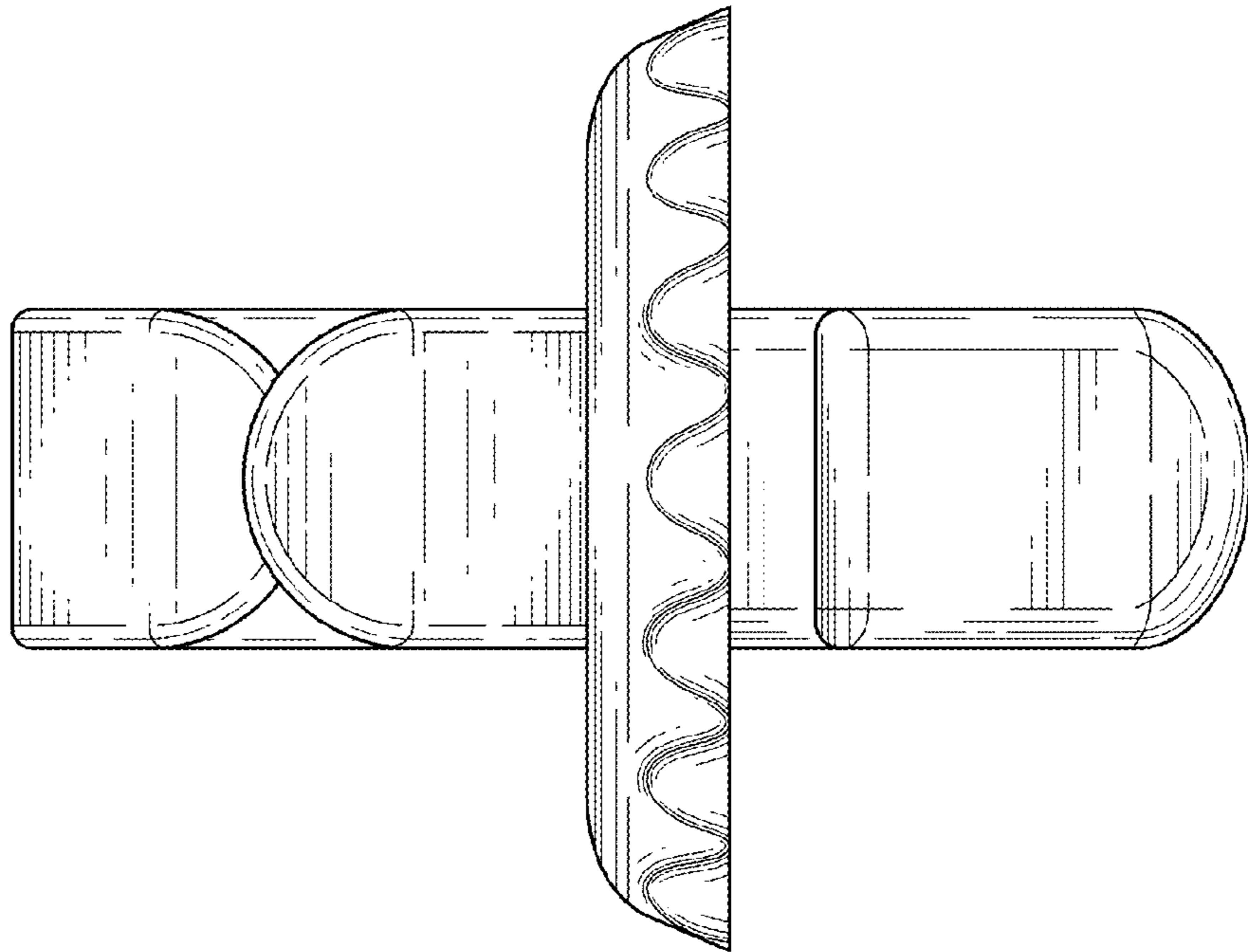


FIG. 6

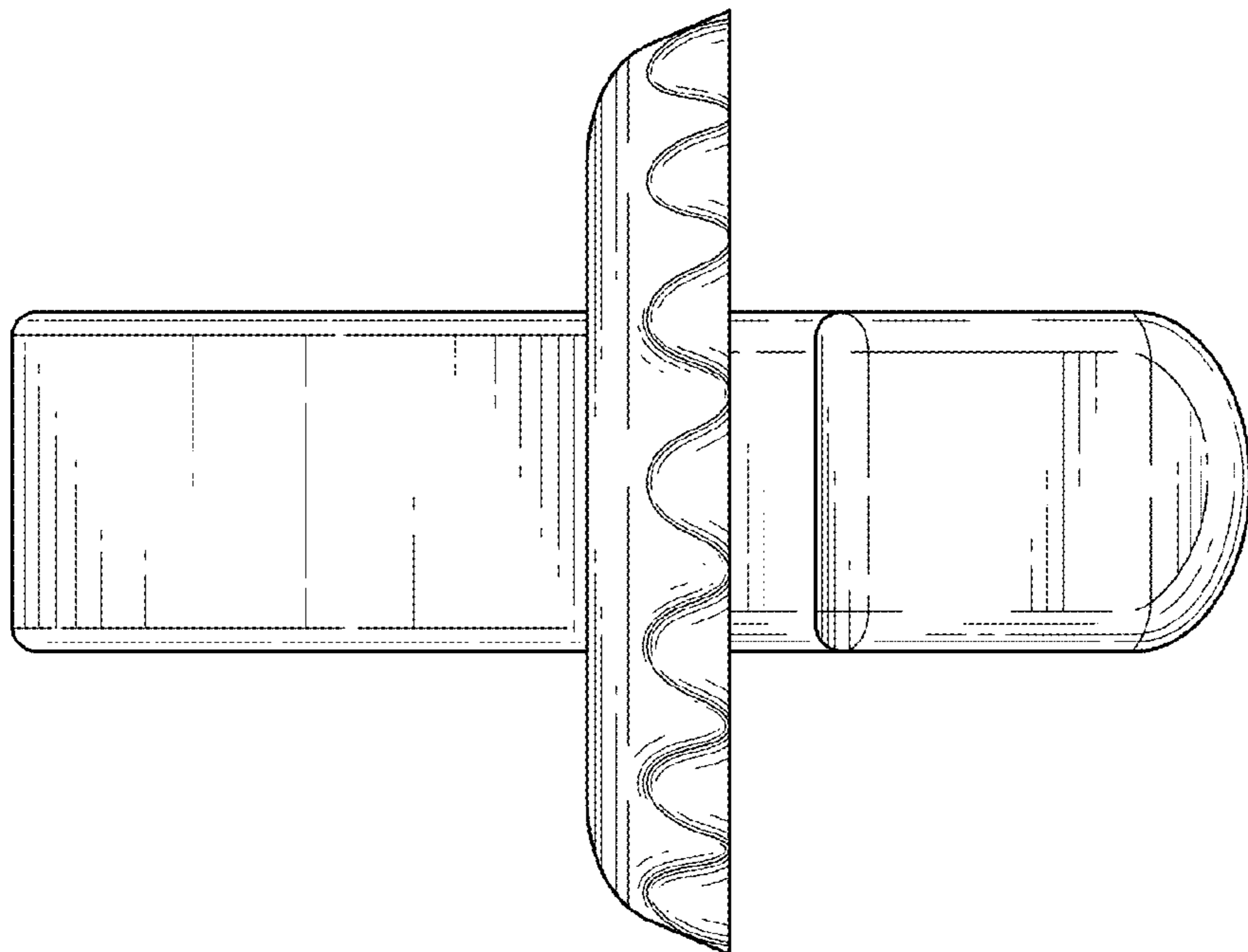


FIG. 7