



US00D702537S

(12) **United States Design Patent**
Hyp et al.

(10) **Patent No.:** **US D702,537 S**

(45) **Date of Patent:** **** Apr. 15, 2014**

(54) **SLATTED TOP HOSE BOX**

(71) Applicant: **Ames True Temper, Inc.**, Camp Hill, PA (US)

(72) Inventors: **Eric Daniel Hyp**, Grandville, MI (US);
Daniel Frank Marshall, Enola, PA (US); **Peter Arcati**, Dillsburg, PA (US)

(73) Assignee: **Ames True Temper, Inc.**, Camp Hill, PA (US)

(**) Term: **14 Years**

(21) Appl. No.: **29/461,589**

(22) Filed: **Jul. 25, 2013**

(51) **LOC (10) Cl.** **08-05**

(52) **U.S. Cl.**
USPC **D8/359**

(58) **Field of Classification Search**
USPC D8/359, 358, 357; D10/107; 206/389;
D3/274; 242/390.8, 395, 395.1, 397.5,
242/405.2, 406; D99/40; 137/355.2,
137/355.27, 355.26; 248/349.1; D34/7, 1,
D34/2, 3, 4

See application file for complete search history.

(56) **References Cited**

U.S. PATENT DOCUMENTS

D332,851 S * 1/1993 Long D34/7
D337,188 S * 7/1993 Bonskowski D34/1

D340,331 S * 10/1993 Arato et al. D34/1
D401,720 S * 11/1998 Newquist D34/1
D418,739 S * 1/2000 Whitehead et al. D8/359
D421,824 S * 3/2000 Hornyak D34/1
6,050,291 A * 4/2000 Whitehead et al. 137/355.26
D432,002 S * 10/2000 Anderson et al. D8/359
D448,652 S * 10/2001 Spear et al. D8/359
D478,803 S * 8/2003 Markley D8/359
D506,123 S * 6/2005 English et al. D8/358
D669,765 S * 10/2012 Donnelly et al. D8/359
D682,072 S * 5/2013 Blaszcak et al. D8/359

* cited by examiner

Primary Examiner — Robert M Spear

Assistant Examiner — Eliza Bennett-Hattan

(74) *Attorney, Agent, or Firm* — Eckert Seamans Cherin & Mellott, LLC; David C. Jenkins

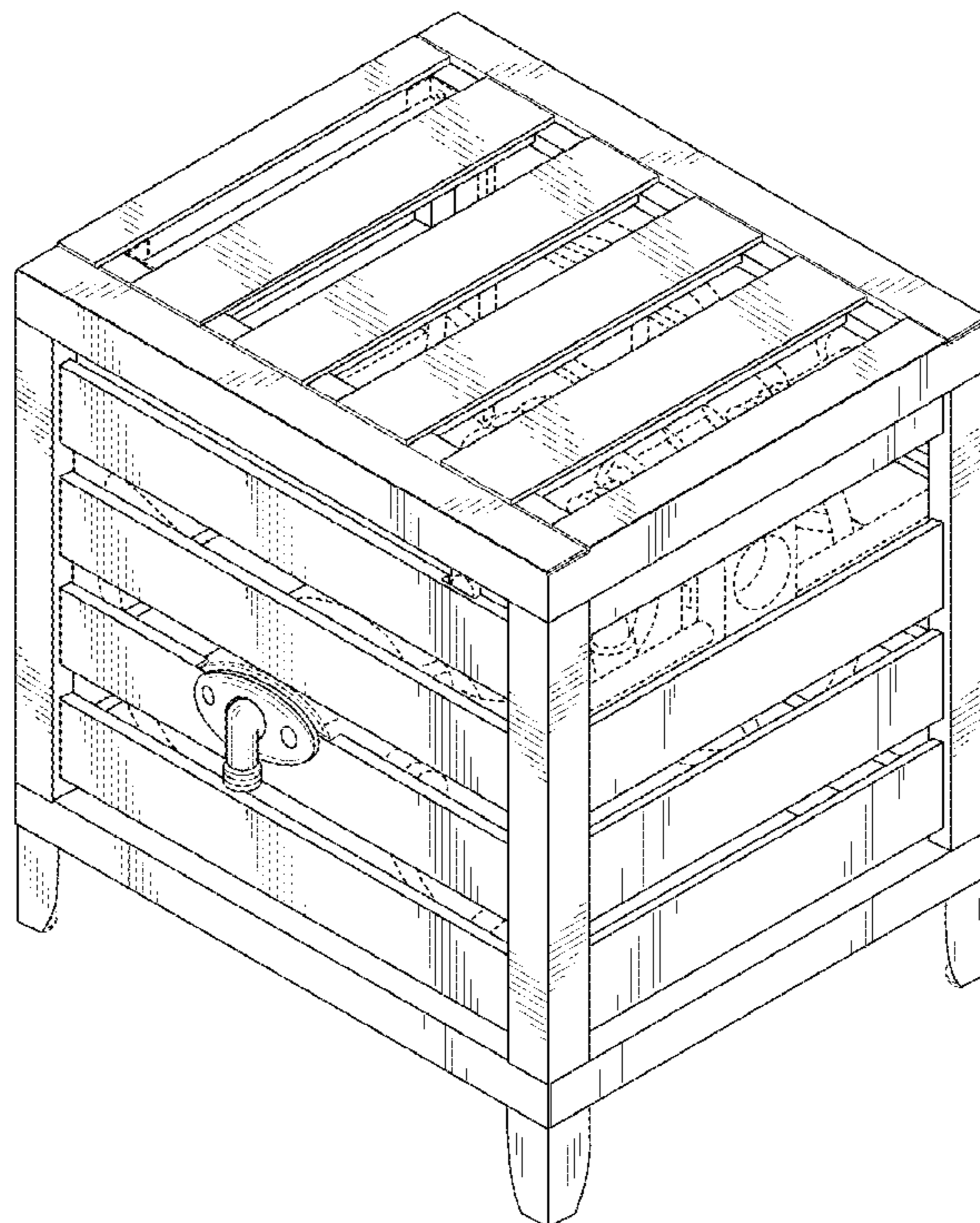
(57) **CLAIM**

The ornamental design for a slatted top hose box, as shown and described.

DESCRIPTION

FIG. 1 is an isometric view of the slatted top hose box; FIG. 2 is another isometric view of the slatted top hose box; FIG. 3 is a front side view of the slatted top hose box; FIG. 4 is a back side view of the slatted top hose box; FIG. 5 is a top view of the slatted top hose box; FIG. 6 is a bottom view of the slatted top hose box; FIG. 7 is a left side view of the slatted top hose box; and, FIG. 8 is a right side view of the slatted top hose box. The broken lines in the drawings depict environmental subject matter only and form no part of the claimed design.

1 Claim, 8 Drawing Sheets



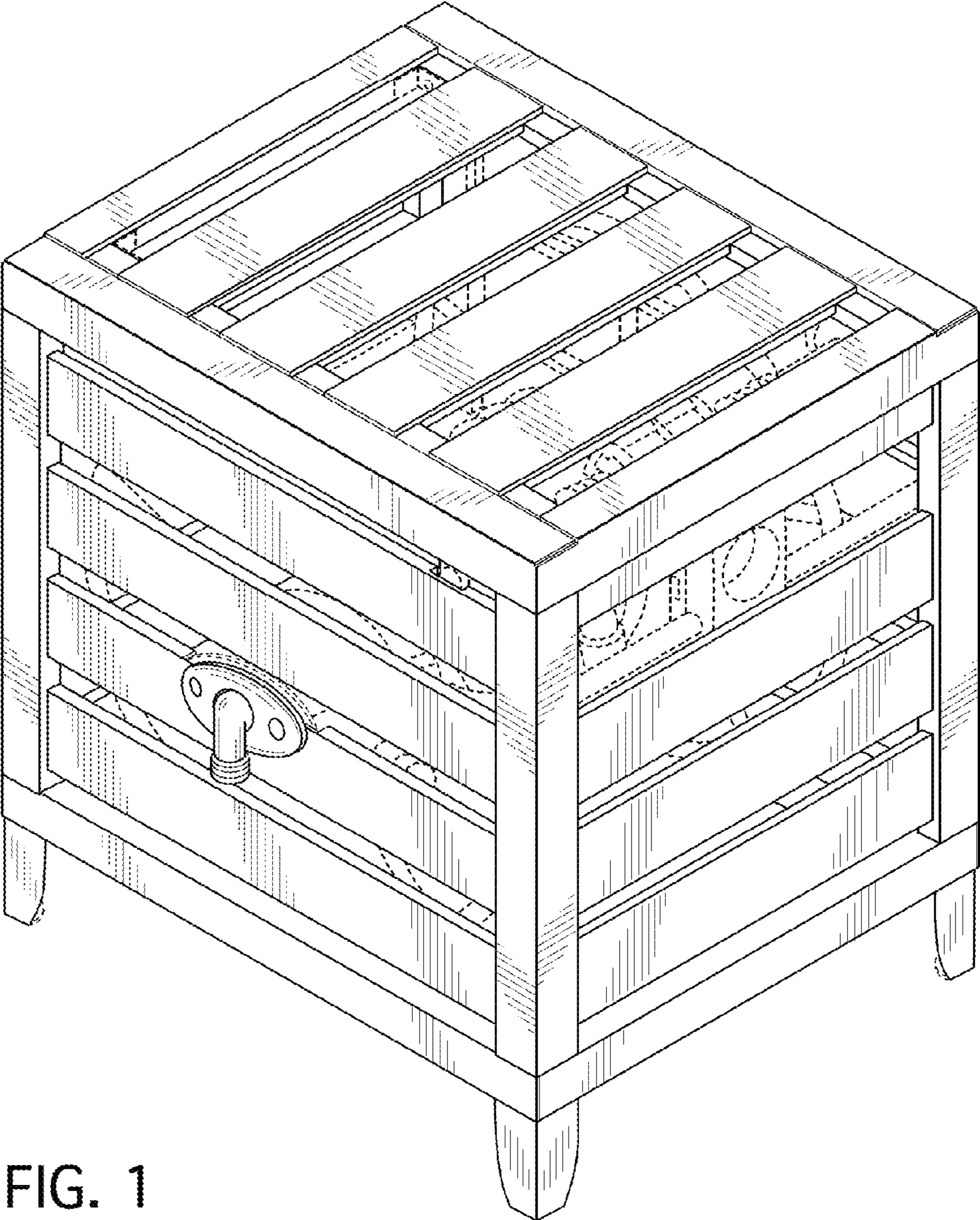


FIG. 1

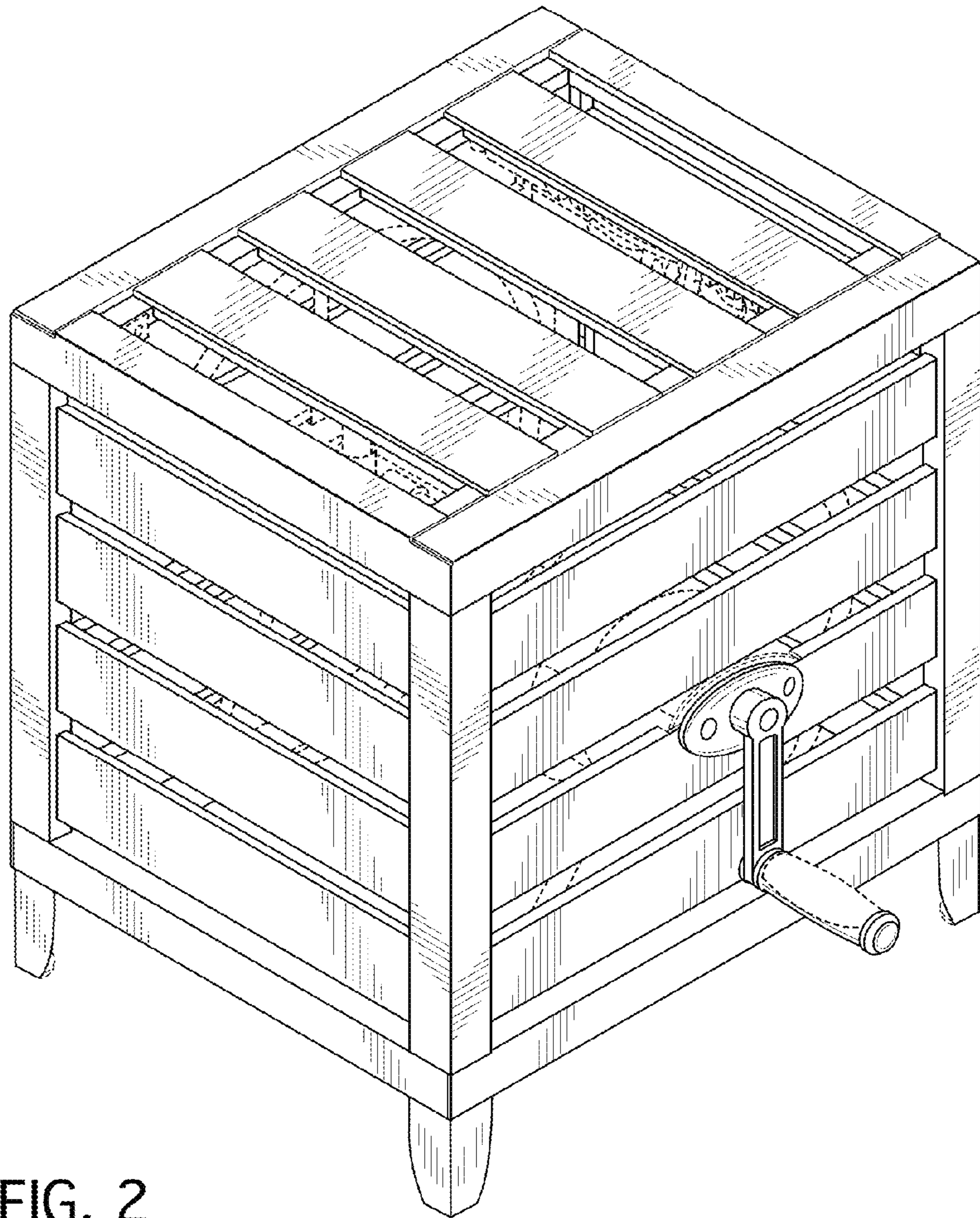


FIG. 2

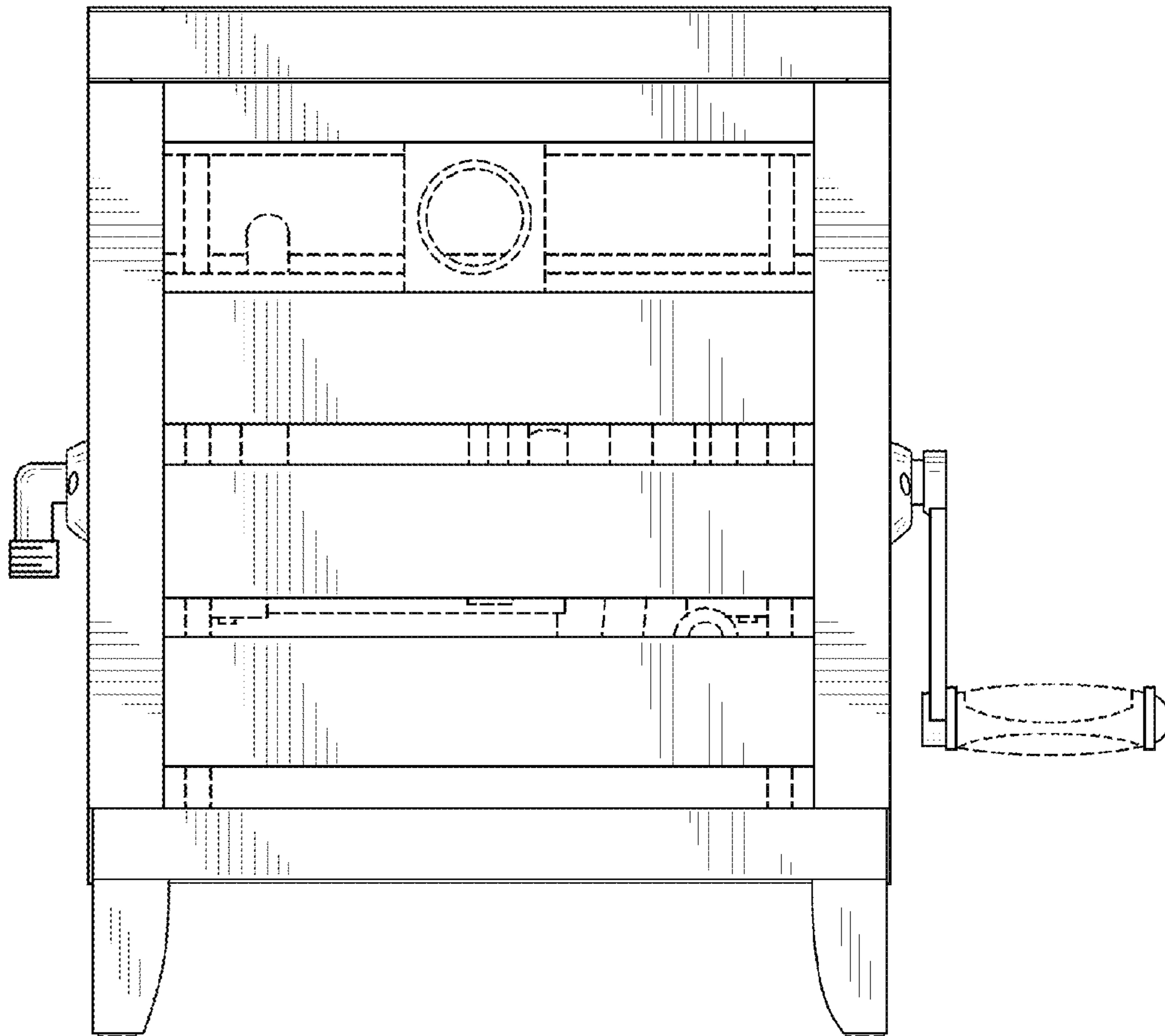


FIG. 3

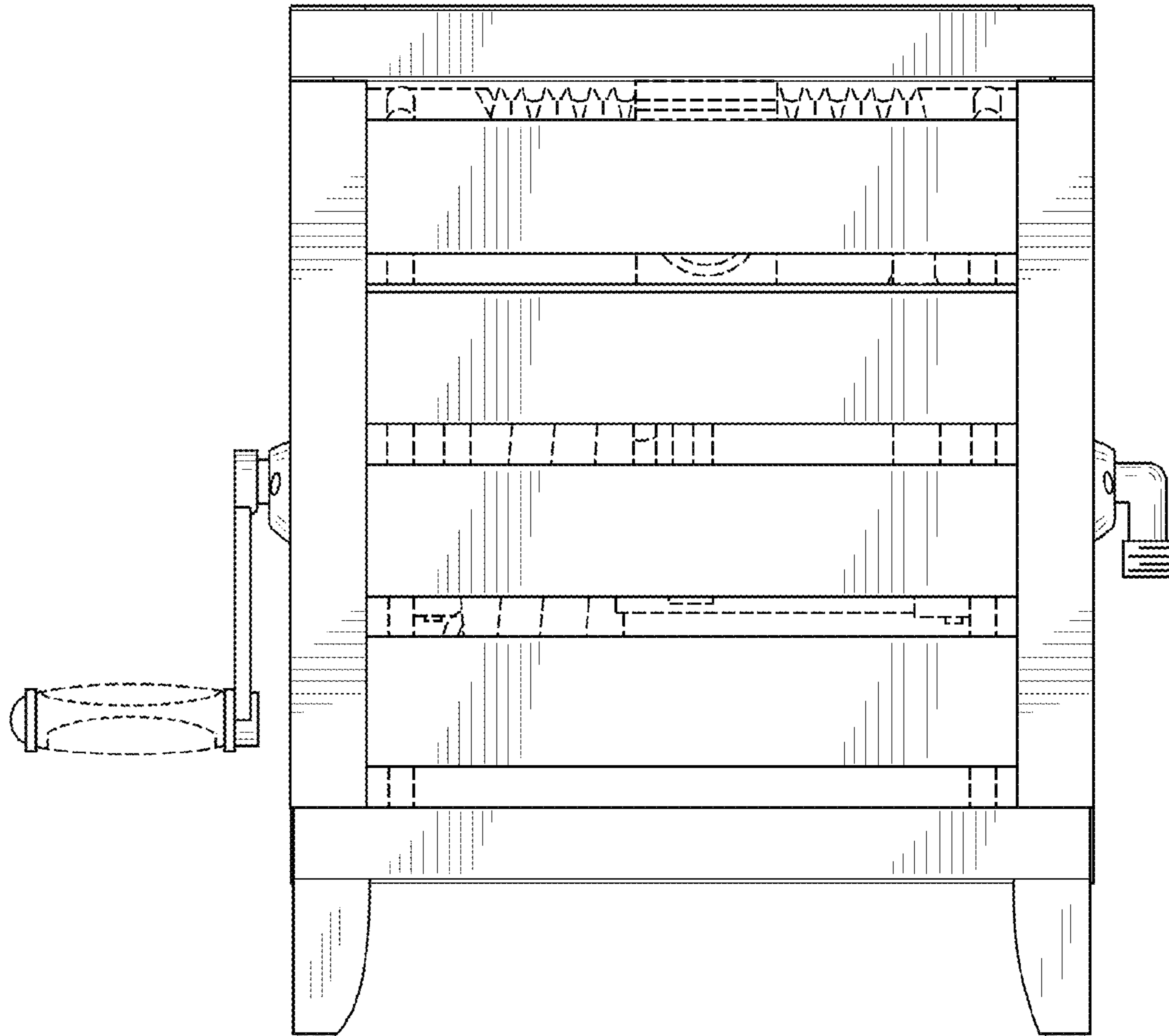


FIG. 4

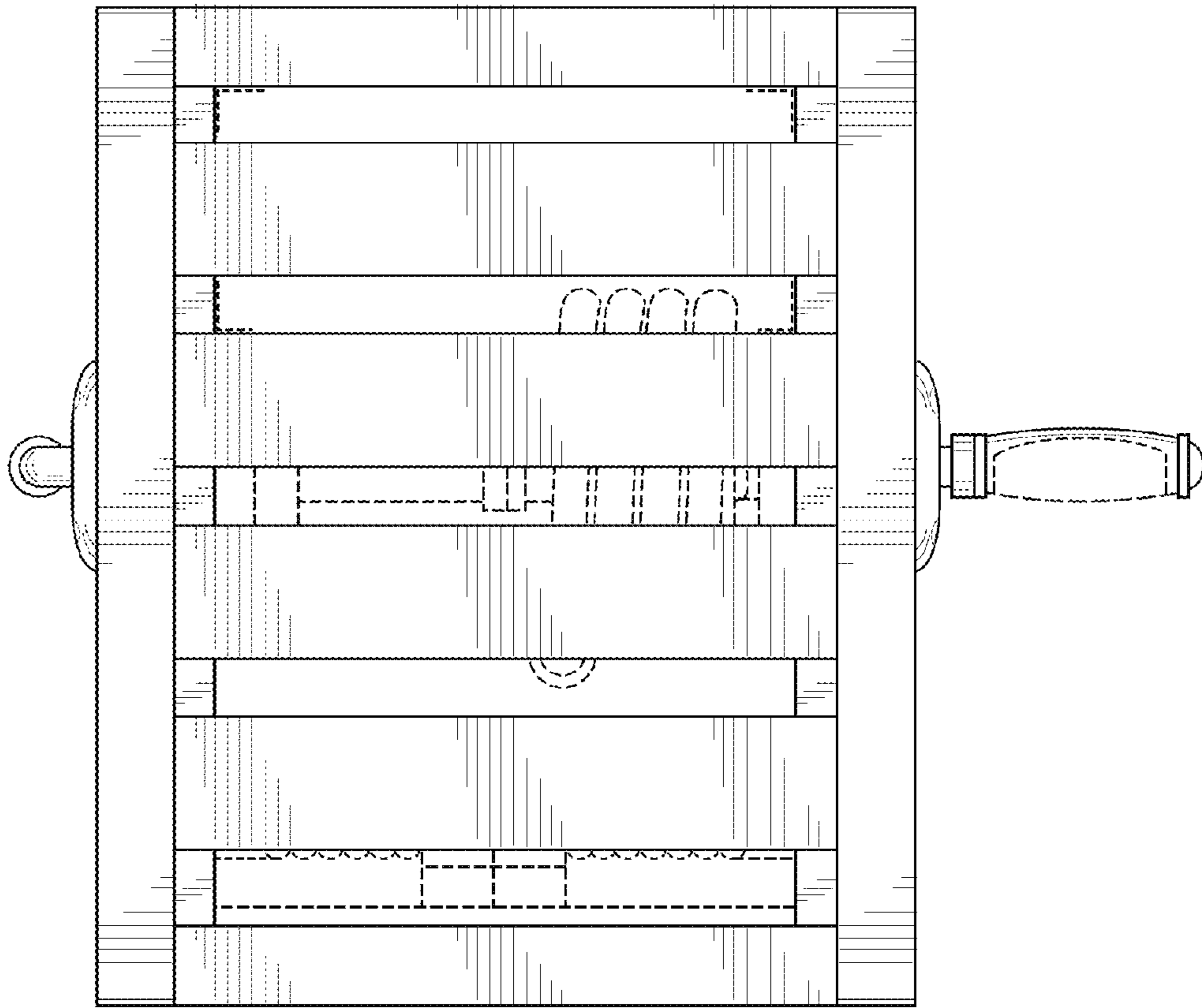


FIG. 5

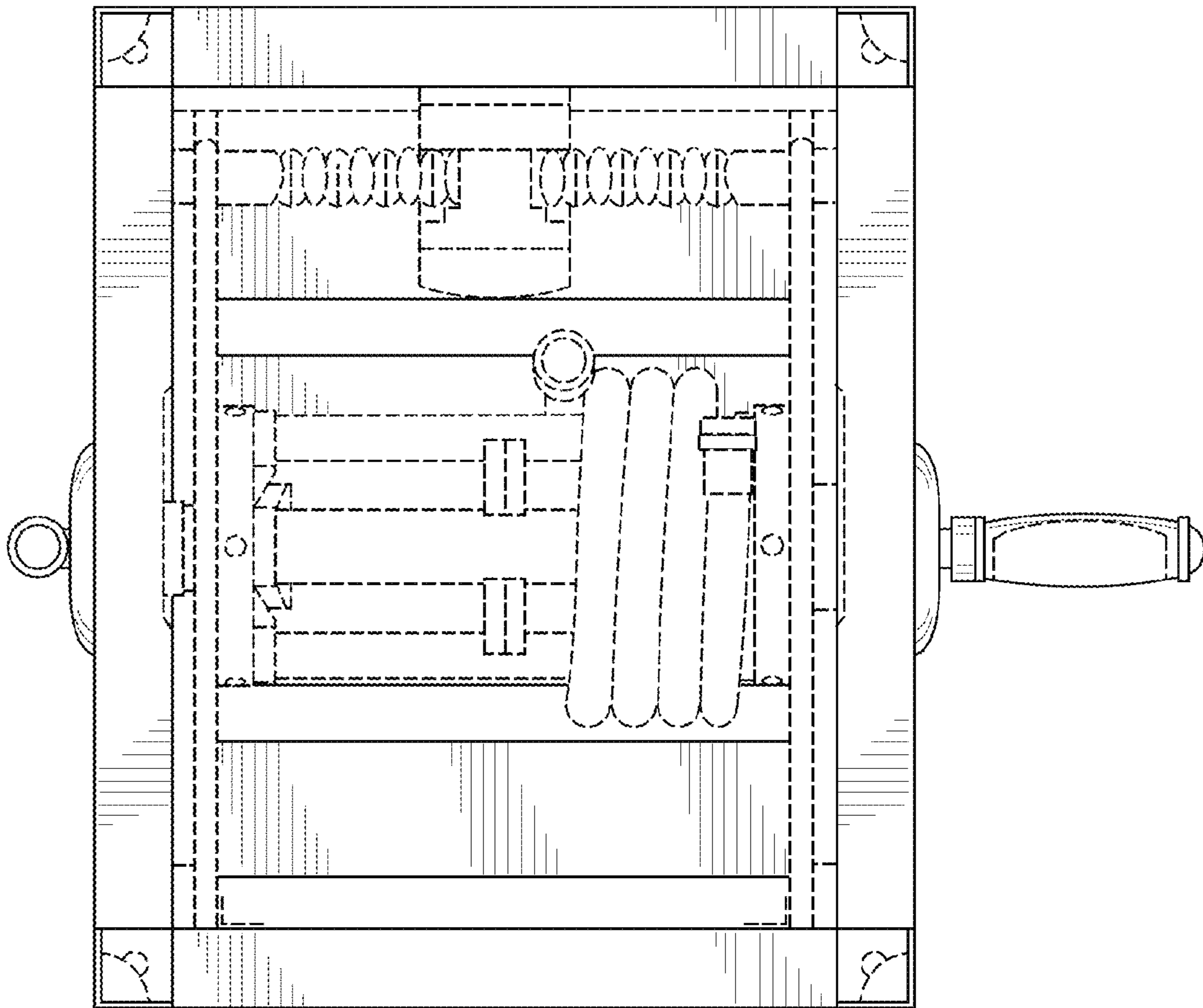


FIG. 6

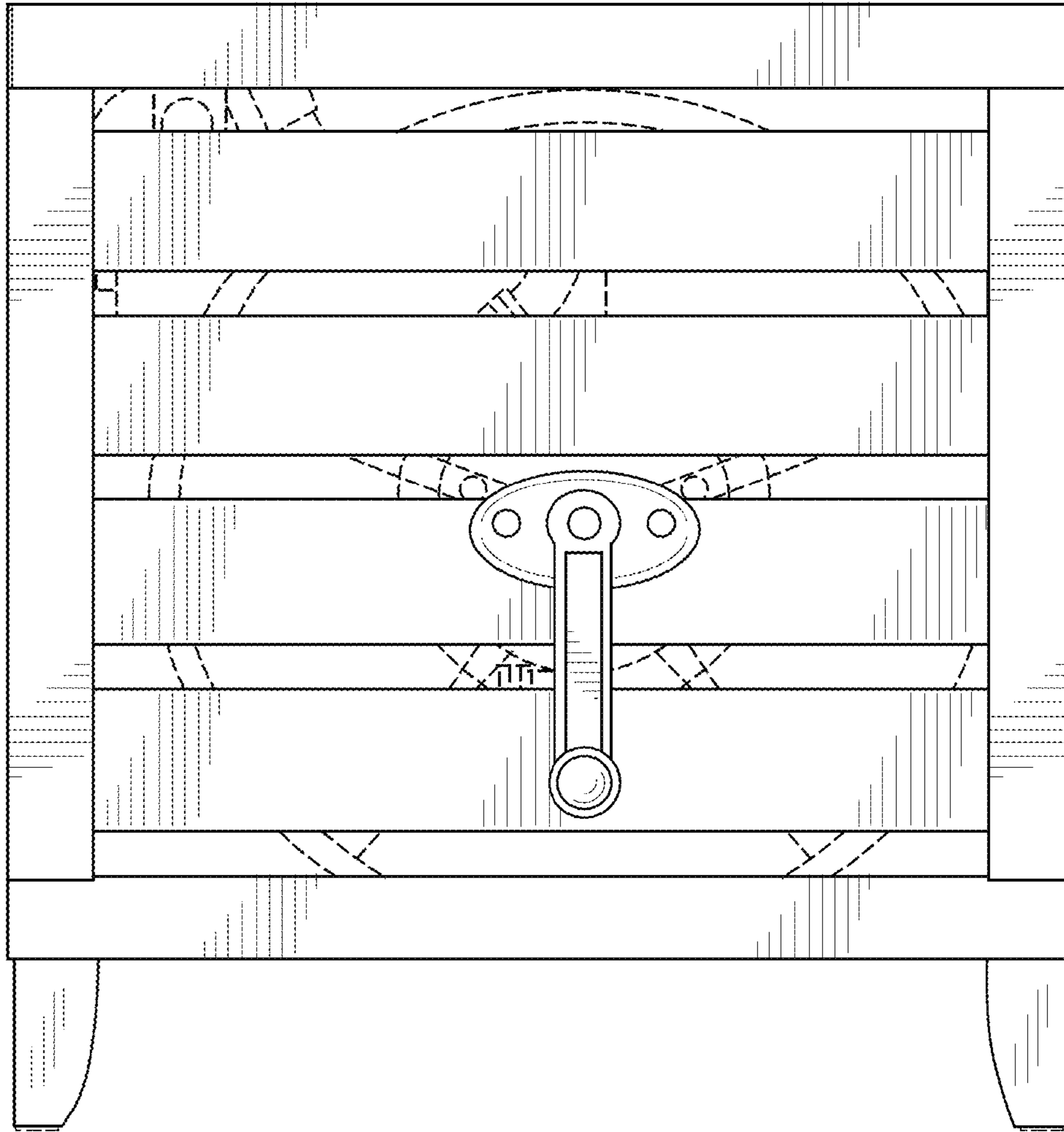


FIG. 7

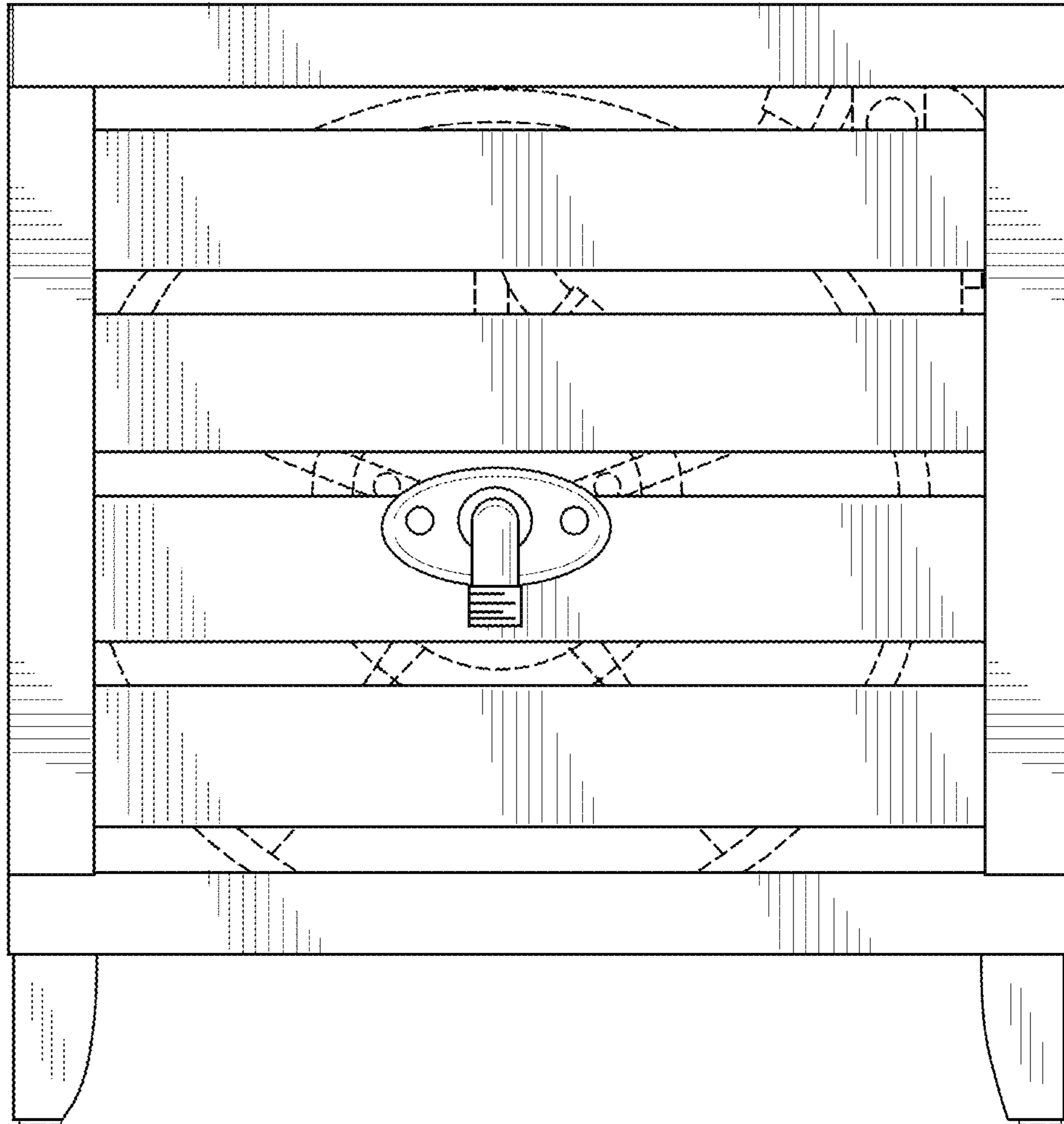


FIG. 8