



US00D702536S

(12) **United States Design Patent**  
**Penumatcha et al.**

(10) **Patent No.:** **US D702,536 S**  
(45) **Date of Patent:** **\*\* Apr. 15, 2014**

(54) **FIBER OPTIC/ELECTRICAL CABLE REEL ASSEMBLY**

(71) Applicant: **Applied Optical Systems, Inc.**, Plano, TX (US)

(72) Inventors: **Venkata R. Penumatcha**, Plano, TX (US); **Vincent A. Wouters**, McKinney, TX (US); **Rodney M. Flower**, Richradson, TX (US)

(73) Assignee: **Applied Optical Systems, Inc.**, Plano, TX (US)

(\*\*) Term: **14 Years**

(21) Appl. No.: **29/465,268**

(22) Filed: **Aug. 26, 2013**

**Related U.S. Application Data**

(63) Continuation of application No. 13/918,446, filed on Jun. 14, 2013, which is a continuation of application No. 13/291,916, filed on Nov. 8, 2011, now Pat. No. 8,480,023, and a continuation of application No. 12/364,485, filed on Feb. 2, 2009, now Pat. No. 8,074,916.

(51) **LOC (10) Cl.** ..... **08-05**

(52) **U.S. Cl.**  
USPC ..... **D8/358**

(58) **Field of Classification Search**  
USPC ..... D8/358, 359; 242/395, 405.3, 118.7, 242/542.4, 160.4, 366; 137/355.26; D14/484; D3/24; D15/16; D12/501, D12/204; D22/14, 137

See application file for complete search history.

(56) **References Cited**

U.S. PATENT DOCUMENTS

|           |      |         |                |       |           |
|-----------|------|---------|----------------|-------|-----------|
| 928,007   | A *  | 7/1909  | Thompson       | ..... | 242/396.7 |
| 1,656,032 | A *  | 1/1928  | Birkholtz      | ..... | 242/118.7 |
| 2,446,525 | A *  | 8/1948  | Castellan      | ..... | 242/366.2 |
| D240,192  | S *  | 6/1976  | Balmar         | ..... | D14/484   |
| 4,903,911 | A *  | 2/1990  | Sepka          | ..... | 242/399   |
| D341,770  | S *  | 11/1993 | Spear et al.   | ..... | D8/359    |
| D436,520  | S *  | 1/2001  | Bulman         | ..... | D8/358    |
| 6,715,710 | B1 * | 4/2004  | Russell et al. | ..... | 242/605   |
| D491,048  | S *  | 6/2004  | Cornier et al. | ..... | D8/358    |
| 6,991,197 | B2 * | 1/2006  | Cox et al.     | ..... | 242/614.1 |
| D545,561  | S *  | 7/2007  | Vandecasteele  | ..... | D3/24     |
| D557,118  | S *  | 12/2007 | Linginfelter   | ..... | D8/358    |

OTHER PUBLICATIONS

<http://www.youtube.com/watch?v=6QVW9KIVY3U>.\*  
<http://www.azooptics.com/news.aspx?NewsID=15086>.\*

\* cited by examiner

*Primary Examiner* — Robert M Spear  
*Assistant Examiner* — Eliza Bennett-Hattan

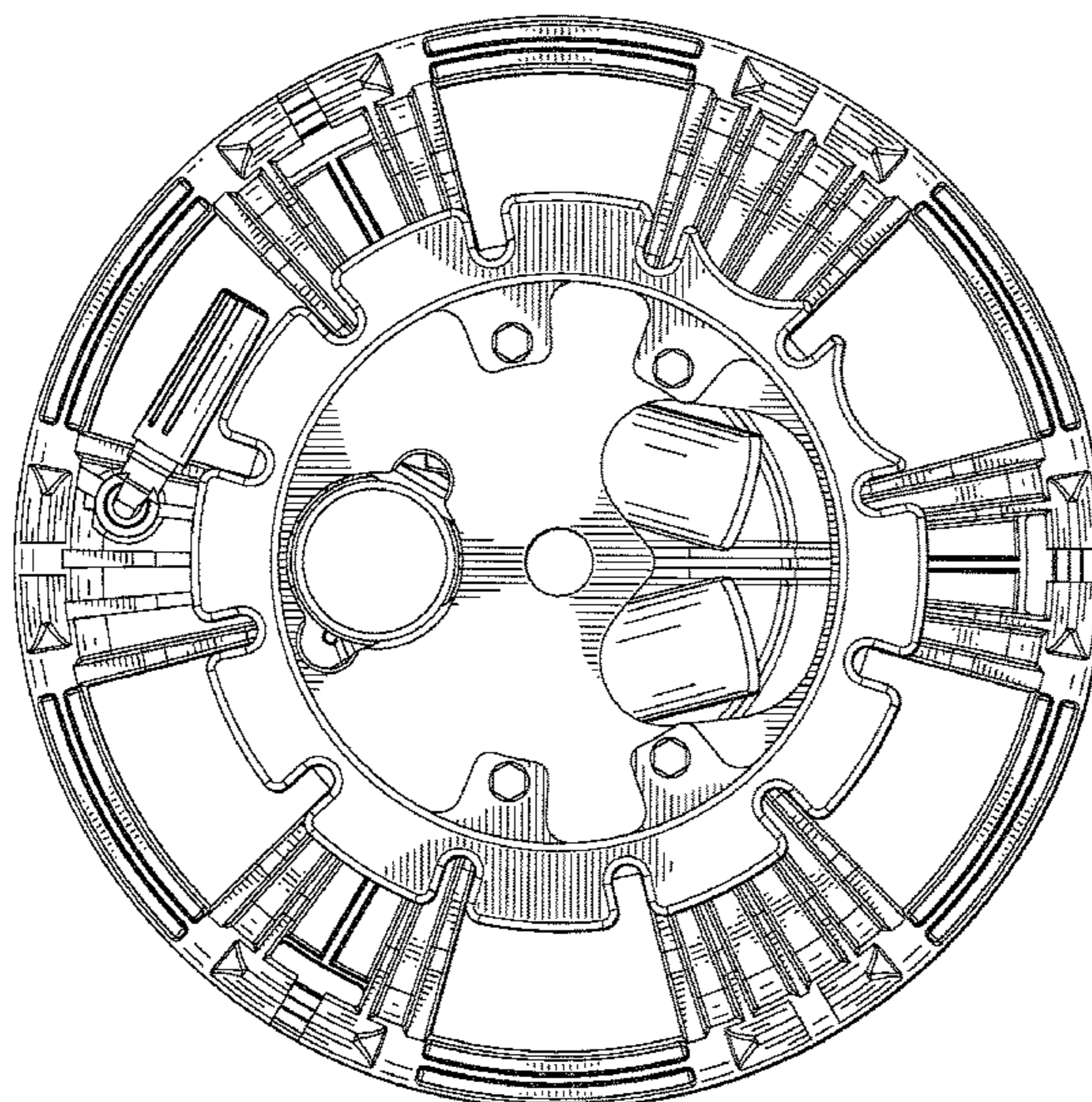
(57) **CLAIM**

The ornamental design for a fiber optic/electrical cable reel assembly, as shown and described.

**DESCRIPTION**

FIG. 1 is a top view of the fiber optic/electrical cable reel assembly according to the present design;  
FIG. 2 is a side view of the fiber optic/electrical cable reel assembly of FIG. 1 and FIG. 8;  
FIG. 3 is a perspective view of the top of the fiber optic/electrical cable reel assembly of FIG. 1; and,  
FIG. 4 is a perspective view of the bottom of the fiber optic/electrical cable reel assembly of FIG. 1.

**1 Claim, 3 Drawing Sheets**



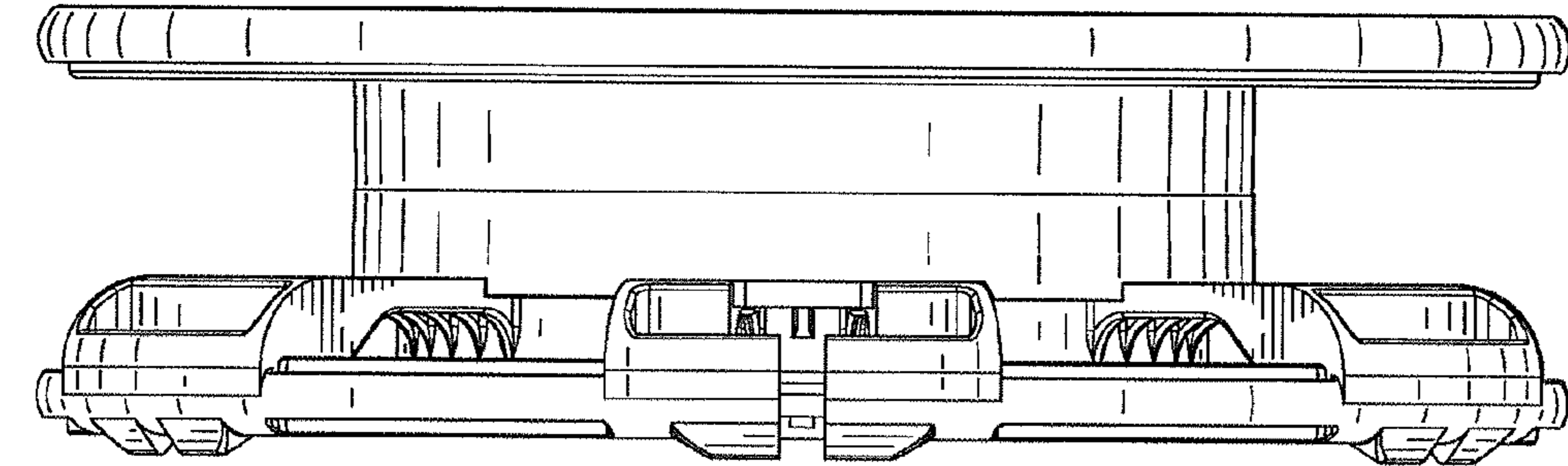


FIG. 2

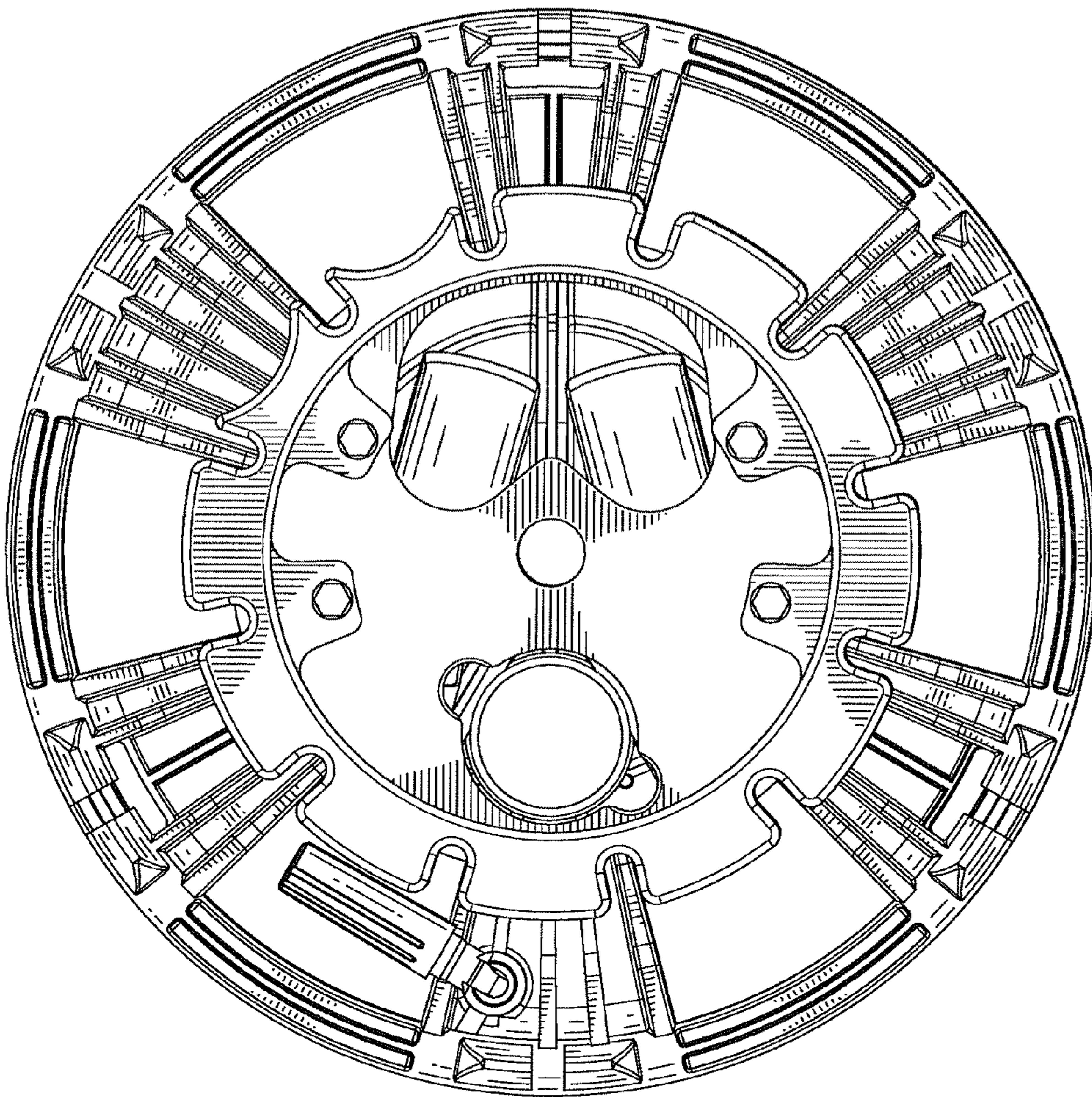
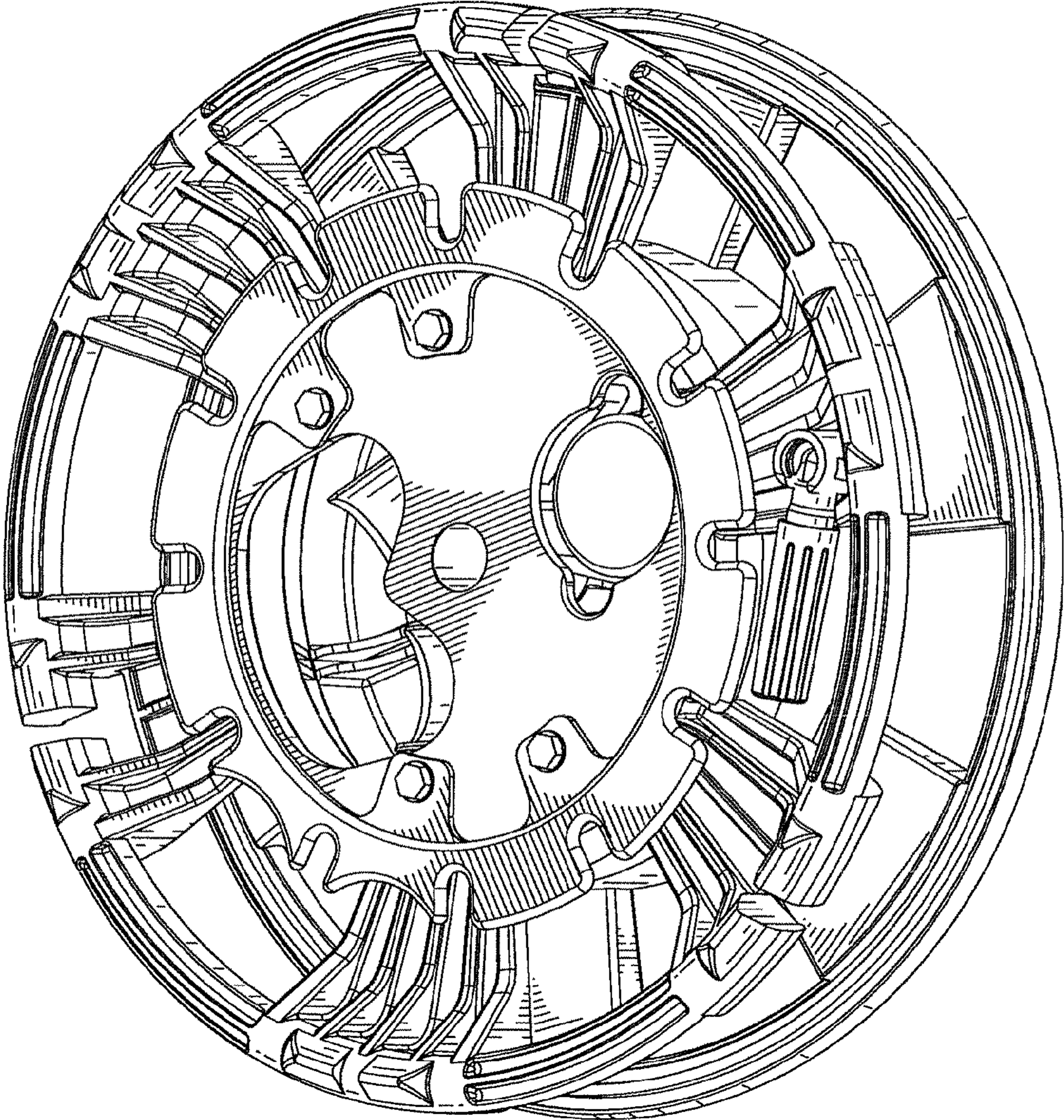


FIG. 1

FIG. 3



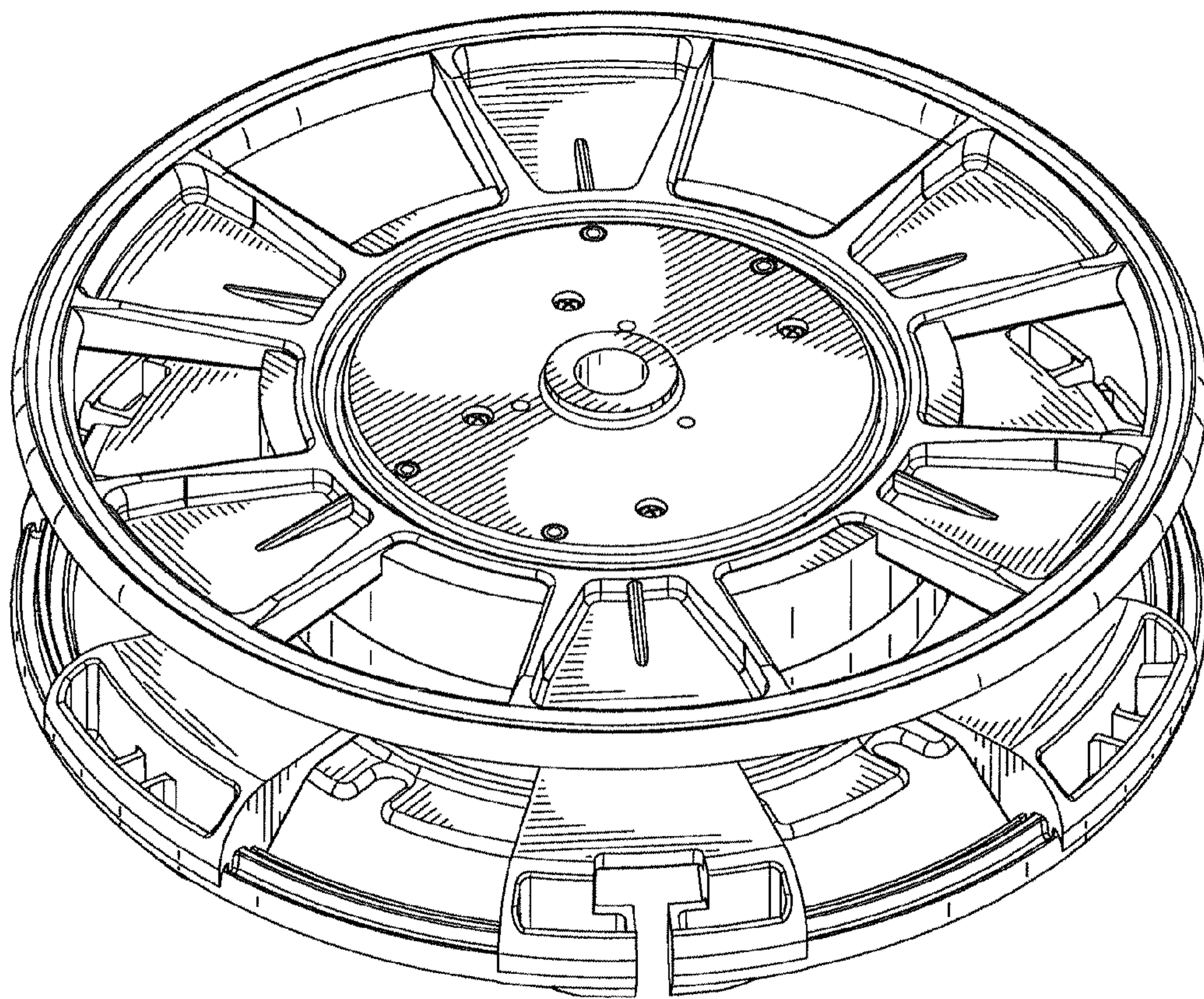


FIG. 4