



US00D702533S

(12) **United States Design Patent**  
**Noturno**

(10) **Patent No.:** **US D702,533 S**

(45) **Date of Patent:** **\*\* Apr. 15, 2014**

(54) **TRUSS SPACER**

(71) Applicant: **Tallmadge Spinning & Metal Company, Akron, OH (US)**

(72) Inventor: **Sam P. Noturno, Canton, OH (US)**

(73) Assignee: **Tallmadge Spinning & Metal Company, Akron, OH (US)**

(\*\*) Term: **14 Years**

(21) Appl. No.: **29/457,073**

(22) Filed: **Jun. 6, 2013**

**Related U.S. Application Data**

(63) Continuation of application No. 13/297,827, filed on Nov. 16, 2011, now abandoned.

(51) **LOC (10) Cl.** ..... **08-05**

(52) **U.S. Cl.**  
USPC ..... **D8/354**

(58) **Field of Classification Search**  
USPC ..... D8/354, 349, 366, 371, 382, 384, 394,  
D8/499, 373, 380; 52/639, 643, 677,  
52/690-697, 712, DIG. 6; 411/466  
See application file for complete search history.

(56) **References Cited**

**U.S. PATENT DOCUMENTS**

1,514,577 A \* 11/1924 Burrell ..... 52/695  
3,778,952 A \* 12/1973 Soucy ..... 52/667  
4,246,736 A 1/1981 Kovar et al.  
D272,886 S \* 3/1984 Holcombe ..... D8/380  
4,490,956 A 1/1985 Palacio et al.  
4,704,829 A \* 11/1987 Baumker, Jr. .... 52/127.2  
D293,416 S \* 12/1987 Krueger ..... D8/373  
D318,785 S \* 8/1991 Dean ..... D8/373

D340,856 S \* 11/1993 McHugh ..... D8/354  
5,606,837 A 3/1997 Holizlander  
5,884,448 A 3/1999 Pellock  
5,899,042 A \* 5/1999 Pellock ..... 52/696

(Continued)

*Primary Examiner* — Mark Goodwin

(74) *Attorney, Agent, or Firm* — Sand & Sebolt

(57) **CLAIM**

The ornamental design for a truss spacer, as shown and described.

**DESCRIPTION**

FIG. 1 is a top perspective view of the truss spacer showing my new design.

FIG. 2 is an enlarged perspective view of the encircled portion of FIG. 1 showing one end of the truss spacer generally from above, and also serves as a perspective view of the other end of the truss spacer.

FIG. 3 is an enlarged top plan view of the truss spacer with a central portion of the truss spacer broken away.

FIG. 4 is an enlarged bottom plan view of the truss spacer with the central portion of the truss spacer broken away.

FIG. 5 is an enlarged side elevational view of the truss spacer with the central portion of the truss spacer broken away.

FIG. 6 is an end elevational view of the truss spacer which is taken on line 6-6 of FIG. 5 and serves as the end elevational view taken from either end of the truss spacer.

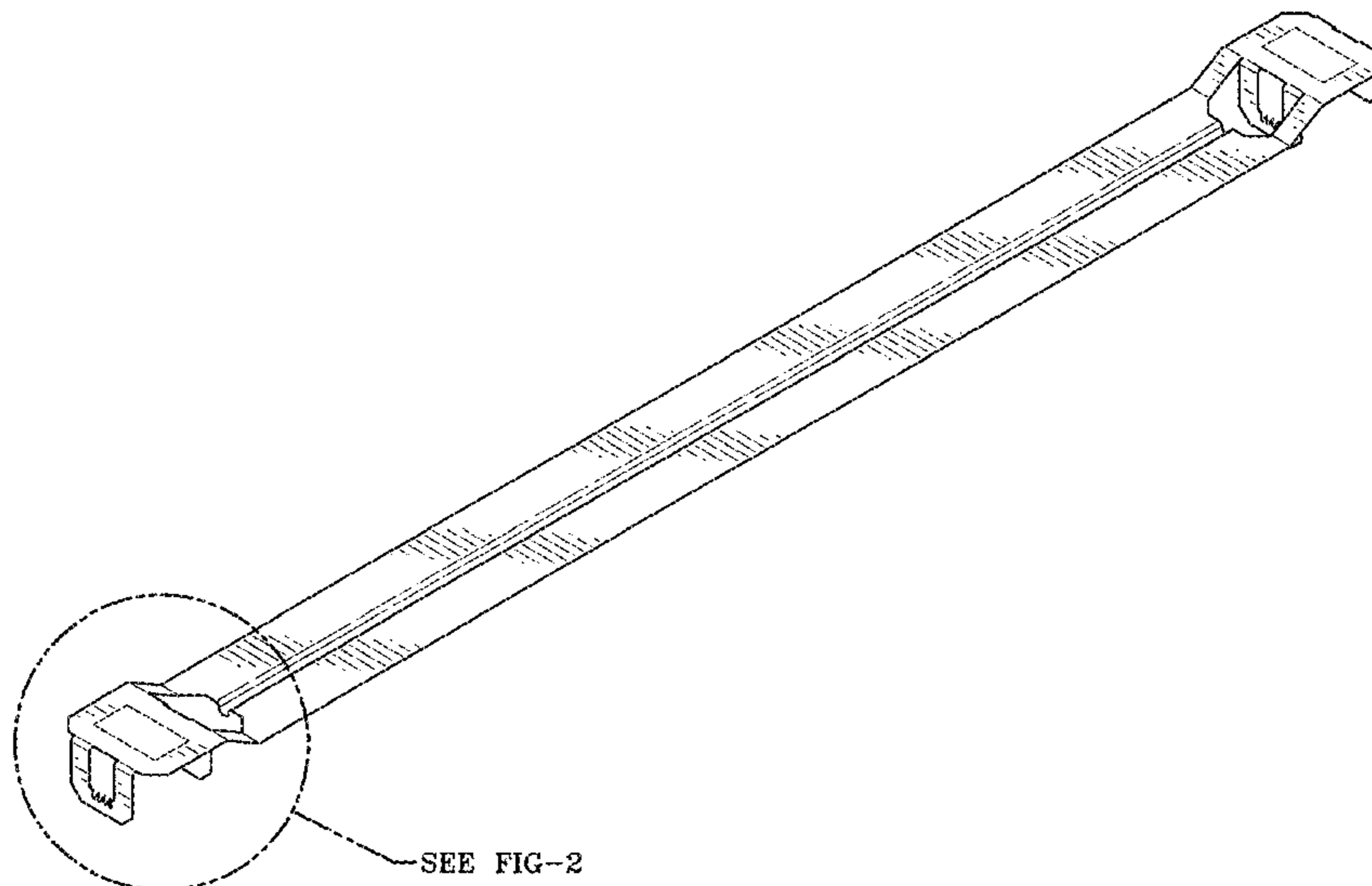
FIG. 7 is a sectional view of the truss spacer taken on line 7-7 of FIG. 5.

FIG. 8 is a sectional view of the truss spacer taken on line 8-8 of FIG. 5; and,

FIG. 9 is a sectional view of the truss spacer taken on line 9-9 of FIG. 5.

The broken line showing of the rectangular opening is included for the purpose of illustrating portions of the truss spacer and forms no part of the claimed design.

**1 Claim, 6 Drawing Sheets**



(56)

**References Cited**

U.S. PATENT DOCUMENTS

|           |      |        |                 |       |        |              |      |         |                 |       |        |
|-----------|------|--------|-----------------|-------|--------|--------------|------|---------|-----------------|-------|--------|
| 6,170,218 | B1 * | 1/2001 | Shahnazarian    | ..... | 52/713 | 7,213,377    | B1 * | 5/2007  | Sackett         | ..... | 52/696 |
| 6,354,055 | B1   | 3/2002 | Shaw et al.     |       |        | D587,099     | S *  | 2/2009  | Brizendine      | ..... | D8/354 |
| 6,418,695 | B1   | 7/2002 | Daudet et al.   |       |        | 7,617,612    | B2 * | 11/2009 | Brizendine      | ..... | 33/613 |
| 6,993,882 | B2   | 2/2006 | Crawford et al. |       |        | 7,805,910    | B2 * | 10/2010 | Whale et al.    | ..... | 52/837 |
|           |      |        |                 |       |        | 8,443,568    | B2 * | 5/2013  | Lin             | ..... | 52/690 |
|           |      |        |                 |       |        | 2002/0092259 | A1 * | 7/2002  | Crawford et al. | ..... | 52/696 |
|           |      |        |                 |       |        | 2012/0180422 | A1 * | 7/2012  | Noturno         | ..... | 52/696 |

\* cited by examiner

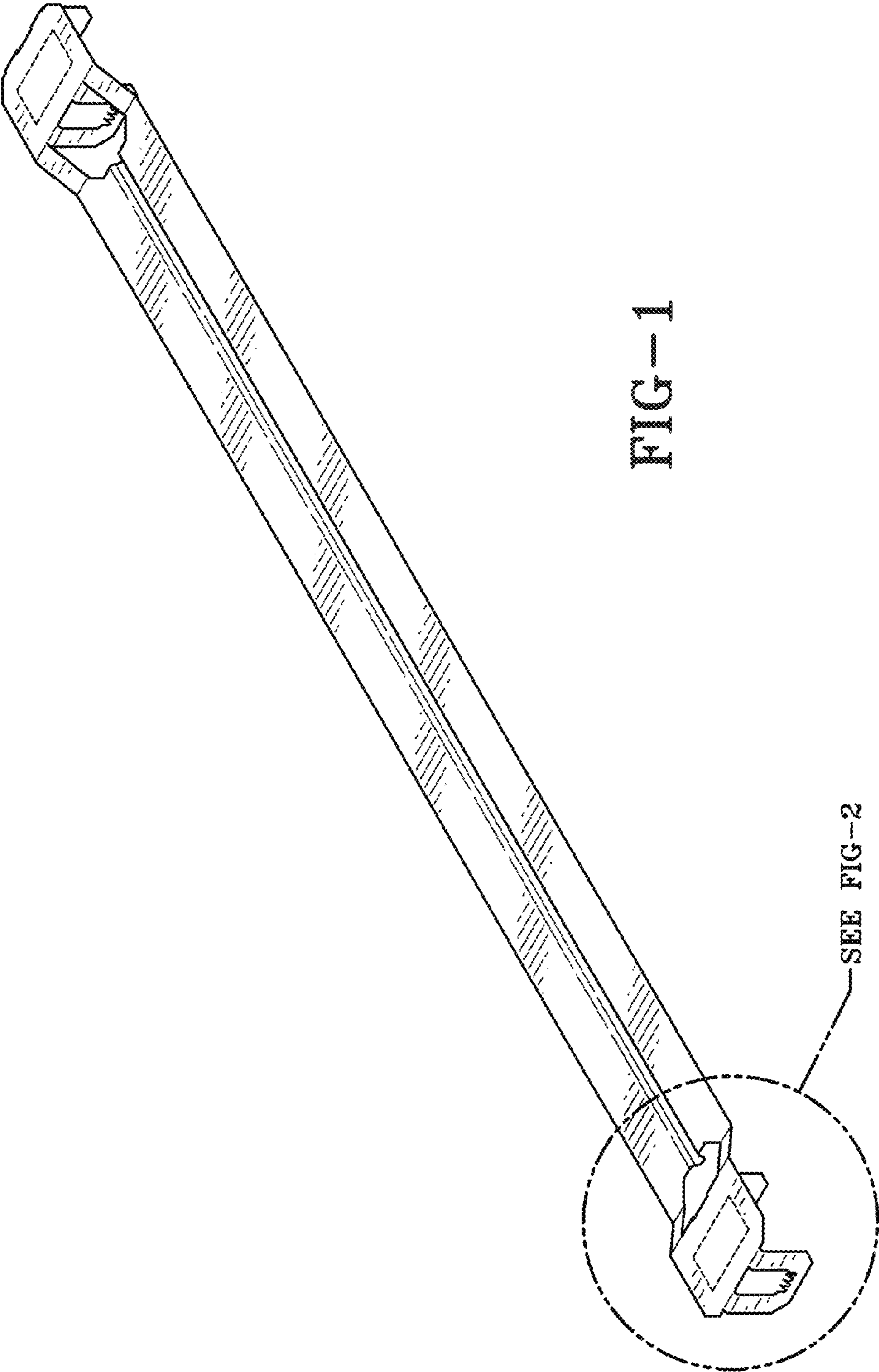


FIG--1

SEE FIG--2

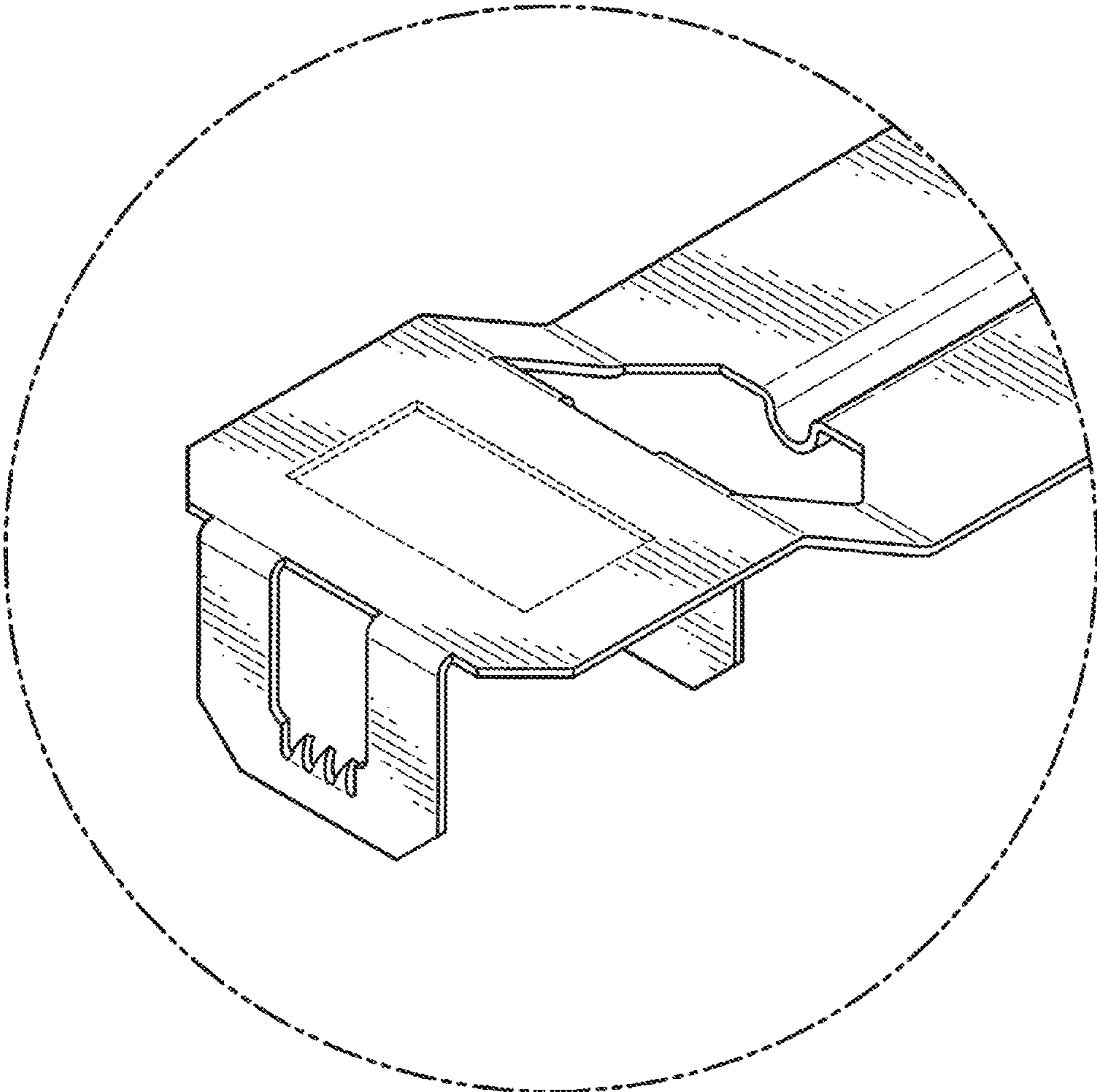


FIG-2

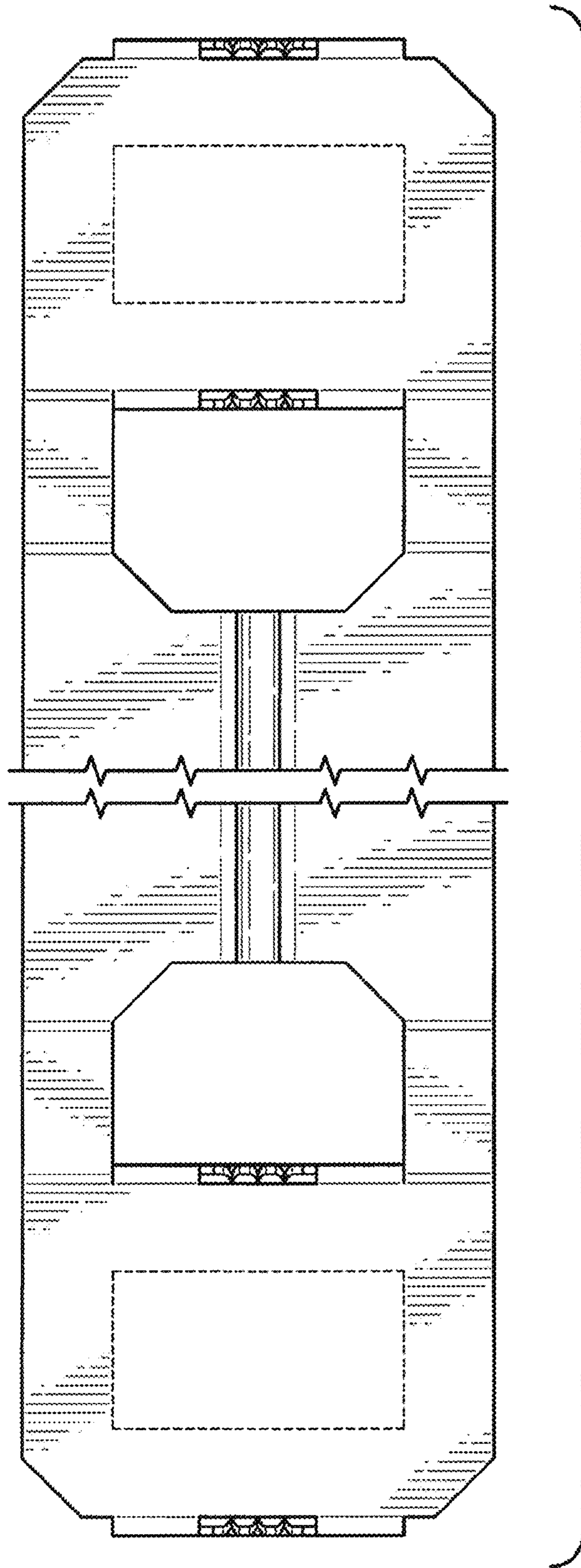


FIG-3

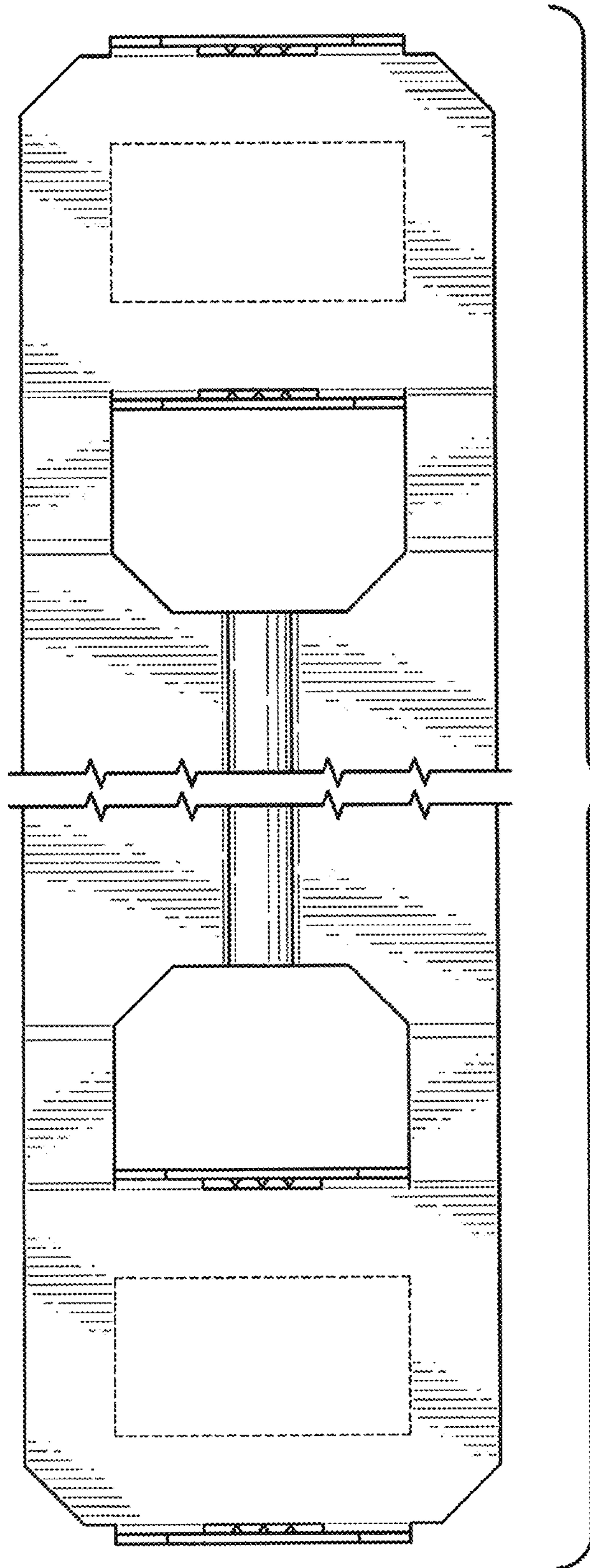


FIG--4

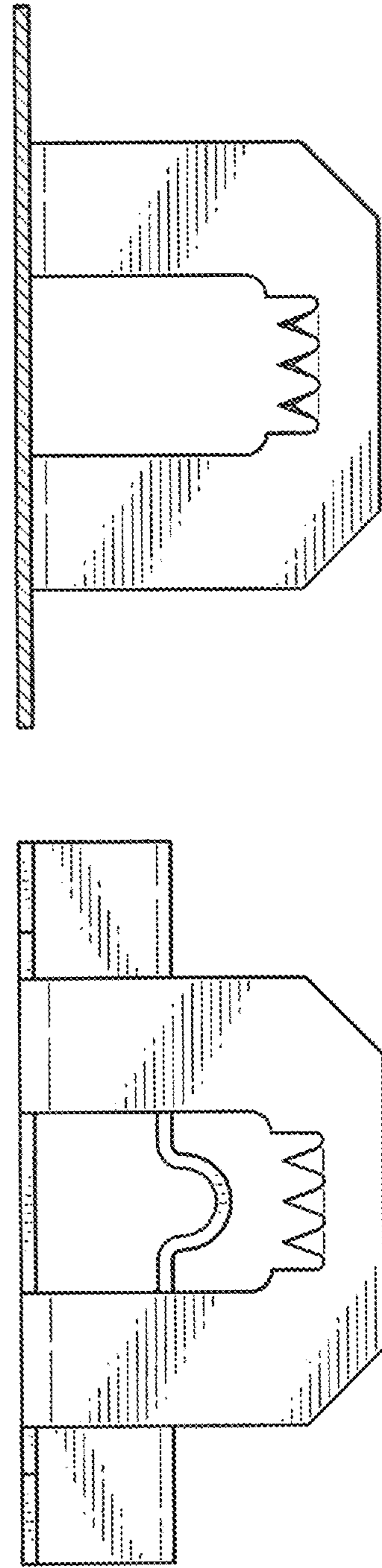
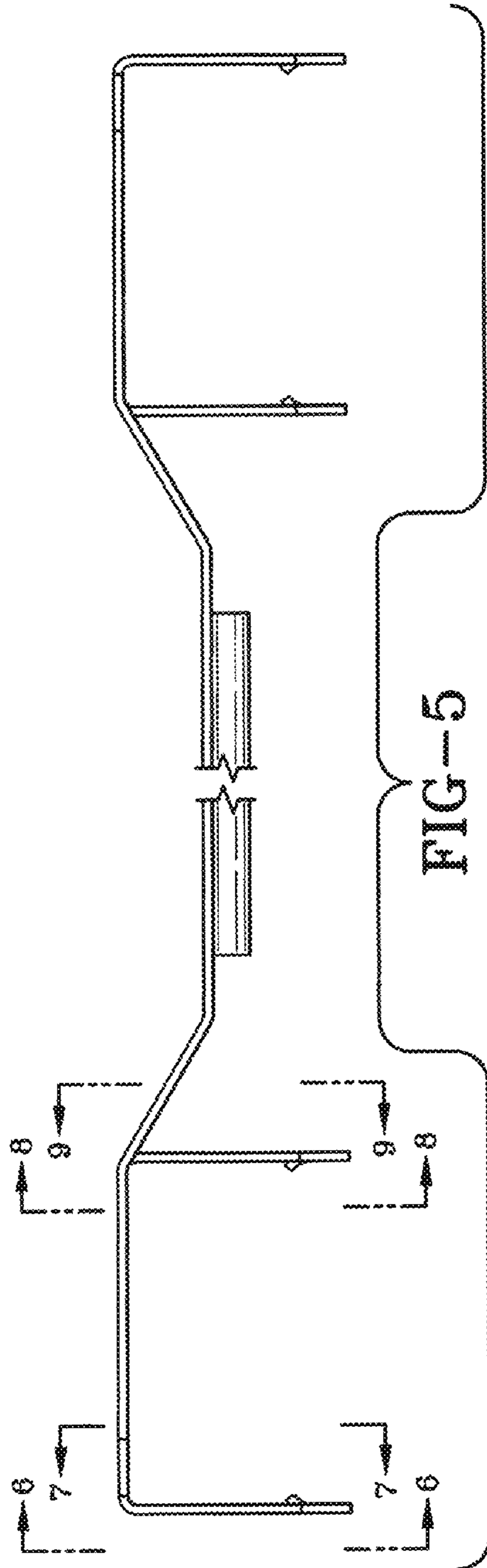


FIG-7

FIG-6

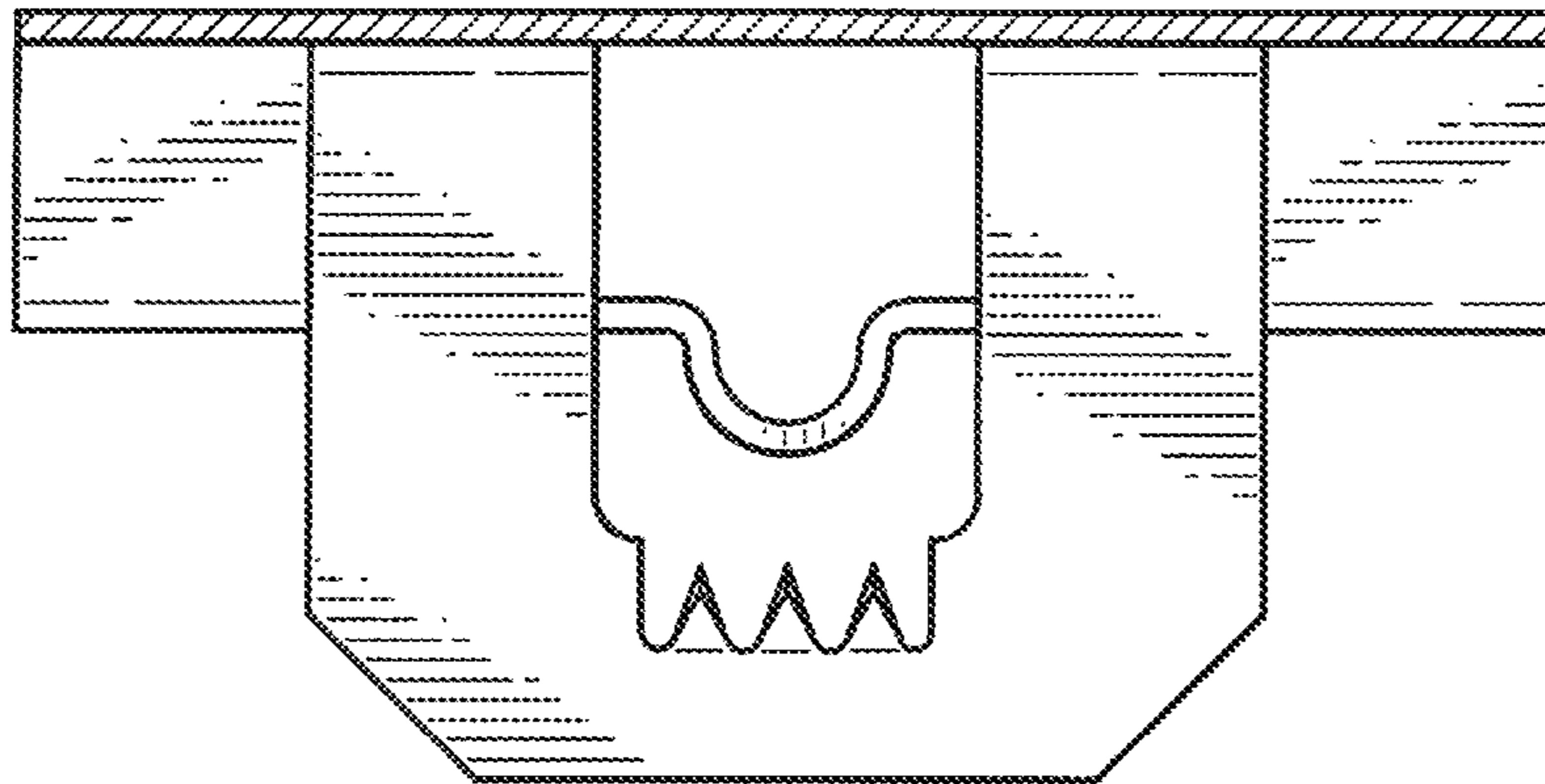


FIG-8

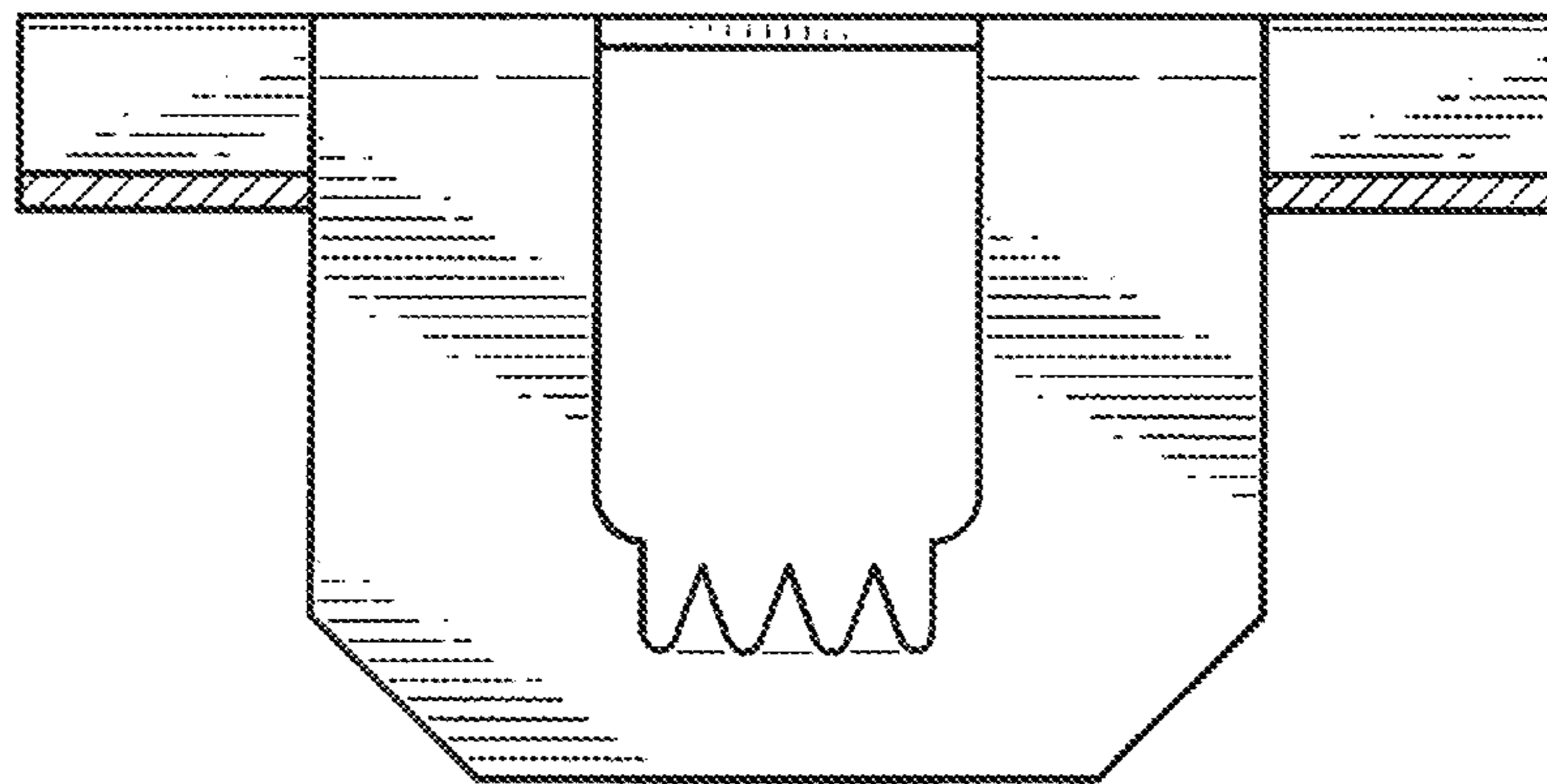


FIG-9