



US00D702532S

(12) **United States Design Patent**
Garrido et al.

(10) **Patent No.:** **US D702,532 S**
(45) **Date of Patent:** **** Apr. 15, 2014**

(54) **BRACKET FOR AN INTERFACE CONNECTOR**

(75) Inventors: **Hernando Garrido**, Edinburg, TX (US);
Buffalo Charles Cave, Walnut Creek, CA (US)

(73) Assignee: **Fresenius Medical Care Holdings, Inc.**,
Waltham, MA (US)

(**) Term: **14 Years**

(21) Appl. No.: **29/418,138**

(22) Filed: **Apr. 12, 2012**

(51) **LOC (10) Cl.** **08-05**

(52) **U.S. Cl.**
USPC **D8/354**

(58) **Field of Classification Search**
USPC D8/349, 354, 380, 382, 356; D25/133;
248/519, 300, 237, 309.1; 174/45 R,
174/46, 40 R, 45 TD, 40 CCC, 43, 493;
220/251, 284; 362/431; 411/402;
52/188, 182, 191, 702, 712, 745.06,
52/189, 506.5, 586.1; 29/428, 525.01,
29/464; 249/14, 205, 208; 403/167, 169
See application file for complete search history.

(56) **References Cited**

U.S. PATENT DOCUMENTS

D361,709 S * 8/1995 Fortenbery D8/349
D376,529 S * 12/1996 Davies et al. D8/349

D379,609 S * 6/1997 Nease, III D12/162
D387,970 S * 12/1997 Enslin D8/349
D439,135 S * 3/2001 Elmer D8/349
D457,052 S * 5/2002 Snyder D8/349
D463,729 S * 10/2002 Wathen et al. D8/349
D464,557 S * 10/2002 Alejandro D8/349
D472,792 S * 4/2003 Callahan et al. D8/349
D472,793 S * 4/2003 Callahan et al. D8/349
D483,650 S * 12/2003 Squillante et al. D8/349
D548,571 S * 8/2007 Bigelow et al. D8/349
D557,112 S * 12/2007 Franssen D8/349
D574,222 S * 8/2008 Golias et al. D8/349
D615,847 S * 5/2010 Tezak et al. D8/349
D622,131 S * 8/2010 Tezak et al. D8/349
D663,190 S * 7/2012 Mota et al. D8/349

* cited by examiner

Primary Examiner — Mark Goodwin

(74) *Attorney, Agent, or Firm* — Fish & Richardson P.C.

(57) **CLAIM**

The ornamental design for a bracket for an interface connector, substantially as shown and described.

DESCRIPTION

FIG. 1 is a perspective view of a bracket for an interface connector showing our new design.

FIG. 2 is a front view thereof.

FIG. 3 is a rear view thereof.

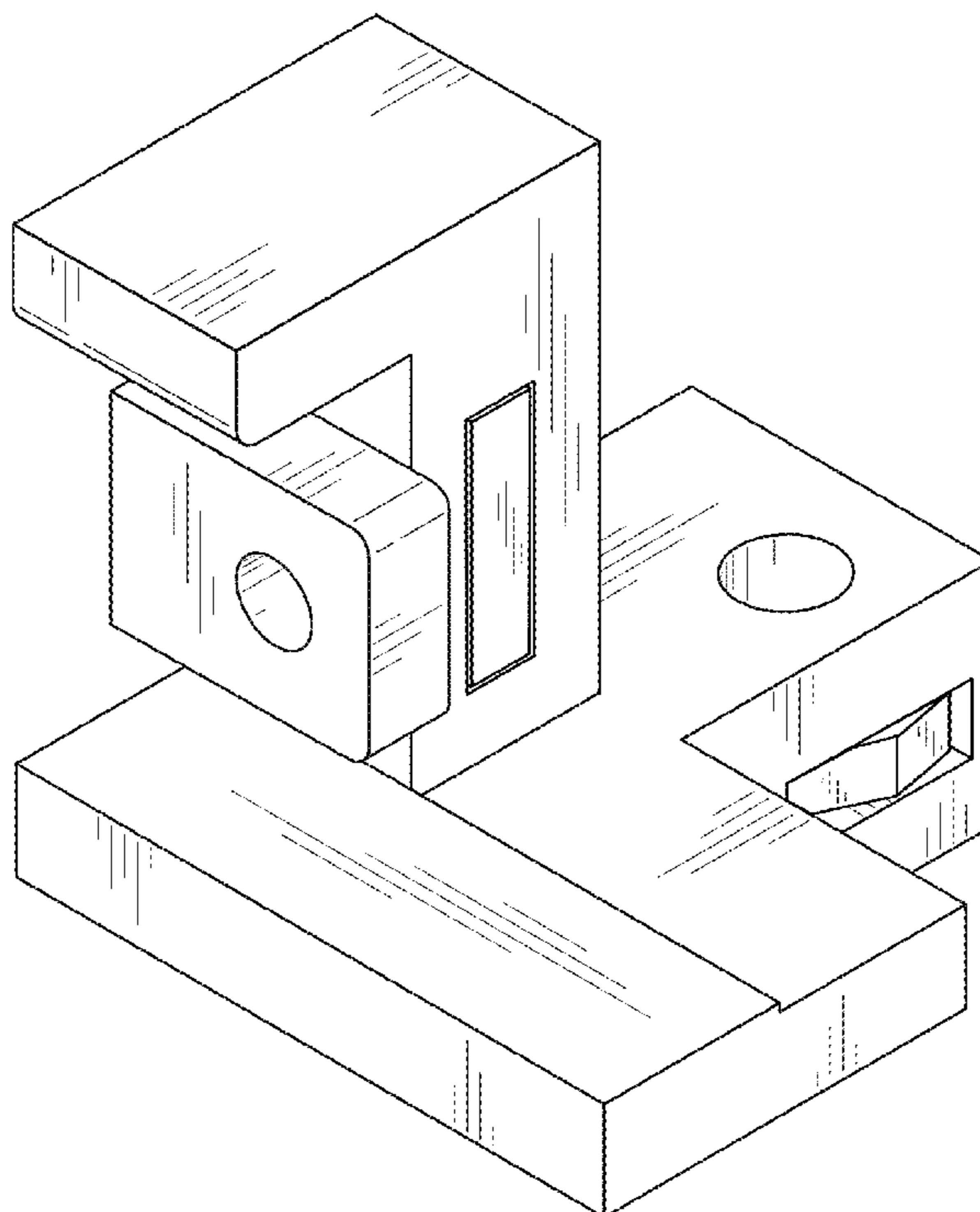
FIG. 4 is a first side view thereof.

FIG. 5 is an opposite, second side view thereof.

FIG. 6 is a top plan view thereof; and,

FIG. 7 is a bottom plan view thereof.

1 Claim, 4 Drawing Sheets



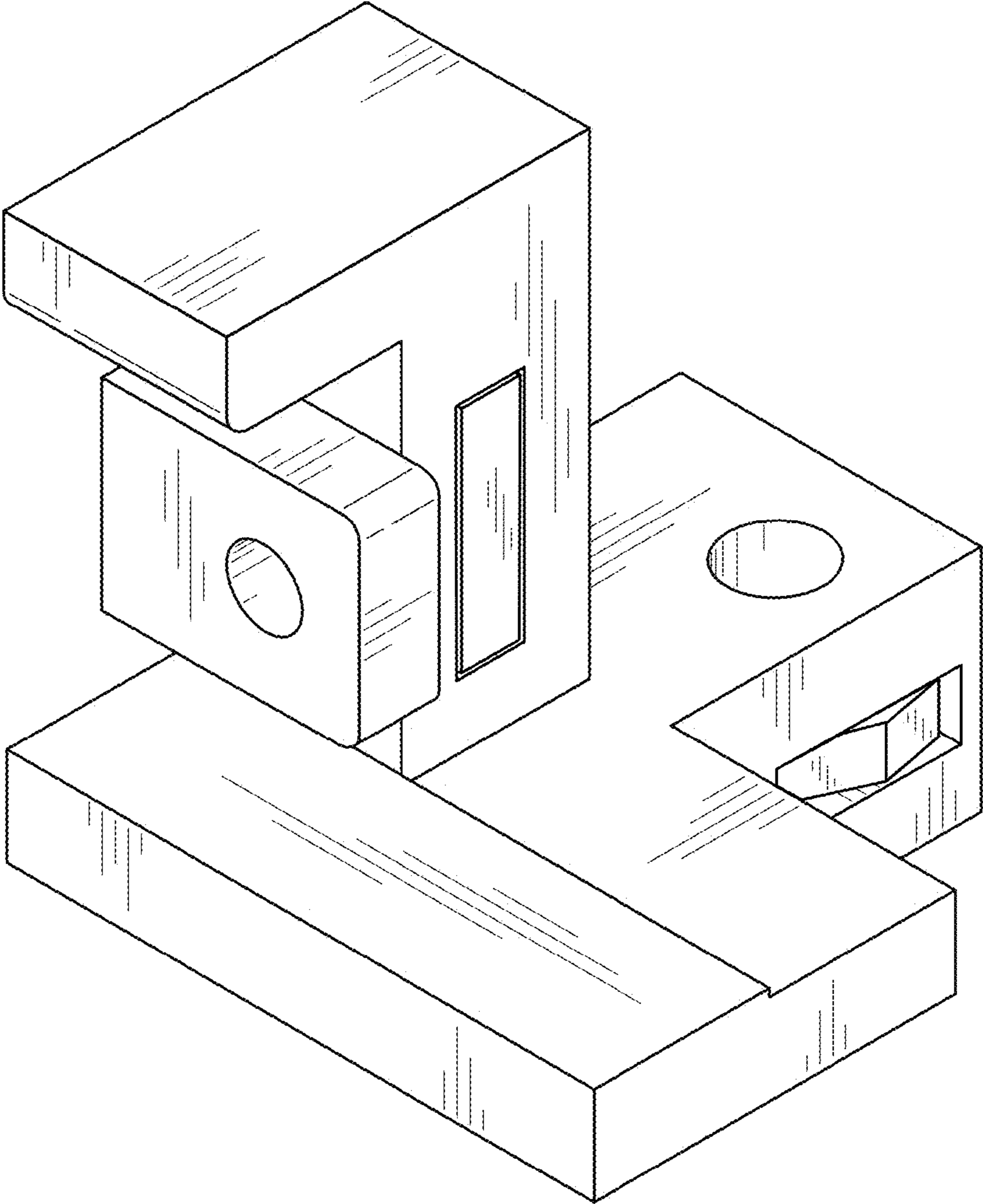


FIG. 1

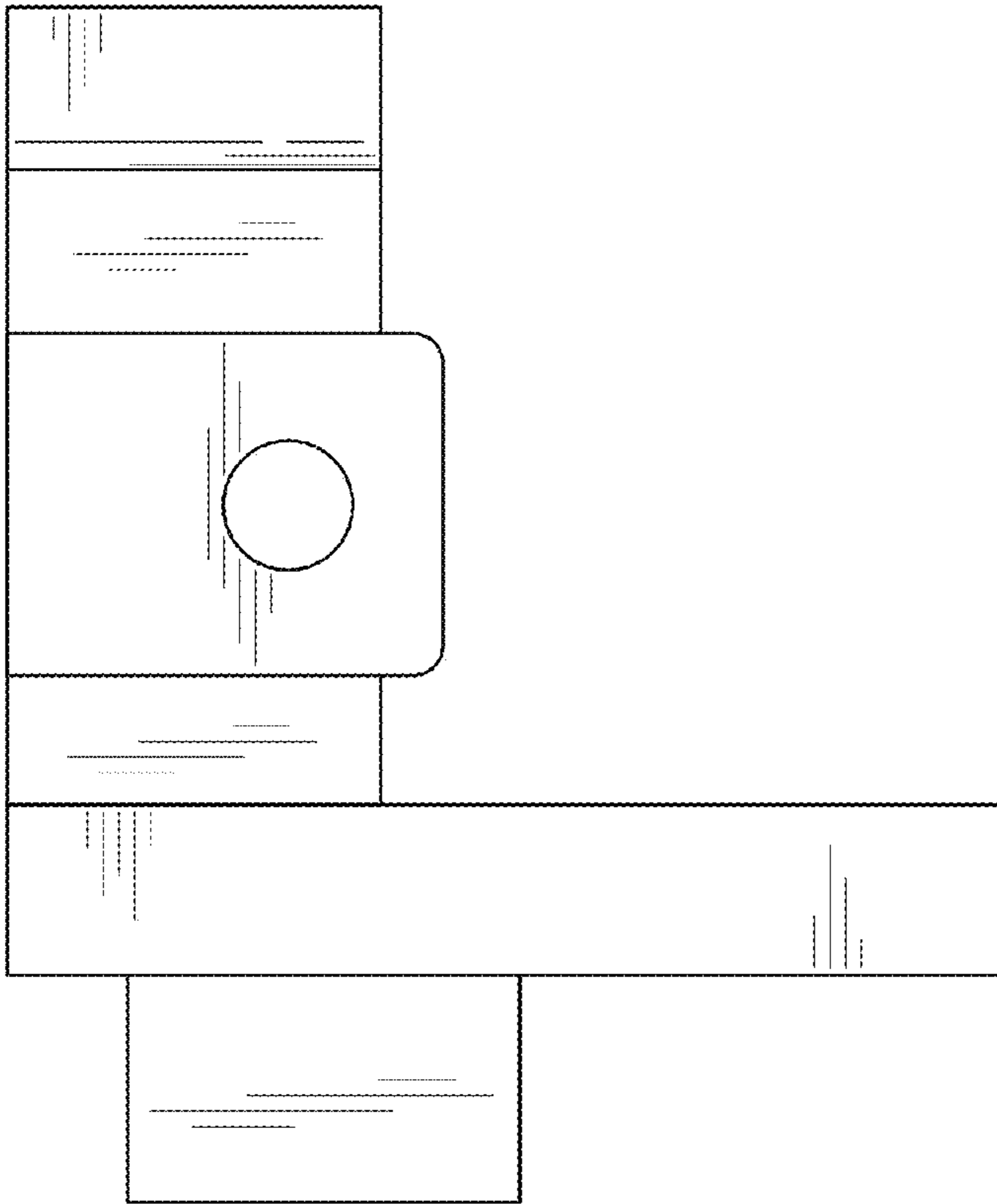


FIG. 2

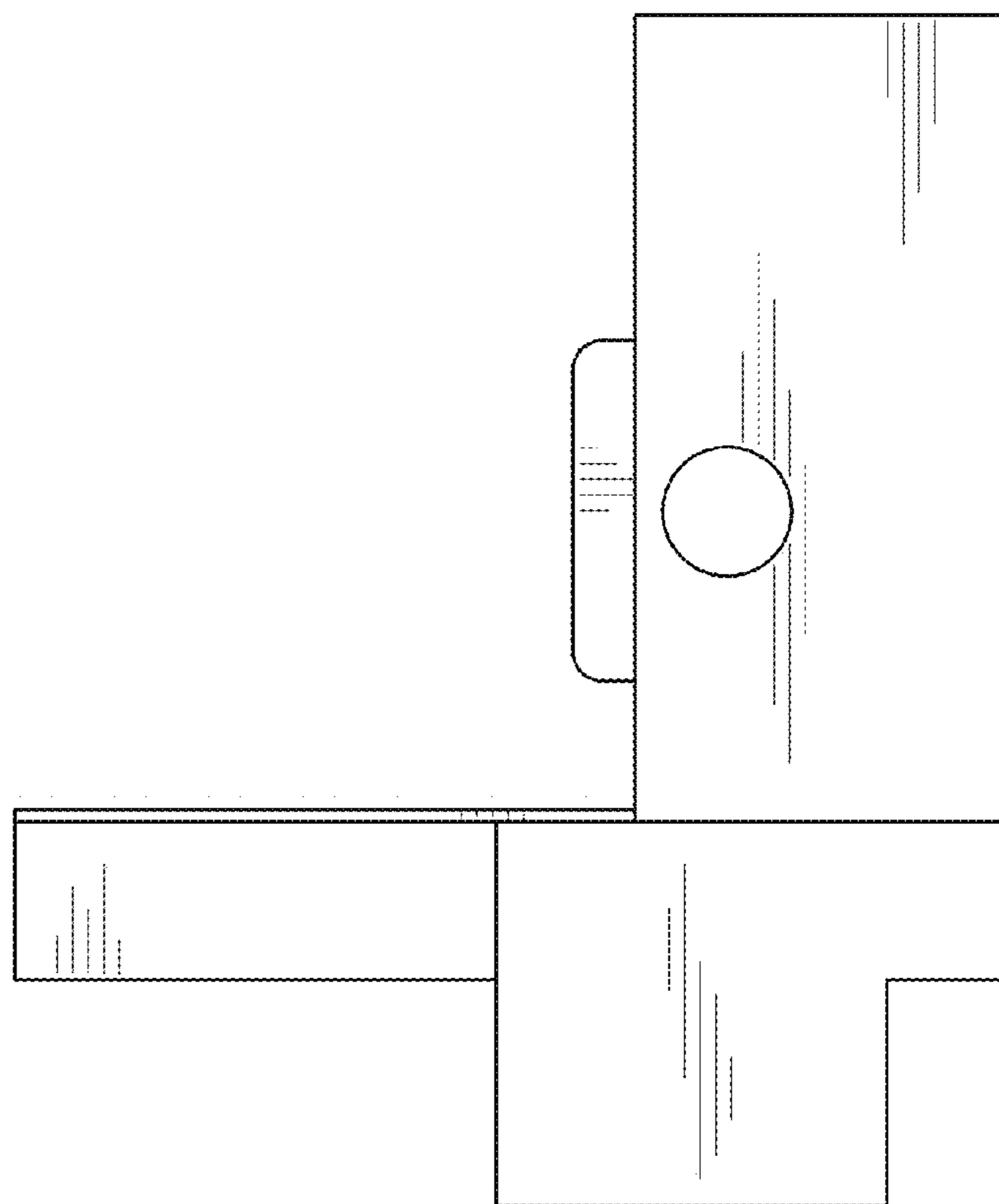


FIG. 3

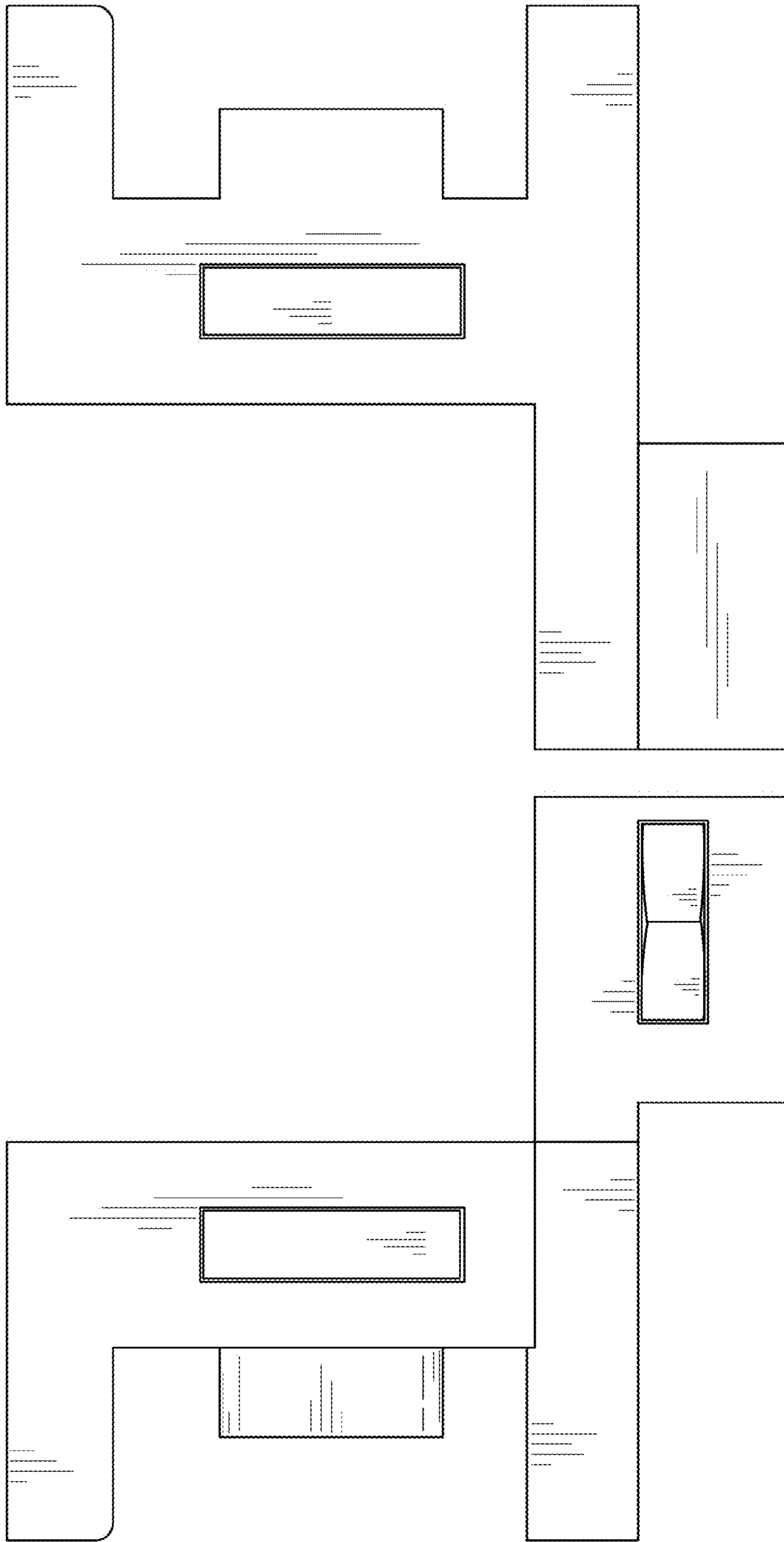


FIG. 5

FIG. 4

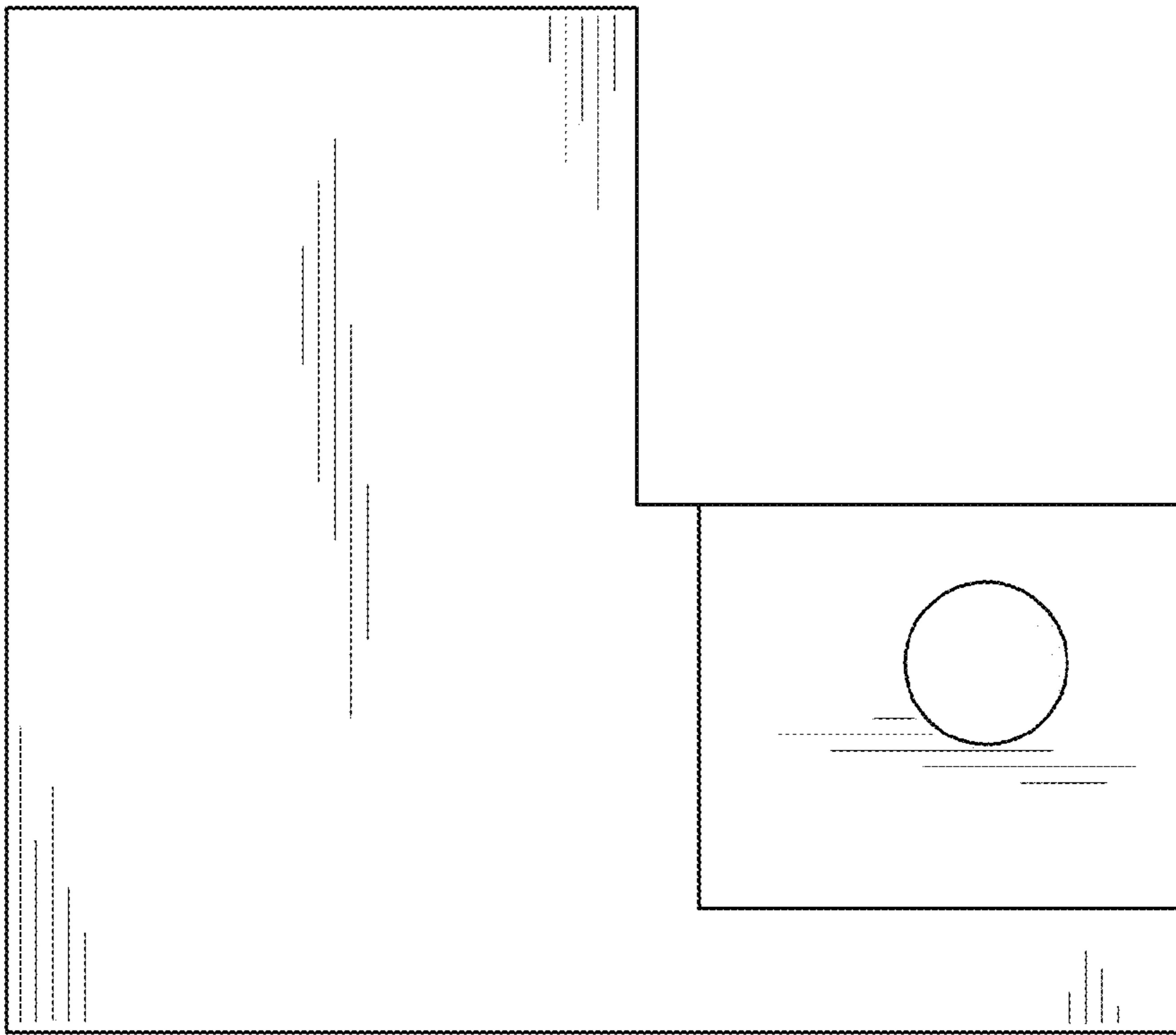


FIG. 7

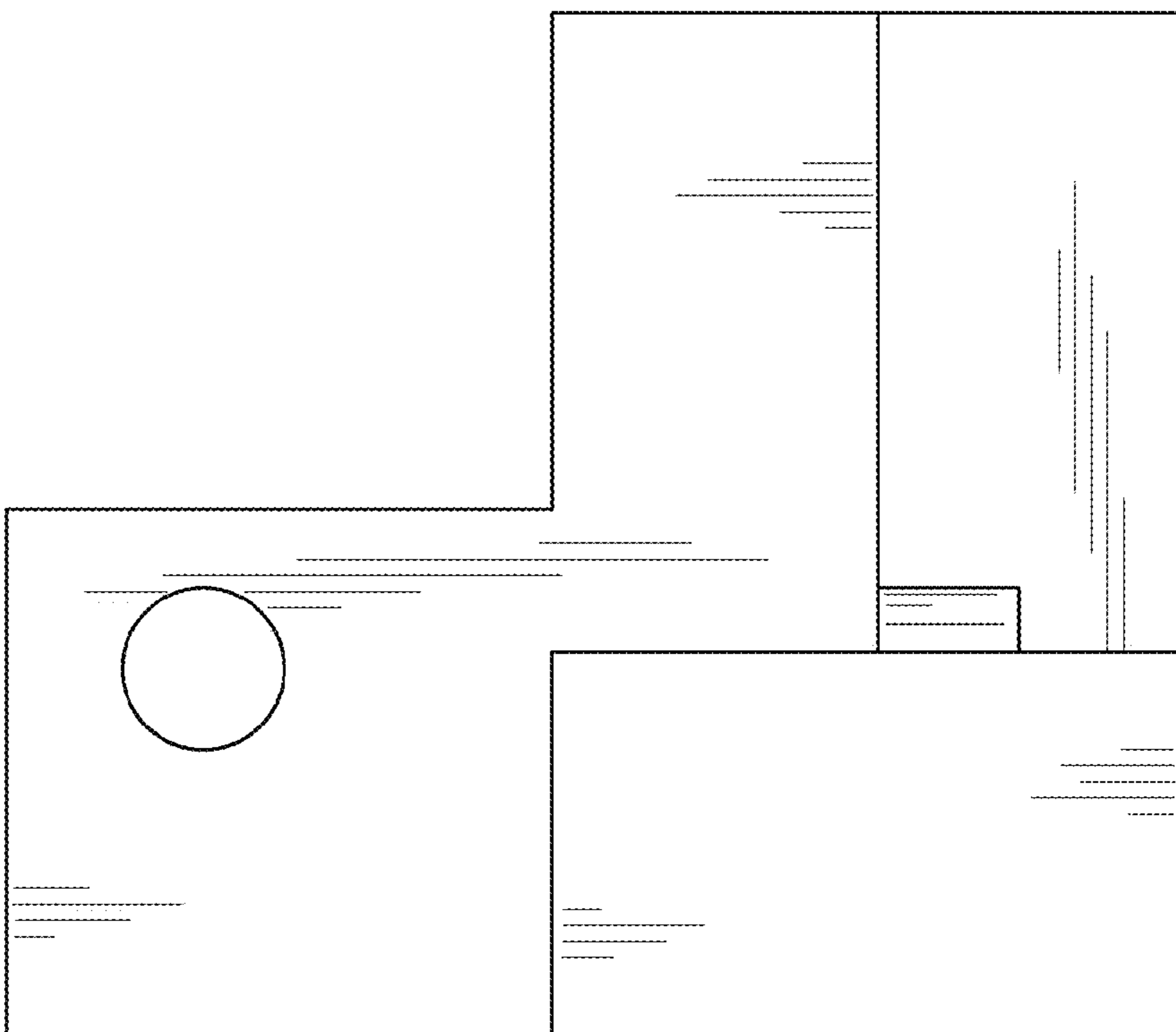


FIG. 6