

US00D702531S

(12) **United States Design Patent**  
**Eddisford**

(10) **Patent No.:** **US D702,531 S**  
(45) **Date of Patent:** **\*\* Apr. 15, 2014**

(54) **MOUNT FOR CURVED COMPONENT**

(76) Inventor: **Lucien Eddisford**, Arcata, CA (US)

(\*\*) Term: **14 Years**

(21) Appl. No.: **29/417,920**

(22) Filed: **Apr. 10, 2012**

(51) **LOC (10) Cl.** ..... **08-08**

(52) **U.S. Cl.**  
USPC ..... **D8/349**

(58) **Field of Classification Search**

USPC ..... D8/349, 354, 380, 382; D25/133;  
248/519, 300, 237, 309.1; 174/45 R,  
174/46, 40 R, 45 TD, 40 CCC, 43, 493;  
220/251, 284; 362/431; 411/402;  
52/188, 182, 191, 702, 712, 745.06,  
52/189, 506.5, 586.1; 29/428, 525.01,  
29/464; 249/14, 205, 208; 403/167, 169

See application file for complete search history.

(56) **References Cited**

**U.S. PATENT DOCUMENTS**

D290,349 S \* 6/1987 Kasai ..... D11/218  
D303,456 S \* 9/1989 Selisky ..... D11/218  
D373,975 S \* 9/1996 Anscher ..... D11/218  
D515,406 S \* 2/2006 Groff et al. .... D8/380  
D523,734 S \* 6/2006 Calaicone ..... D8/354

D555,459 S \* 11/2007 Goodwin et al. .... D8/363  
D555,467 S \* 11/2007 Pecoraro ..... D8/380  
D556,018 S \* 11/2007 Curtas et al. .... D8/354  
D619,452 S \* 7/2010 Ollila ..... D8/396  
D619,877 S \* 7/2010 Siebuhr ..... D8/354  
D628,539 S \* 12/2010 Tezak et al. .... D13/152  
D632,609 S \* 2/2011 Corrado ..... D11/208  
D632,610 S \* 2/2011 Corrado ..... D11/208  
D637,260 S \* 5/2011 Swan ..... D22/109  
D647,424 S \* 10/2011 Kolasa et al. .... D11/218  
D647,425 S \* 10/2011 Kolasa et al. .... D11/218  
D662,653 S \* 6/2012 Hochman ..... D26/138

\* cited by examiner

*Primary Examiner* — Mark Goodwin

(74) *Attorney, Agent, or Firm* — Damon M. Thurston

(57) **CLAIM**

The ornamental design for a mount for curved component, as shown and described.

**DESCRIPTION**

FIG. 1 is a three-quarter perspective view of a mount for curved component showing my new design.

FIG. 2 is a front view thereof.

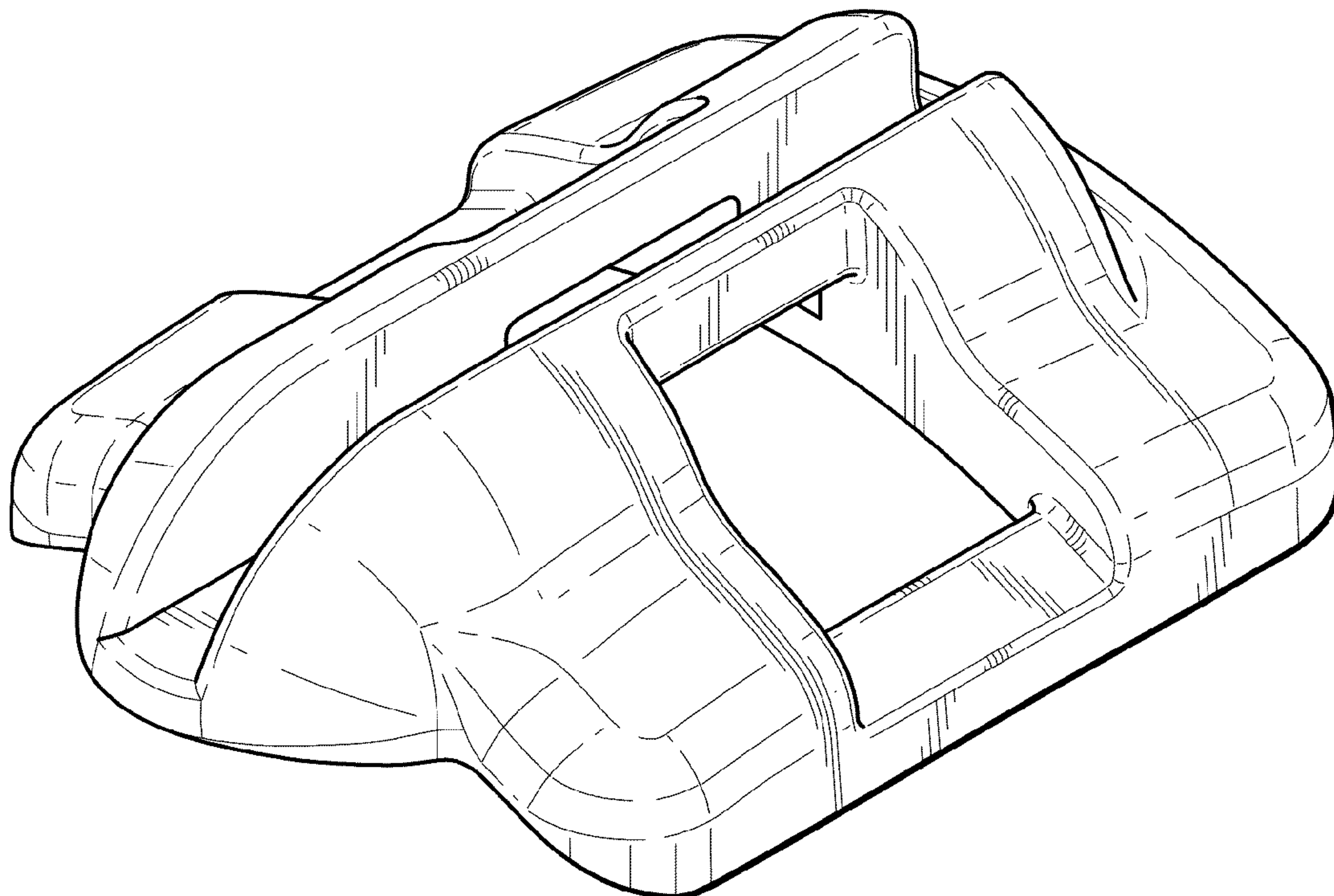
FIG. 3 is a rear view thereof.

FIG. 4 is a top view thereof.

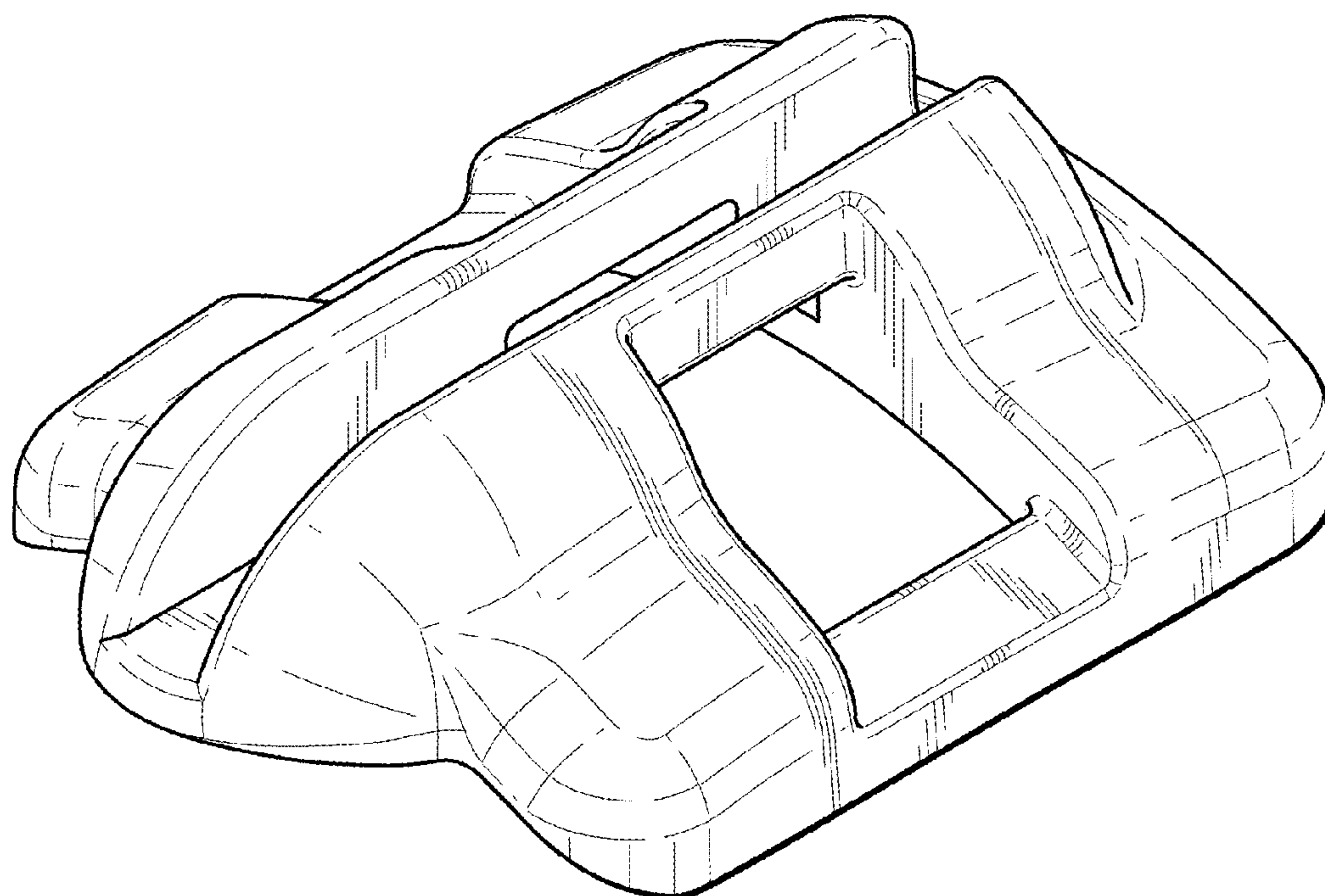
FIG. 5 is a side view thereof; and,

FIG. 6 is a bottom view thereof.

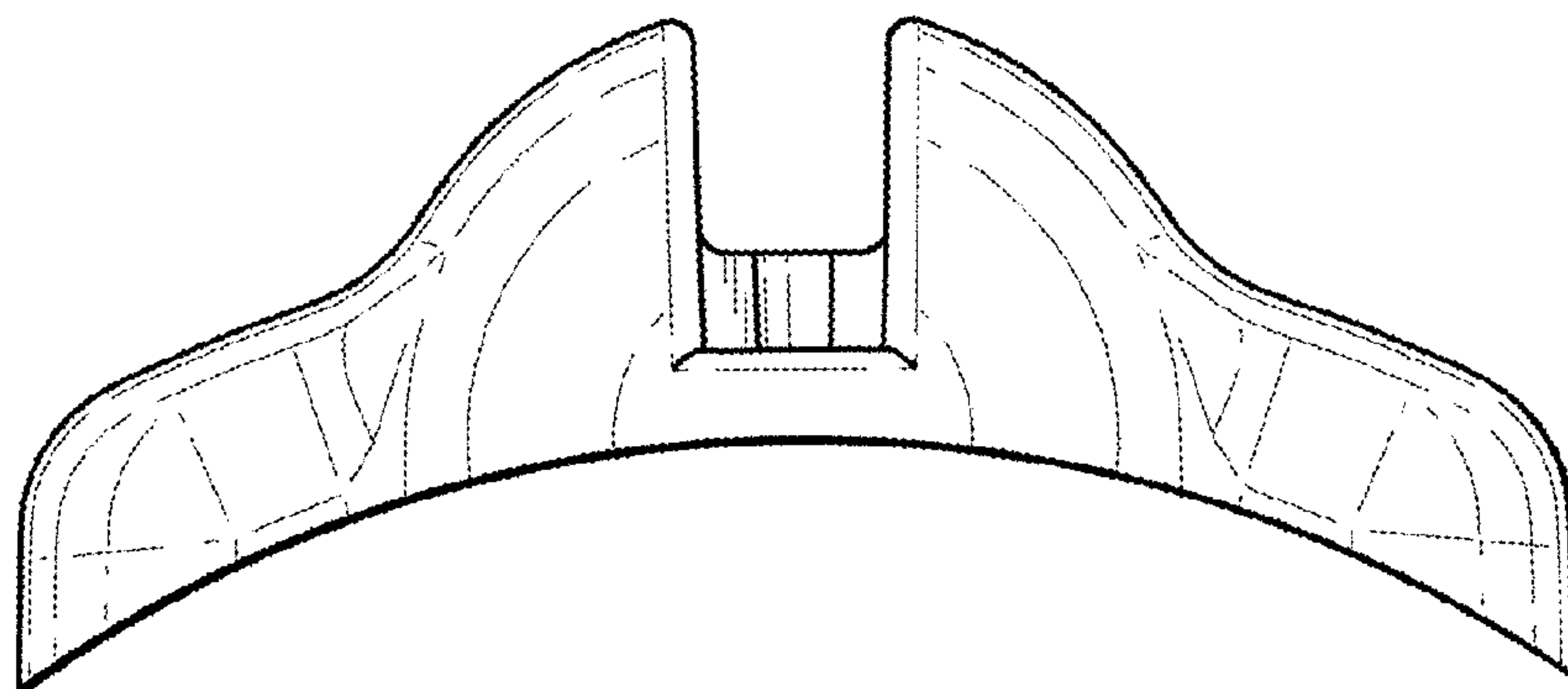
**1 Claim, 4 Drawing Sheets**



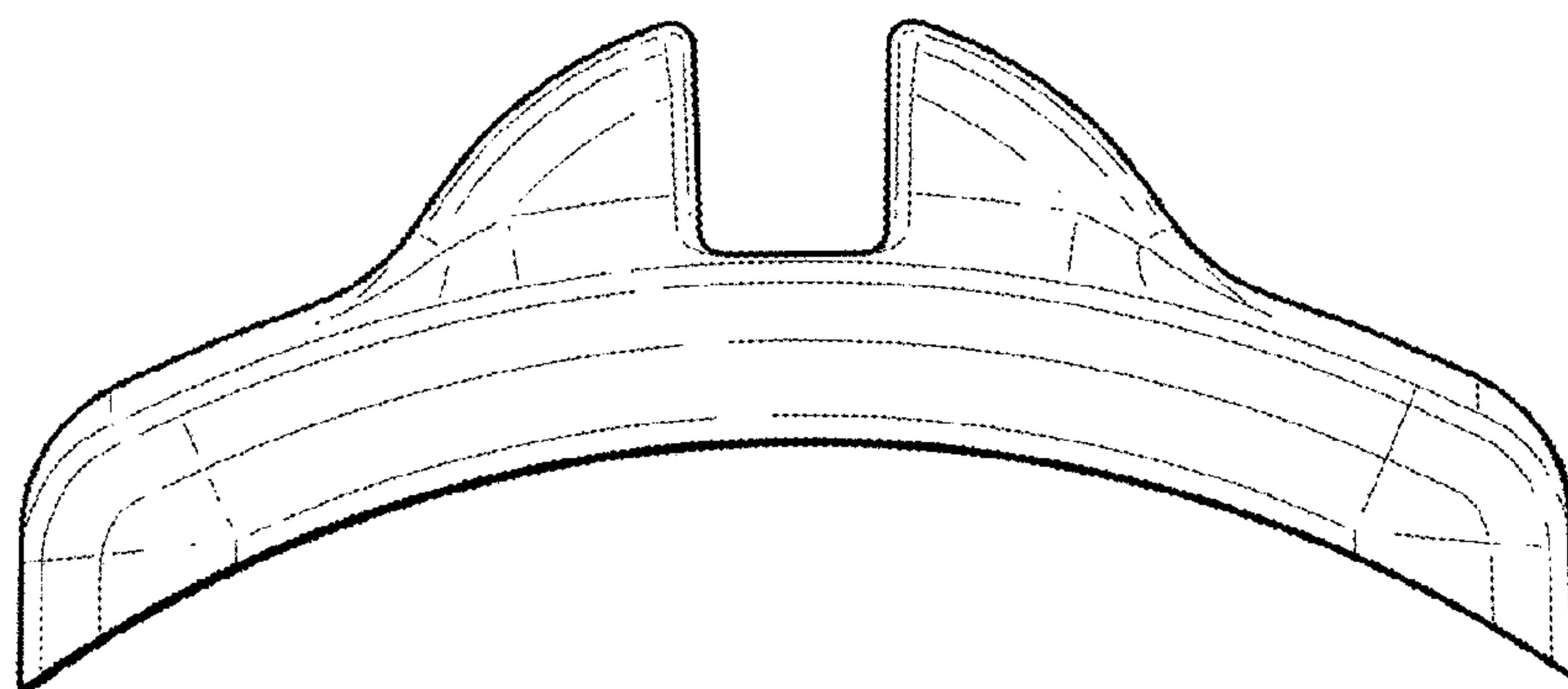
**FIG. 1**



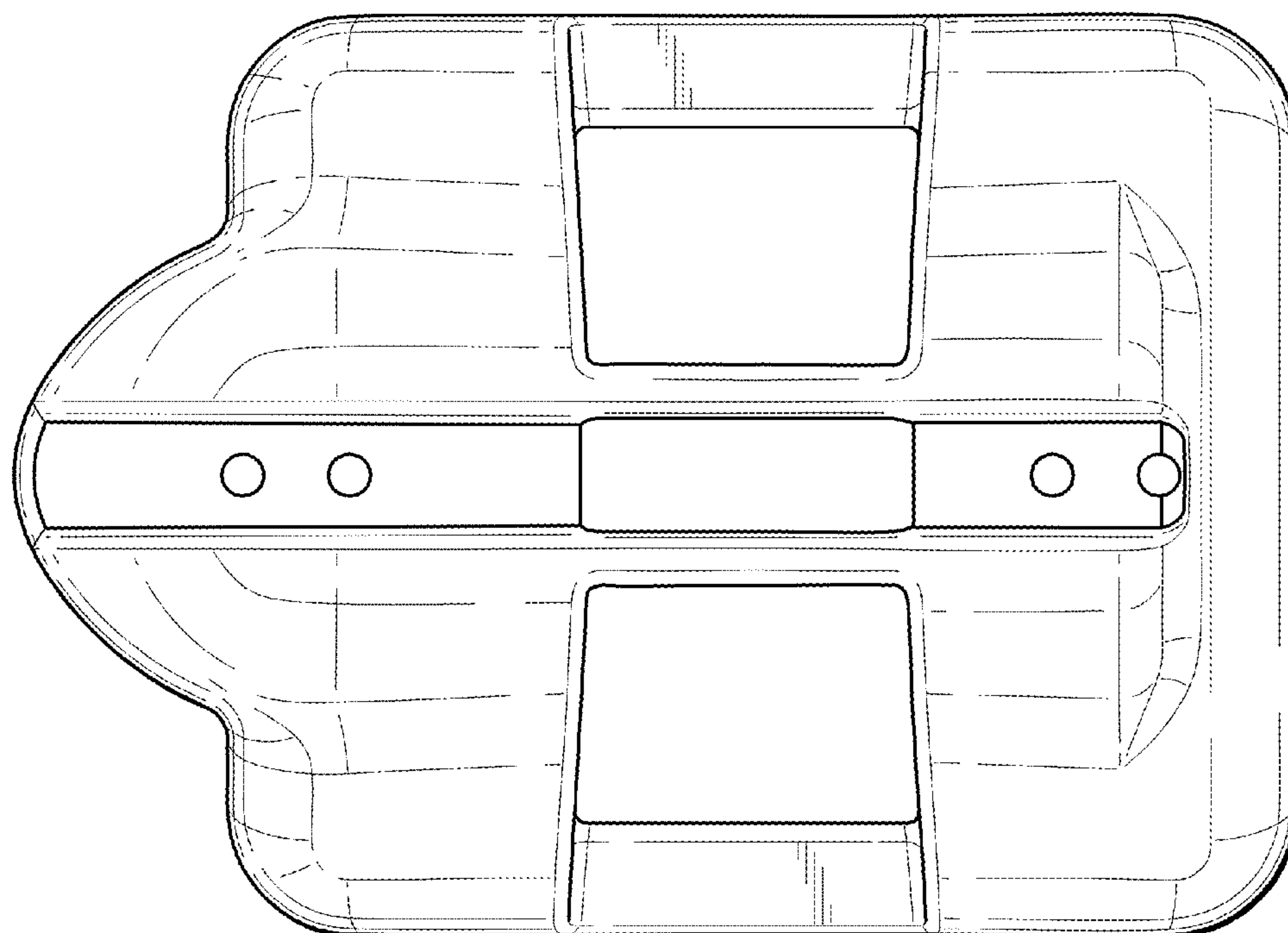
**FIG. 2**



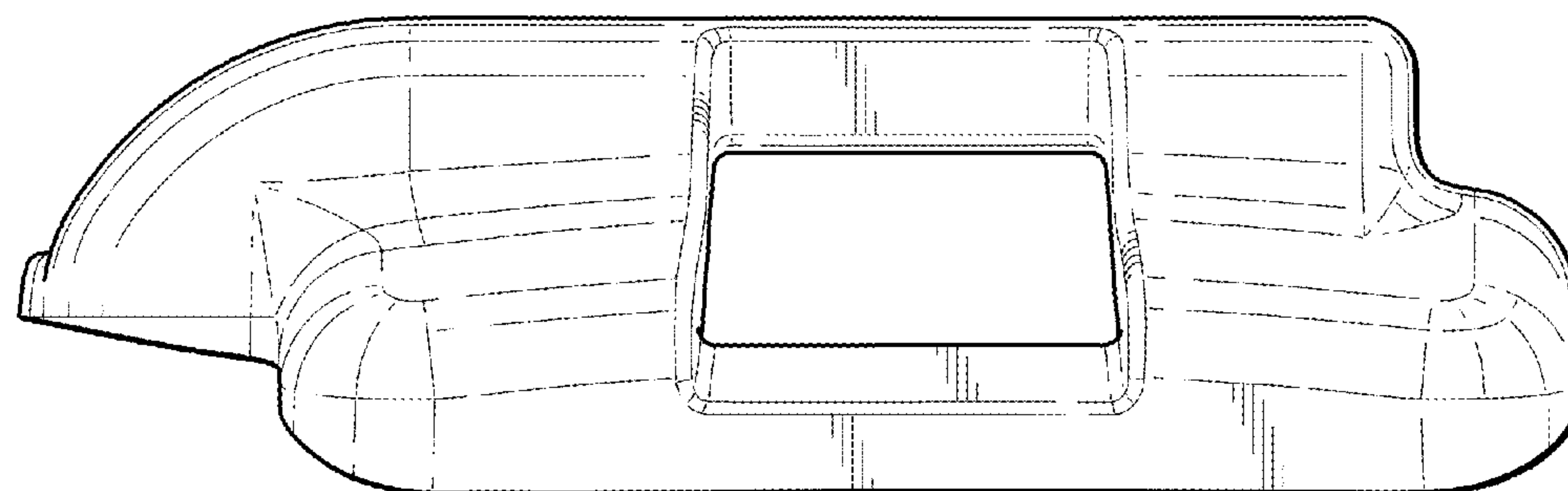
**FIG. 3**



**FIG. 4**



**FIG. 5**



**FIG. 6**

