



US00D702530S

(12) **United States Design Patent**
Hasegawa

(10) **Patent No.:** **US D702,530 S**

(45) **Date of Patent:** **** Apr. 15, 2014**

(54) **METAL HINGE SUPPORT FOR AN OPTICAL FIBER CUTTER**

D472,793 S * 4/2003 Callahan et al. D8/349
D483,650 S * 12/2003 Squillante et al. D8/349
D548,571 S * 8/2007 Bigelow et al. D8/349

(75) Inventor: **Masahiro Hasegawa**, Yokohama (JP)

(Continued)

(73) Assignee: **SEI Optifrontier Co., Ltd.**, Kanagawa (JP)

Primary Examiner — Mark Goodwin

(74) *Attorney, Agent, or Firm* — McDermott Will & Emery LLP

(**) Term: **14 Years**

(57) **CLAIM**

The ornamental design for a metal hinge support for an optical fiber cutter, as shown and described.

(21) Appl. No.: **29/408,928**

DESCRIPTION

(22) Filed: **Dec. 19, 2011**

(30) **Foreign Application Priority Data**

Oct. 5, 2011 (JP) D2011-022911

(51) **LOC (10) Cl.** **08-08**

(52) **U.S. Cl.**
USPC **D8/349**

(58) **Field of Classification Search**
USPC D8/349, 354, 380, 382, 356; D25/133;
248/519, 300, 237, 309.1; 174/45 R,
174/46, 40 R, 45 TD, 40 CCC, 43, 493;
220/251, 284; 362/431; 411/402;
52/188, 182, 191, 702, 712, 745.06,
52/189, 506.5, 586.1; 29/428, 525.01,
29/464; 249/14, 205, 208; 403/167, 169
See application file for complete search history.

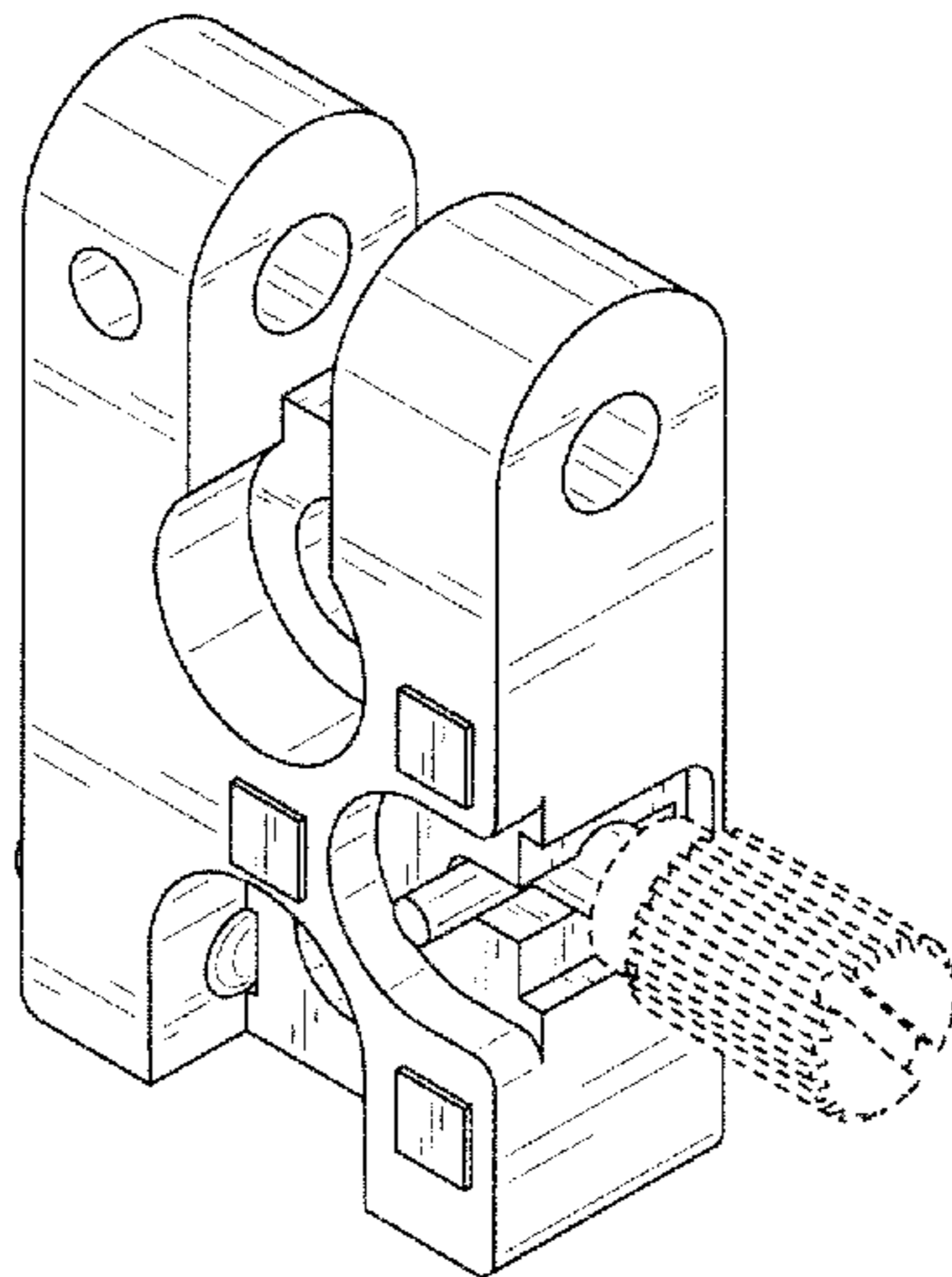
FIG. 1 is a front view of the metal hinge support for an optical fiber cutter, showing the new design;
FIG. 2 is a rear view of the metal hinge support for an optical fiber cutter;
FIG. 3 is a top plan view of the metal hinge support for an optical fiber cutter;
FIG. 4 is a bottom view of the metal hinge support for an optical fiber cutter;
FIG. 5 is a right side view of the metal hinge support for an optical fiber cutter;
FIG. 6 is a left side view of the metal hinge support for an optical fiber cutter;
FIG. 7 is a top perspective view of the metal hinge support for an optical fiber cutter;
FIG. 8 is a bottom perspective view of the metal hinge support for an optical fiber cutter;
FIG. 9 is a perspective view of the metal hinge support for an optical fiber cutter, in use;
FIG. 10 is a perspective view of the metal hinge support for an optical fiber cutter, in use;
FIG. 11 is a right side view of the metal hinge support for an optical fiber cutter, in use; and,
FIG. 12 is a left view of the metal hinge support for an optical fiber cutter, in use.
The broken lines showing various elements of the metal hinge support for an optical fiber cutter are included for the purpose of illustrating non-claimed subject matter and form no part of the claimed design.

(56) **References Cited**

U.S. PATENT DOCUMENTS

D361,709 S * 8/1995 Fortenbery D8/349
D376,529 S * 12/1996 Davies et al. D8/349
D379,609 S * 6/1997 Nease, III D12/162
D387,970 S * 12/1997 Enslin D8/349
D439,135 S * 3/2001 Elmer D8/349
D457,052 S * 5/2002 Snyder D8/349
D463,729 S * 10/2002 Wathen et al. D8/349
D464,557 S * 10/2002 Alejandro D8/349
D472,792 S * 4/2003 Callahan et al. D8/349

1 Claim, 10 Drawing Sheets



US D702,530 S

Page 2

(56)

References Cited

U.S. PATENT DOCUMENTS

D557,112 S	*	12/2007	Franssen	D8/349	
D574,222 S	*	8/2008	Golias et al.	D8/349	* cited by examiner
D615,847 S	*	5/2010	Tezak et al.	D8/349	
D622,131 S	*	8/2010	Tezak et al.	D8/349	
D663,190 S	*	7/2012	Mota et al.	D8/349	

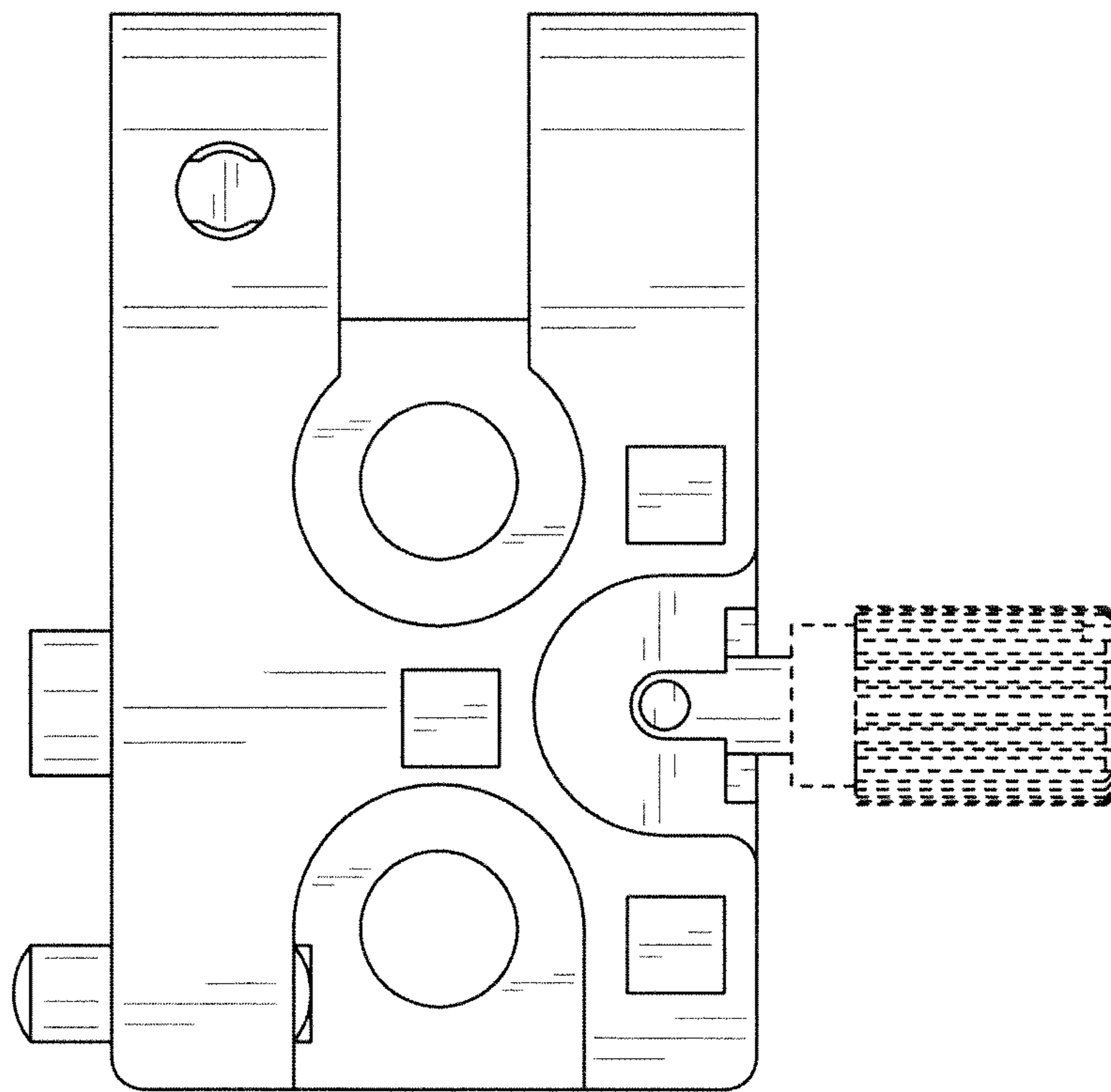


FIG. 1

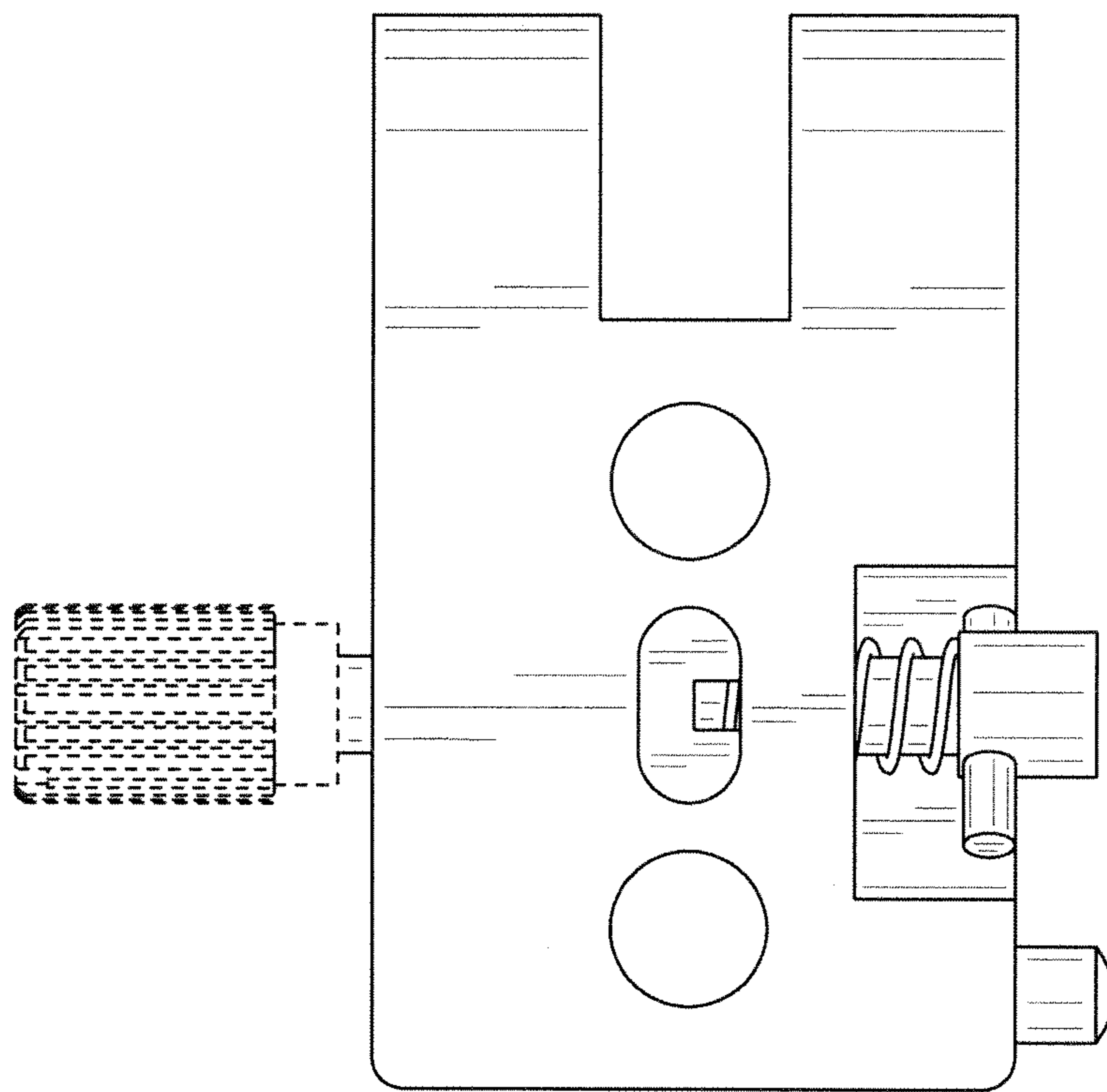


FIG. 2

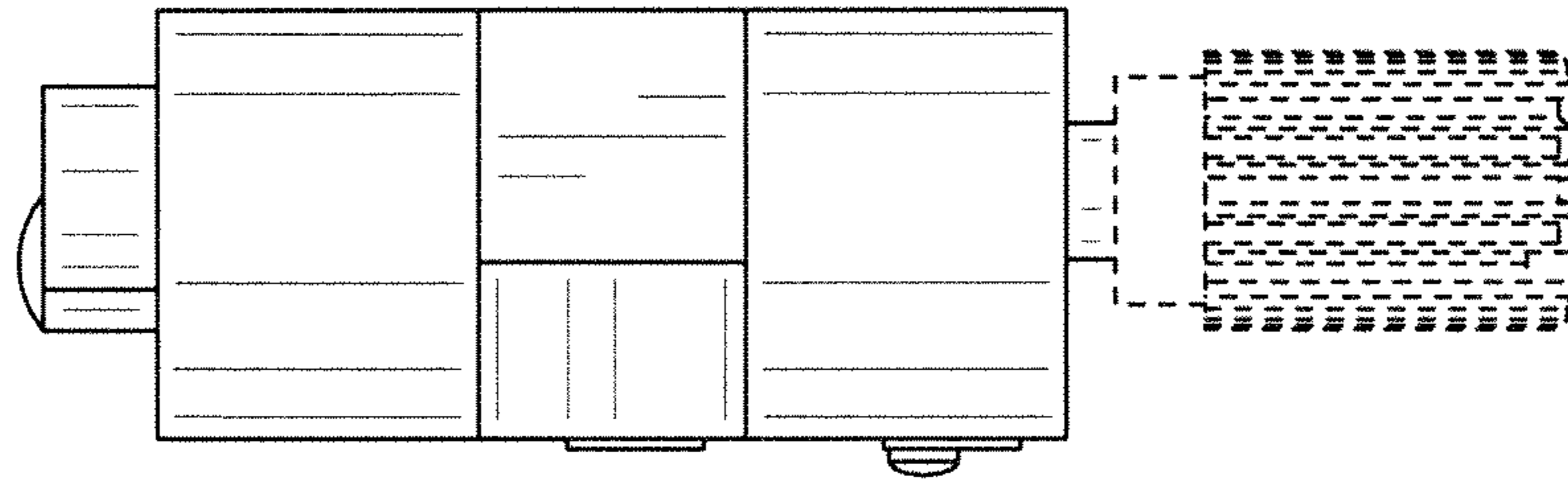


FIG. 3

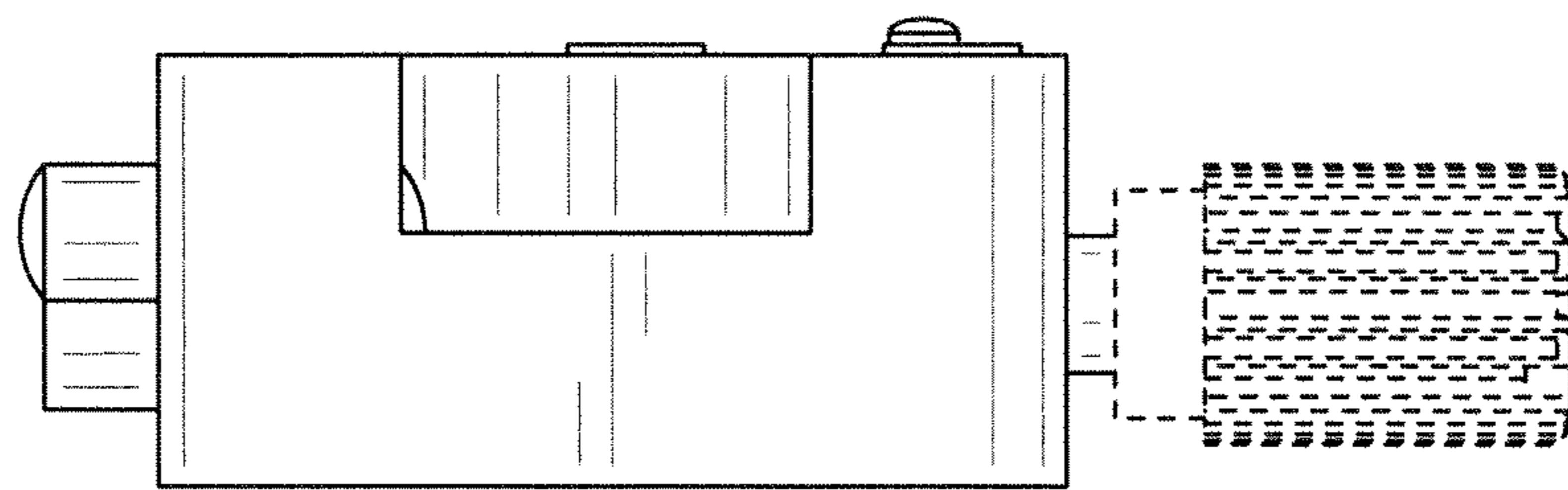


FIG. 4

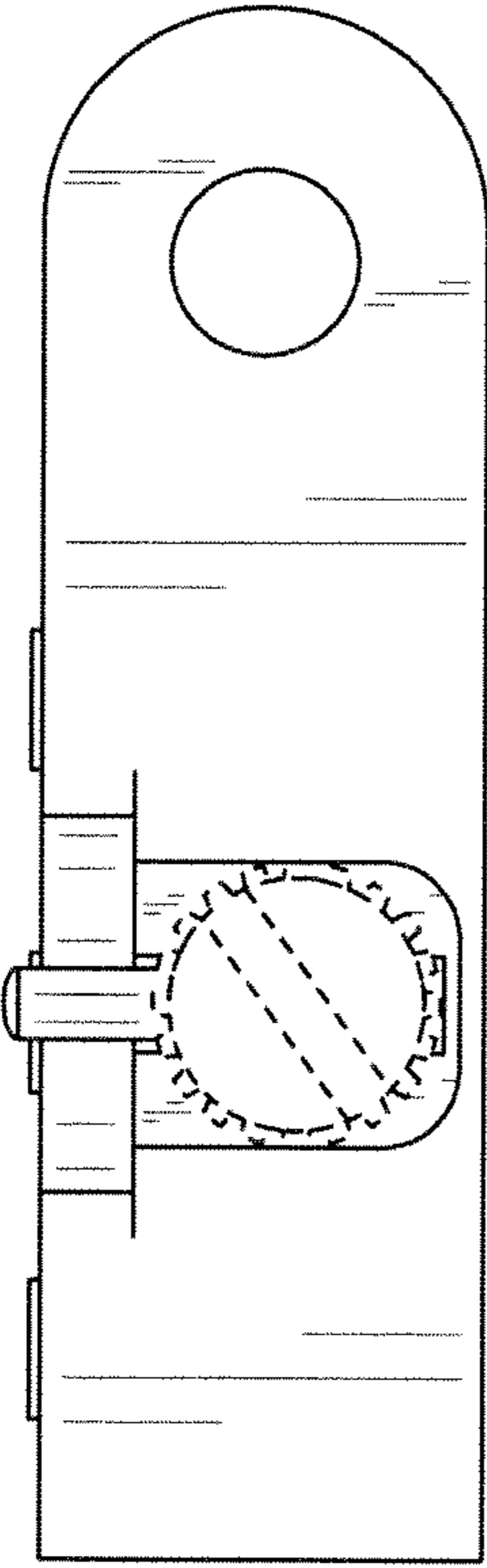


FIG. 5

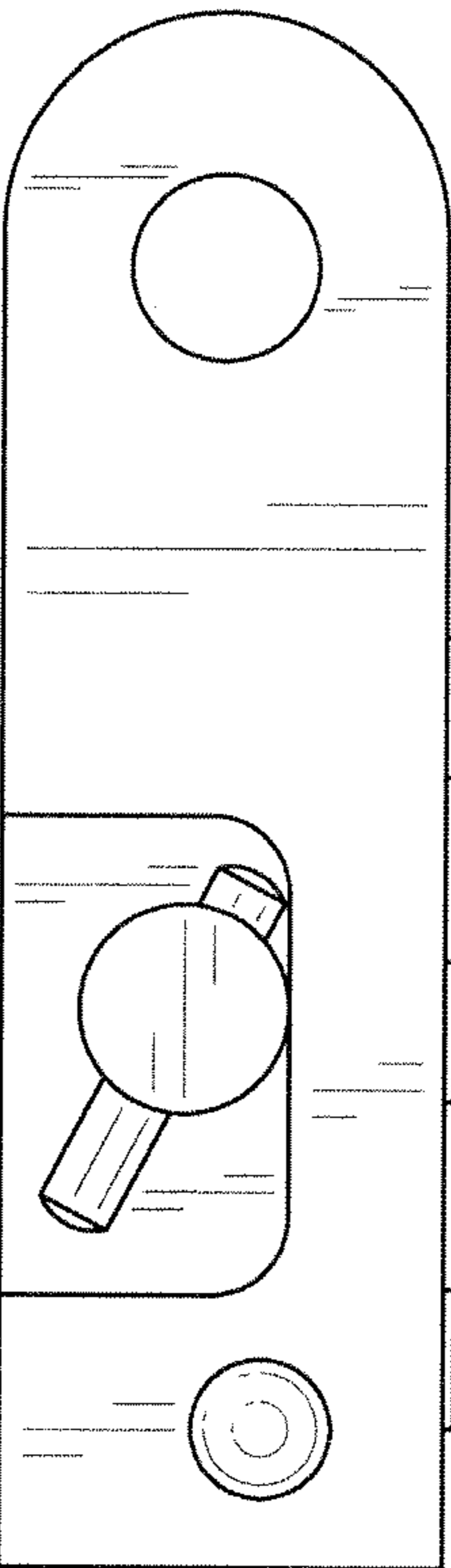


FIG. 6

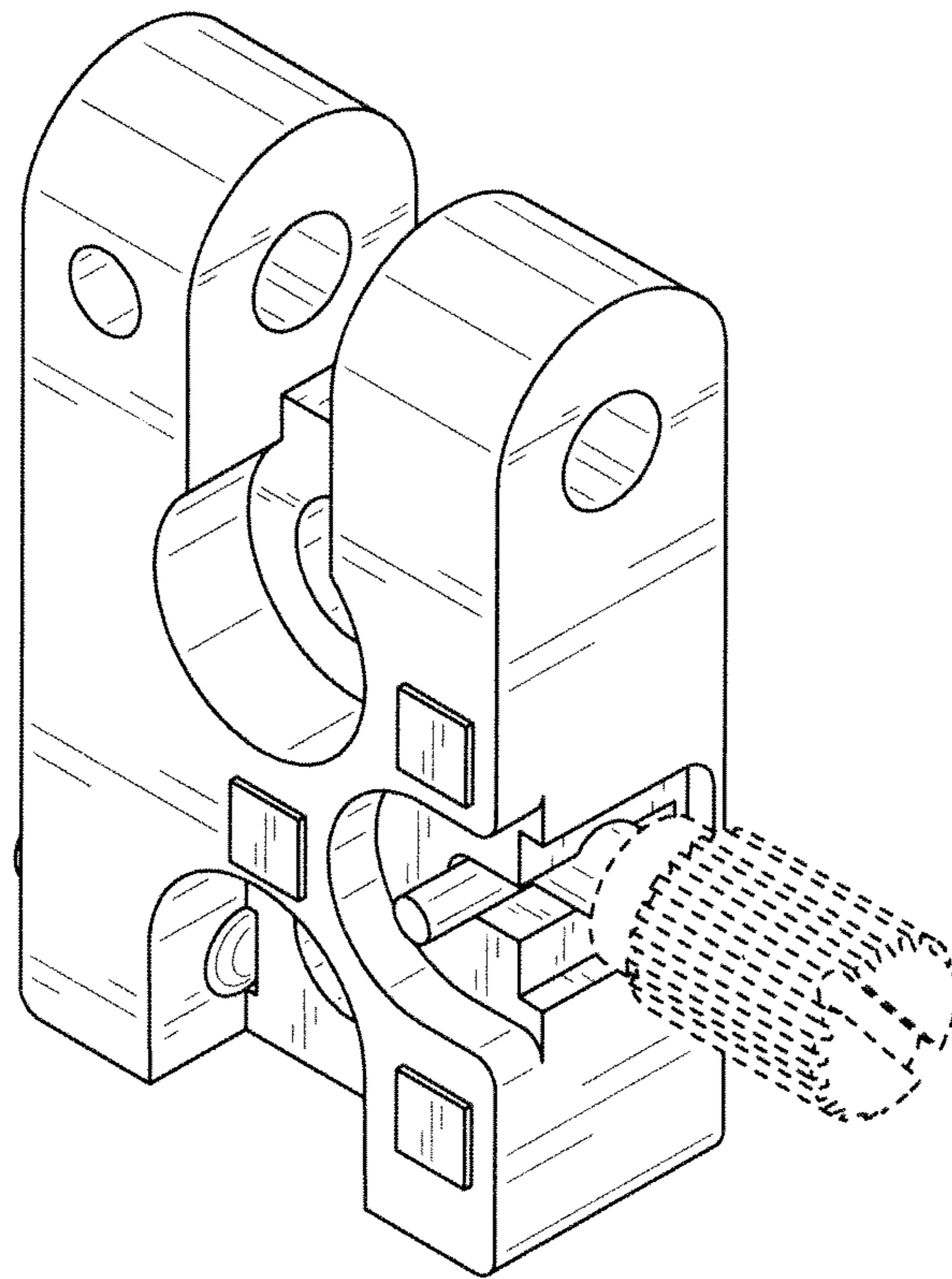


FIG. 7

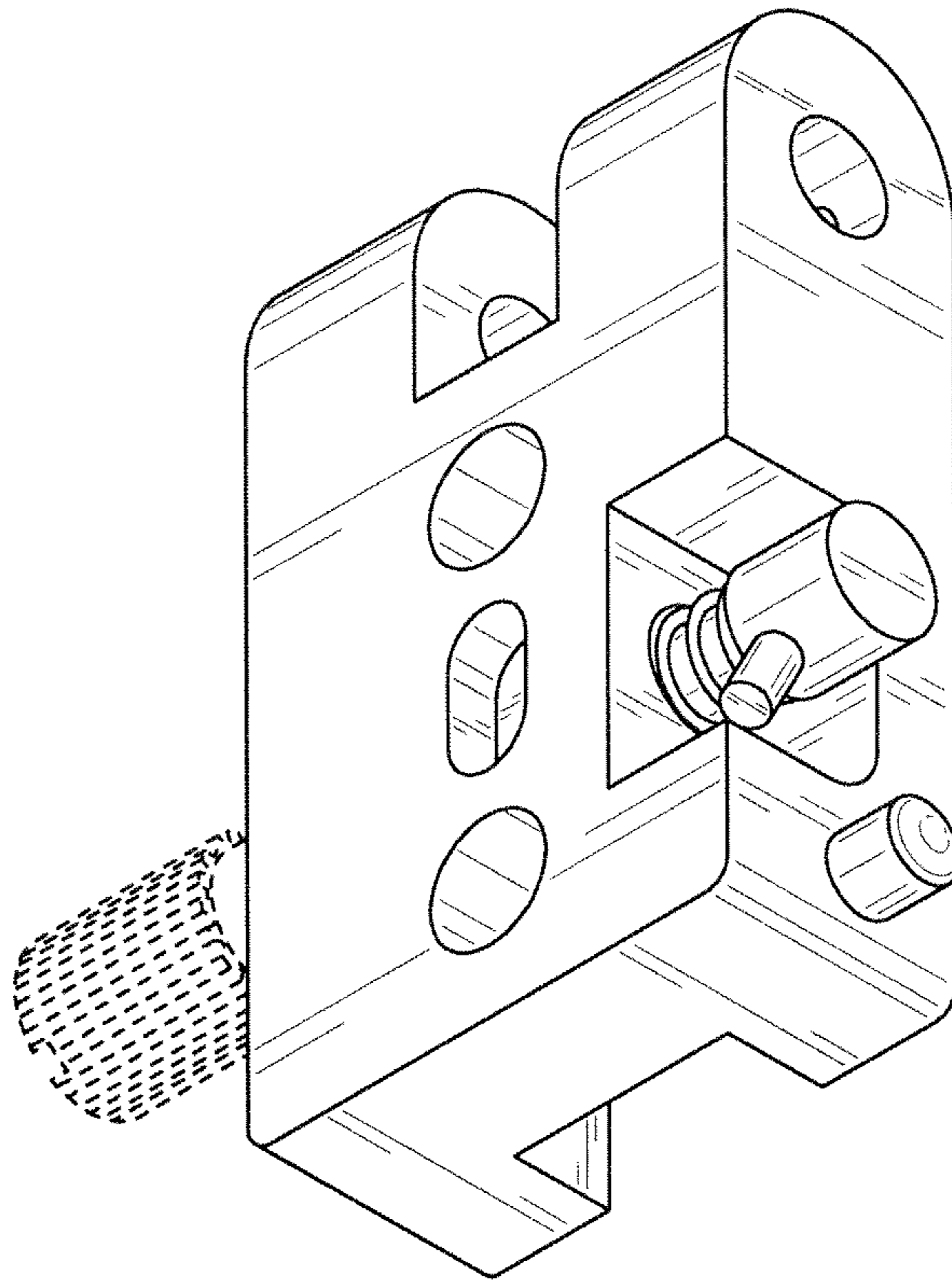


FIG. 8

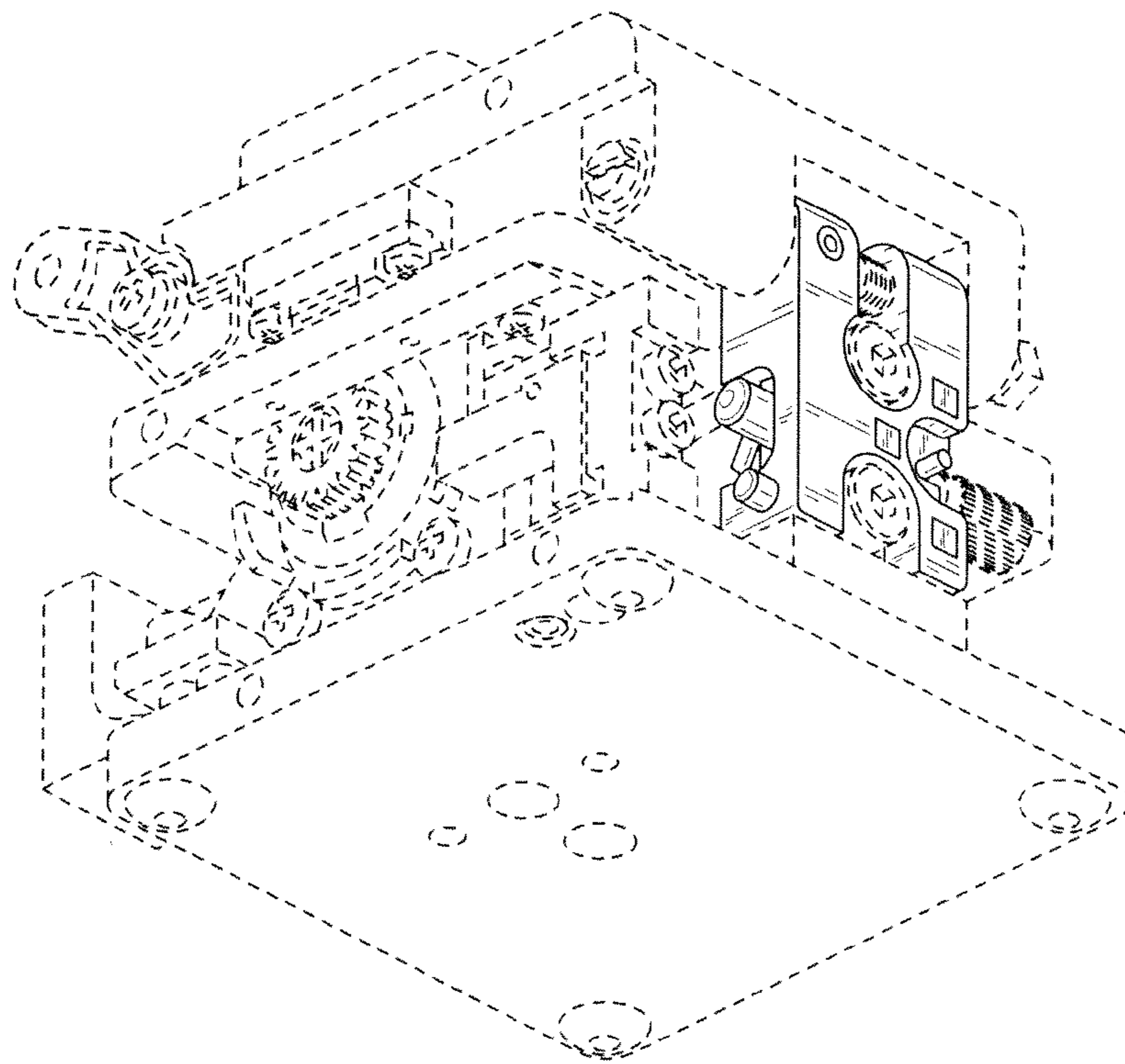


FIG. 9

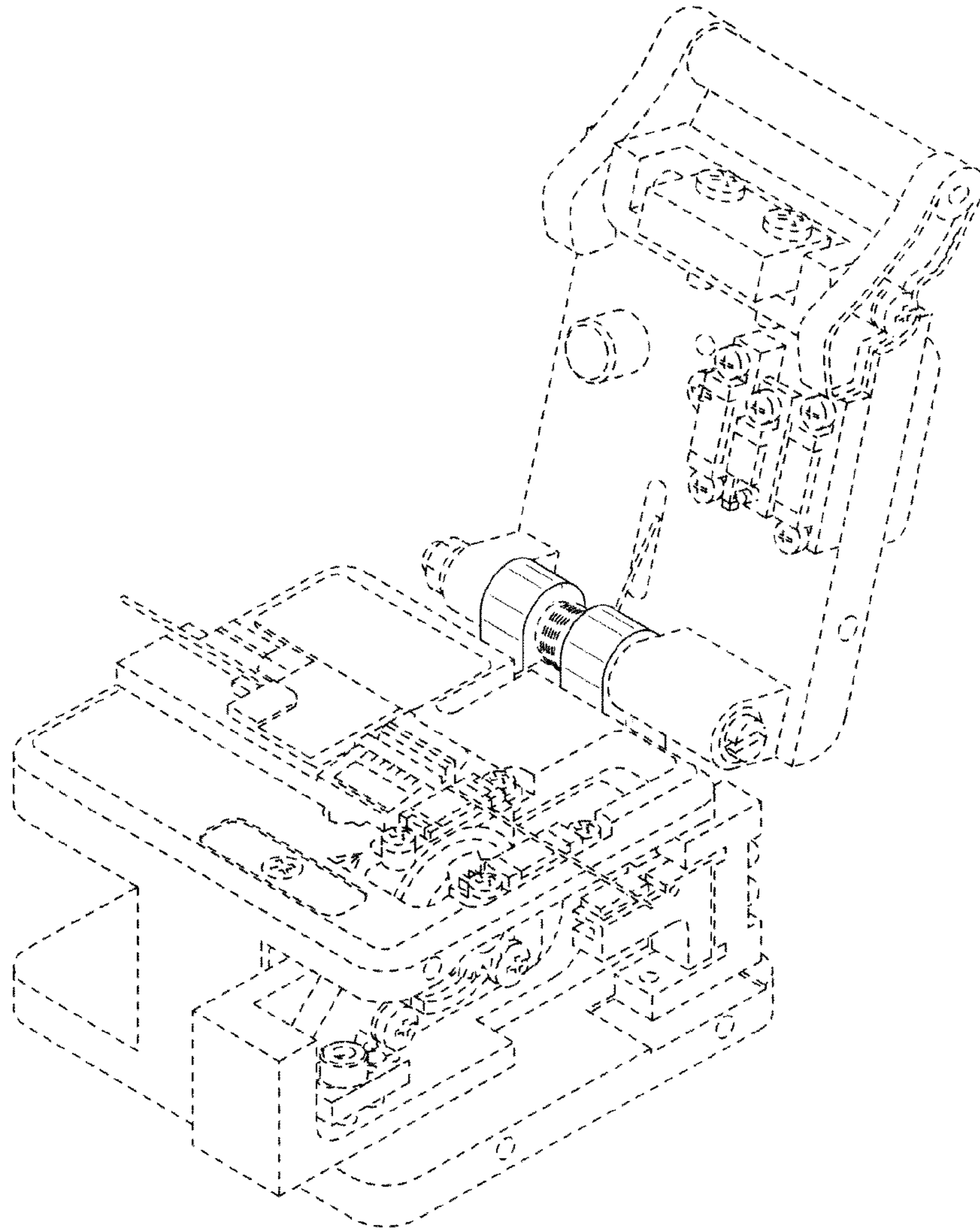


FIG. 10

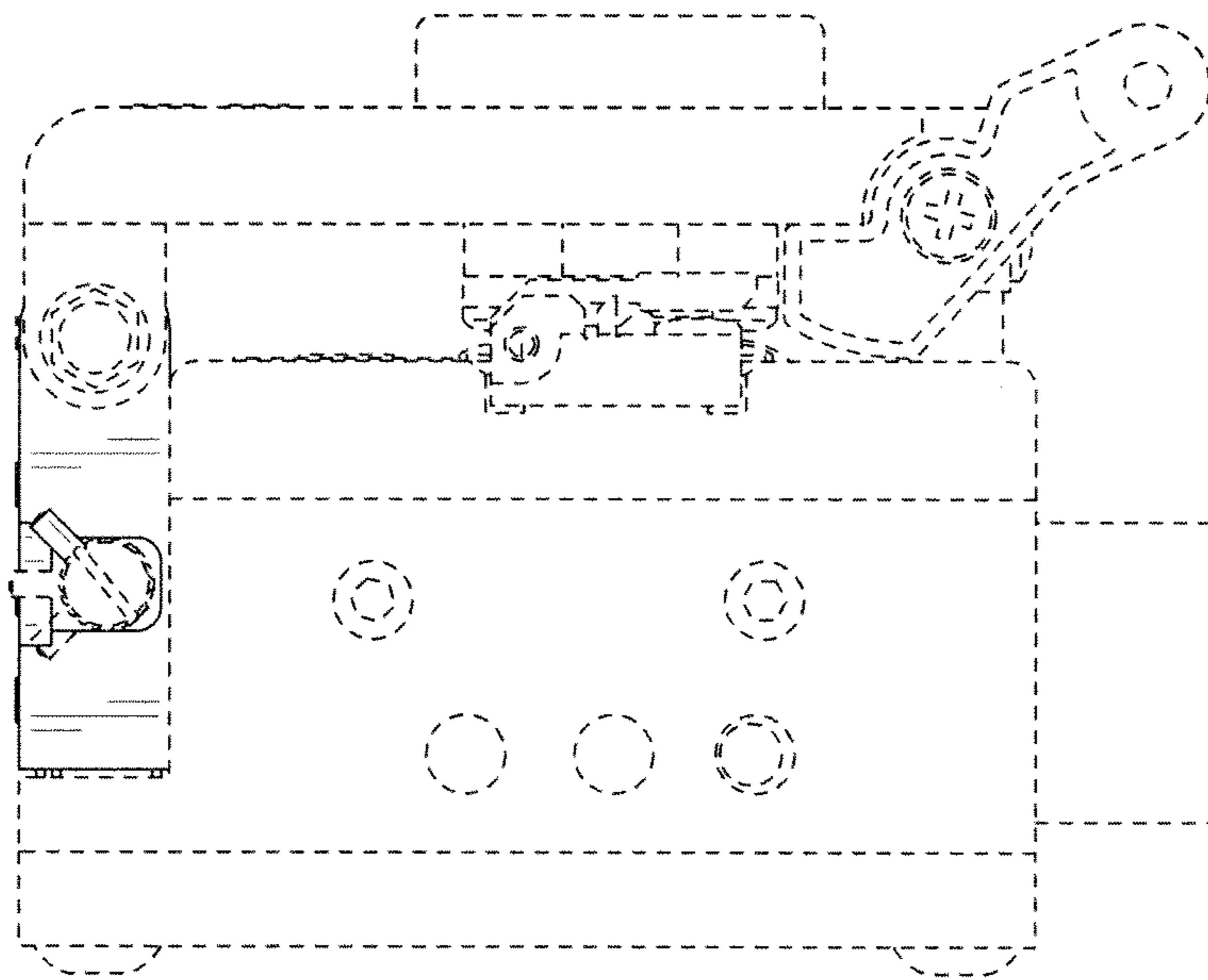


FIG. 11

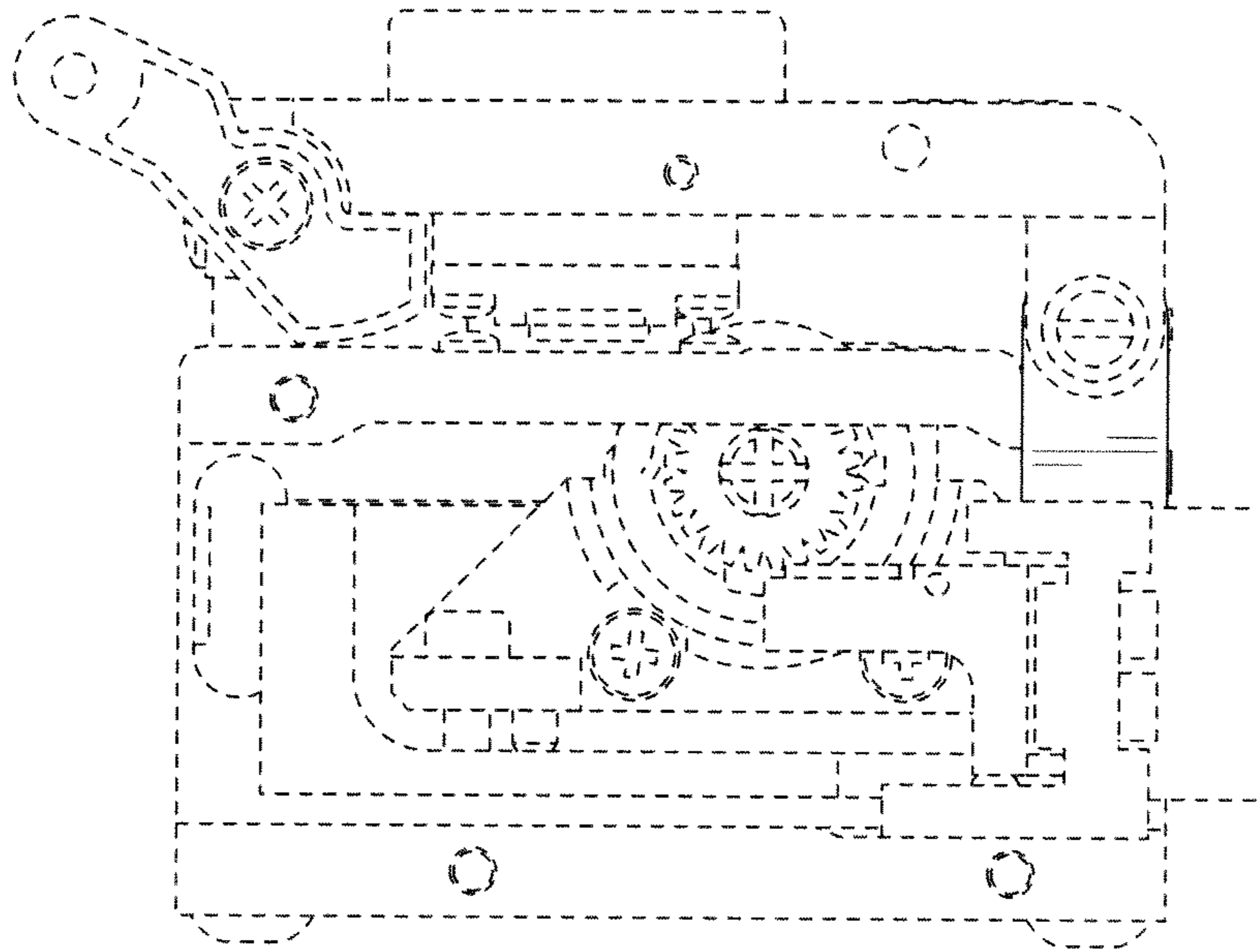


FIG. 12