



US00D702526S

(12) **United States Design Patent**  
**Yang**

(10) **Patent No.:** **US D702,526 S**  
(45) **Date of Patent:** **\*\* Apr. 15, 2014**

(54) **LOCK BOX COVER**

(71) Applicant: **Yao-Kun Yang**, Chang-Hua (TW)

(72) Inventor: **Yao-Kun Yang**, Chang-Hua (TW)

(\*\*) Term: **14 Years**

(21) Appl. No.: **29/451,865**

(22) Filed: **Apr. 9, 2013**

(51) **LOC (10) Cl.** ..... **08-07**

(52) **U.S. Cl.**  
USPC ..... **D8/346**

(58) **Field of Classification Search**  
USPC ..... D8/330, 331, 343, 346, 398, 394, 449;  
70/57, 57.1, 51-56, 416, 485, 486,  
70/445, 419, 431, 422, 158, DIG. 43,  
70/DIG. 56, 160, 164, 167  
See application file for complete search history.

(56) **References Cited**

**U.S. PATENT DOCUMENTS**

4,576,022	A *	3/1986	Gamble	.....	70/55
4,727,368	A *	2/1988	Larson et al.	.....	340/5.6
5,144,821	A *	9/1992	Ernesti et al.	.....	70/159
6,526,786	B1 *	3/2003	Kayoda	.....	70/56
D499,328	S *	12/2004	Spoon	.....	D8/346
D515,909	S *	2/2006	Leung	.....	D8/335
D525,112	S *	7/2006	Butts et al.	.....	D8/346

D527,614	S *	9/2006	St. James	.....	D8/346
D539,633	S *	4/2007	Van Handel	.....	D8/333
D582,255	S *	12/2008	Turpault et al.	.....	D8/346
D636,252	S *	4/2011	Wasson et al.	.....	D8/333
7,926,215	B2 *	4/2011	Riker et al.	.....	40/654.01
D667,287	S *	9/2012	Yang	.....	D8/346

\* cited by examiner

*Primary Examiner* — Prabhakar Deshmukh

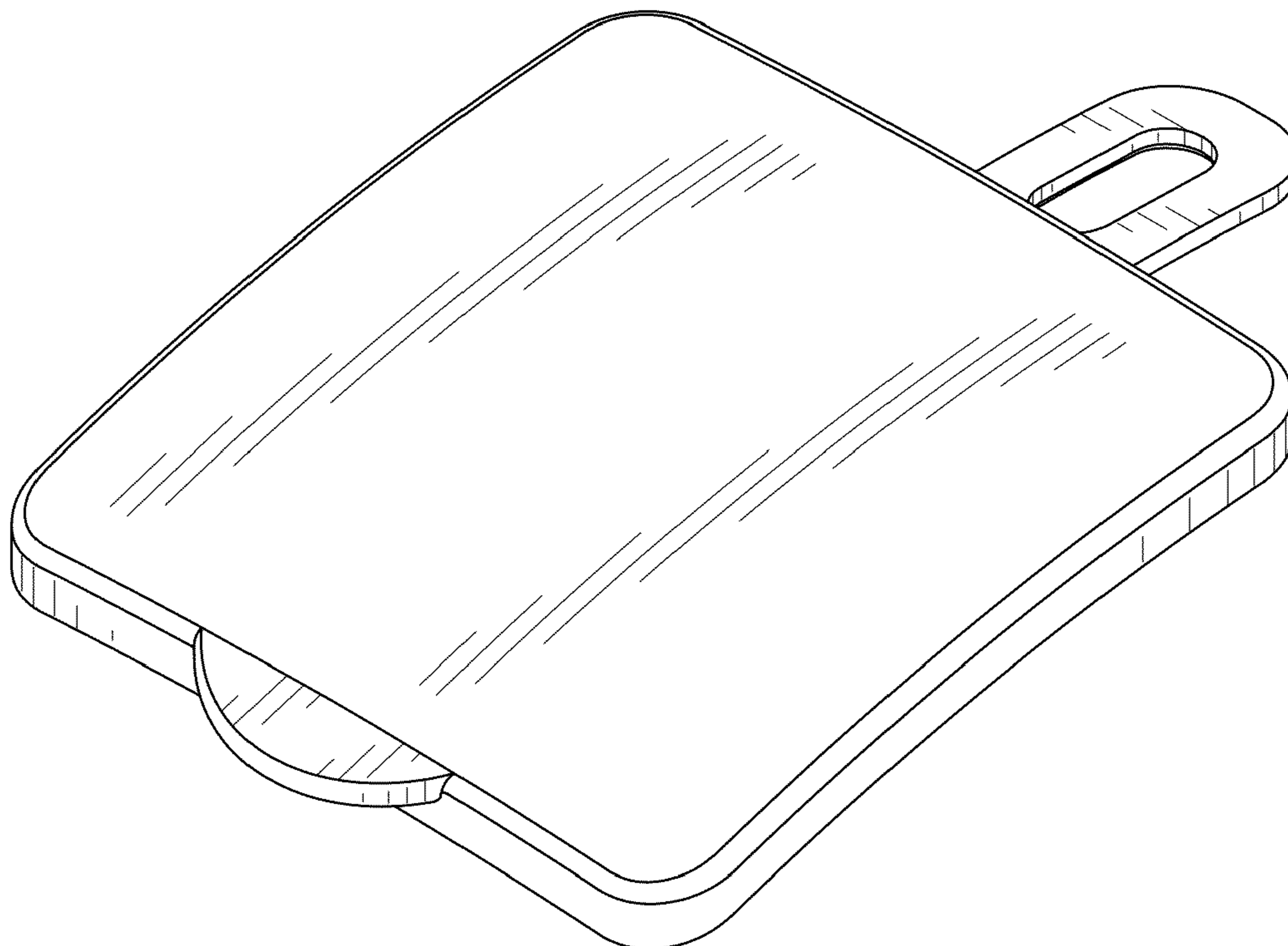
(57) **CLAIM**

The ornamental design for a lock box cover, as shown and described.

**DESCRIPTION**

FIG. 1 is a perspective view of a lock box cover showing my new design;  
FIG. 2 is a front elevational view thereof;  
FIG. 3 is a rear elevational view thereof;  
FIG. 4 is a left side view thereof;  
FIG. 5 is a right side view thereof;  
FIG. 6 is a top plan view thereof;  
FIG. 7 is a bottom plan view thereof;  
FIG. 8 is another perspective view thereof; and,  
FIG. 9 is an assembled view for showing the lock box cover is assembled to a lock box, wherein the broken line portion is for illustrative purpose only and forms no part of the claimed design.

**1 Claim, 7 Drawing Sheets**



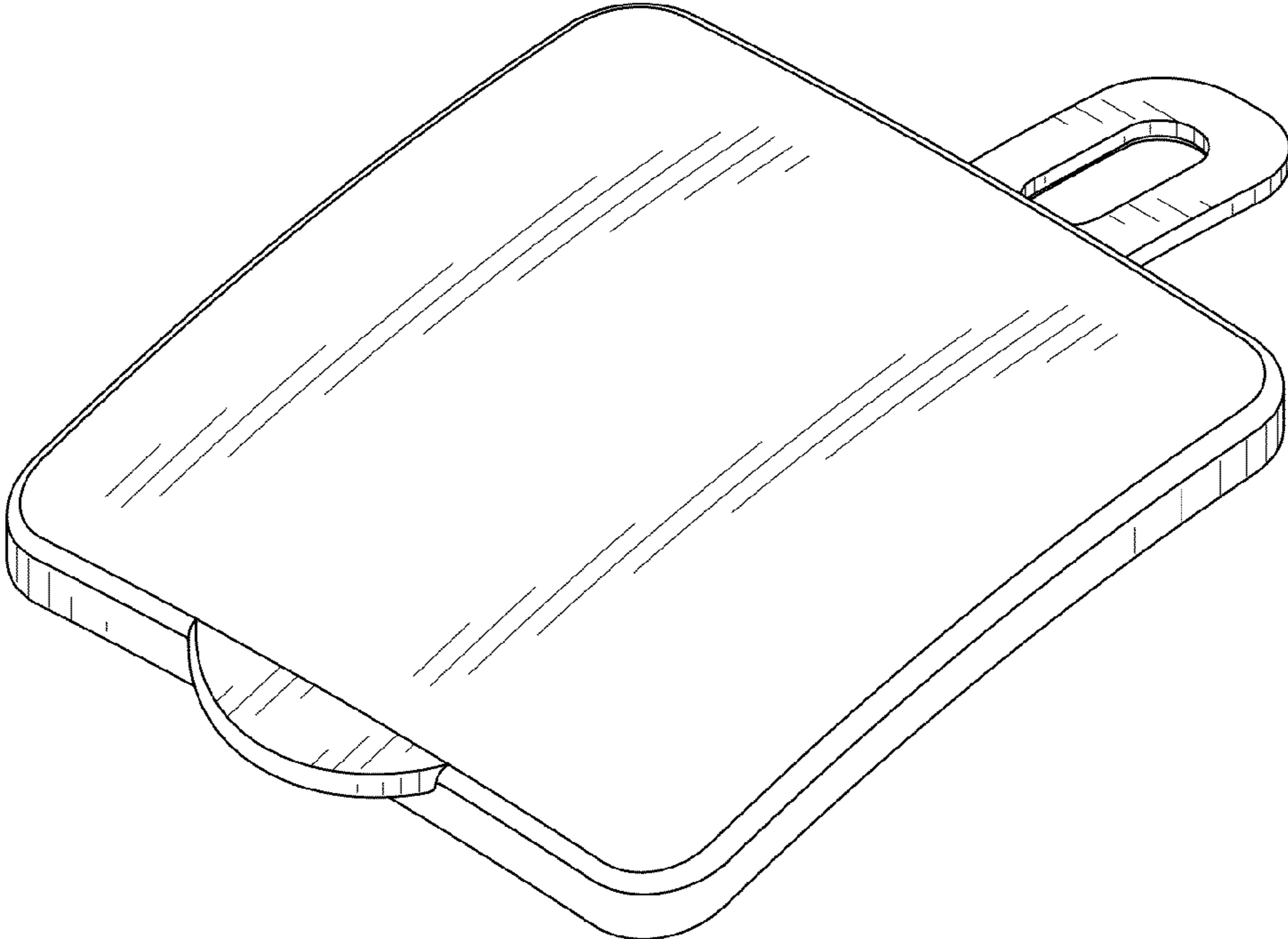


FIG.1

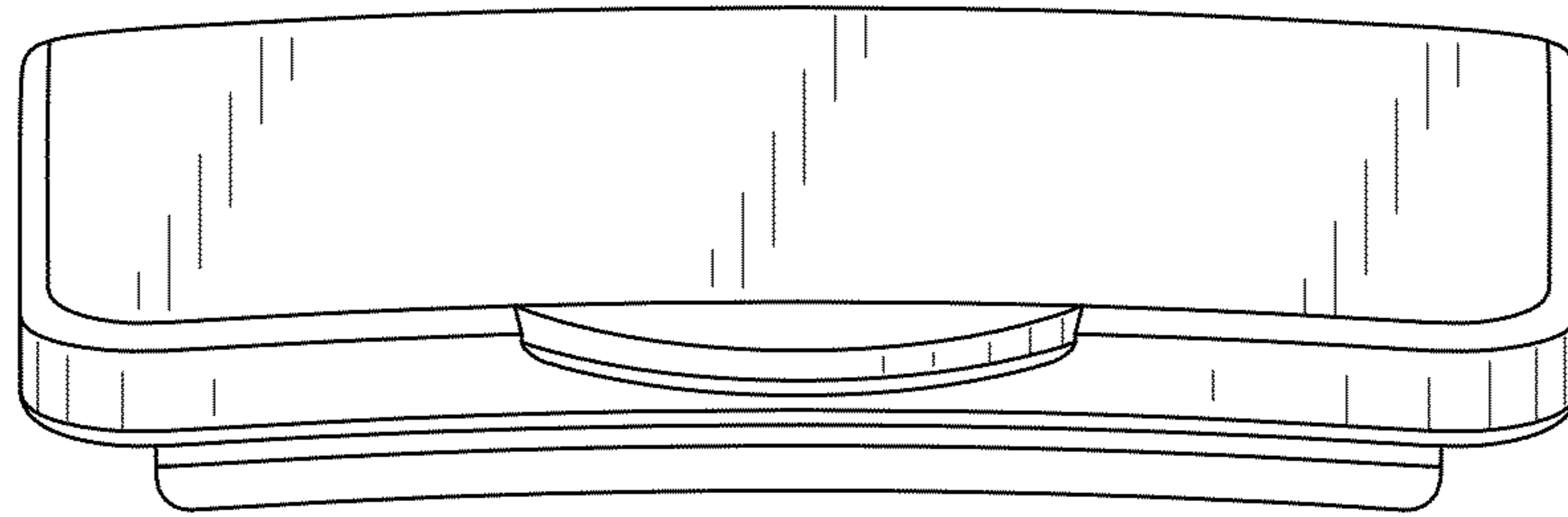


FIG.2

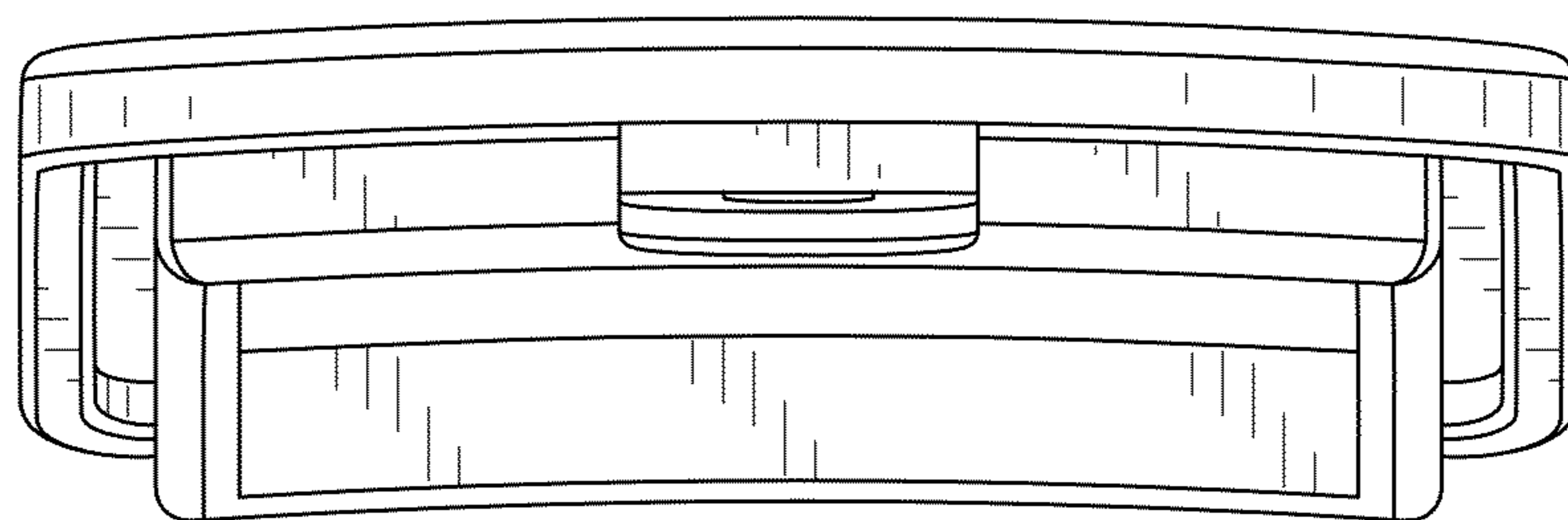


FIG.3

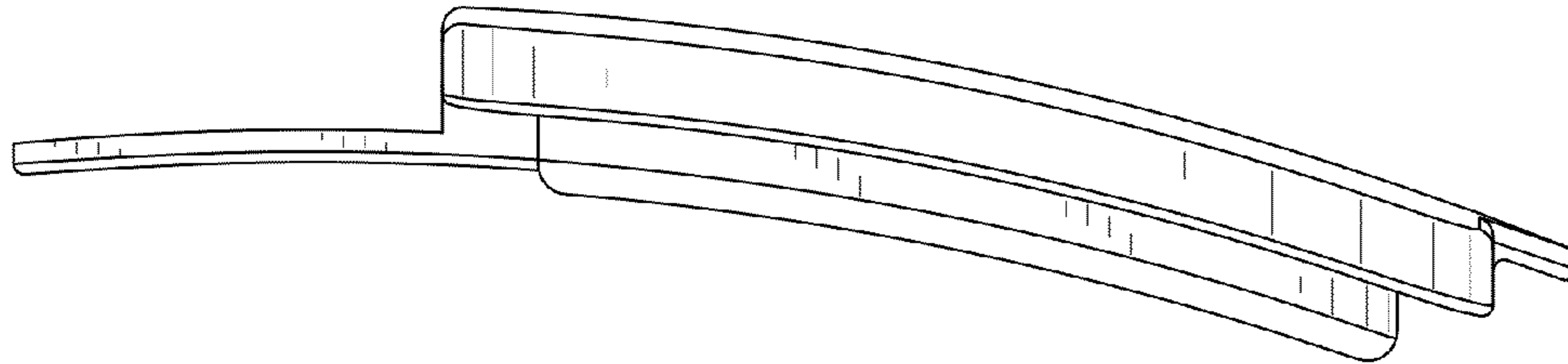


FIG. 4

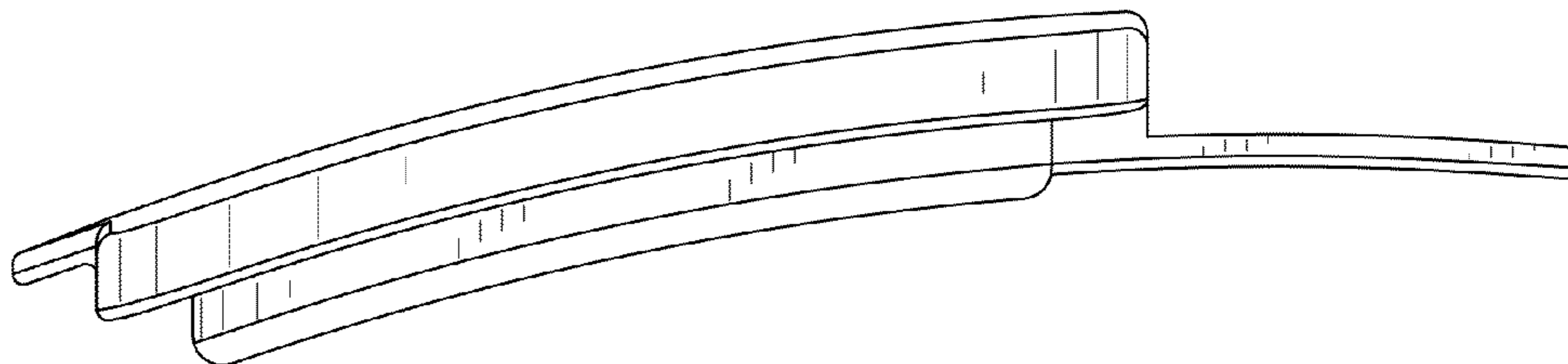


FIG. 5

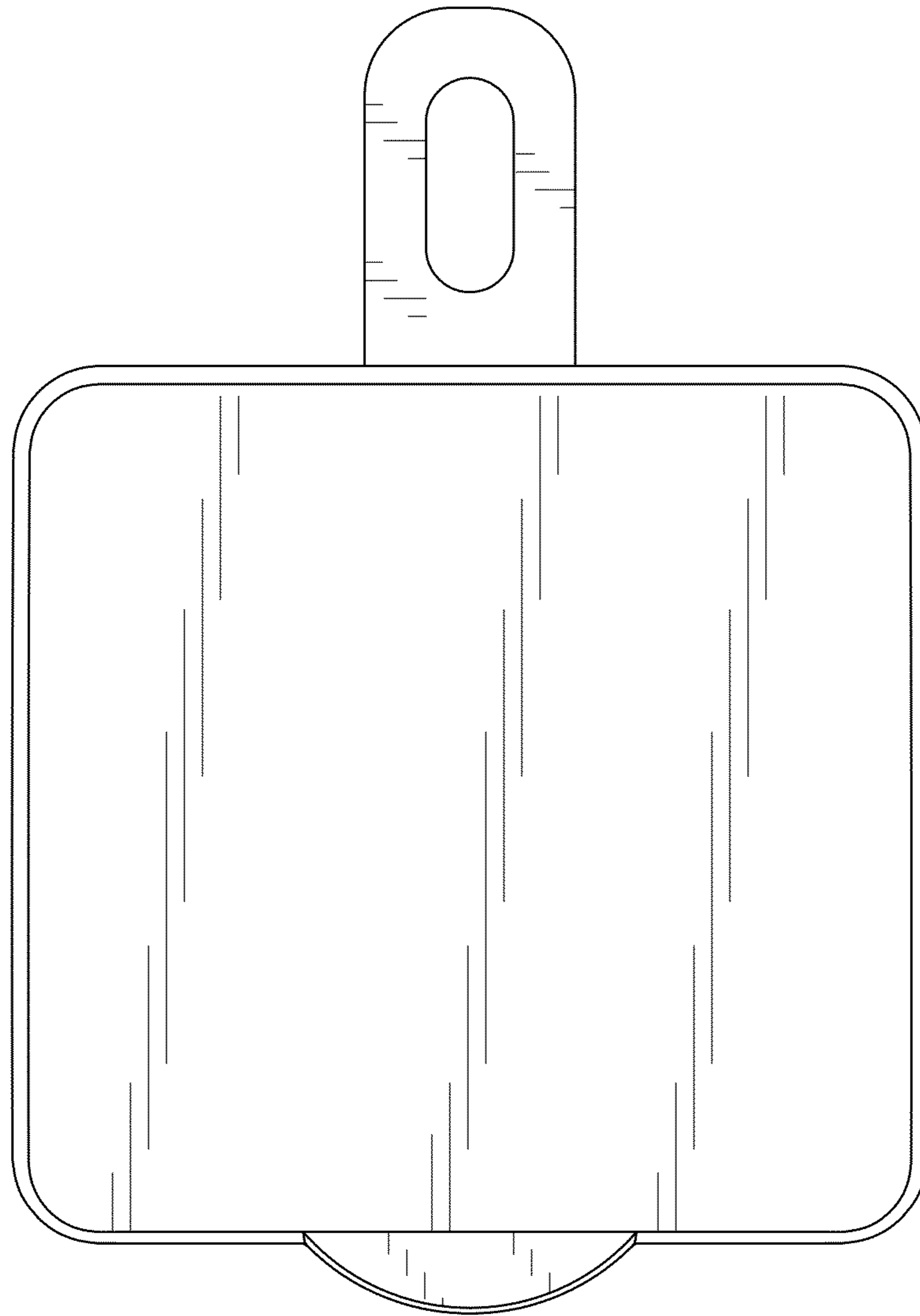


FIG.6

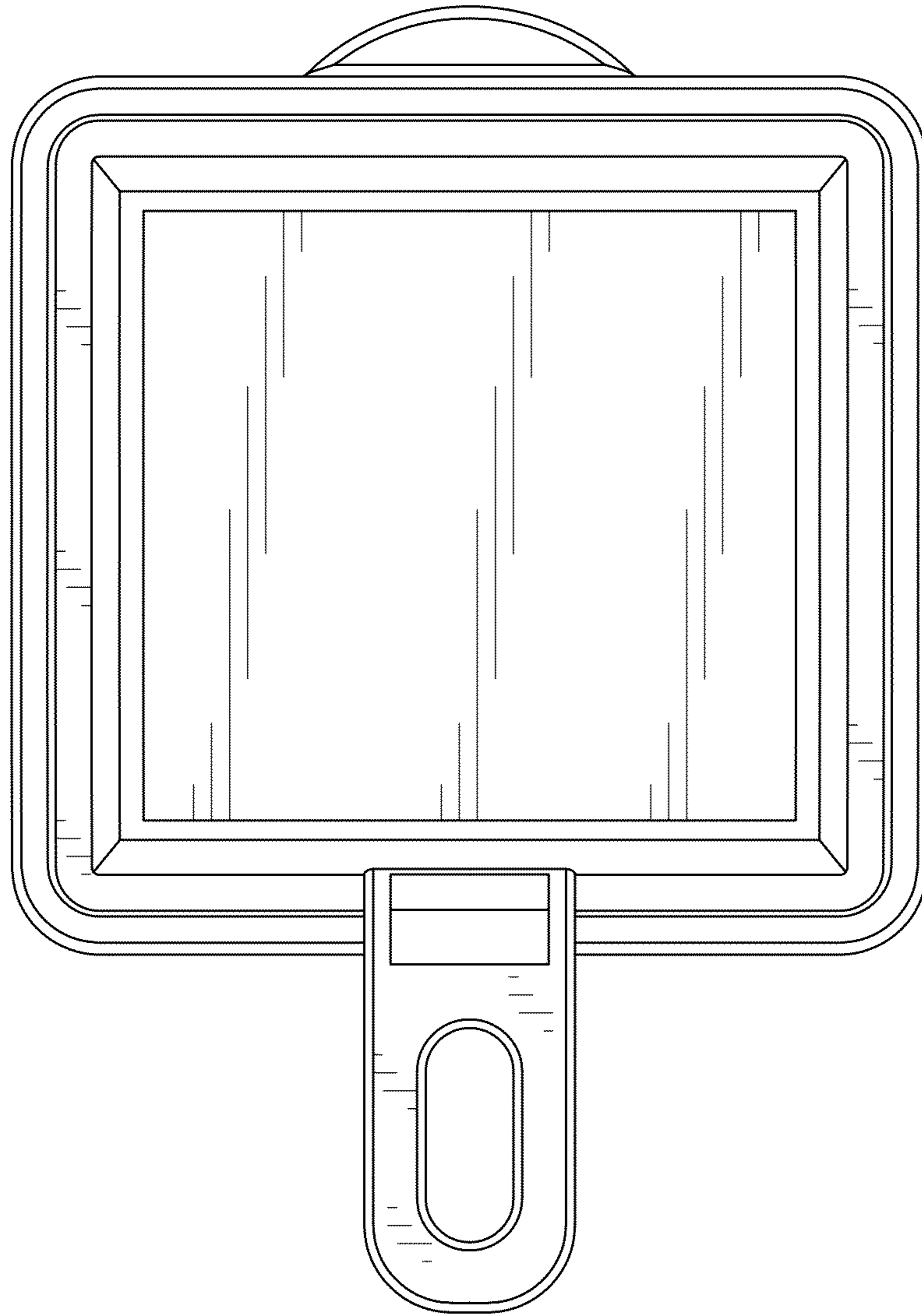


FIG.7

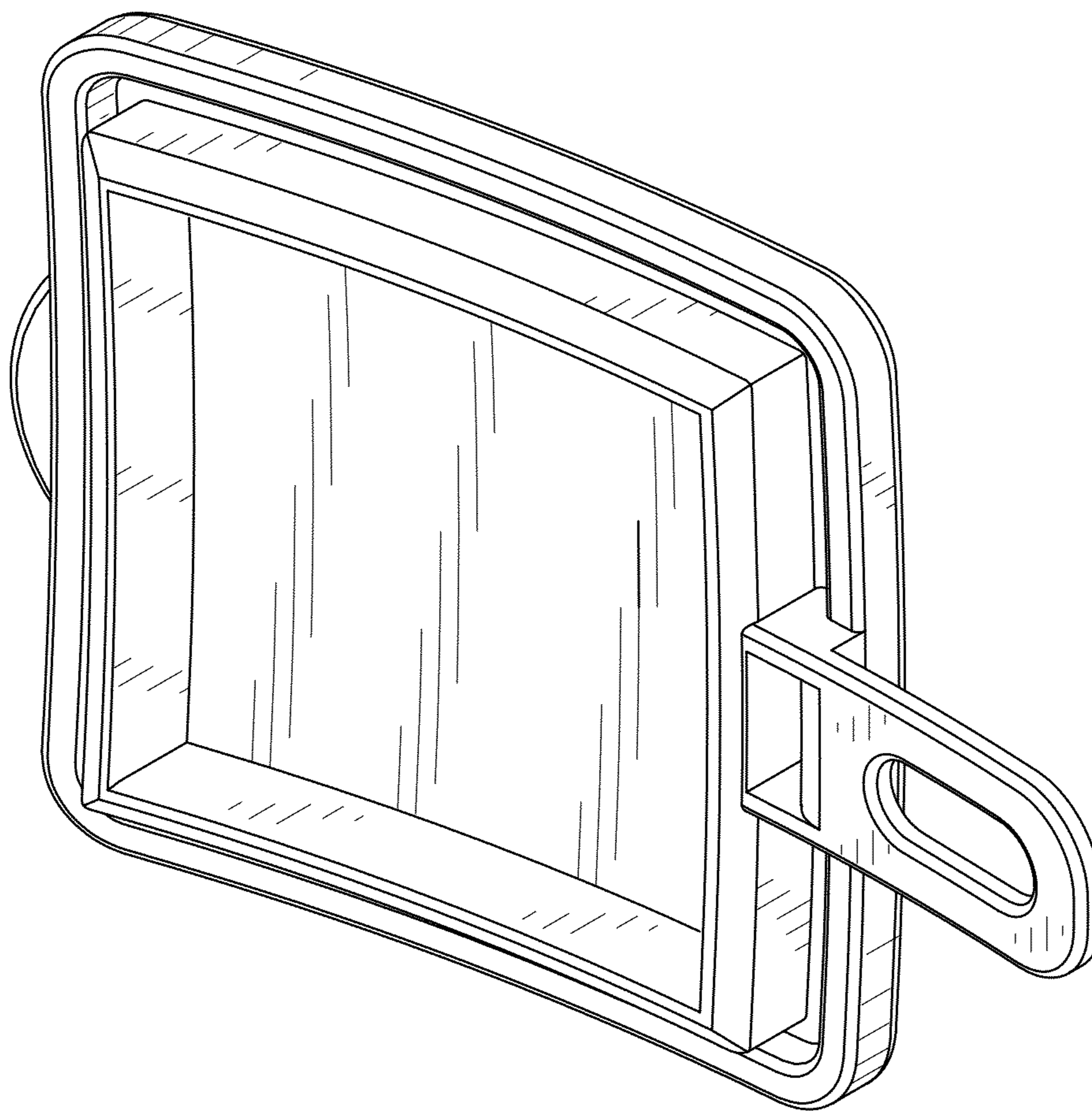


FIG.8

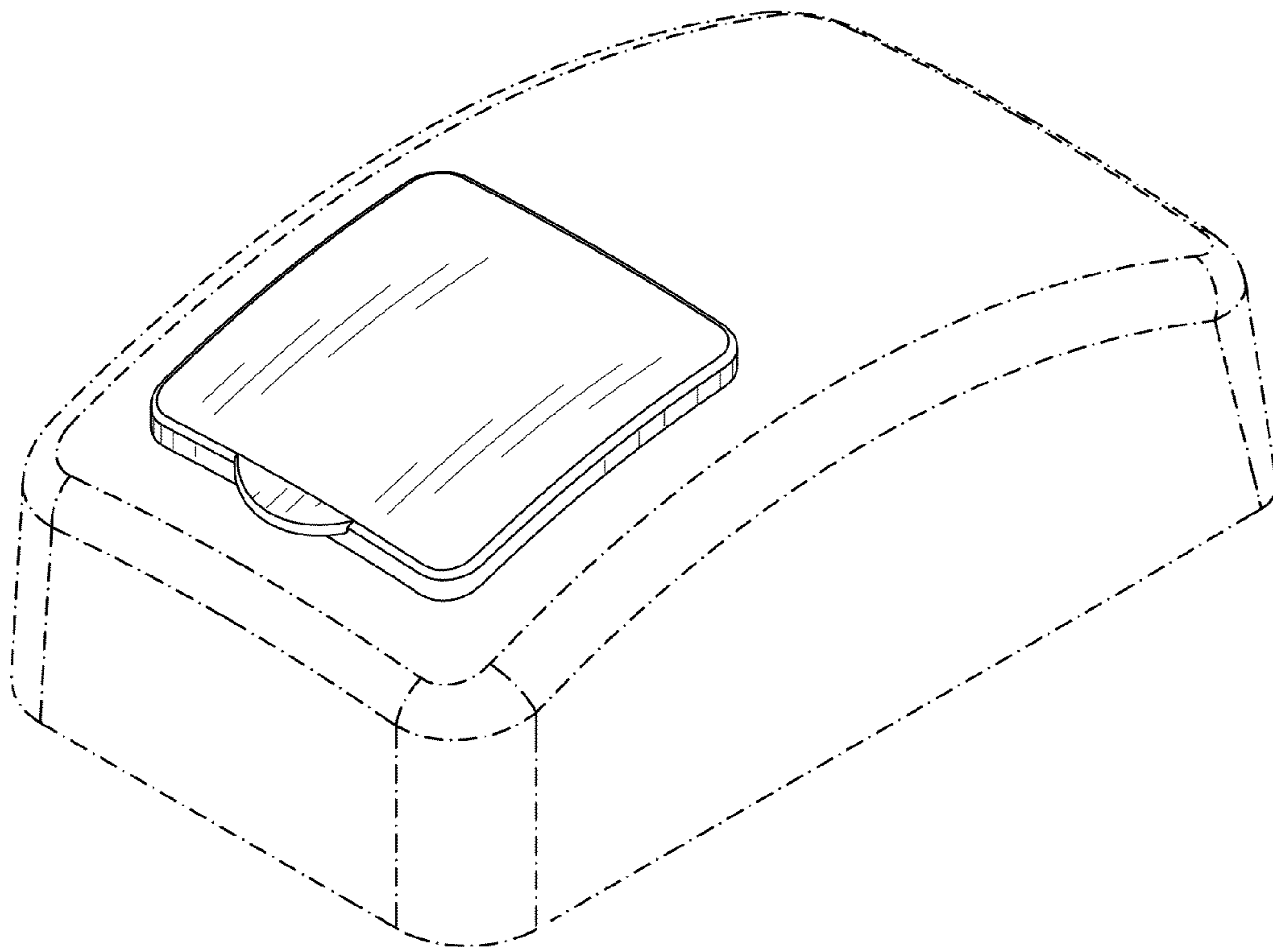


FIG.9