



US00D702525S

(12) **United States Design Patent**
Birchler et al.

(10) **Patent No.:** **US D702,525 S**

(45) **Date of Patent:** **** Apr. 15, 2014**

(54) **HANDLE**

(71) Applicant: **Cequent Consumer Products, Inc.**,
Solon, OH (US)

(72) Inventors: **Terry Birchler**, New Albany, OH (US);
Shawn Whetstone, New Albany, OH (US)

(73) Assignee: **Cequent Consumer Products, Inc.**,
Solon, OH (US)

(**) Term: **14 Years**

(21) Appl. No.: **29/450,030**

(22) Filed: **Mar. 15, 2013**

(51) **LOC (10) Cl.** **08-06**

(52) **U.S. Cl.**

CPC **E05B 5/00** (2013.01)

USPC **D8/309**

(58) **Field of Classification Search**

CPC **E05B 5/00**

USPC **D8/309, 300, 107, 338; 70/210, 209;**
81/436; 292/200, 210; 74/606 R, 545,
74/547

See application file for complete search history.

(56) **References Cited**

U.S. PATENT DOCUMENTS

1,555,352	A	*	9/1925	Brown	74/548
D129,919	S	*	10/1941	Floraday	D8/309
D198,202	S	*	5/1964	Morgan	D8/400
D336,233	S	*	6/1993	Zimmermann	D8/309
D369,741	S	*	5/1996	Harrison et al.	D8/400
D375,445	S	*	11/1996	Harrison et al.	D8/309
D421,209	S	*	2/2000	Buckland	D8/338
D451,781	S	*	12/2001	Vande Steeg et al.	D8/309
D459,982	S	*	7/2002	Vande Steeg et al.	D8/400
D461,391	S	*	8/2002	Houdek et al.	D8/320
D487,012	S	*	2/2004	Stoll et al.	D8/337

D494,835	S	*	8/2004	Huml	D8/309
6,868,703	B2	*	3/2005	Molzer	70/210
D513,165	S	*	12/2005	Loewenthal	D8/309
D520,329	S	*	5/2006	Schlack et al.	D8/302
D554,489	S	*	11/2007	Sato	D8/400

* cited by examiner

Primary Examiner — Paula Greene

(74) *Attorney, Agent, or Firm* — McDonald Hopkins LLC

(57) **CLAIM**

The ornamental design for a handle, as shown and described.

DESCRIPTION

FIG. 1 is a perspective view of a handle showing our new design;

FIG. 2 is a front view thereof;

FIG. 3 is a rear view thereof;

FIG. 4 is a first side view thereof;

FIG. 5 is a second side view thereof;

FIG. 6 is a top view thereof;

FIG. 7 is a bottom view thereof; and

FIG. 8 is a perspective view of the handle attached with a winch;

FIG. 9 is a perspective view of the handle attached with a jack;

FIG. 10 is a perspective view of a second embodiment of a handle showing our new design;

FIG. 11 is a front view thereof;

FIG. 12 is a rear view thereof;

FIG. 13 is a first side view thereof;

FIG. 14 is a second side view thereof;

FIG. 15 is a top view thereof;

FIG. 16 is a bottom view thereof; and,

FIG. 17 is a perspective view of the second embodiment of the handle attached with a jack.

The broken lines in the figures are included for the purpose of illustrating portions of a handle or illustrating environment and form no part of the claimed design.

1 Claim, 9 Drawing Sheets

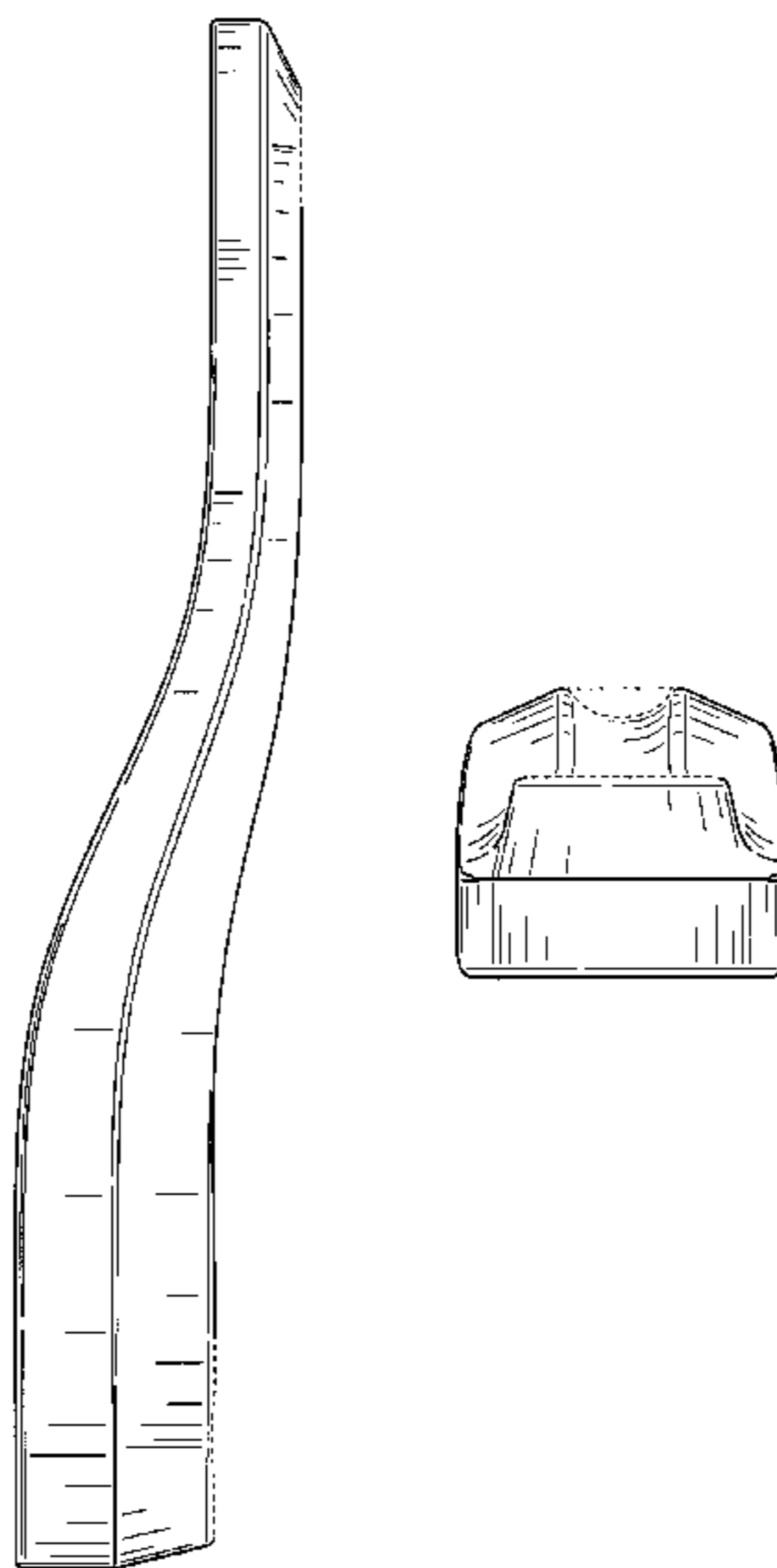




FIG. 1

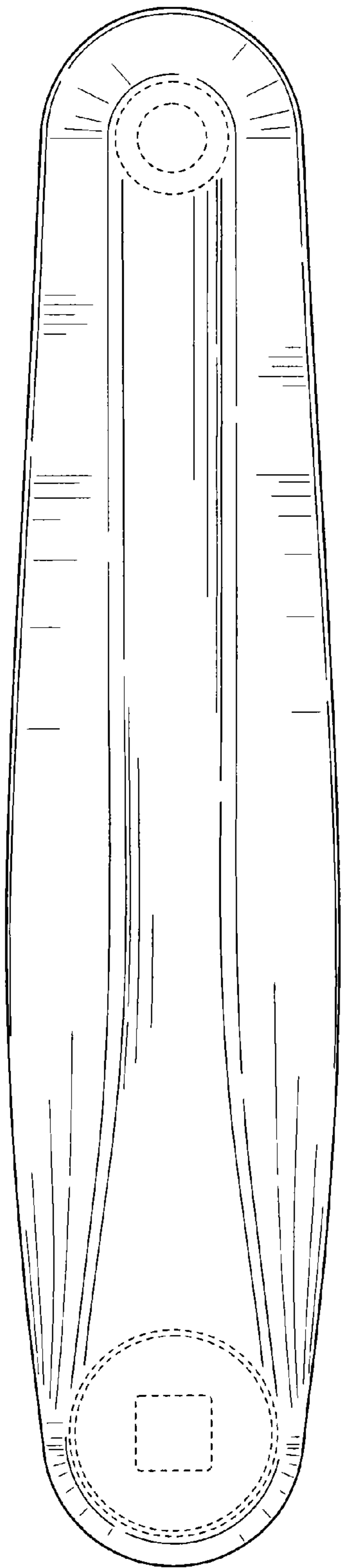


FIG. 2

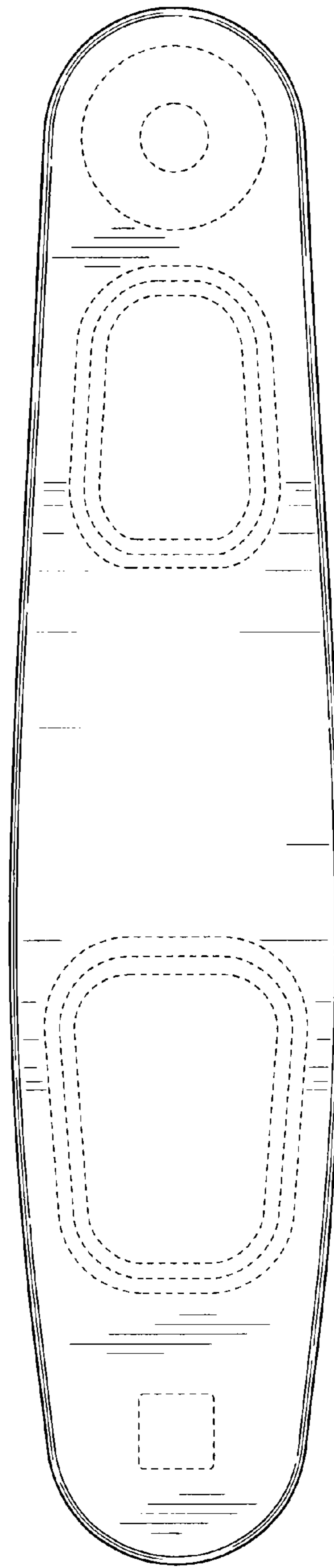


FIG. 3

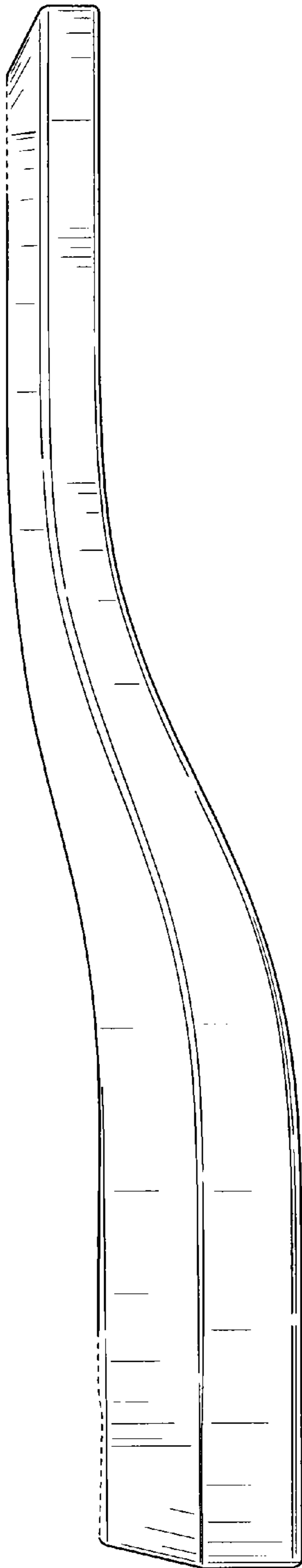


FIG. 4

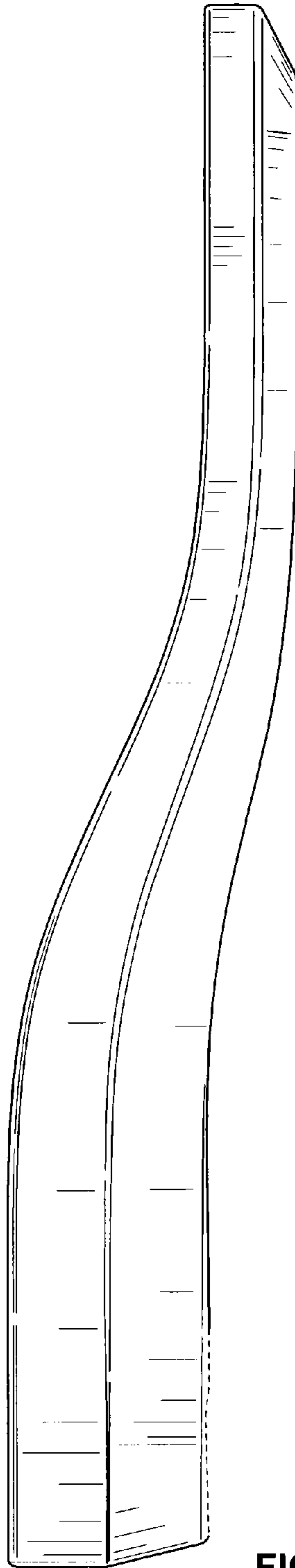


FIG. 5

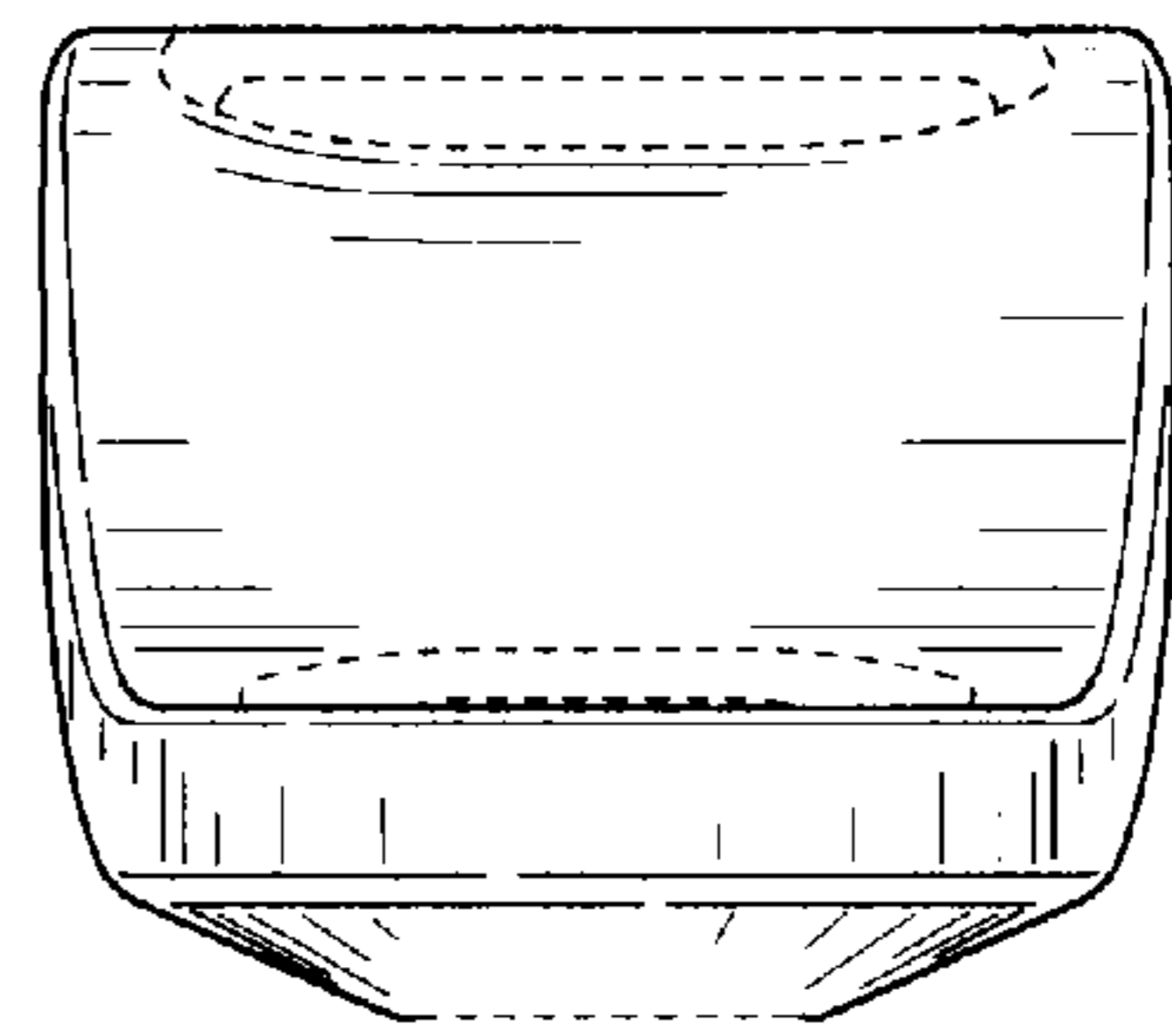


FIG. 6

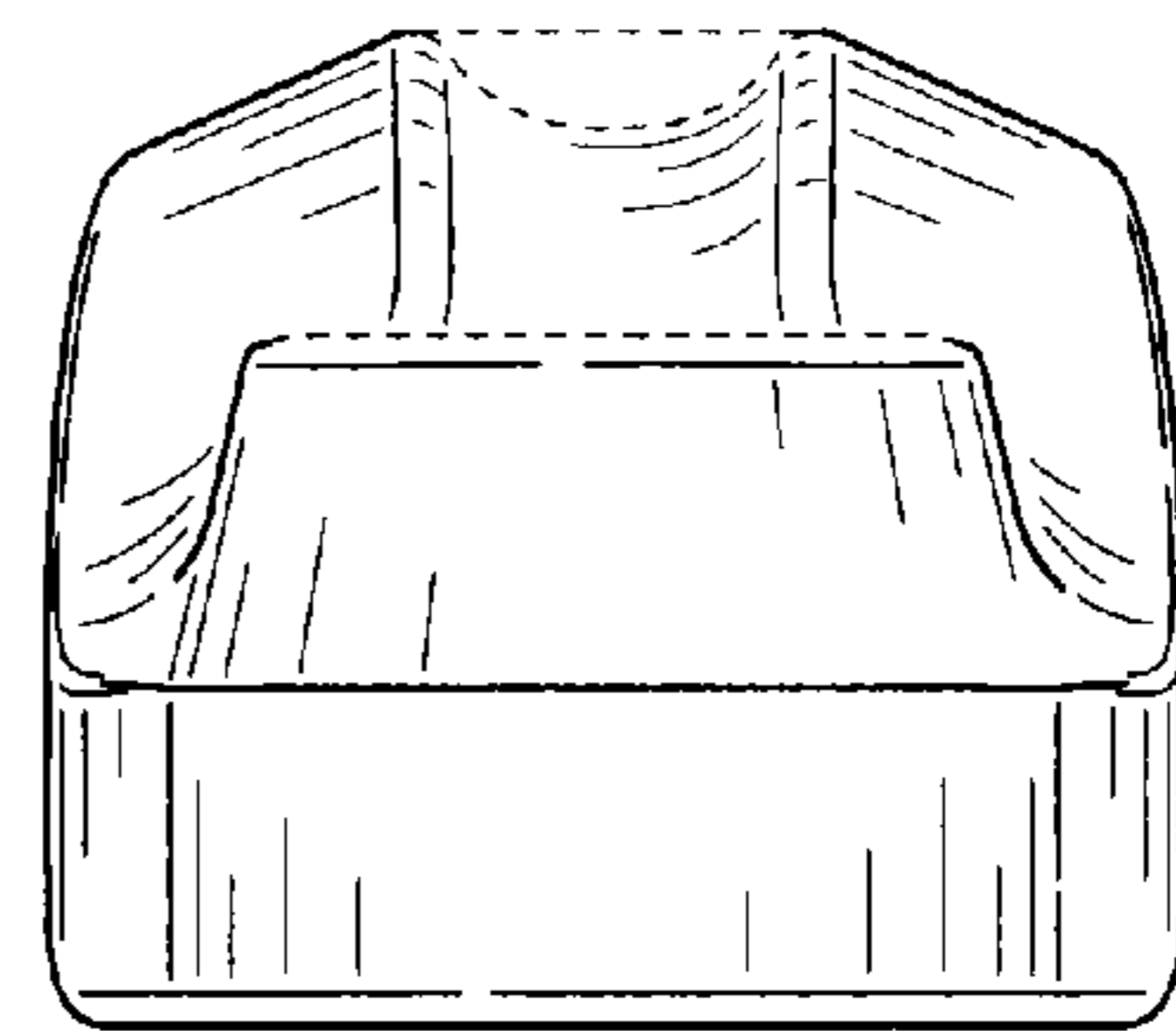


FIG. 7

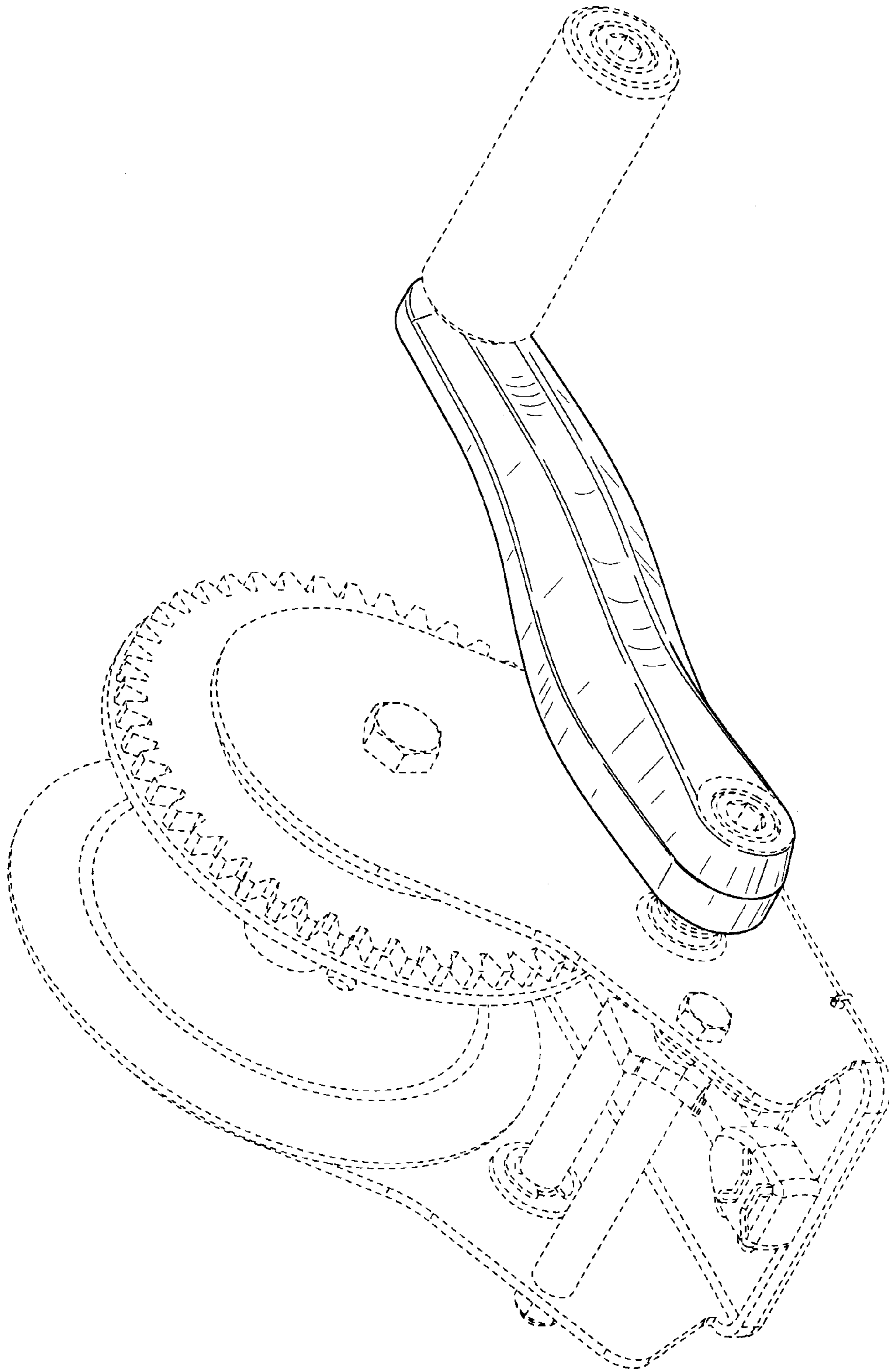


FIG. 8

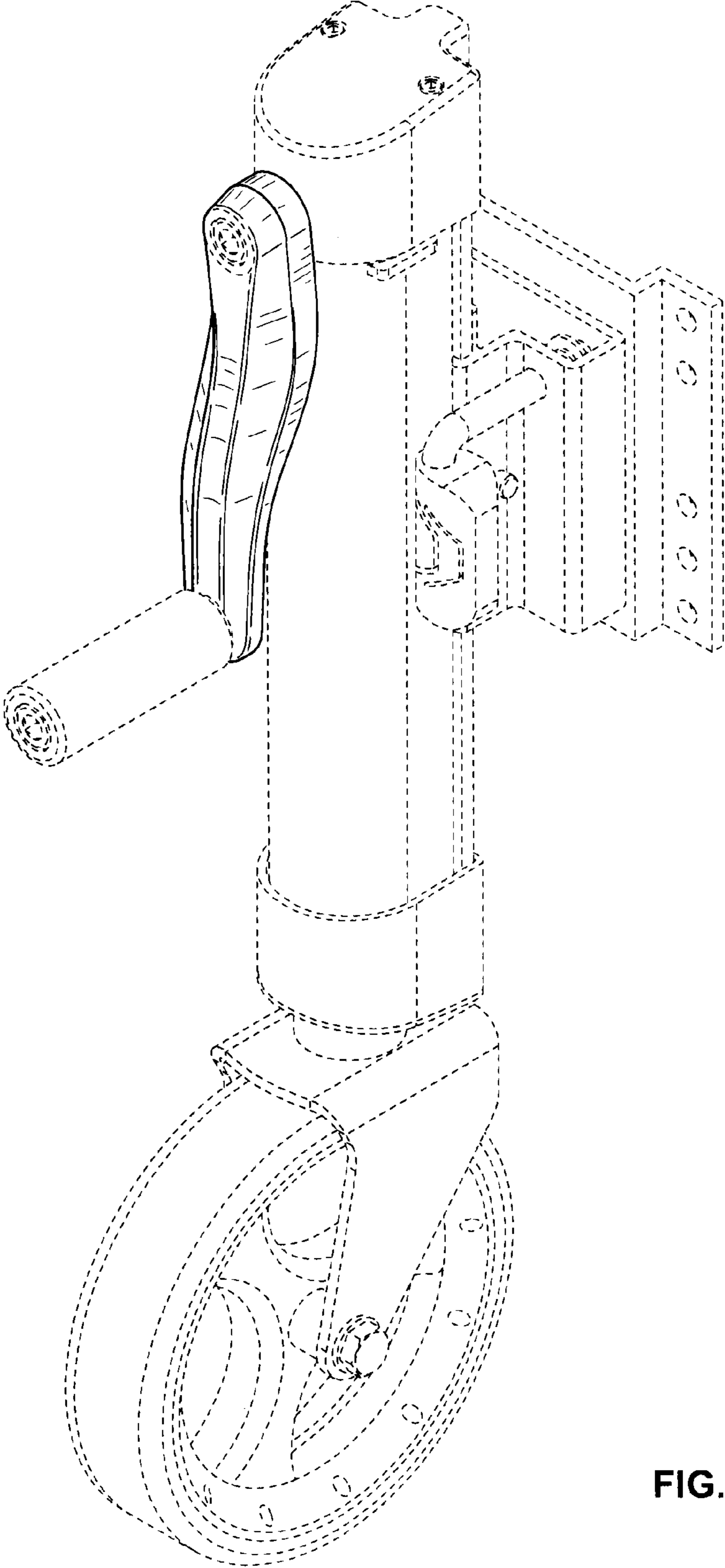


FIG. 9

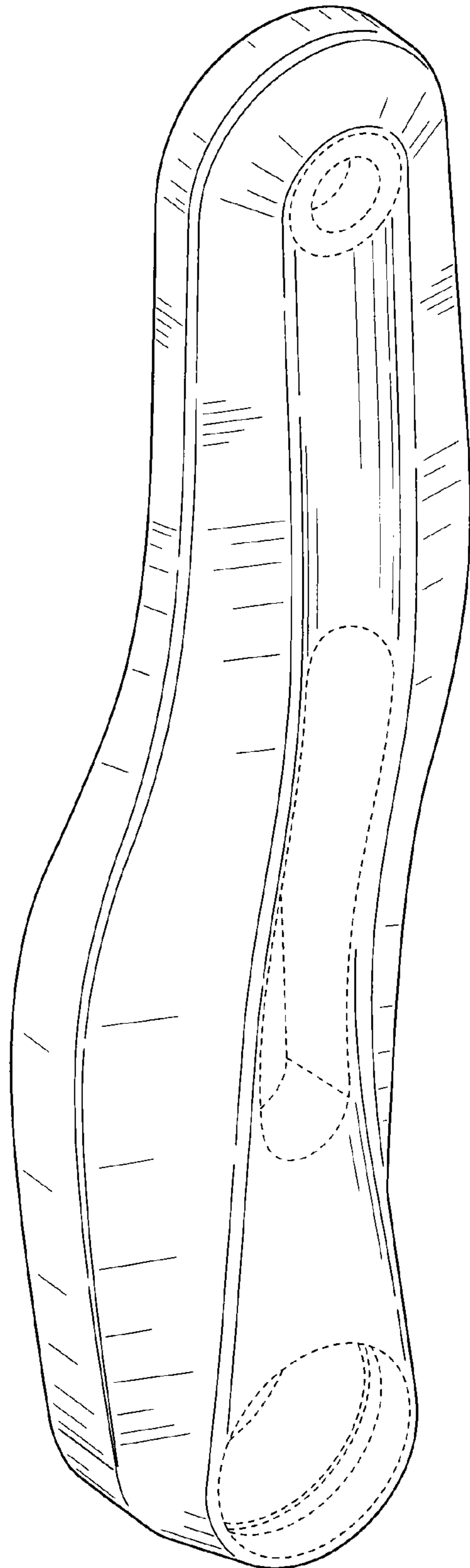


FIG. 10

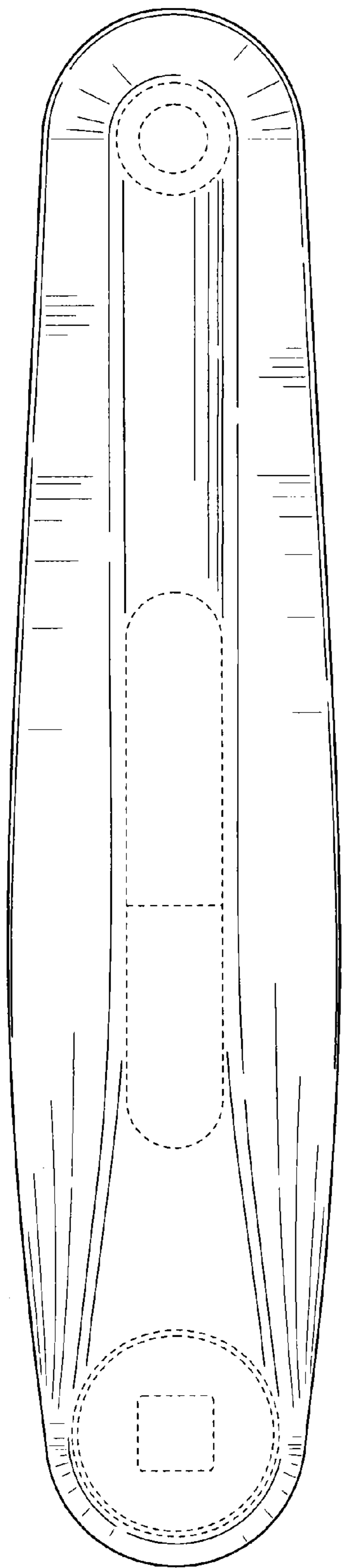


FIG. 11

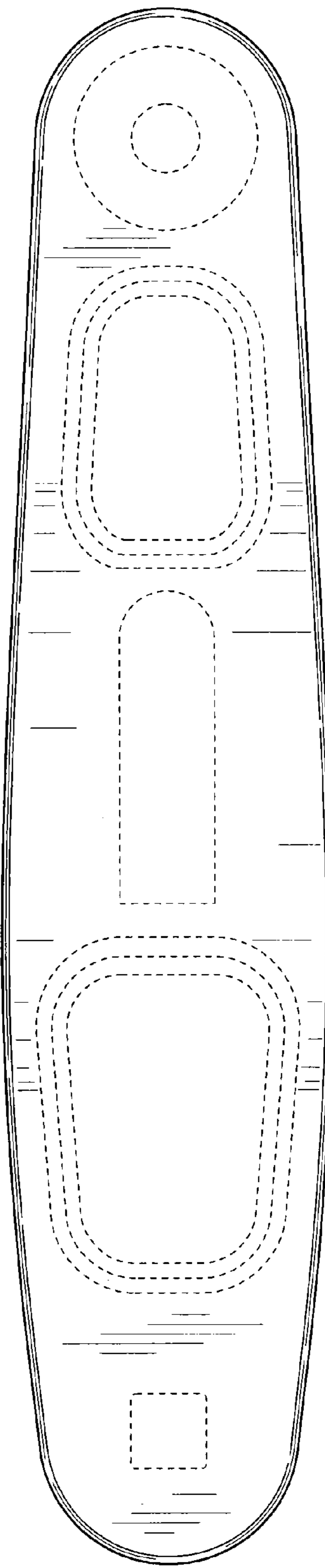


FIG. 12

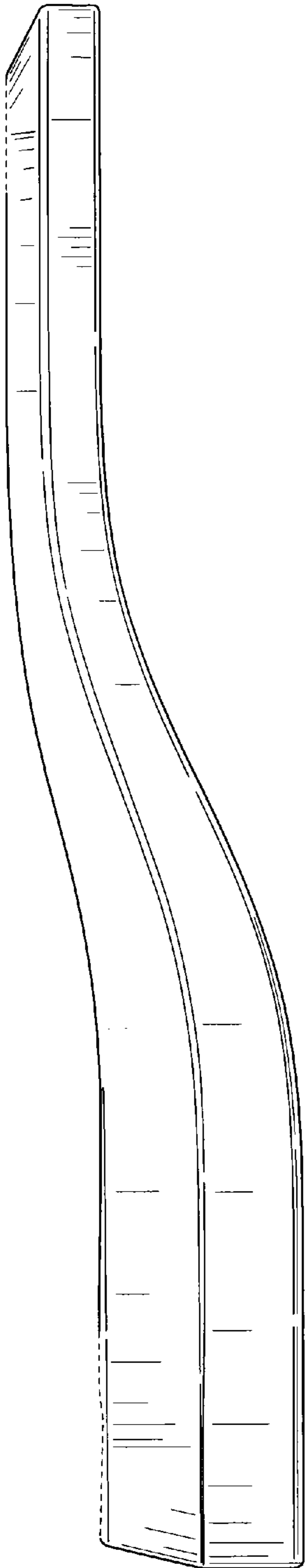


FIG. 13

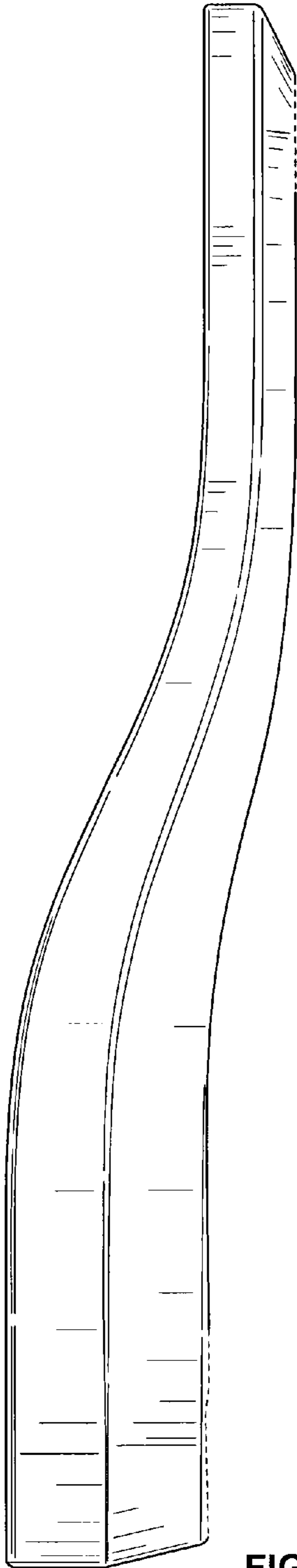


FIG. 14

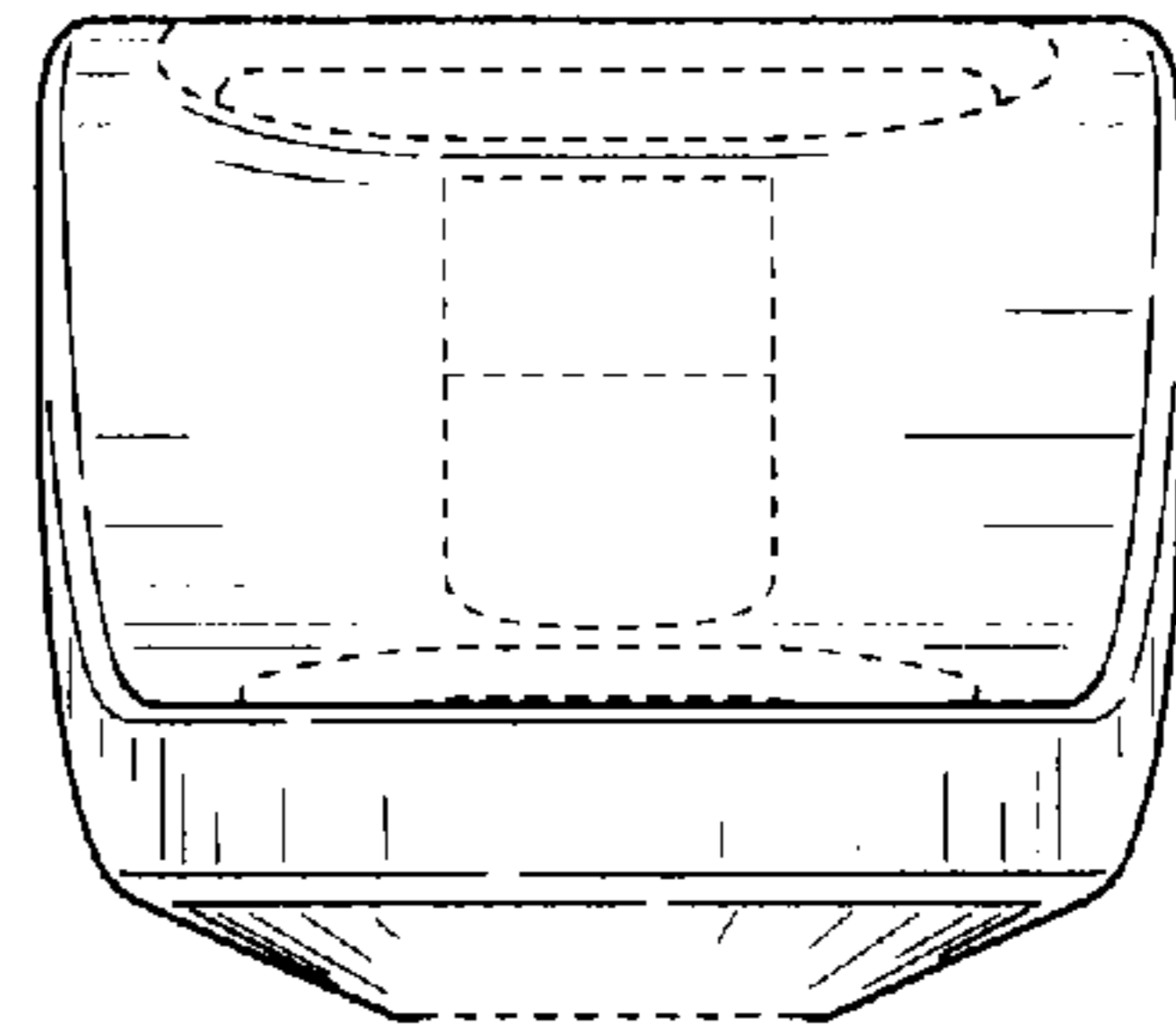


FIG. 15

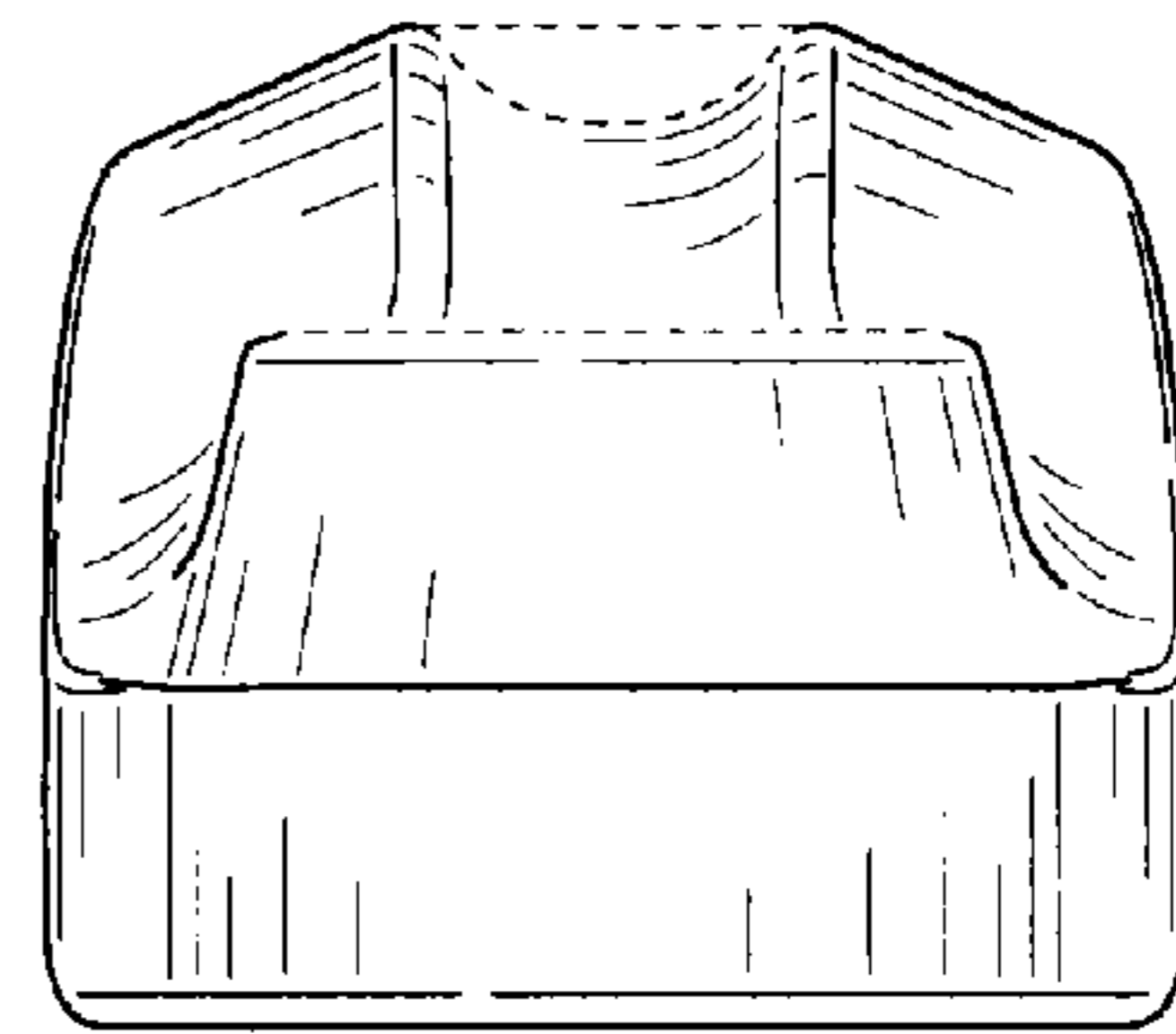


FIG. 16

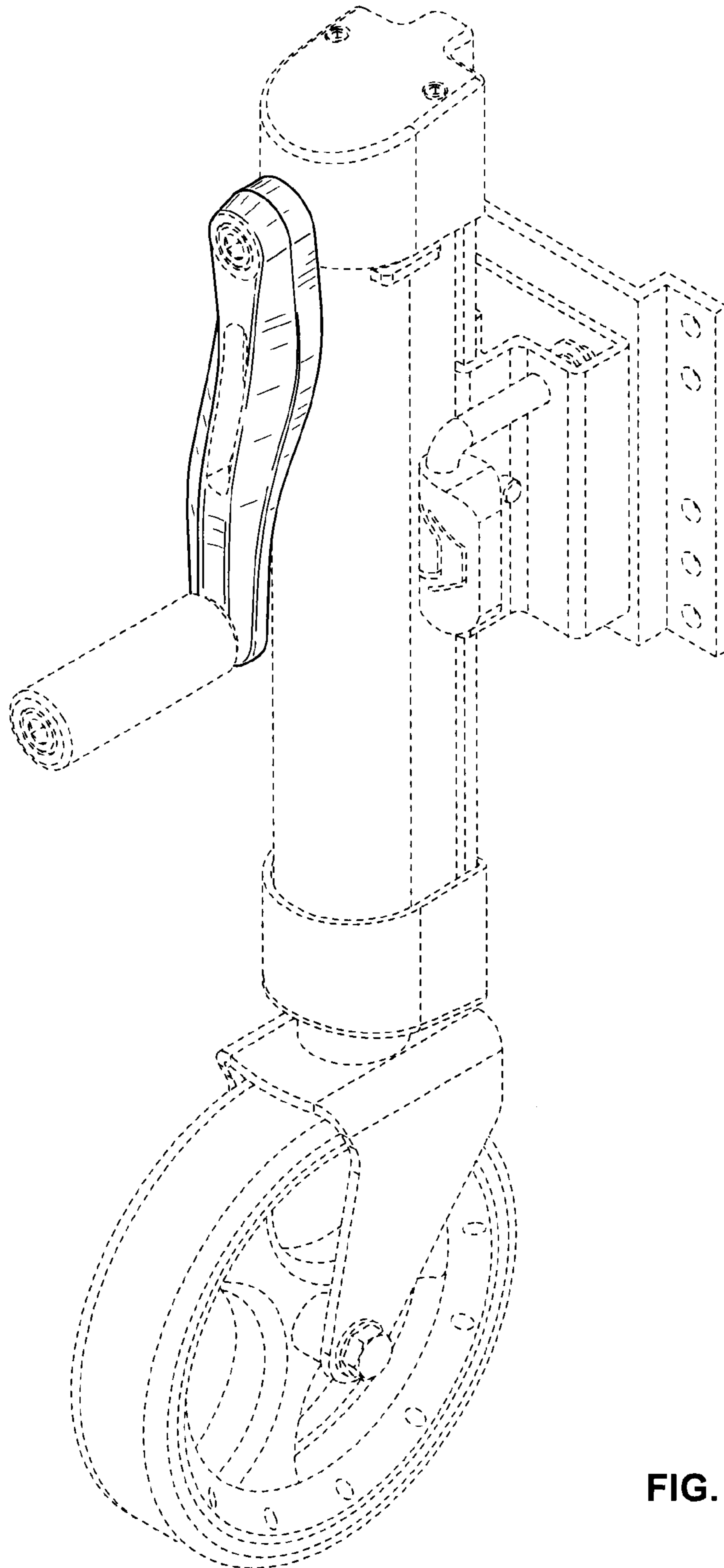


FIG. 17