



US00D702524S

(12) **United States Design Patent**
Nies et al.

(10) **Patent No.:** **US D702,524 S**
(45) **Date of Patent:** **** Apr. 15, 2014**

(54) **PRUNER**

(71) Applicant: **Melnor, Inc.**, Winchester, VA (US)

(72) Inventors: **Juergen Nies**, Winchester, VA (US); **Ha V. Duong**, Winchester, VA (US); **Vicky A. Michael**, Winchester, VA (US); **Sean Wesley Svendsen**, Gahanna, OH (US); **Eric James Fickas**, Powell, OH (US)

(73) Assignee: **Melnor, Inc.**, Winchester, VA (US)

(**) Term: **14 Years**

(21) Appl. No.: **29/446,334**

(22) Filed: **Feb. 22, 2013**

(51) **LOC (10) Cl.** **08-05**

(52) **U.S. Cl.**

CPC **A01G 3/02** (2013.01); **B25B 7/00** (2013.01)

USPC **D8/107**

(58) **Field of Classification Search**

USPC D8/107, 303, 5, 4, 52, 58; 30/287, 252, 30/254, 262, 261; 81/427.5; 294/16; 16/110.1, 421, 422, 427, 429, 430

See application file for complete search history.

(56) **References Cited**

U.S. PATENT DOCUMENTS

3,777,323 A * 12/1973 Ingram 7/107
6,134,994 A * 10/2000 Gomas 81/427.5
D464,554 S * 10/2002 Chen D8/107

D468,998 S * 1/2003 Zadak D8/373
6,598,300 B2 * 7/2003 Huang 30/262
D486,716 S * 2/2004 Levine et al. D8/107
D494,040 S * 8/2004 Phillips D8/107
D521,348 S * 5/2006 Walker D8/107
D523,723 S * 6/2006 Walker D8/107
D544,770 S * 6/2007 Yang D8/52
D577,563 S * 9/2008 Chen D8/107
D600,092 S * 9/2009 Peterson et al. D8/107
D618,980 S * 7/2010 Wang D8/107
D631,322 S * 1/2011 Wong D8/107
D691,433 S * 10/2013 Nies et al. D8/5

* cited by examiner

Primary Examiner — Paula Greene

(74) *Attorney, Agent, or Firm* — Westerman, Hattori, Daniels & Adrian, LLP

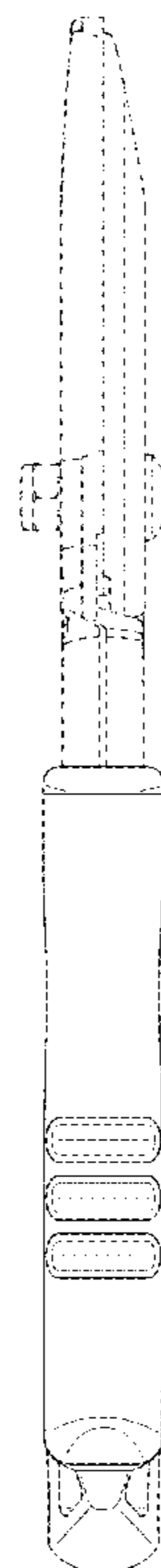
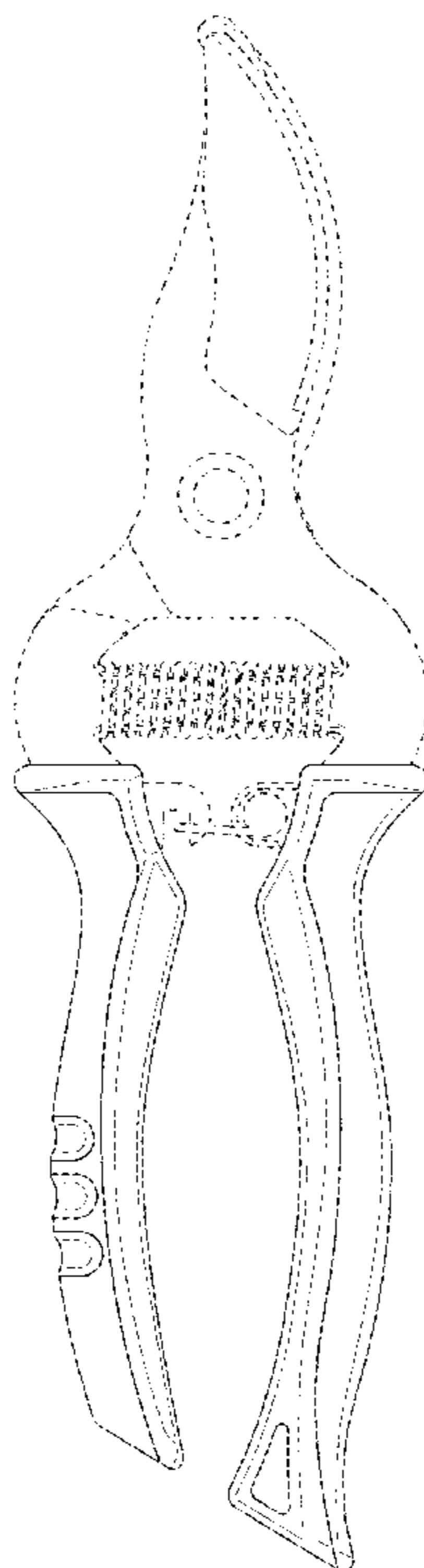
(57) **CLAIM**

An ornamental design for a pruner, as shown and described.

DESCRIPTION

FIG. 1 is a perspective view of a pruner;
FIG. 2 is a front view thereof;
FIG. 3 is a back view thereof;
FIG. 4 is a left side view thereof;
FIG. 5 is a right side view thereof;
FIG. 6 is a top view thereof; and,
FIG. 7 is a bottom view thereof.
The broken lines illustrate environmental structure only and form no part of the claimed design.

1 Claim, 6 Drawing Sheets



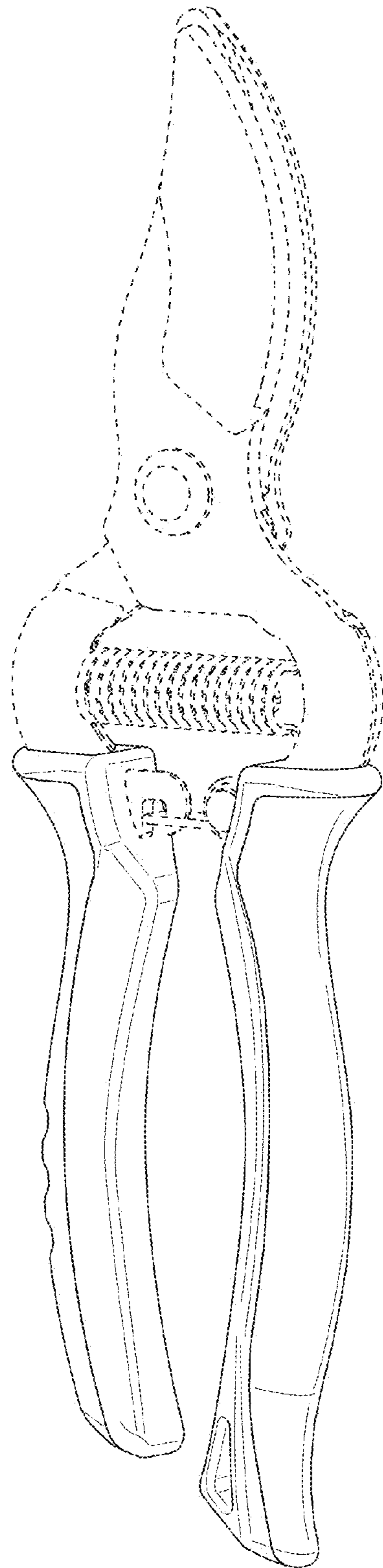


FIG. 1

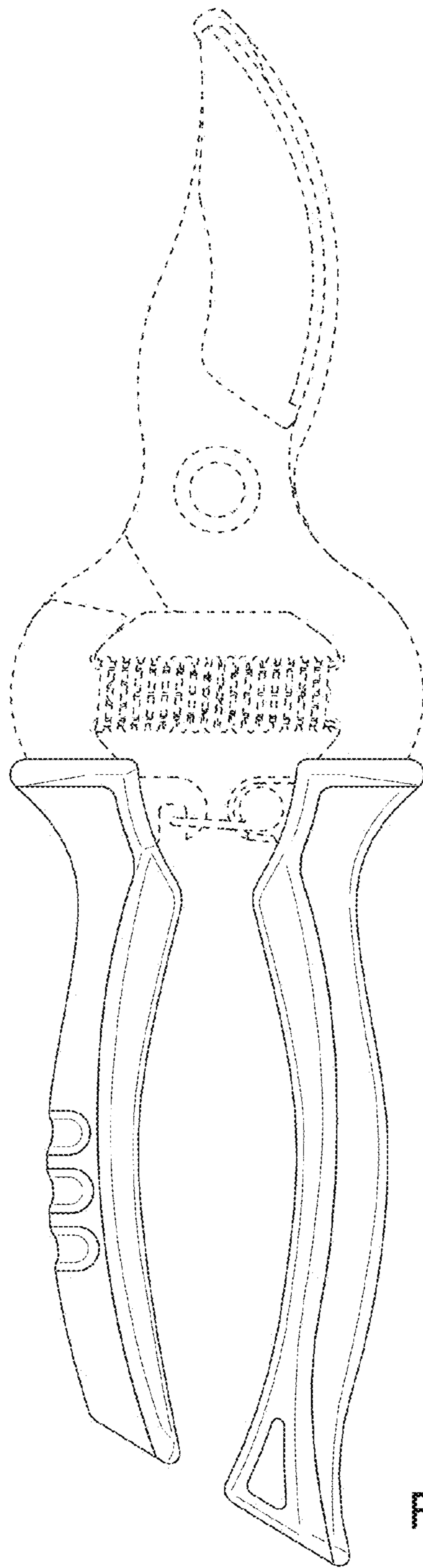


FIG. 2

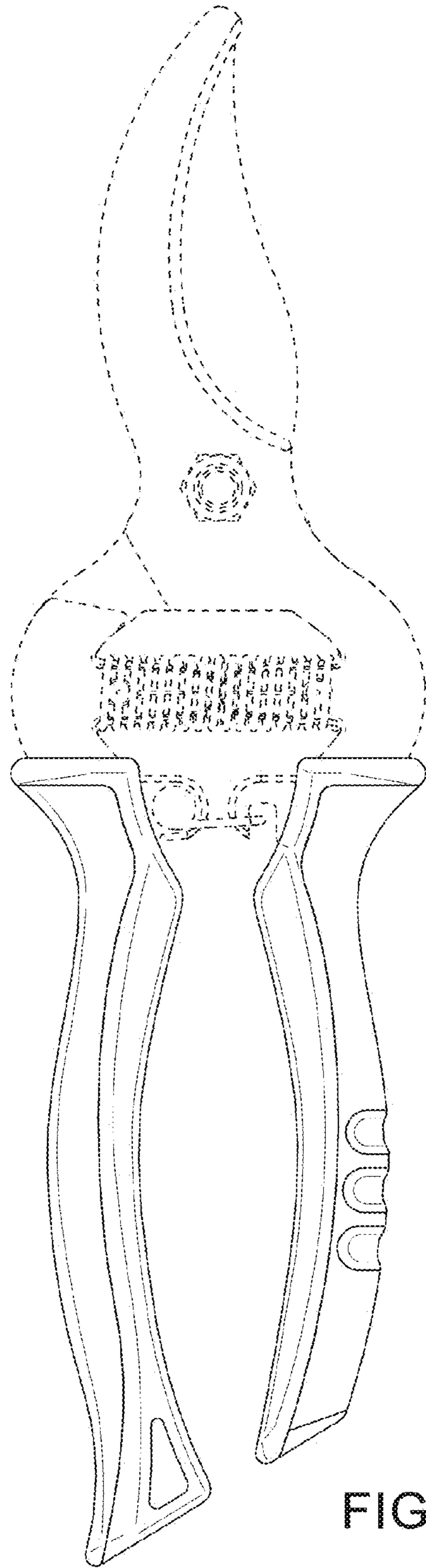


FIG. 3

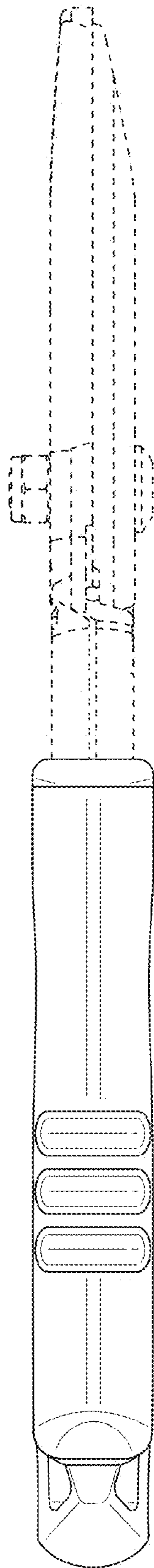


FIG.4

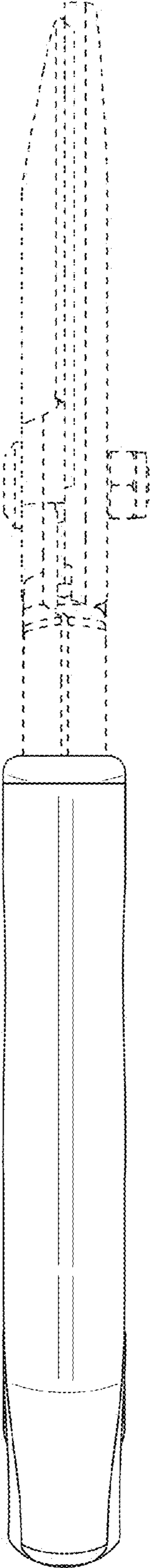


FIG.5

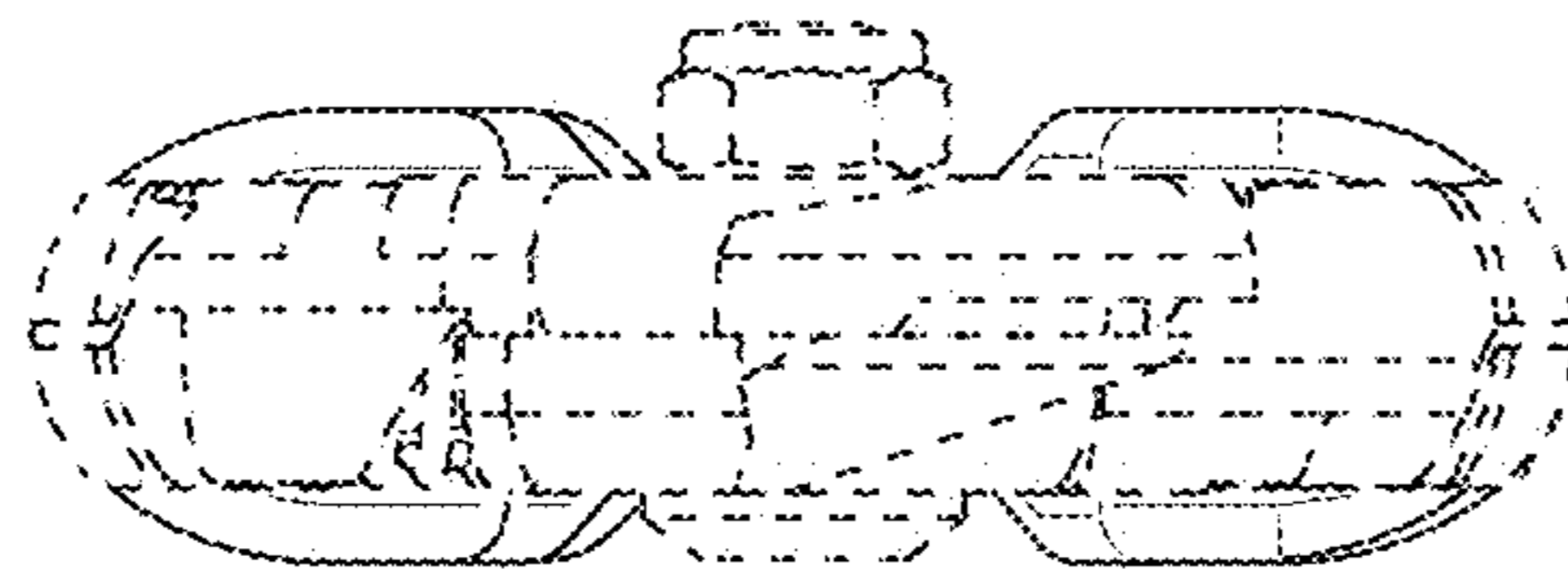


FIG. 6

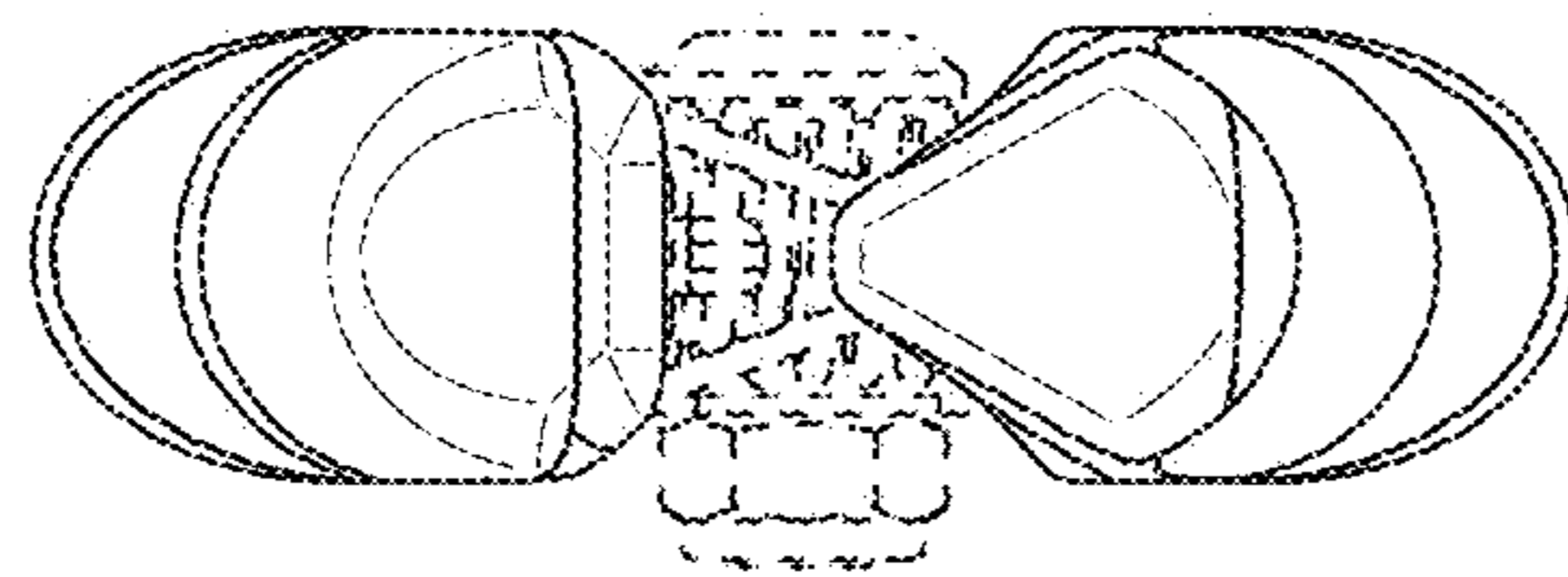


FIG. 7