



US00D702523S

(12) **United States Design Patent**
Ingram

(10) **Patent No.:** **US D702,523 S**

(45) **Date of Patent:** **** Apr. 15, 2014**

(54) **CRATE ASSEMBLY JIG DEVICE**
(71) Applicant: **Michael D. Ingram**, McHenry, IL (US)
(72) Inventor: **Michael D. Ingram**, McHenry, IL (US)
(**) Term: **14 Years**

D298,795 S * 12/1988 Belsham D8/71
4,960,235 A 10/1990 Gregory
D358,750 S * 5/1995 Regitko et al. D8/71
5,481,813 A 1/1996 Templeton
D371,301 S * 7/1996 Jacoff D8/71
5,707,375 A 1/1998 Durham et al.
5,813,306 A * 9/1998 Jacoff 83/762

(Continued)

(21) Appl. No.: **29/445,187**
(22) Filed: **Feb. 8, 2013**
(51) **LOC (10) Cl.** **08-05**
(52) **U.S. Cl.**
USPC **D8/71**
(58) **Field of Classification Search**
USPC D8/14, 16, 24, 51, 70, 71, 72, 73, 74,
D8/349, 354, 355, 373, 394, 395, 396;
D15/28, 125, 130, 133, 136, 138, 140,
D15/199; D16/242; D19/59, 66, 74, 77;
D24/128, 135, 143, 155, 169, 187,
D24/232; D6/567, 574, 676, 684; D7/637;
83/762, 763, 764, 765, 766, 767;
269/139, 283

See application file for complete search history.

(56) **References Cited**

U.S. PATENT DOCUMENTS

2,597,876 A 5/1952 Kurkjian
2,816,790 A 12/1957 Johnson
2,829,369 A 4/1958 Browning
2,985,369 A 5/1961 Hibbard et al.
3,643,937 A * 2/1972 Russ 269/251
3,765,588 A 10/1973 Frederickson
4,139,036 A 2/1979 Regan et al.
4,300,755 A * 11/1981 Potvin 269/87.2
4,367,778 A 1/1983 Bradbury
D271,660 S * 12/1983 Elmore et al. D8/71
4,461,196 A * 7/1984 Schramm, II 83/13
4,465,115 A 8/1984 Palomera
D277,932 S * 3/1985 Baptiste D8/71

OTHER PUBLICATIONS

Kreg Jig. Master System. Quick Start Guide. Apr. 3, 2009 [online],
[retrieved on Nov. 14, 2013]. Retrieved from the Internet <URL:
https://www.kregtool.com/prodimages/kreg_jig_quick_start_guide_1.pdf>.*

Primary Examiner — Phillip S Hyder
Assistant Examiner — Darlington Ly
(74) *Attorney, Agent, or Firm* — Meroni & Meroni, P.C.;
Charles F. Meroni, Jr.; Christopher J. Scott

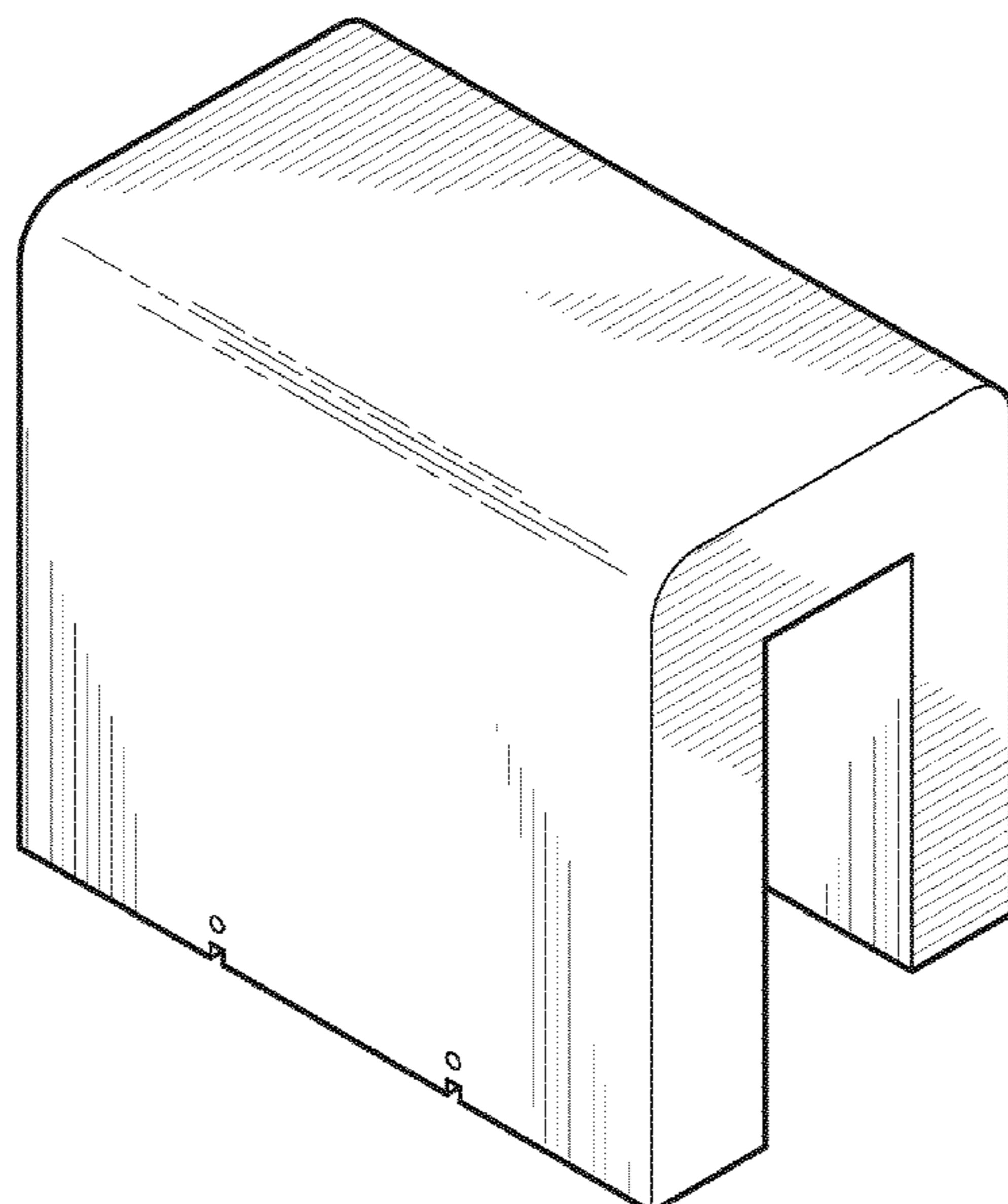
(57) **CLAIM**

The ornamental design for the crate assembly jig device, as shown and described.

DESCRIPTION

FIG. 1 is a top perspective of the crate assembly jig device;
FIG. 2 is a bottom perspective view of the crate assembly jig device;
FIG. 3 is a bottom plan view of the crate assembly jig device;
FIG. 4 is a rear elevational view of the crate assembly jig device;
FIG. 5 is a top plan view of the crate assembly jig device;
FIG. 6 is a front elevational view of the crate assembly jig device;
FIG. 7 is a left side elevational view of the crate assembly jig device; and,
FIG. 8 is a right side elevational view of the crate assembly jig device.

1 Claim, 4 Drawing Sheets



(56)

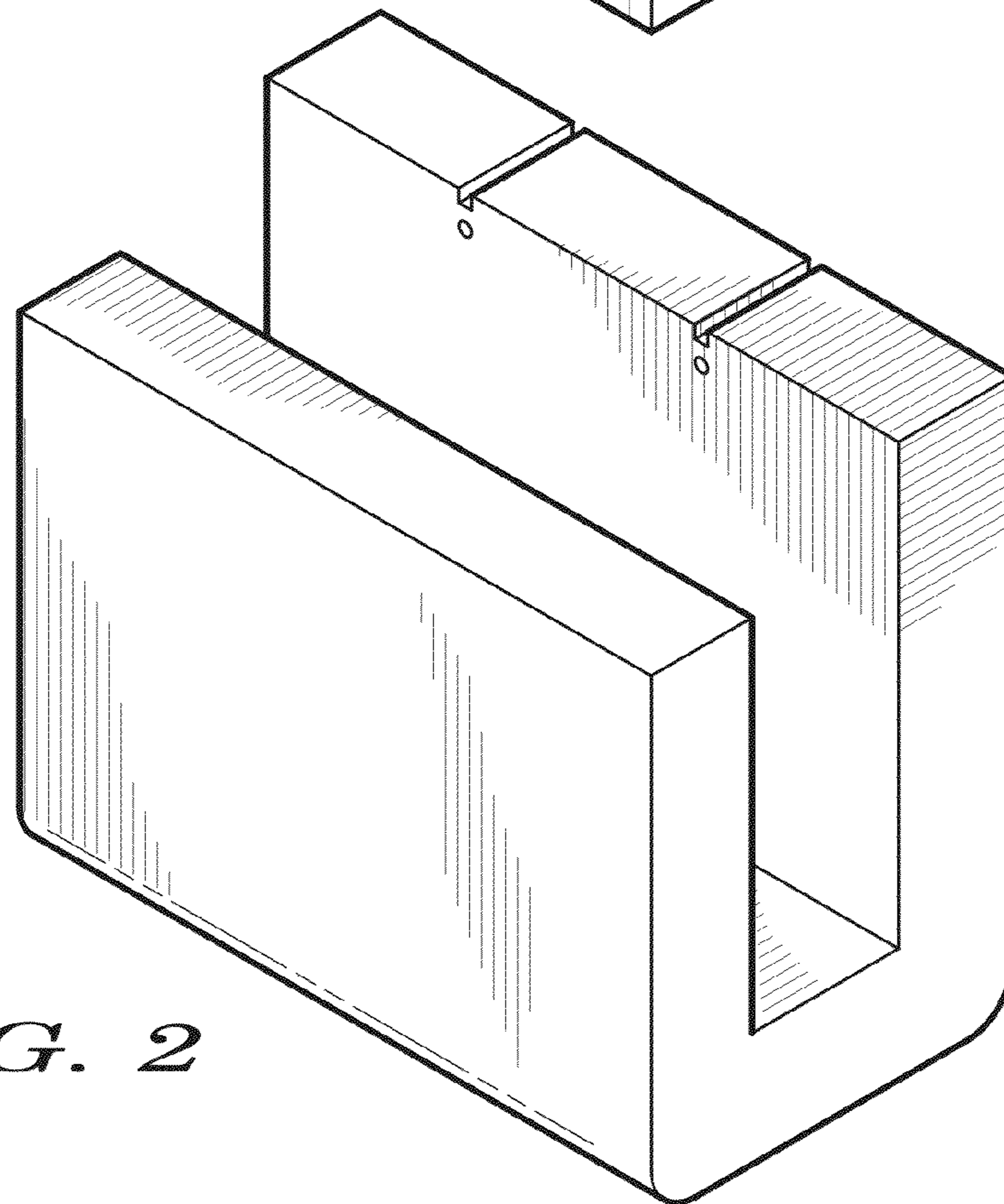
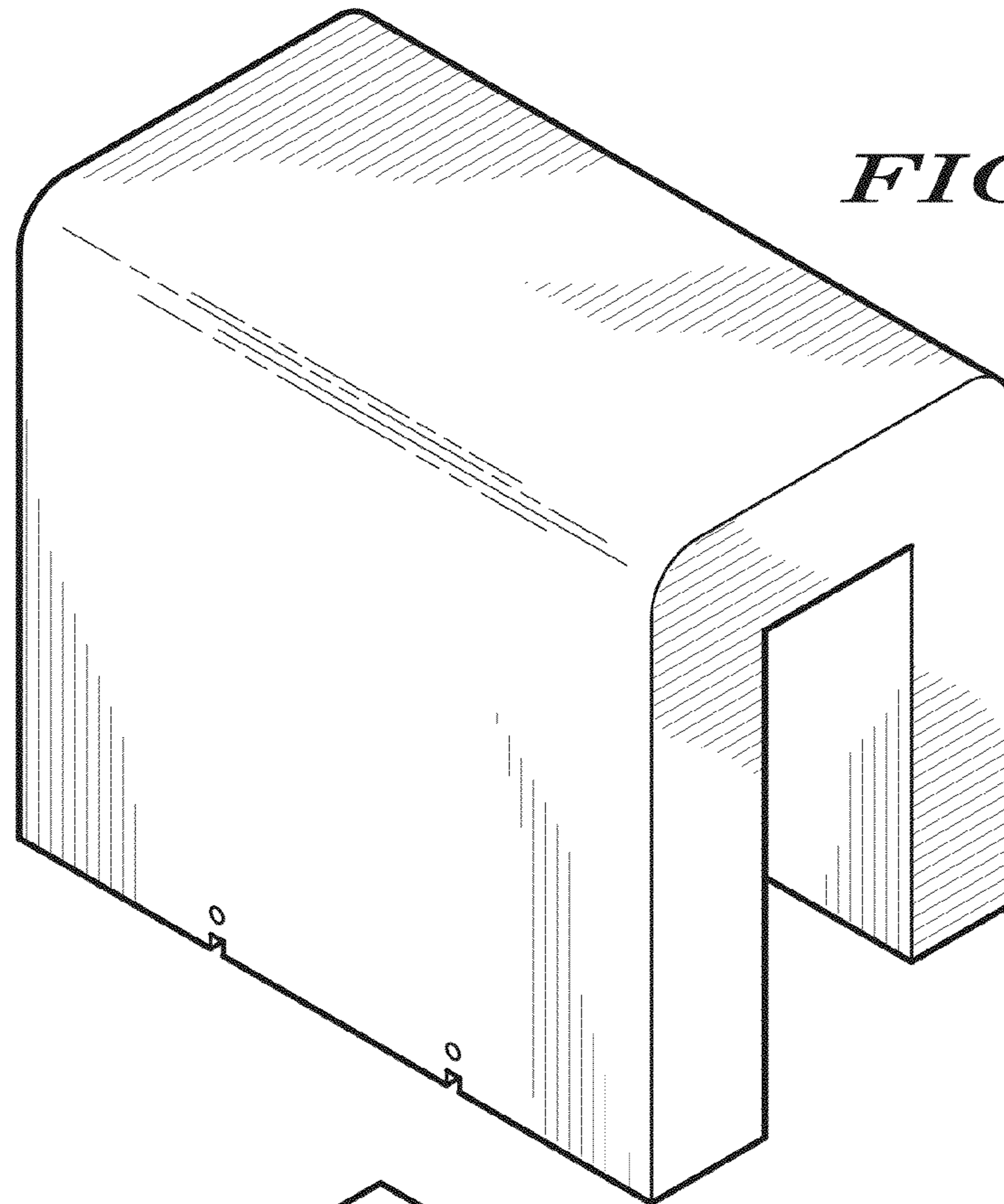
References Cited

U.S. PATENT DOCUMENTS

6,124,777 A 9/2000 Snider
D431,767 S * 10/2000 Jiminez et al. D8/71
6,357,101 B1 3/2002 Sarh et al.
7,753,913 B2 7/2010 Szakelyhidi, Jr. et al.

7,779,730 B2 8/2010 Jones
2005/0080427 A1 4/2005 Govari et al.
2005/0166742 A1* 8/2005 Collins et al. 83/762
2006/0042068 A1 3/2006 Whitworth et al.
2009/0056518 A1* 3/2009 Stein 83/743
2010/0249782 A1 9/2010 Durham

* cited by examiner



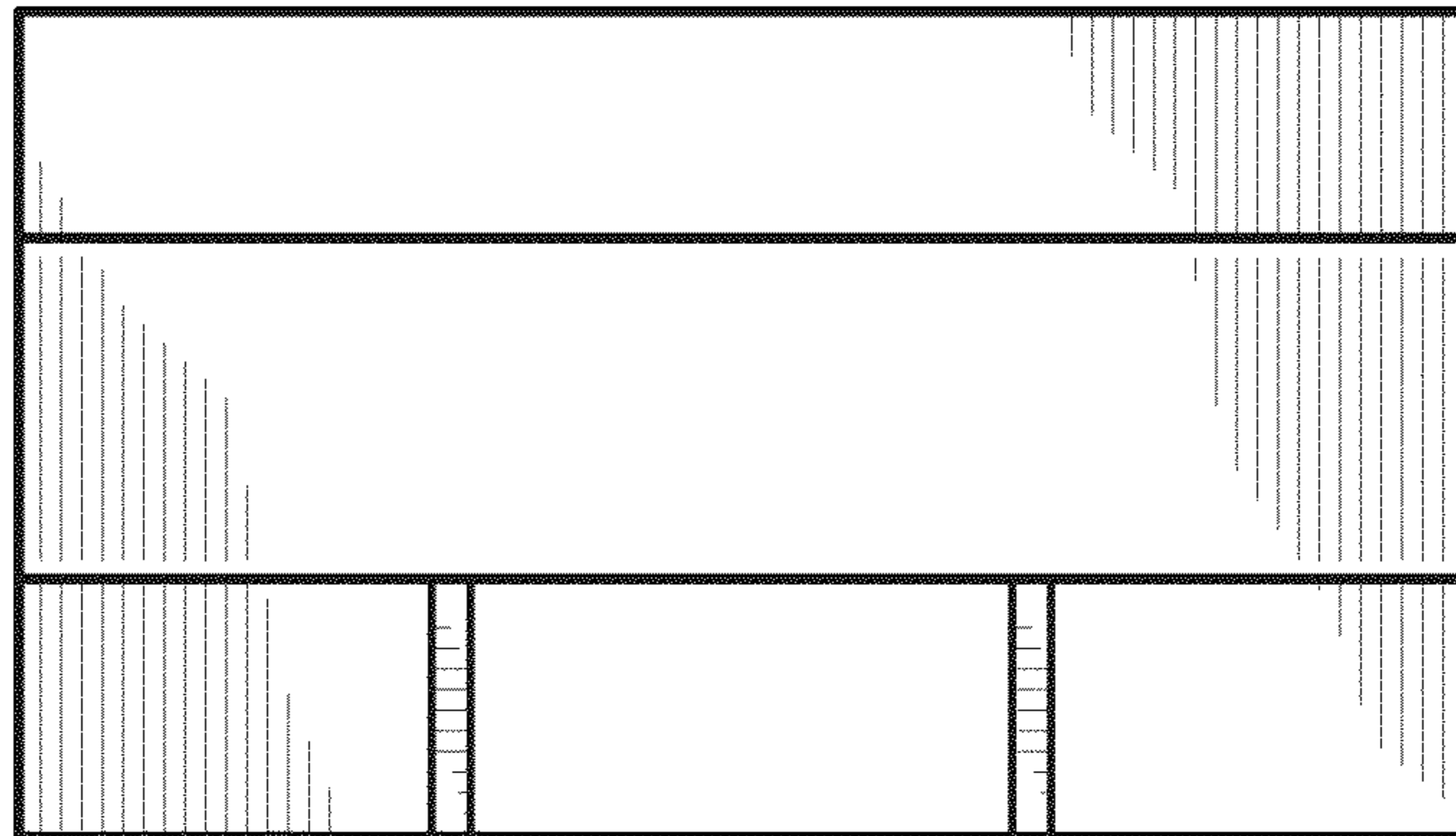


FIG. 3

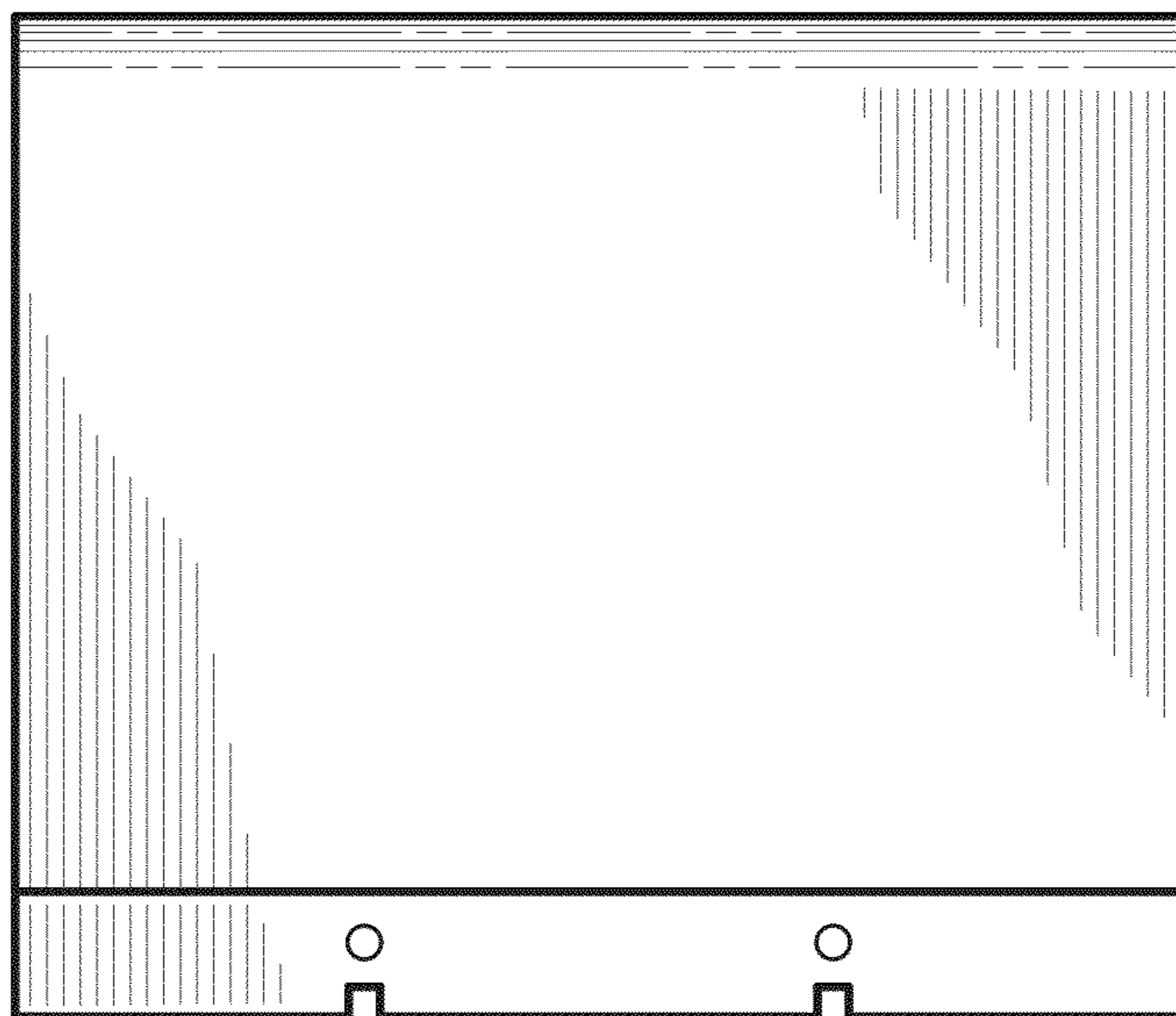


FIG. 4



FIG. 5

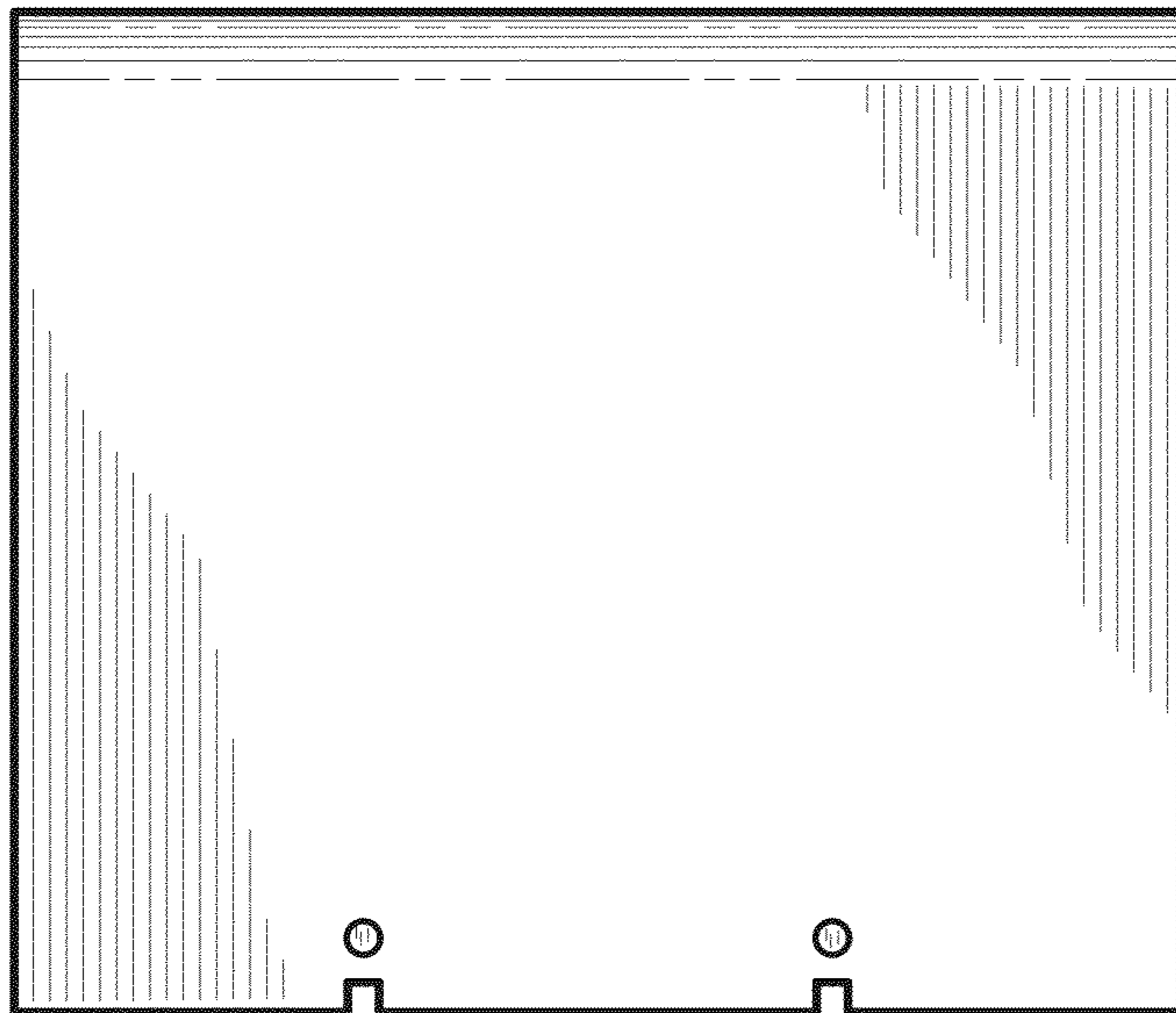


FIG. 6

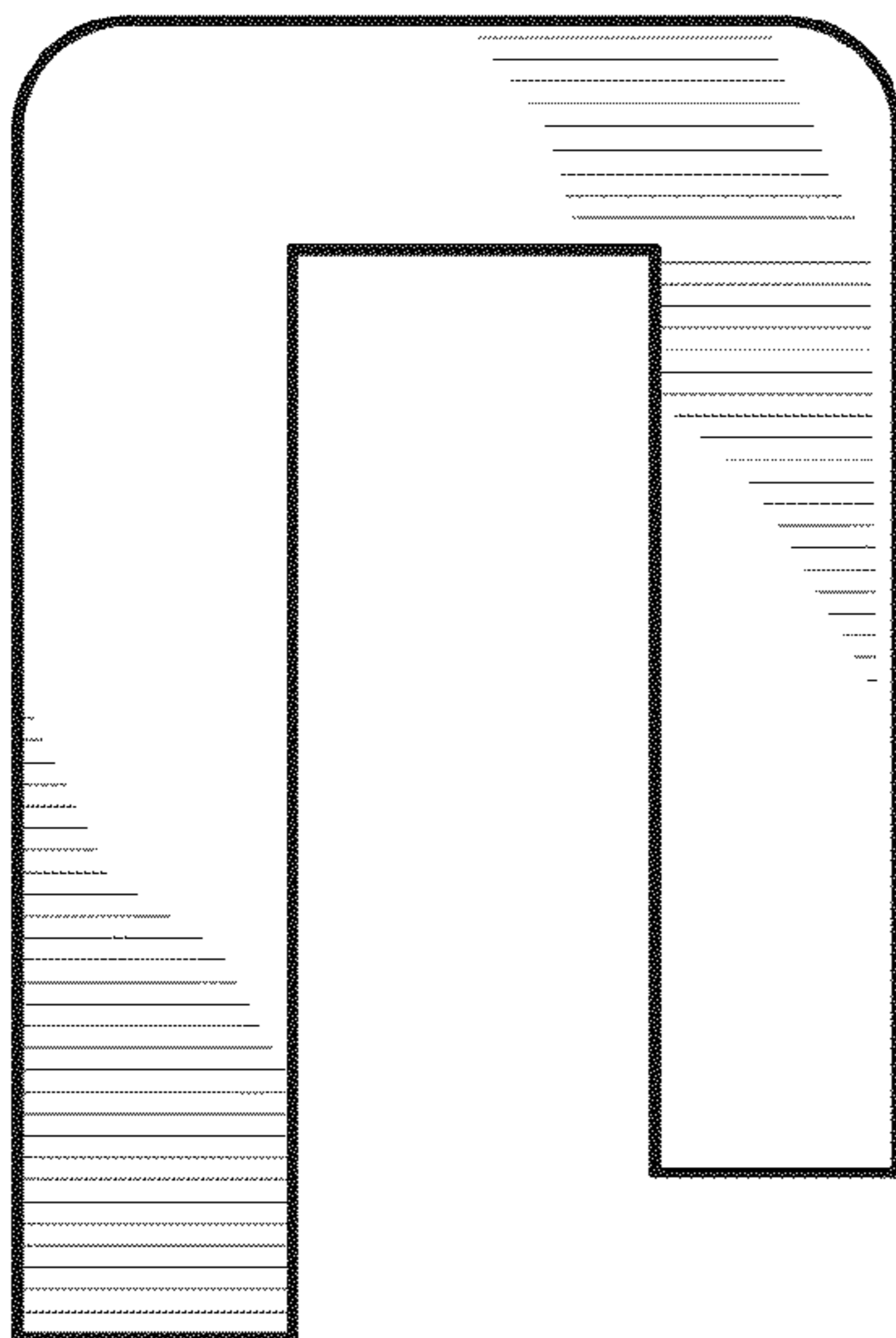


FIG. 7

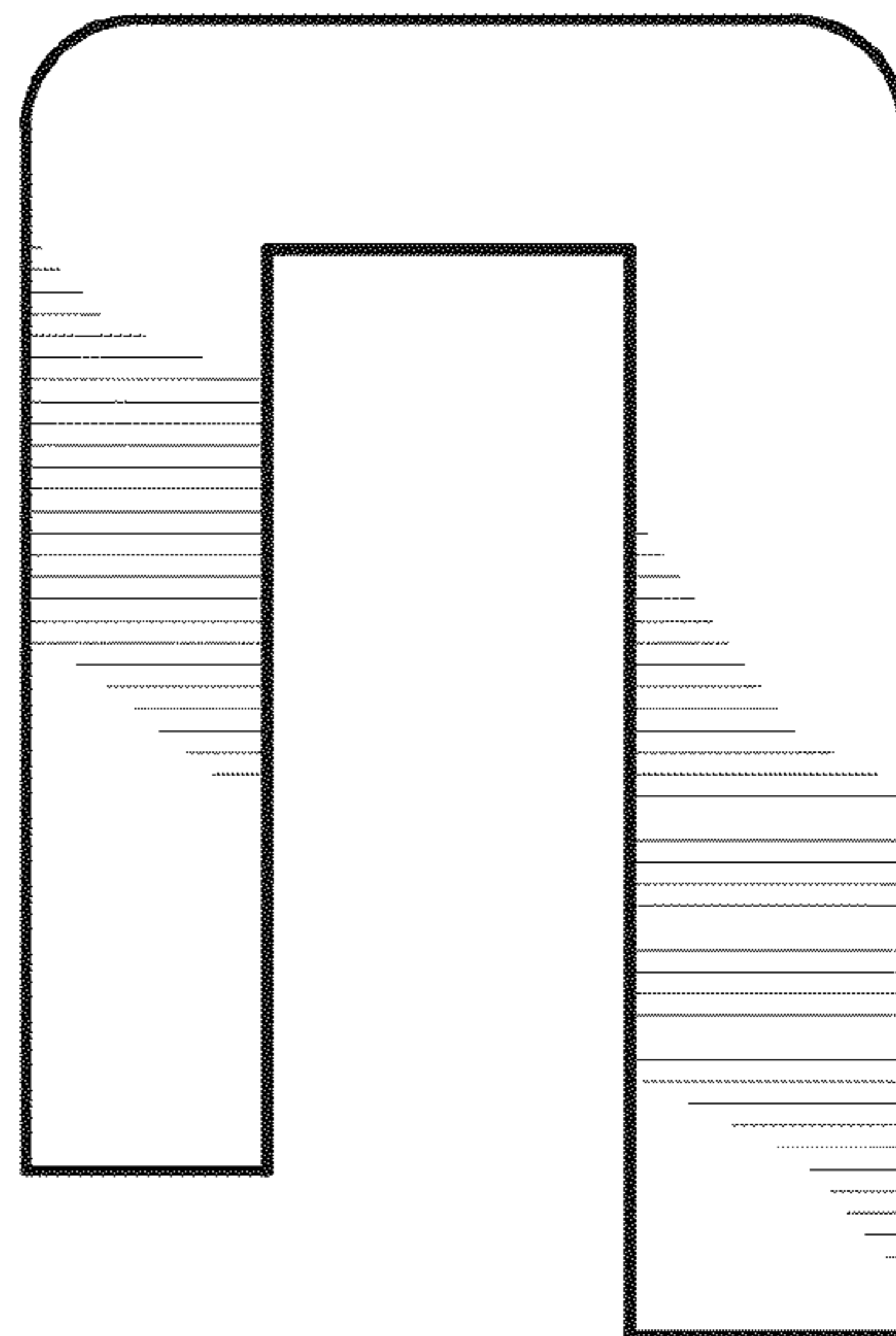


FIG. 8