



US00D702521S

(12) **United States Design Patent**
Jang Soo

(10) **Patent No.:** **US D702,521 S**
(45) **Date of Patent:** **** Apr. 15, 2014**

(54) **MULTIFUNCTION SCISSORS**

(75) Inventor: **Kim Jang Soo**, Shatin (HK)

(73) Assignee: **Unison Ridge Limited**, Fo Tan, Shatin (HK)

(**) Term: **14 Years**

(21) Appl. No.: **29/429,814**

(22) Filed: **Aug. 17, 2012**

(51) **LOC (10) Cl.** **08-05**

(52) **U.S. Cl.**
USPC **D8/55; D7/693**

(58) **Field of Classification Search**
USPC D8/4, 5, 51–58, 105, 107; D21/532;
D27/195; D28/44; D7/693; D24/148;
30/131, 195, 229, 194, 230–235, 268,
30/350, 254–258; 7/135, 136
See application file for complete search history.

(56) **References Cited**

U.S. PATENT DOCUMENTS

D377,440 S *	1/1997	Kobayashi	D8/52
D483,627 S *	12/2003	Ronan et al.	D7/693
D488,963 S *	4/2004	Silver et al.	D7/693
D503,324 S *	3/2005	Carlson et al.	D8/57
D503,875 S *	4/2005	Ronan et al.	D7/693
7,080,455 B1 *	7/2006	Ronan et al.	30/122
D557,096 S *	12/2007	Wu	D8/57

D564,309 S *	3/2008	Ronan	D7/696
D625,978 S *	10/2010	Zeng	D8/52
D633,349 S *	3/2011	Schmidt	D7/693

* cited by examiner

Primary Examiner — Deanna L Pratt

(74) *Attorney, Agent, or Firm* — Mark M. Friedman

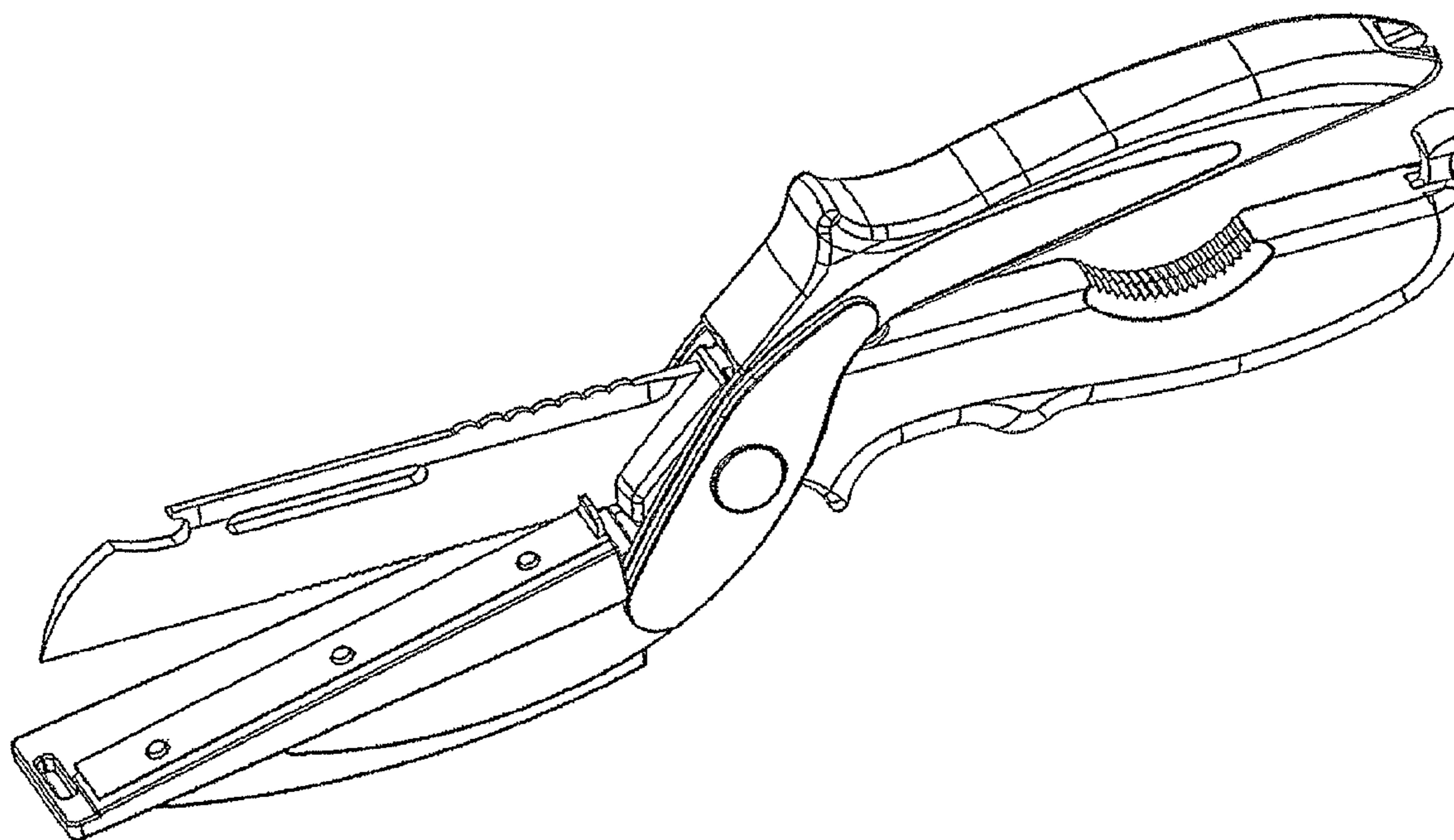
(57) **CLAIM**

The ornamental design for a multifunction scissors, as shown and described.

DESCRIPTION

FIG. 1 is a side view of a multifunction scissors showing my new design;
 FIG. 2 is a perspective view thereof, shown in a closed position;
 FIG. 3 is another perspective view thereof, shown in a closed position;
 FIG. 4 is another perspective view thereof, shown in an open position;
 FIG. 5 is another perspective view thereof, shown in an open position;
 FIG. 6 is a bottom view thereof,
 FIG. 7 is a top view thereof,
 FIG. 8 is a front view thereof, shown in a closed position;
 FIG. 9 is a back view thereof, shown in a closed position; and,
 FIG. 10 is another perspective view thereof, shown in a closed position.

1 Claim, 10 Drawing Sheets



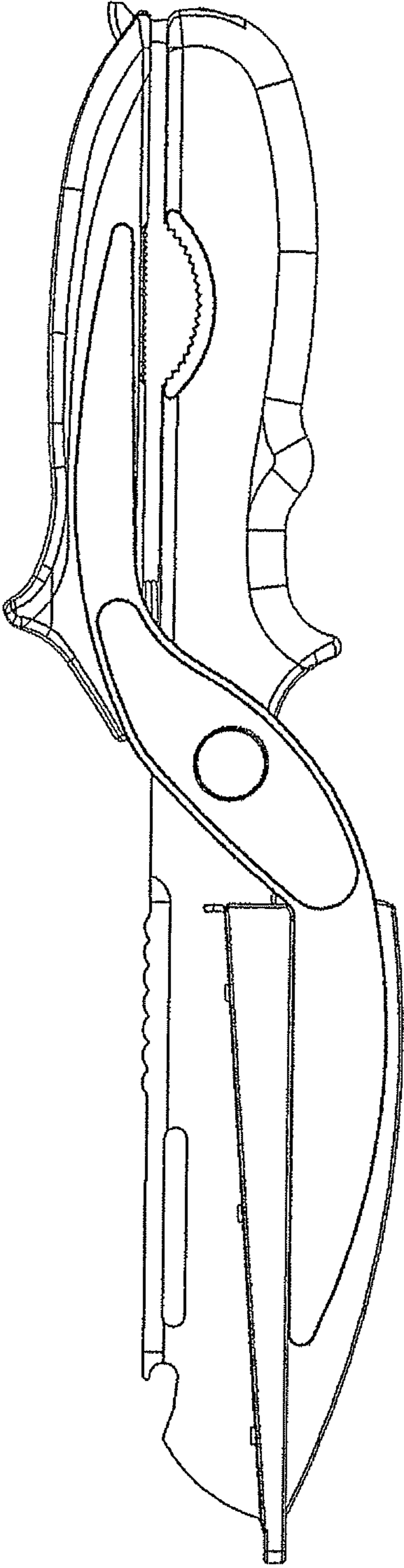


FIG 1

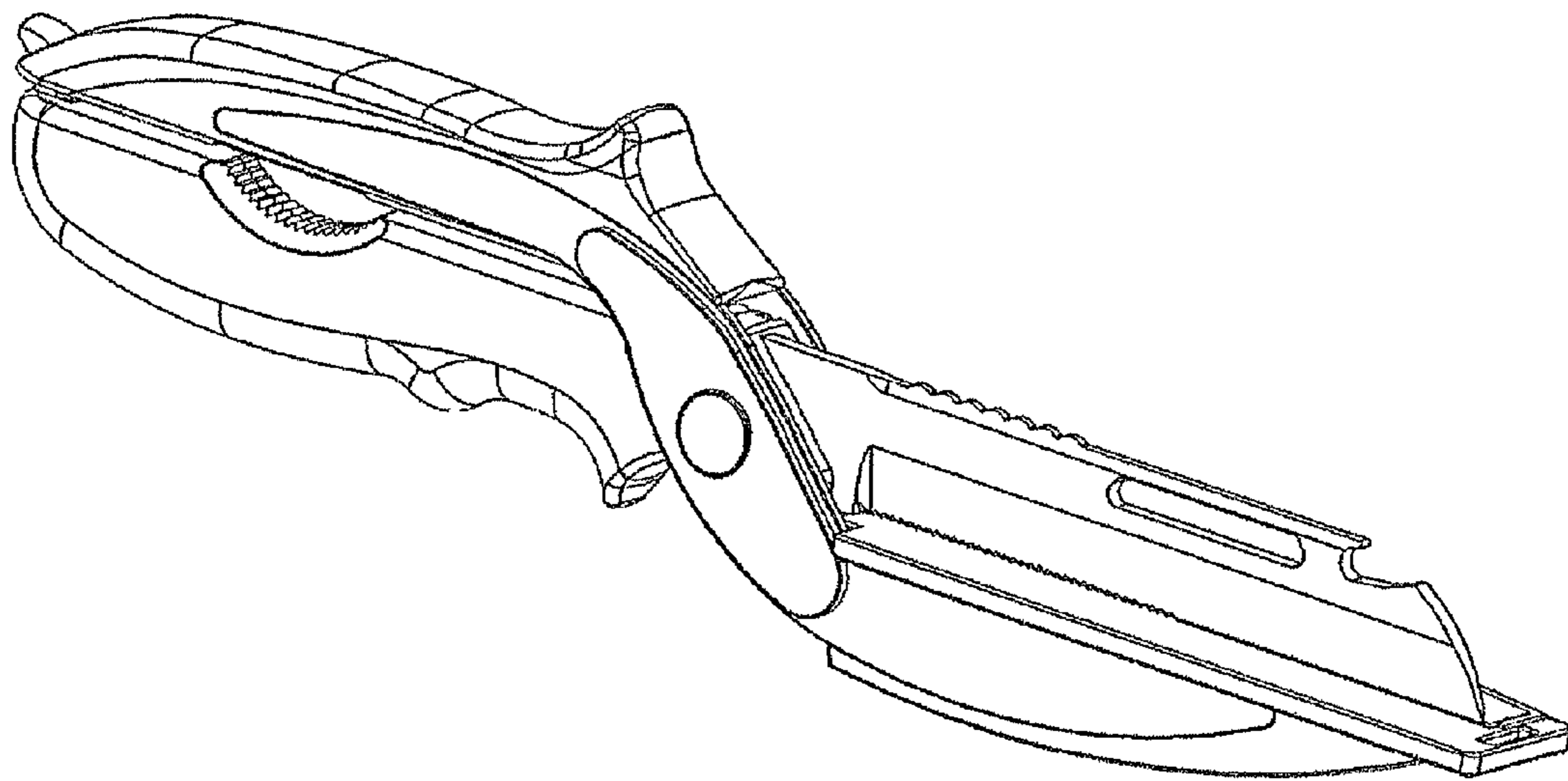


FIG. 2

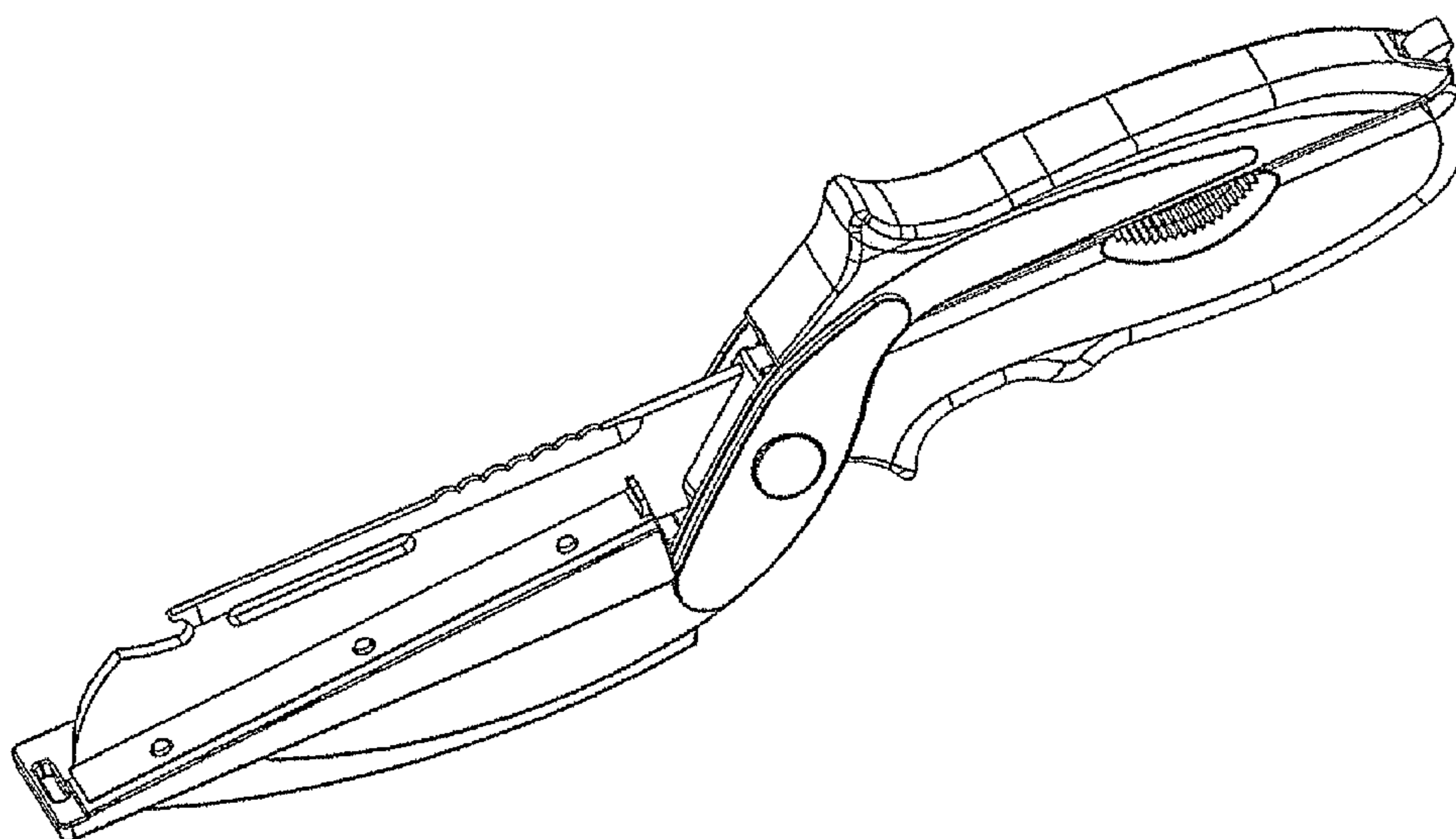


FIG. 3

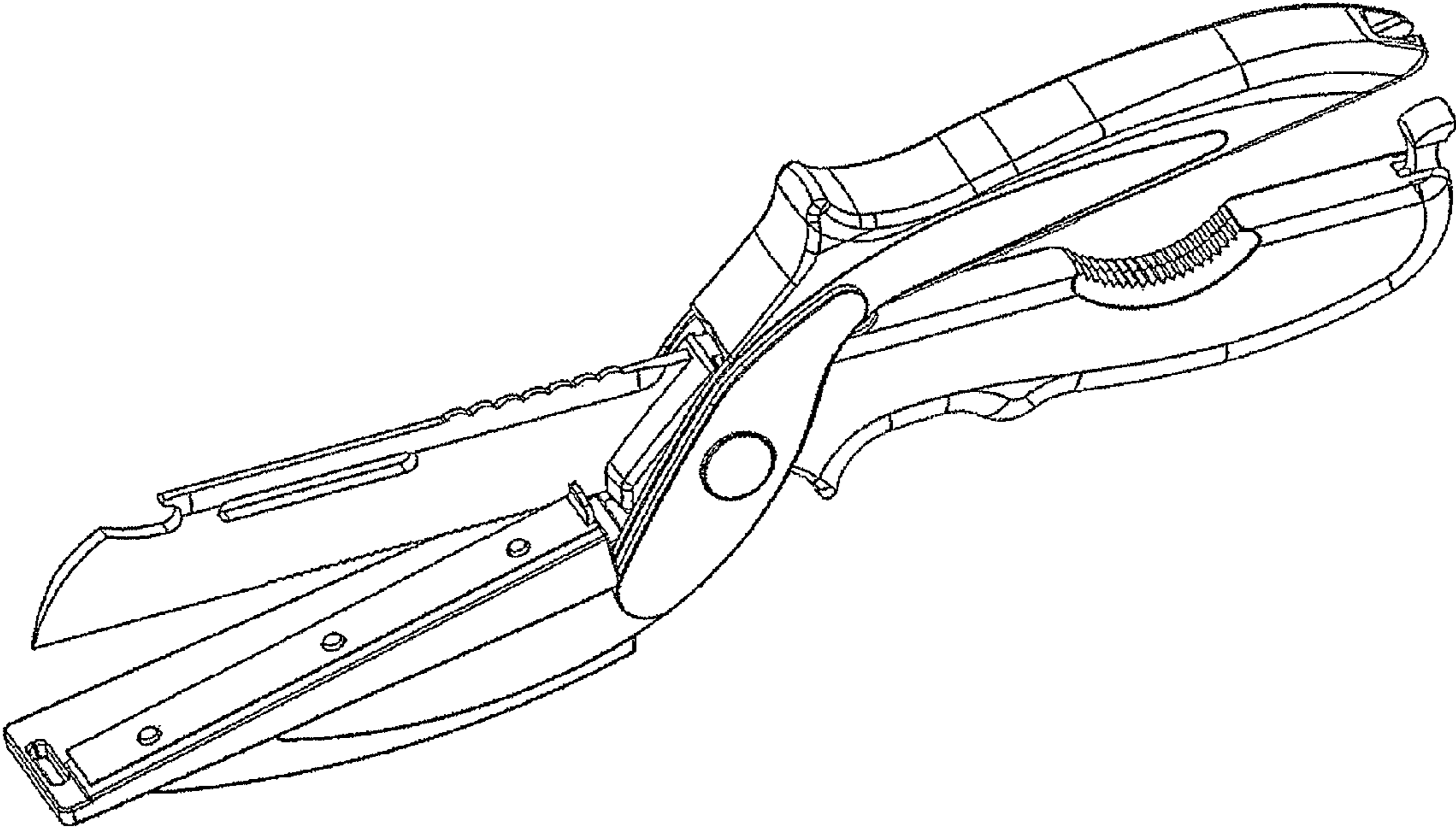
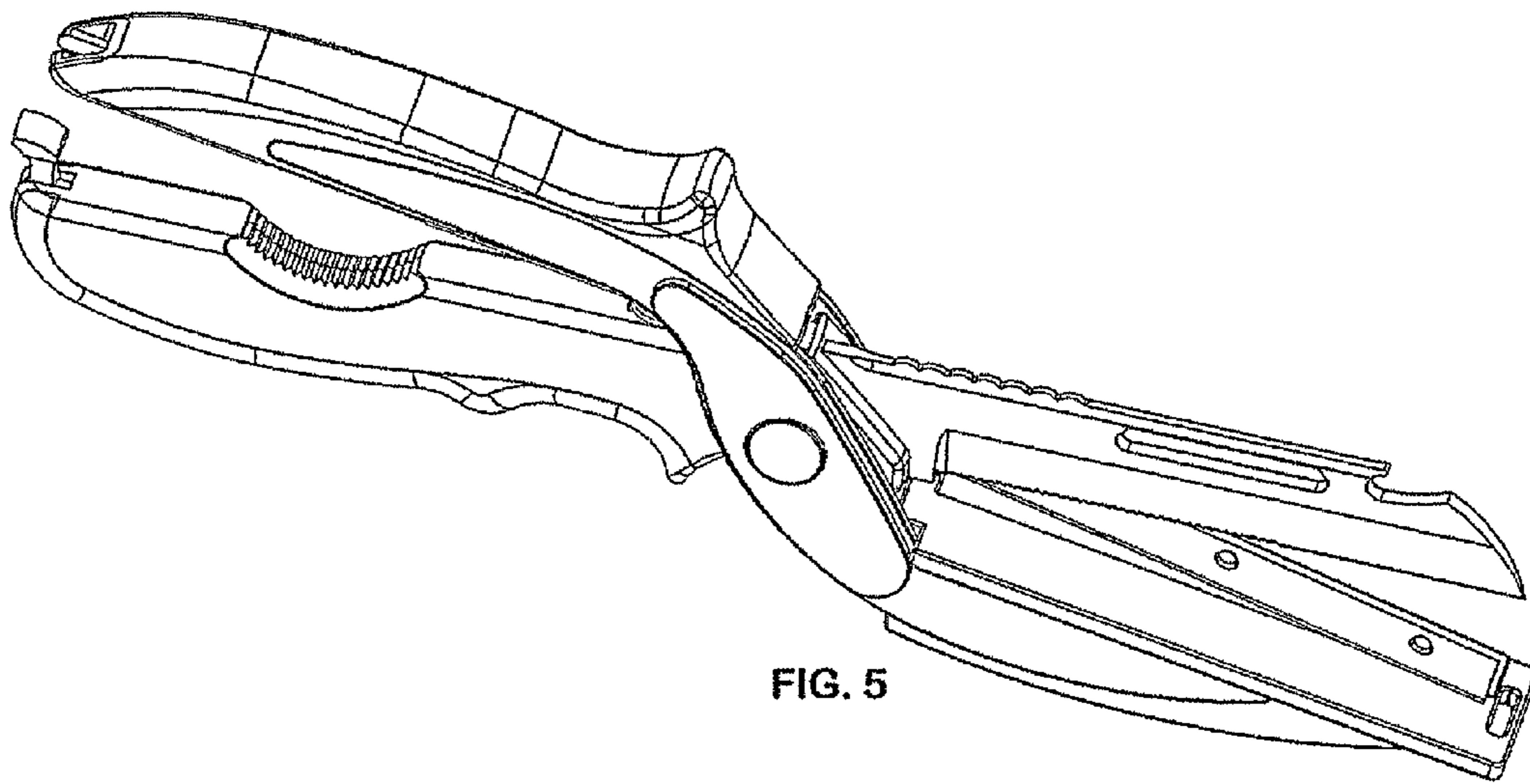


FIG. 4



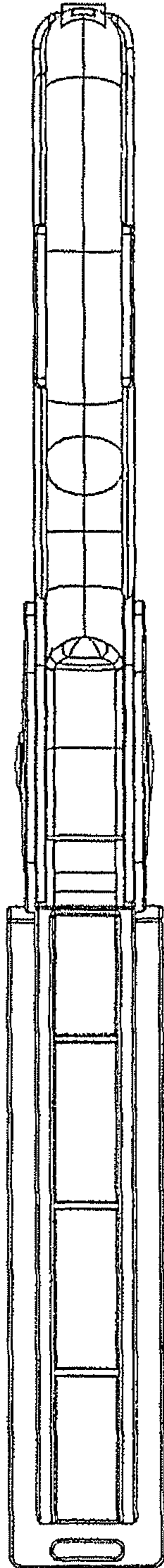


FIG. 6

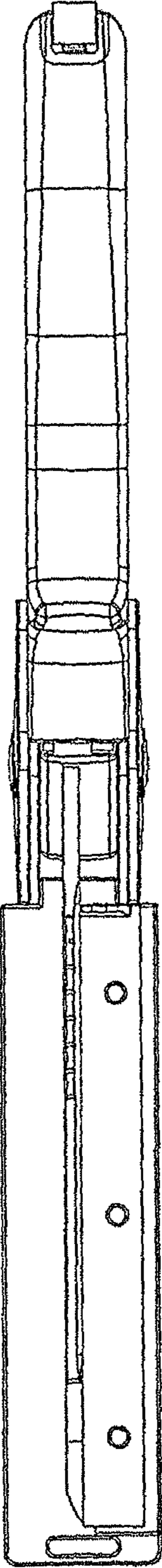


FIG. 7

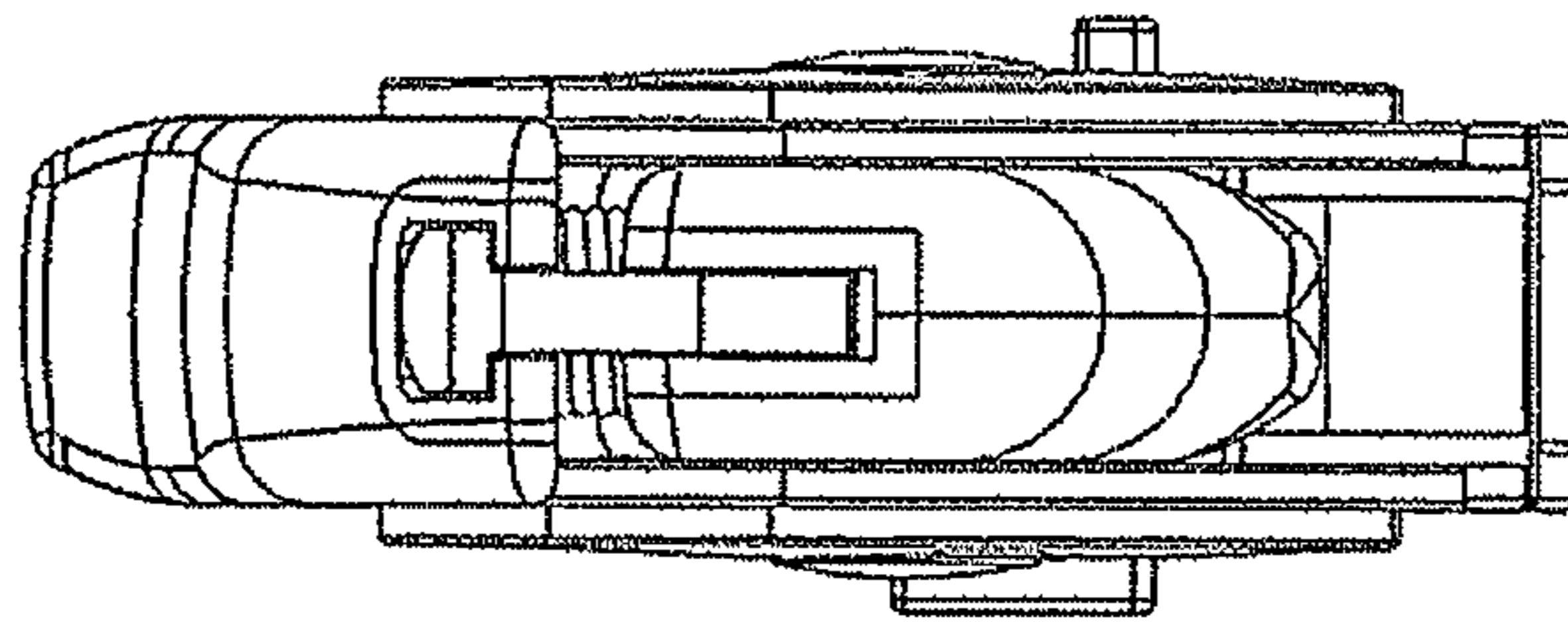


FIG. 8

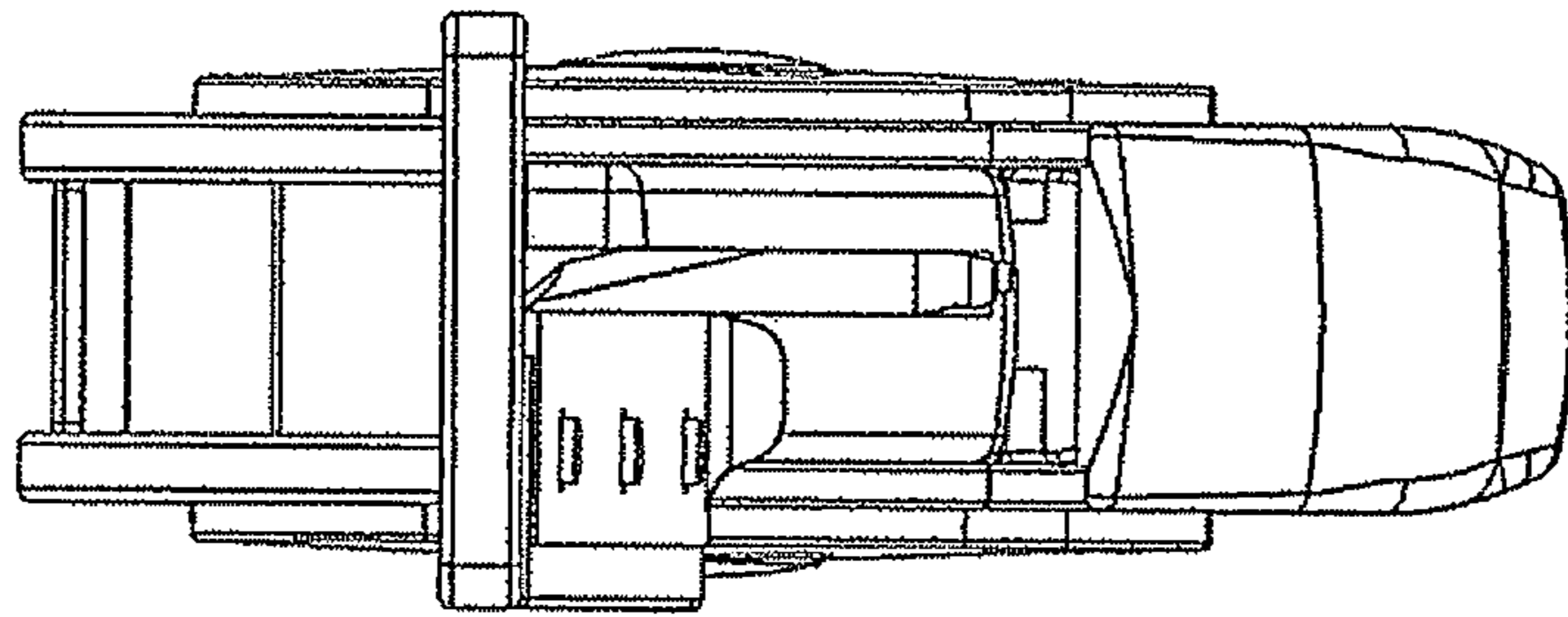


FIG. 9

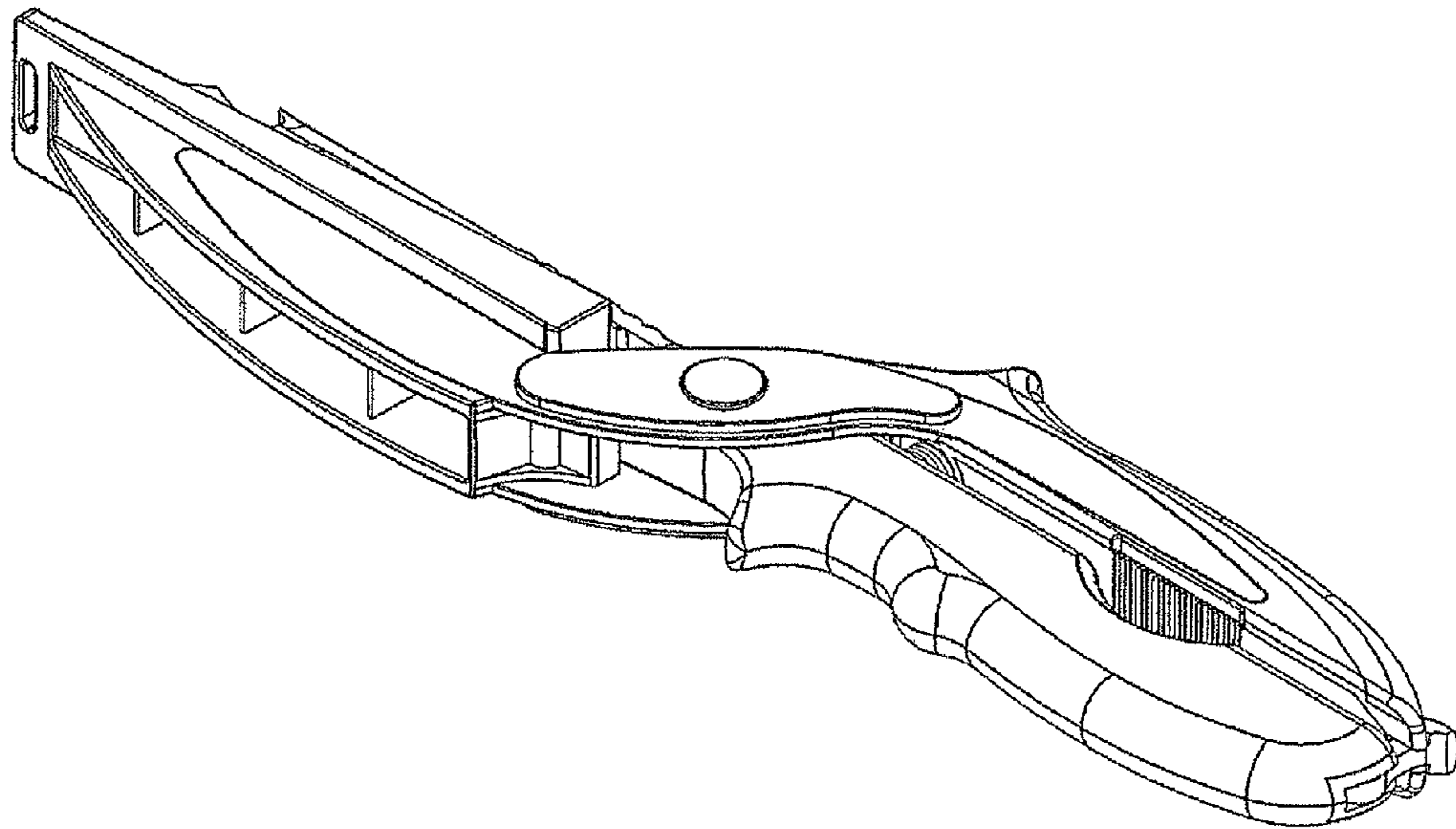


FIG. 10