



US00D702519S

(12) **United States Design Patent**
Lee et al.

(10) **Patent No.:** **US D702,519 S**
(45) **Date of Patent:** **** Apr. 15, 2014**

(54) **ELECTRONIC TORQUE WRENCH**

(71) Applicants: **Nathan J. Lee**, Escondido, CA (US);
Jonathan J. Olson, Long Beach, CA
(US); **Daniel A. Phipps**, Round Rock,
TX (US); **Gregory E. Reinecker**, Round
Rock, TX (US); **Peter A. Kaltenbach**,
Austin, TX (US)

(72) Inventors: **Nathan J. Lee**, Escondido, CA (US);
Jonathan J. Olson, Long Beach, CA
(US); **Daniel A. Phipps**, Round Rock,
TX (US); **Gregory E. Reinecker**, Round
Rock, TX (US); **Peter A. Kaltenbach**,
Austin, TX (US)

(73) Assignee: **Snap-on Incorporated**, Kenosha, WI
(US)

(**) Term: **14 Years**

(21) Appl. No.: **29/458,748**

(22) Filed: **Jun. 21, 2013**

(51) **LOC (10) Cl.** **08-05**

(52) **U.S. Cl.**
USPC **D8/24**

(58) **Field of Classification Search**
USPC D8/24, 25, 107, 61; 73/862.22, 862.23,
73/862.331, 862.21, 962.335; 81/467,
81/469, 479, 480-483, 57, 39; 464/25, 35
See application file for complete search history.

(56) **References Cited**

U.S. PATENT DOCUMENTS

6,796,190	B2 *	9/2004	Curry	73/862.21
6,948,410	B1 *	9/2005	Larson	81/467
6,968,759	B2 *	11/2005	Becker et al.	81/479
D520,309	S *	5/2006	Hsien	D8/25
7,047,849	B2 *	5/2006	Lai	81/479
7,469,602	B2 *	12/2008	Gharib et al.	73/862.21
D586,193	S *	2/2009	Escoe et al.	D8/24
D605,482	S *	12/2009	Jenkins	D8/24

* cited by examiner

Primary Examiner — Randall Gholson

(74) *Attorney, Agent, or Firm* — Seyfarth Shaw LLP

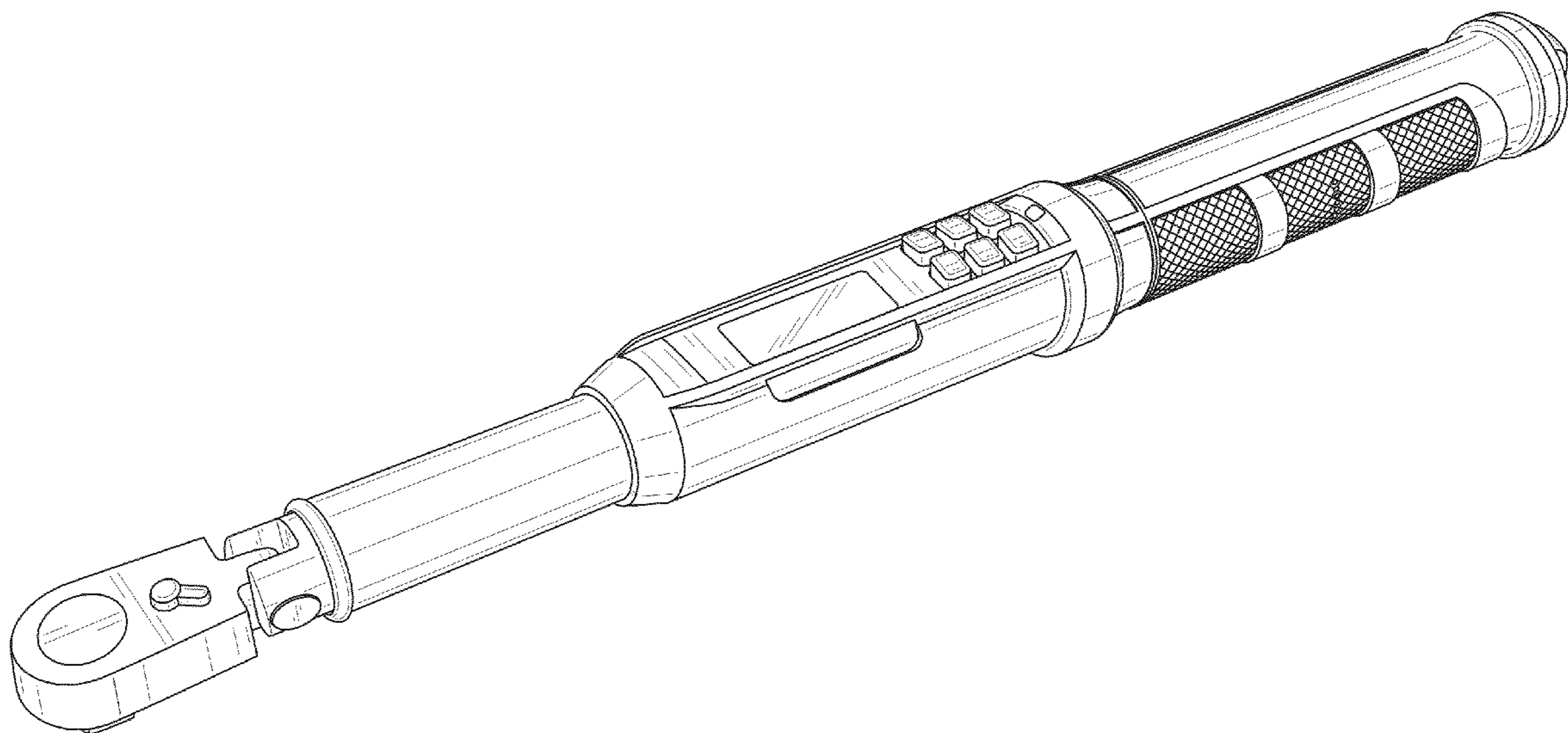
(57) **CLAIM**

The ornamental design for an electronic torque wrench, as shown and described.

DESCRIPTION

FIG. 1 is a left front perspective view of an electronic torque wrench showing our new design;
FIG. 2 is a front elevation view thereof;
FIG. 3 is a rear elevation view thereof;
FIG. 4 is a left-side elevation view thereof;
FIG. 5 is a right-side elevation view thereof;
FIG. 6 is a top elevation view thereof; and,
FIG. 7 is a bottom elevation view thereof.

1 Claim, 4 Drawing Sheets



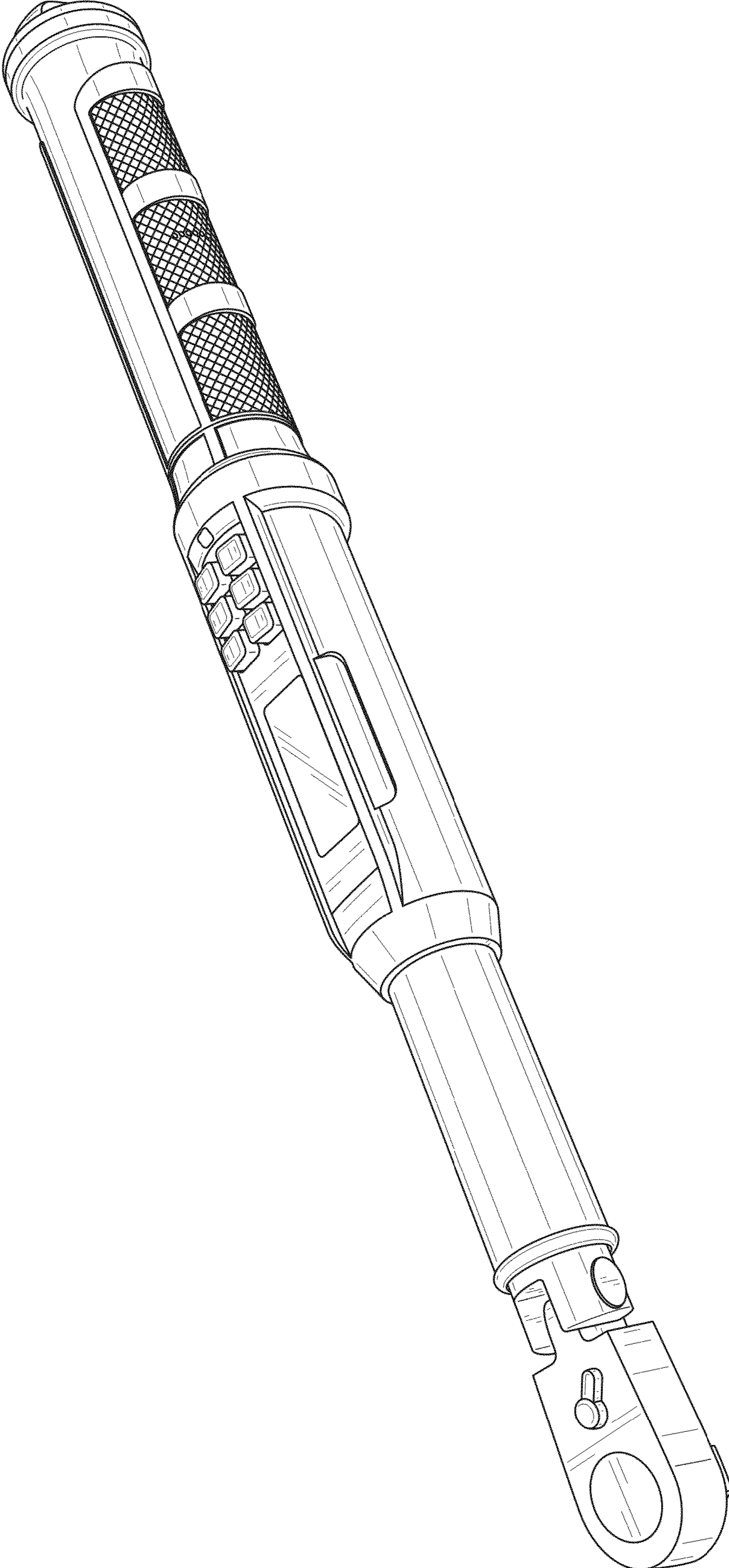


FIG. 1

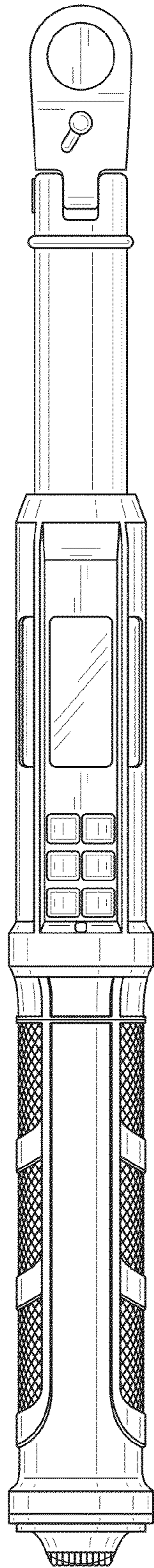


FIG. 2

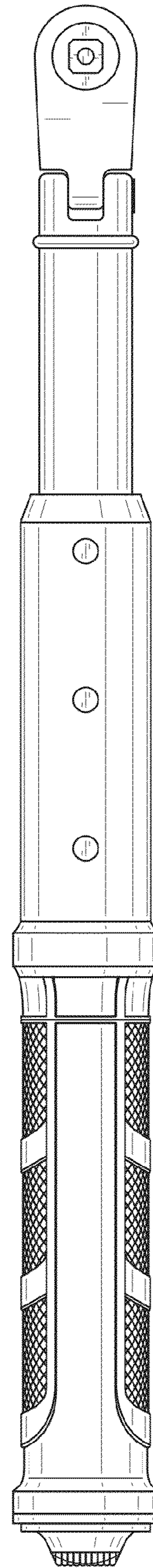


FIG. 3

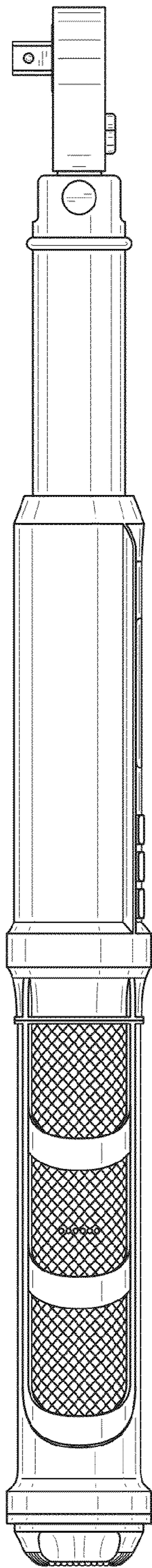


FIG. 4

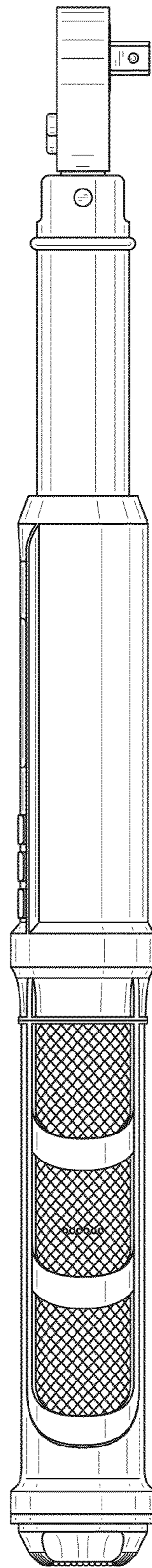


FIG. 5

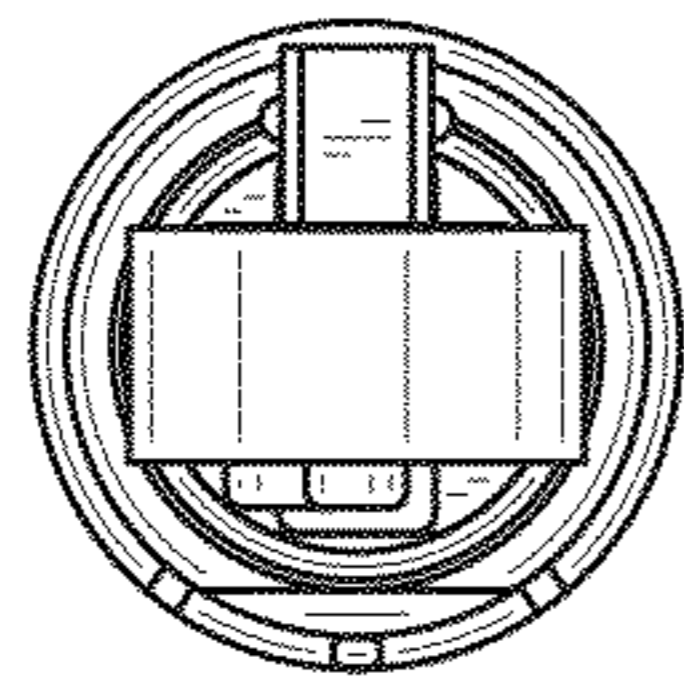


FIG. 6

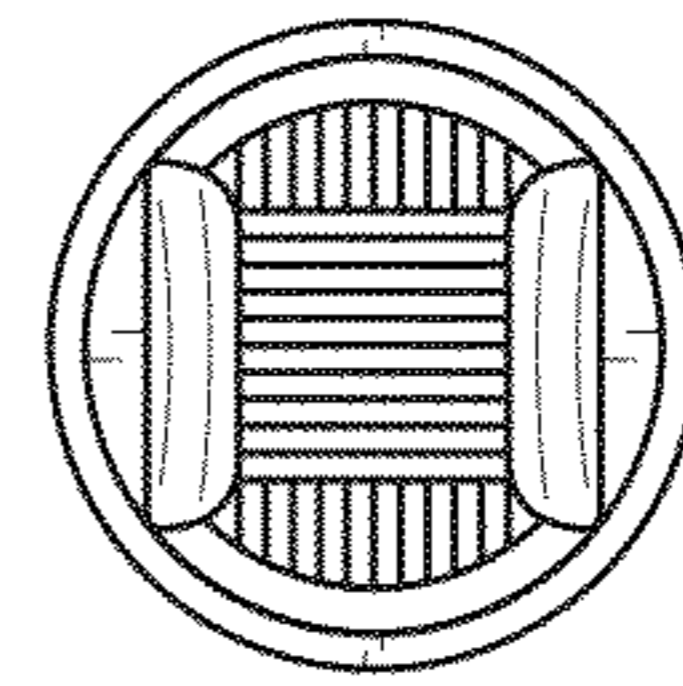


FIG. 7