



US00D702518S

(12) **United States Design Patent**
Liu

(10) **Patent No.:** **US D702,518 S**
(45) **Date of Patent:** **** Apr. 15, 2014**

(54) **CLAW OF OIL FILTER CANISTER
REMOVER**

7,650,857 B2 * 1/2010 Porter et al. 119/631
7,650,858 B2 * 1/2010 Porter et al. 119/631
D628,745 S * 12/2010 Dingelstad D28/53

(75) Inventor: **Lai-Cheng Liu**, Taichung County (TW)

* cited by examiner

(73) Assignee: **Cosda Manufacturing Company**,
Taiping, Taichung County (TW)

Primary Examiner — Randall Gholson

(74) *Attorney, Agent, or Firm* — Muncy, Geissler, Olds &
Lowe, PLLC

(**) Term: **14 Years**

(21) Appl. No.: **29/397,824**

(57) **CLAIM**

I claim the ornamental design for a claw of oil filter canister
remover, as shown and described.

(22) Filed: **Jul. 21, 2011**

(51) **LOC (10) Cl.** **08-05**

(52) **U.S. Cl.**
USPC **D8/21**

DESCRIPTION

(58) **Field of Classification Search**
USPC D8/21, 18, 54-56, 64, 57, 98, 101;
81/302, 306, 418; 30/346, 346.61,
30/346.56, 349, 351, 355, 346.51;
D7/650, 696, 642; D22/118; 119/617,
119/631; D28/53; D30/158

FIG. 1 is a perspective view of a claw of oil filter canister
remover showing my new design;
FIG. 2 is a front view thereof;
FIG. 3 is a rear view thereof;
FIG. 4 is a left view thereof;
FIG. 5 is a right view thereof;
FIG. 6 is a top plan view thereof;
FIG. 7 is a bottom plan view thereof;
FIG. 8 is a perspective view of the claw of oil filter canister
remover in use; and,
FIG. 9 is another perspective view of the claw of oil filter
canister remover in use, shown in an alternate state on the oil
filter canister.
The broken line showing of the engagement arm in FIGS. 1-9,
the oil filter canister remover in FIG. 8, and the oil filter
canister shown in FIG. 9 are for the purpose of illustrating
environmental structure only and form no part of the claimed
design.

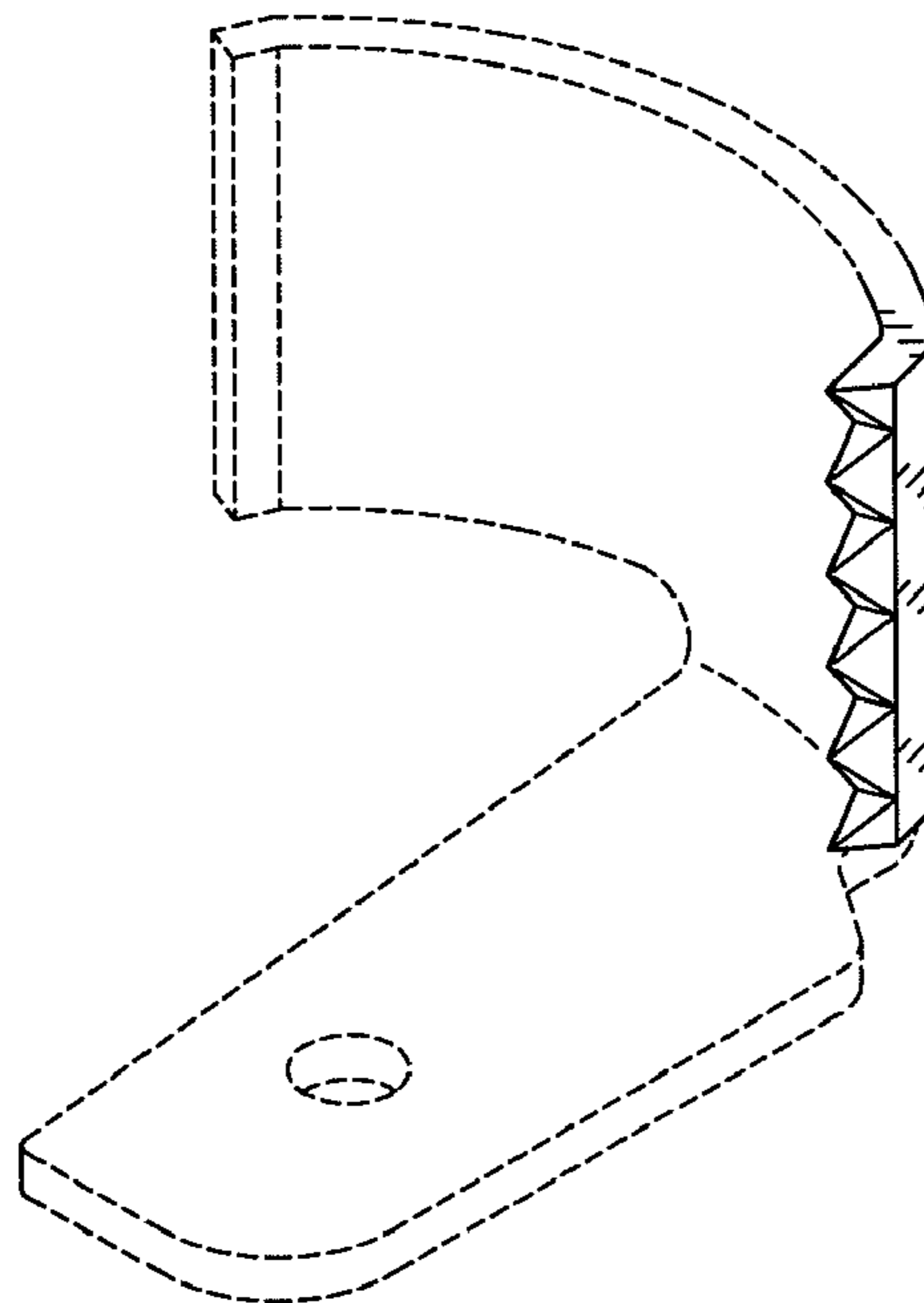
See application file for complete search history.

(56) **References Cited**

U.S. PATENT DOCUMENTS

441,136 A * 11/1890 Clement 119/617
D307,101 S * 4/1990 Anderson D8/22
5,507,210 A * 4/1996 Paramest 81/170
5,595,094 A * 1/1997 Negus 81/3.44
5,896,886 A * 4/1999 Wendt 137/318
D448,635 S * 10/2001 Saunders et al. D8/22
6,520,052 B1 * 2/2003 Saunders et al. 81/64
D492,555 S * 7/2004 Tatom D8/21
7,156,004 B1 * 1/2007 Whitehead et al. 81/420
D565,258 S * 3/2008 Porter et al. D30/158

1 Claim, 8 Drawing Sheets



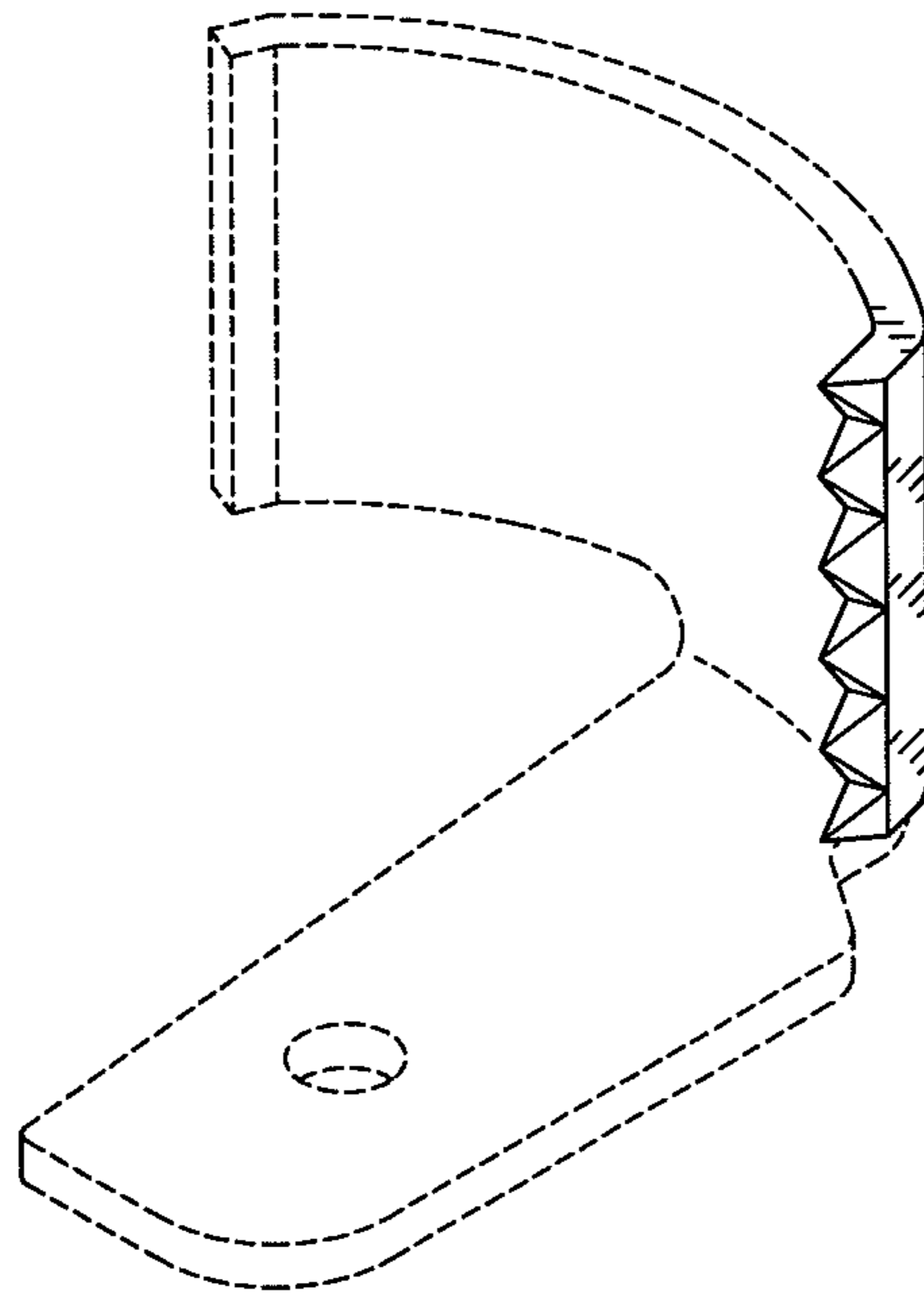


FIG. 1

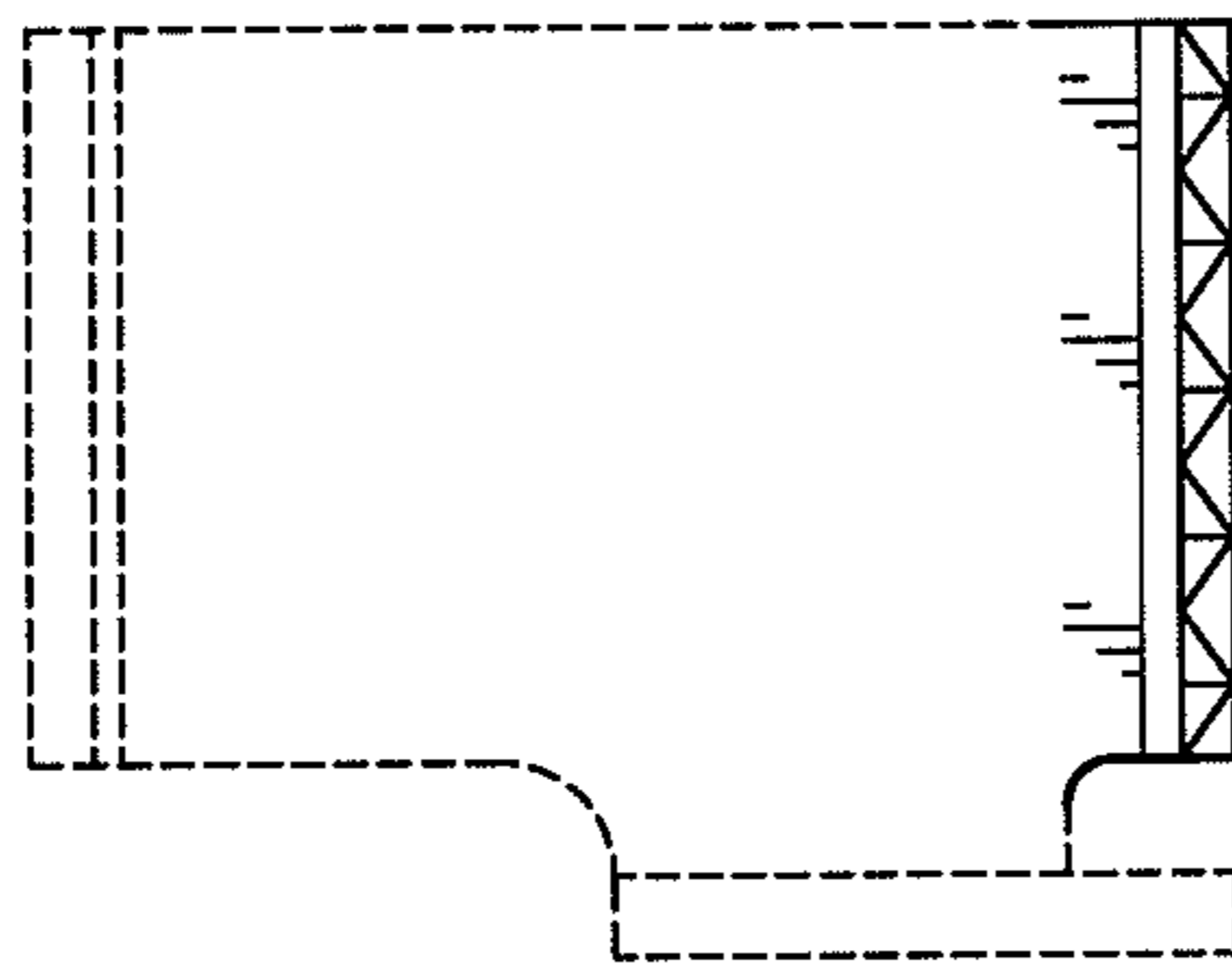


FIG. 2

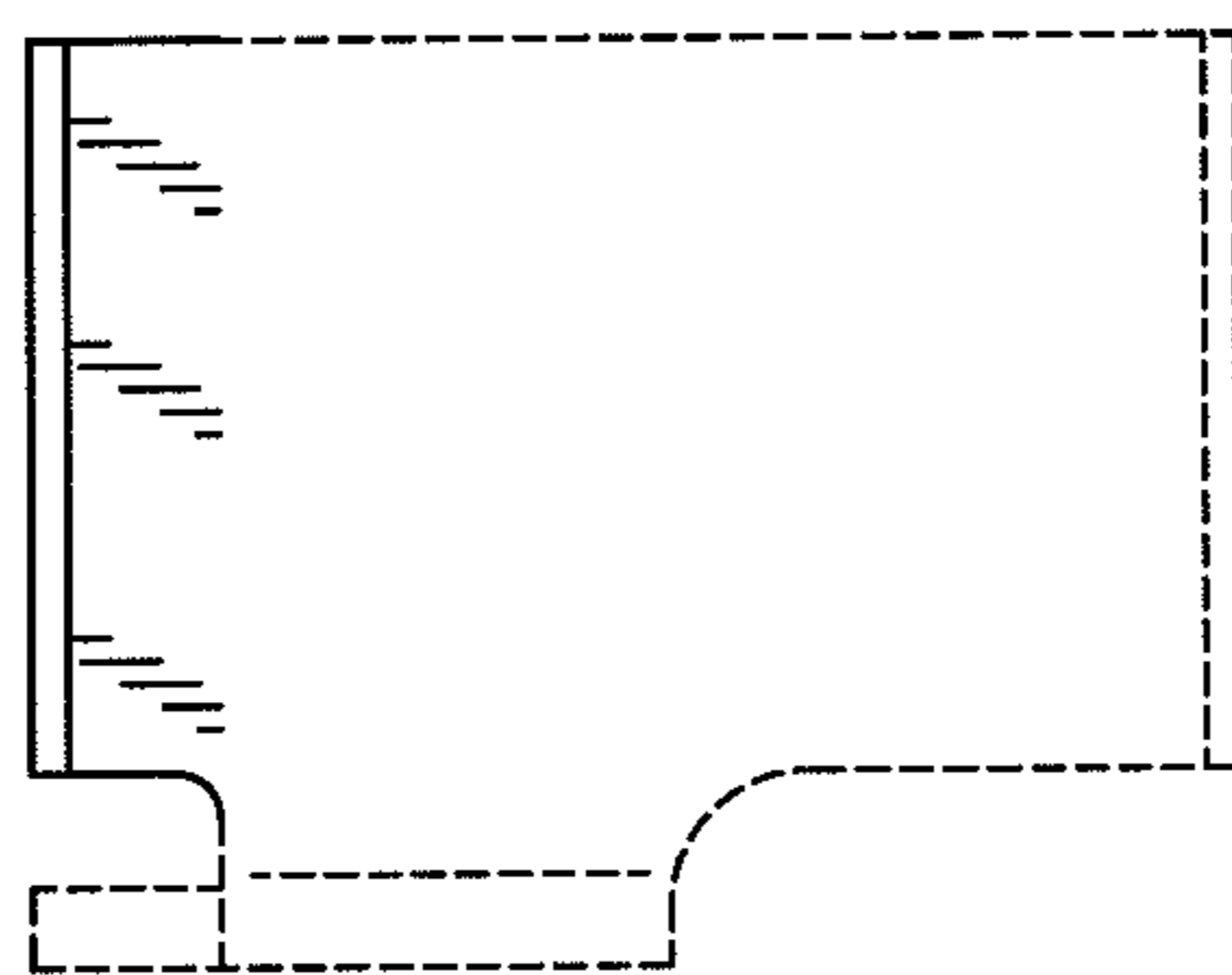


FIG. 3

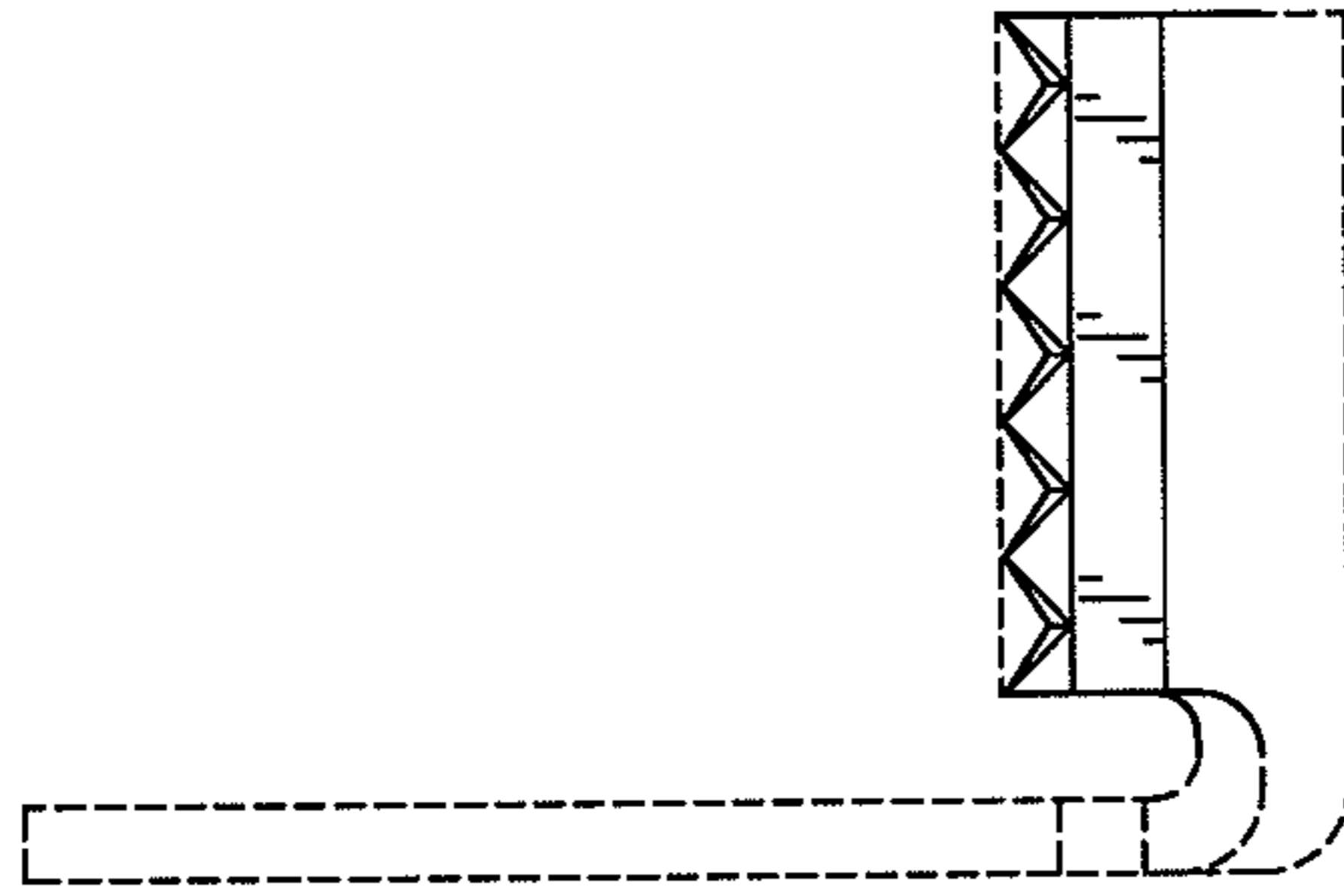


FIG. 5

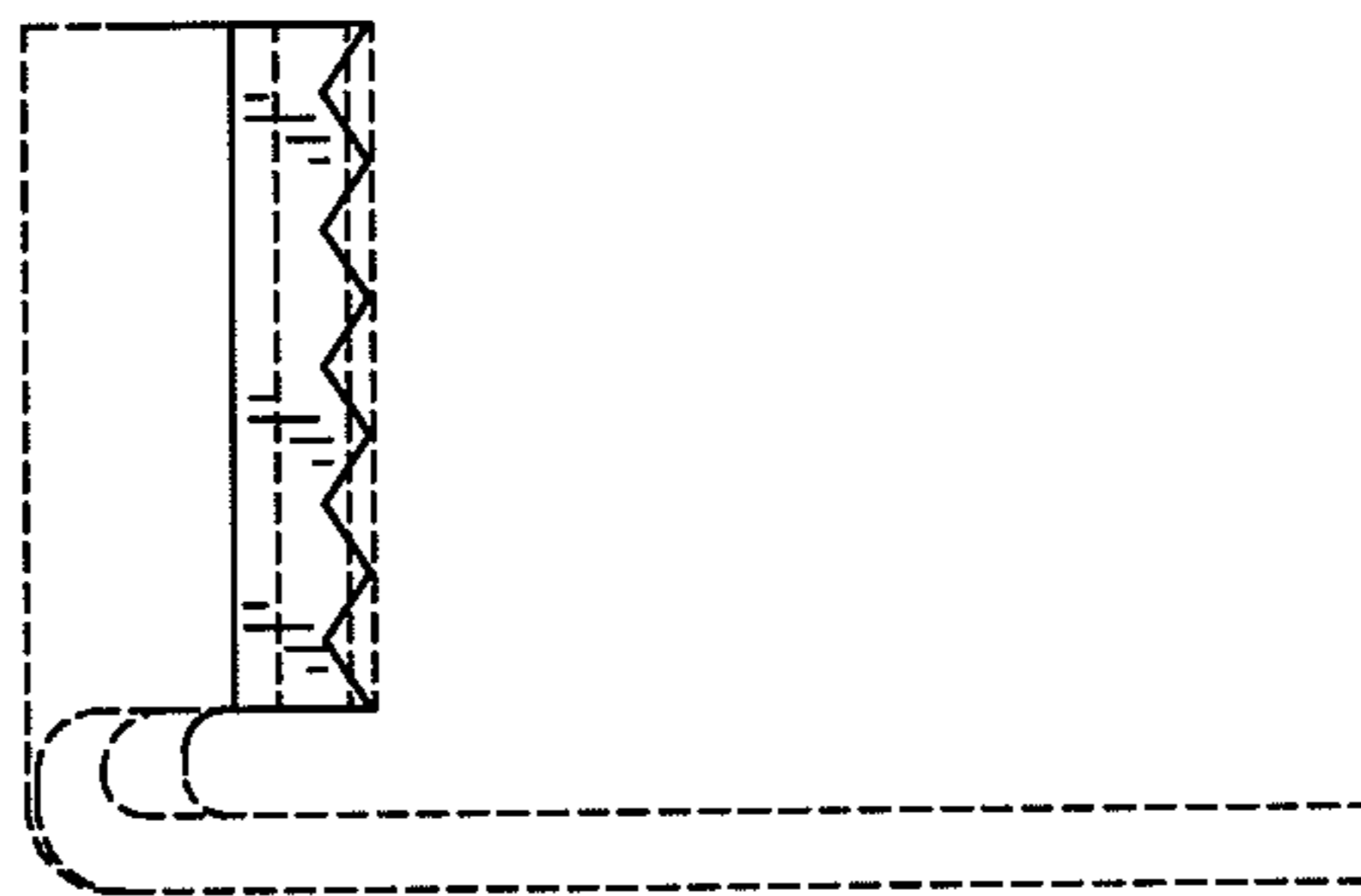


FIG. 4

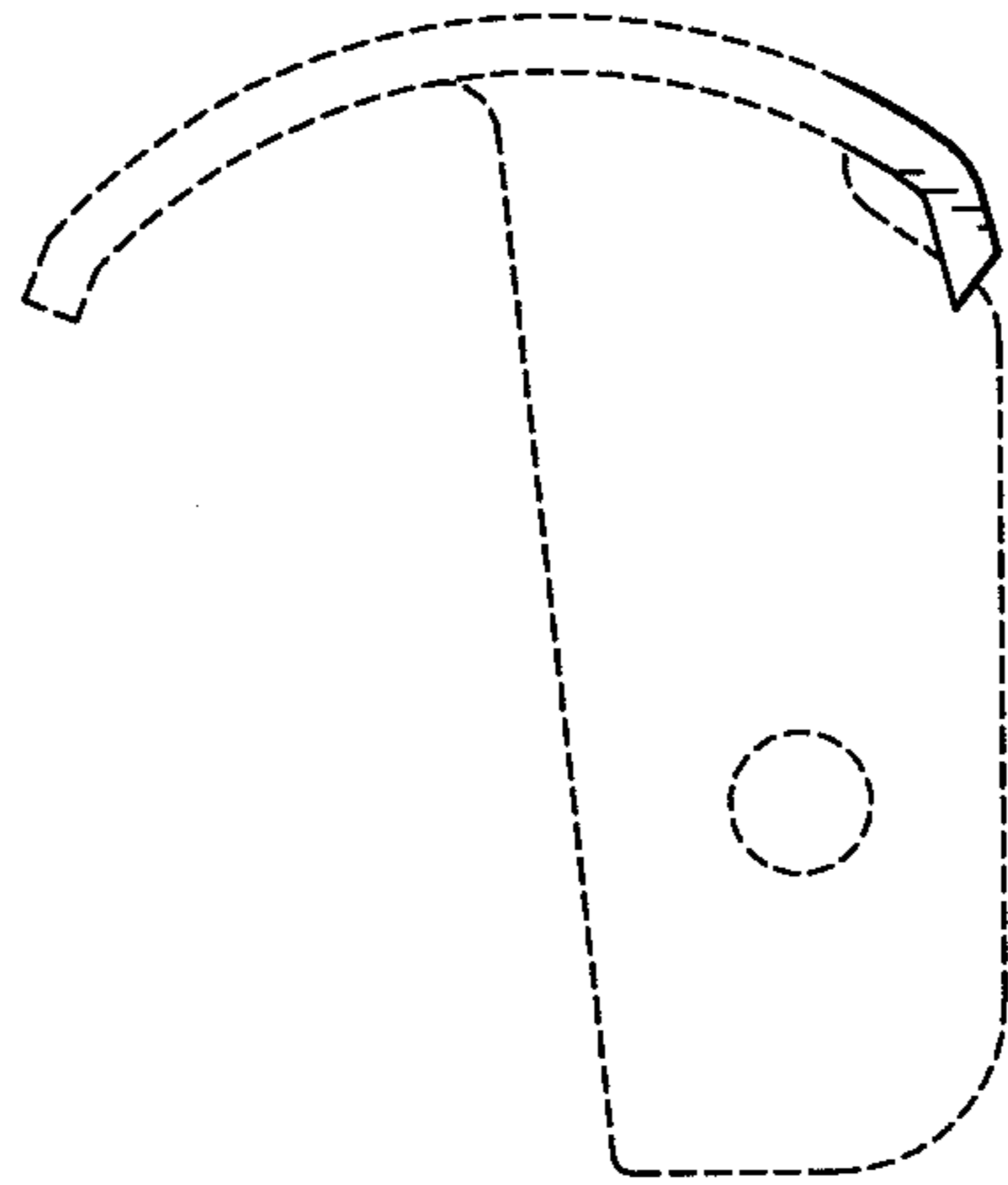


FIG. 6

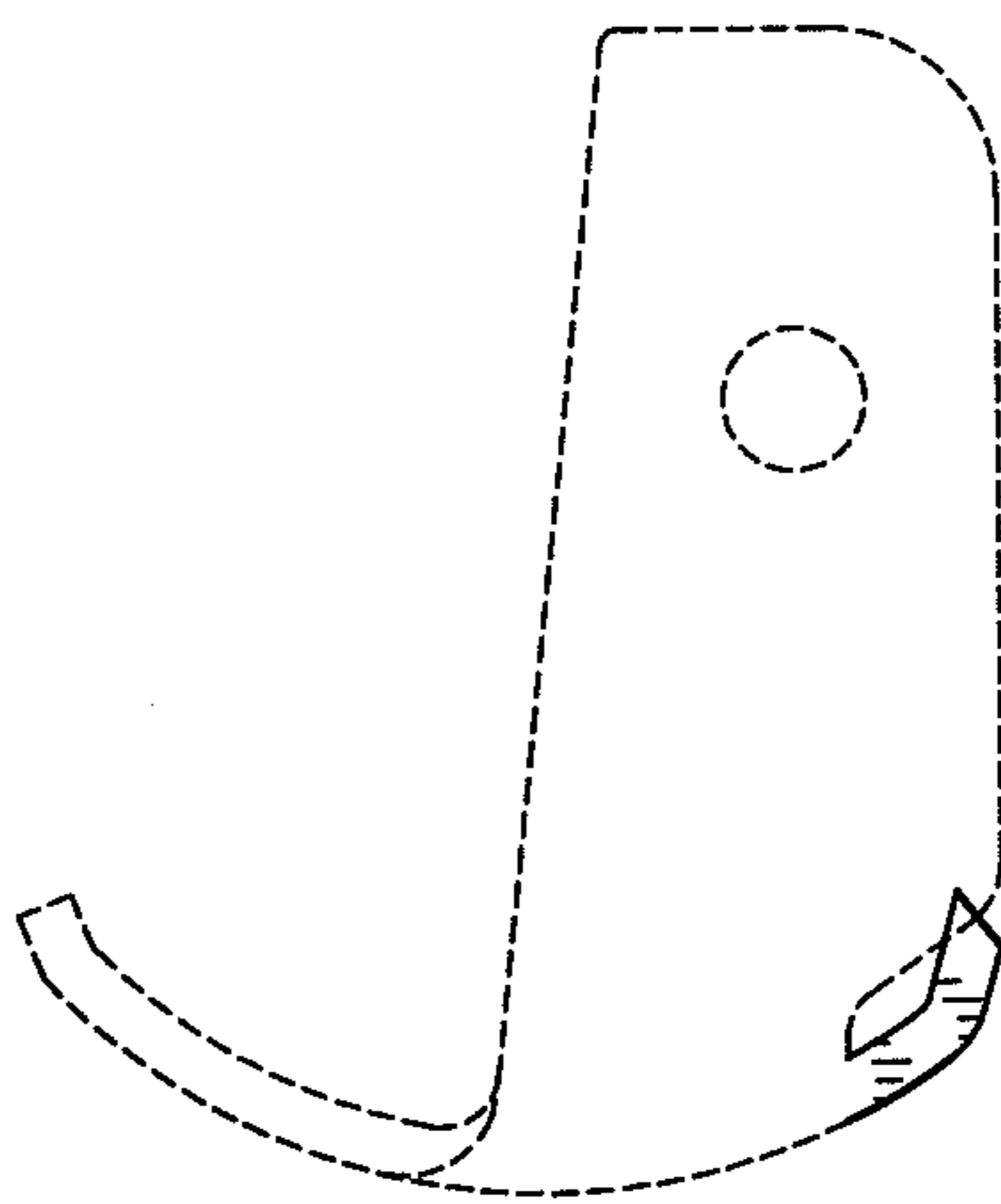


FIG. 7

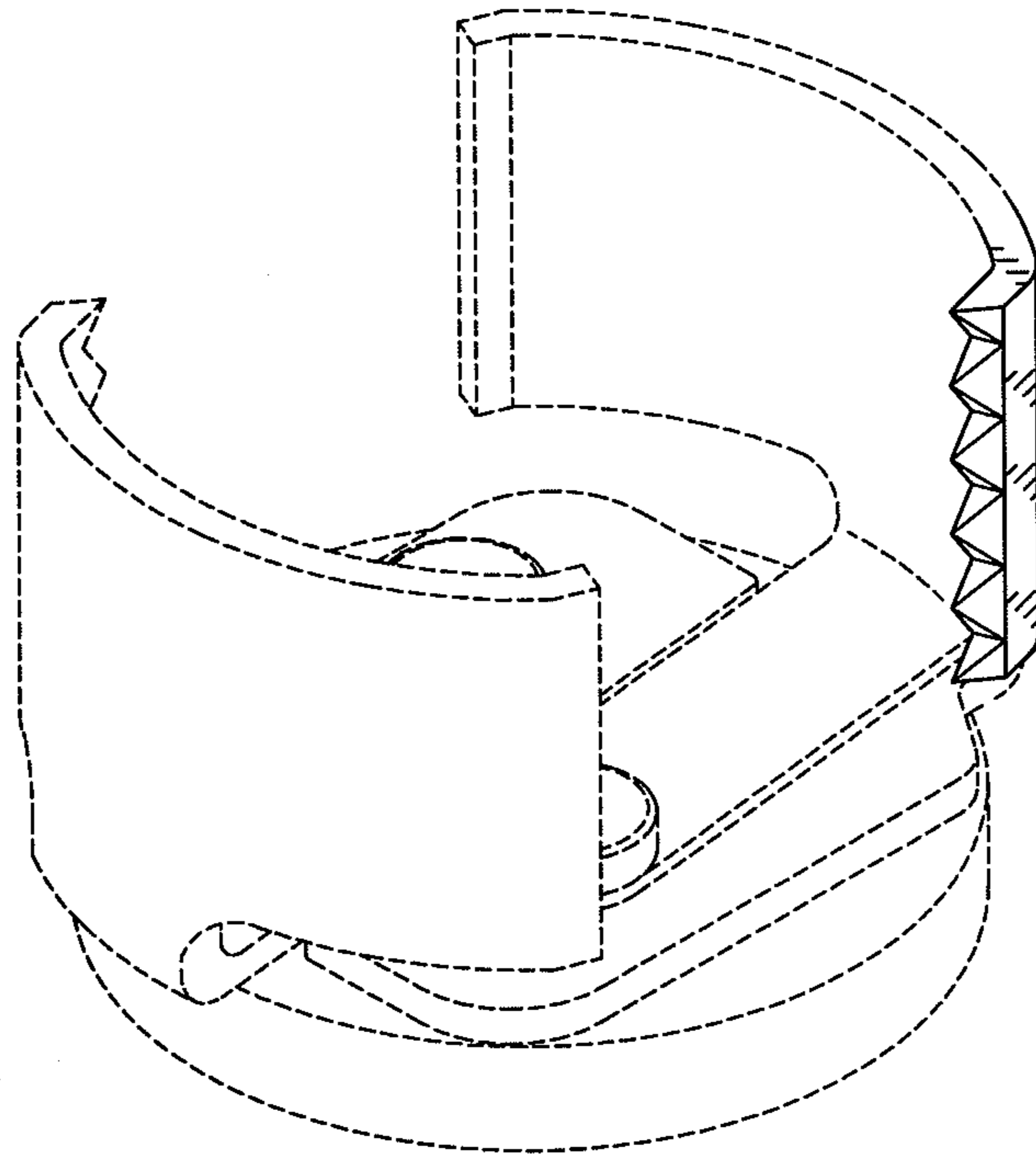
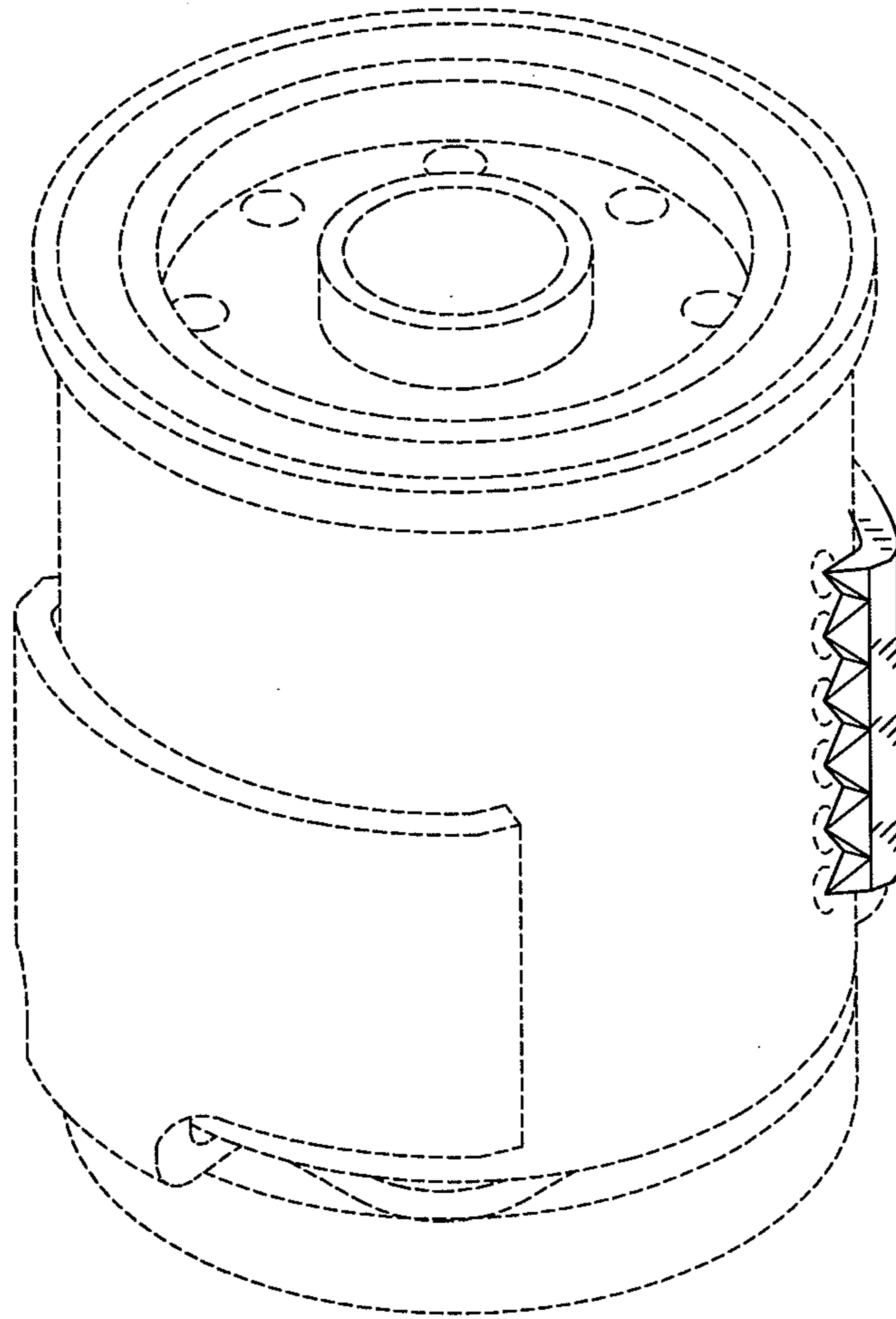


FIG. 8



FIG, 9

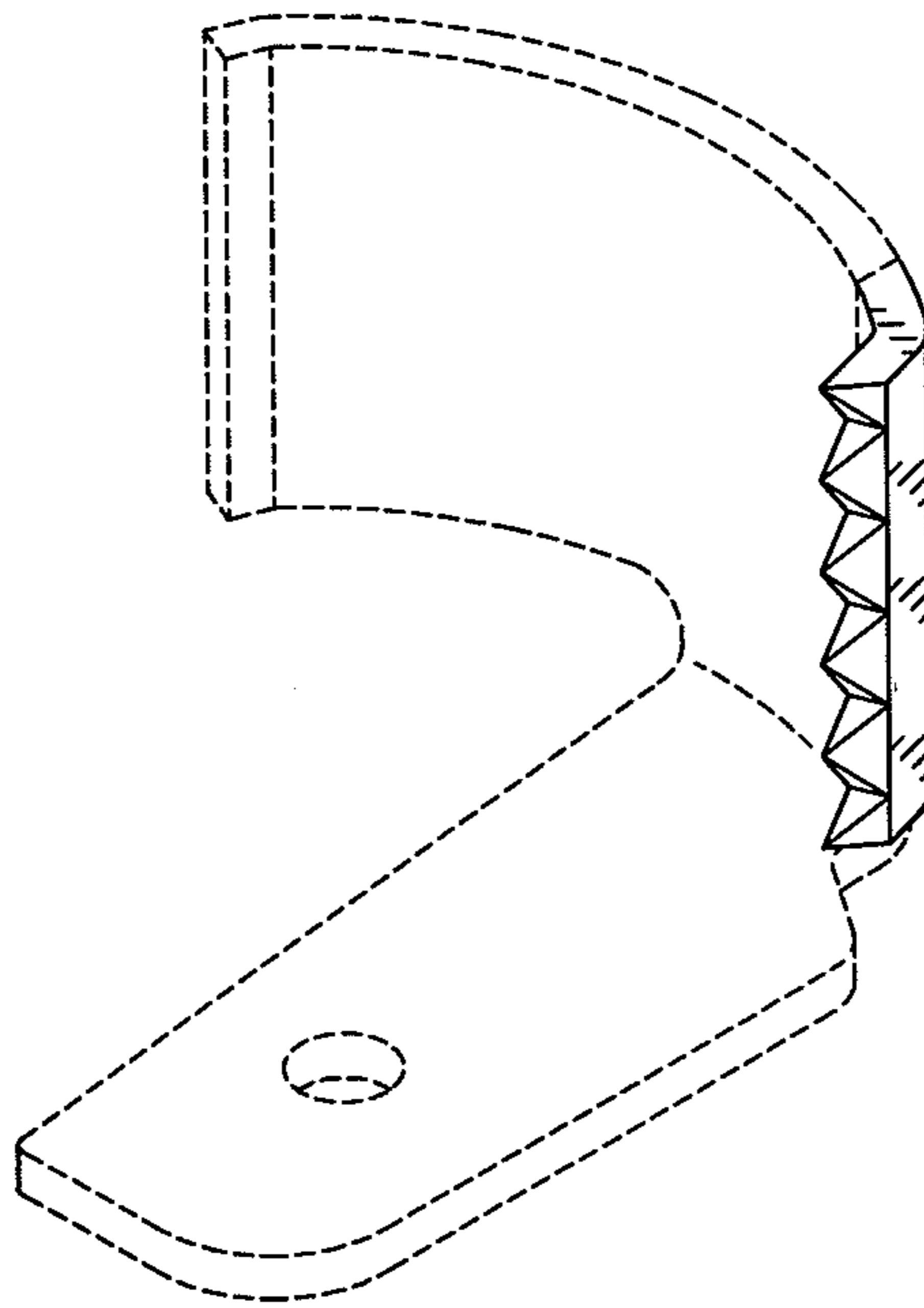


FIG. 10

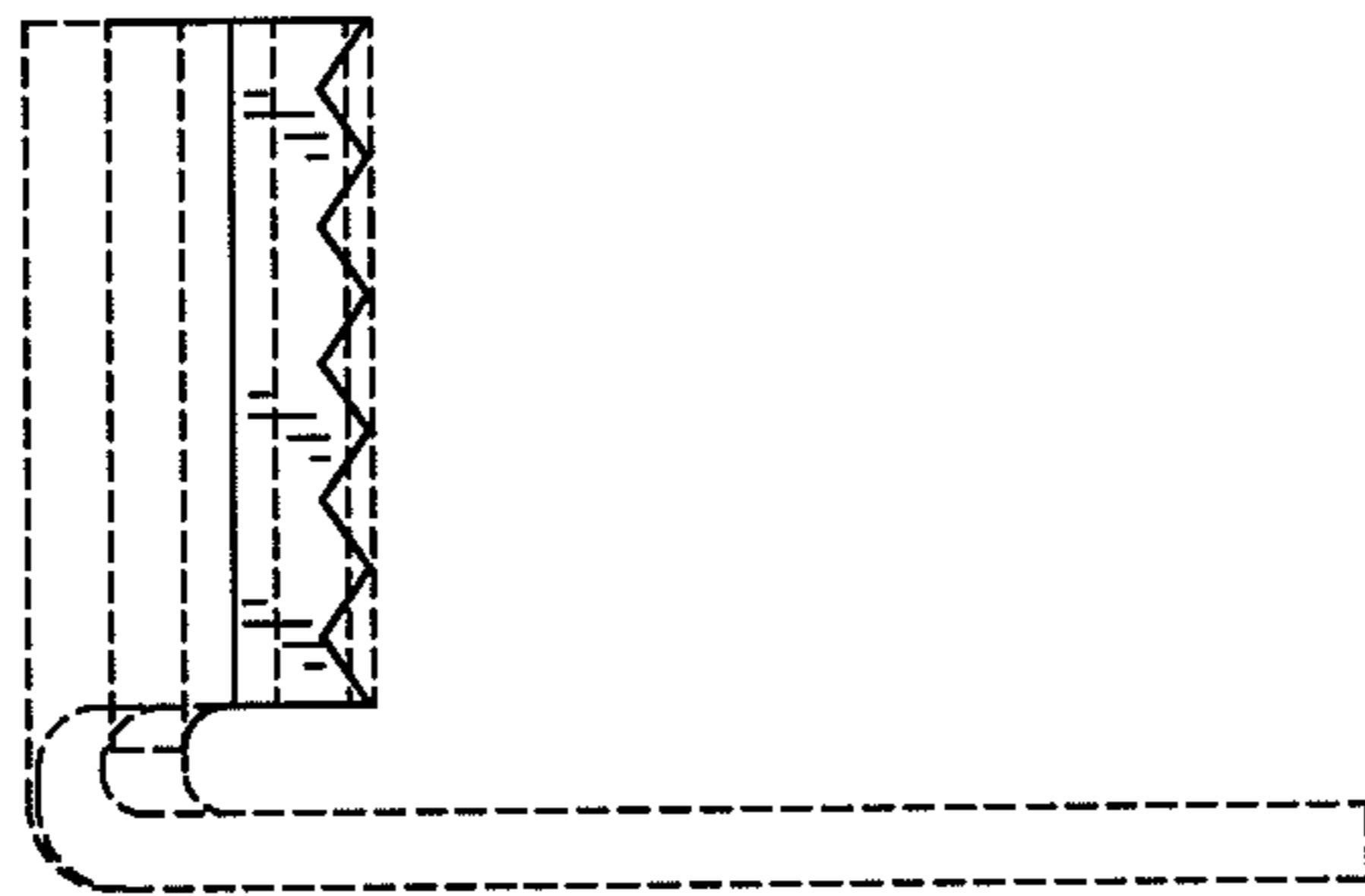


FIG. 11