



US00D702514S

(12) **United States Design Patent**  
**Copeland**

(10) **Patent No.:** **US D702,514 S**

(45) **Date of Patent:** **\*\* Apr. 15, 2014**

(54) **STAKE HEAD**

(71) Applicant: **RLP Management Holdings, LLC**,  
Franklin Lakes, NJ (US)

(72) Inventor: **Charles A. Copeland**, Chesapeake, MD  
(US)

(73) Assignee: **RLP Management Holdings, LLC**,  
Franklin Lakes, NJ (US)

(\*\*) Term: **14 Years**

(21) Appl. No.: **29/444,545**

(22) Filed: **Jan. 31, 2013**

(51) **LOC (10) Cl.** ..... **08-01**

(52) **U.S. Cl.**  
USPC ..... **D8/1**

(58) **Field of Classification Search**  
USPC ..... D8/1; D26/138; D21/840; 47/43-47;  
135/118; 248/156

See application file for complete search history.

(56) **References Cited**

**U.S. PATENT DOCUMENTS**

D243,351 S 2/1977 Laukhuf  
D333,526 S 2/1993 Taylor  
5,337,993 A \* 8/1994 Hersman ..... 248/156

D365,169 S 12/1995 Fillipp  
5,535,461 A 7/1996 Schwender  
5,881,495 A \* 3/1999 Clark ..... 47/48.5  
7,472,874 B2 1/2009 Gross et al.  
D667,913 S 9/2012 Finnigan et al.  
8,371,319 B2 \* 2/2013 Meibos et al. .... 135/16

\* cited by examiner

*Primary Examiner* — Sheryl Lane

(74) *Attorney, Agent, or Firm* — Rosenberg, Klein & Lee

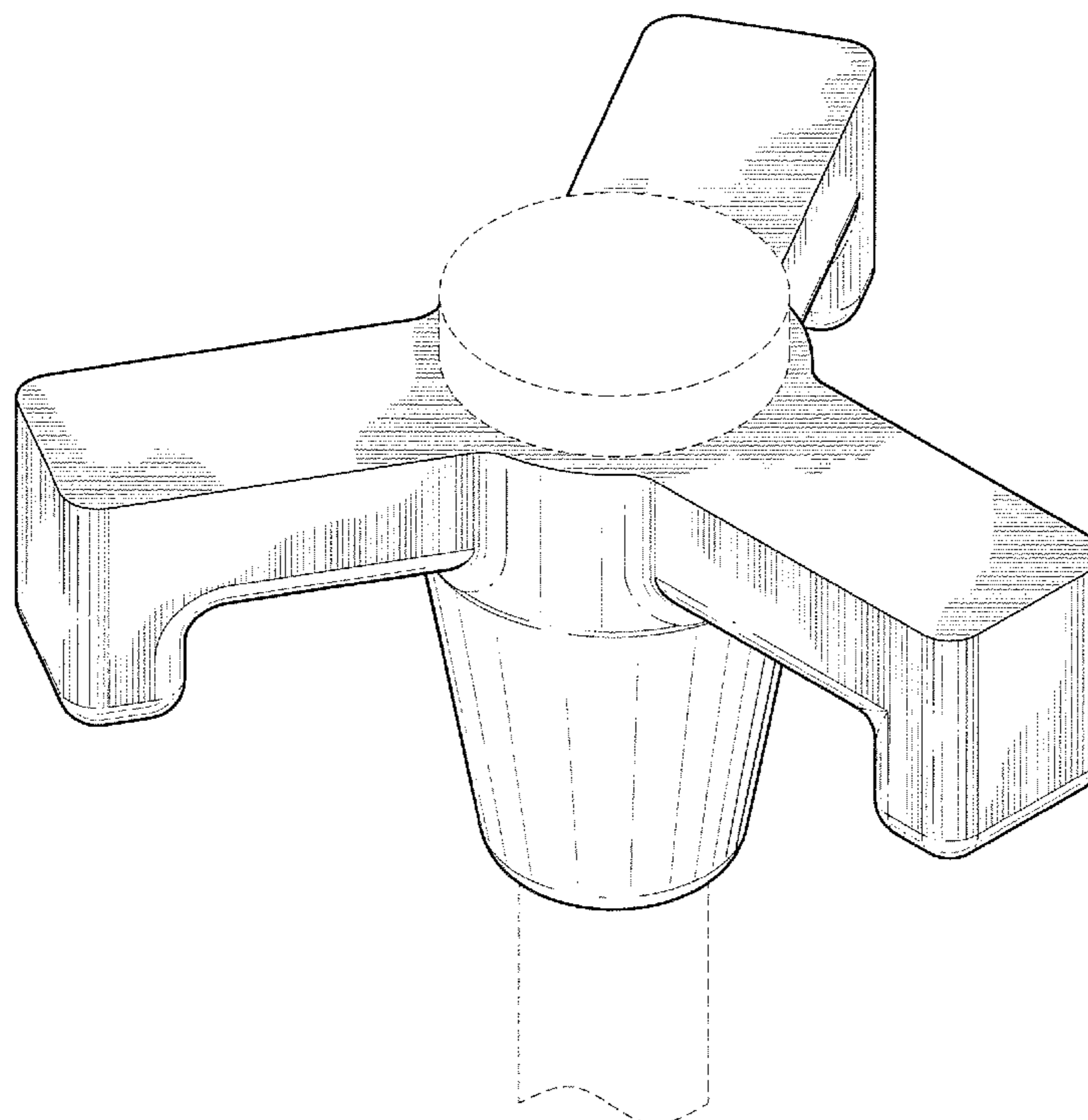
(57) **CLAIM**

The ornamental design for a “stake head,” as shown and described.

**DESCRIPTION**

FIG. 1 is a top perspective view of a stake head showing my new design;  
FIG. 2 is front elevation view thereof;  
FIG. 3 is a rear elevation view thereof;  
FIG. 4 is a right side elevation view thereof;  
FIG. 5 is a left side elevation view thereof;  
FIG. 6 is a top plan view thereof;  
FIG. 7 is a bottom plan view thereof; and,  
FIG. 8 is a bottom perspective view thereof.  
The broken lines in FIG. 1 are for the purpose of illustrating the environment of the design only, and form no part of the claimed design.

**1 Claim, 8 Drawing Sheets**



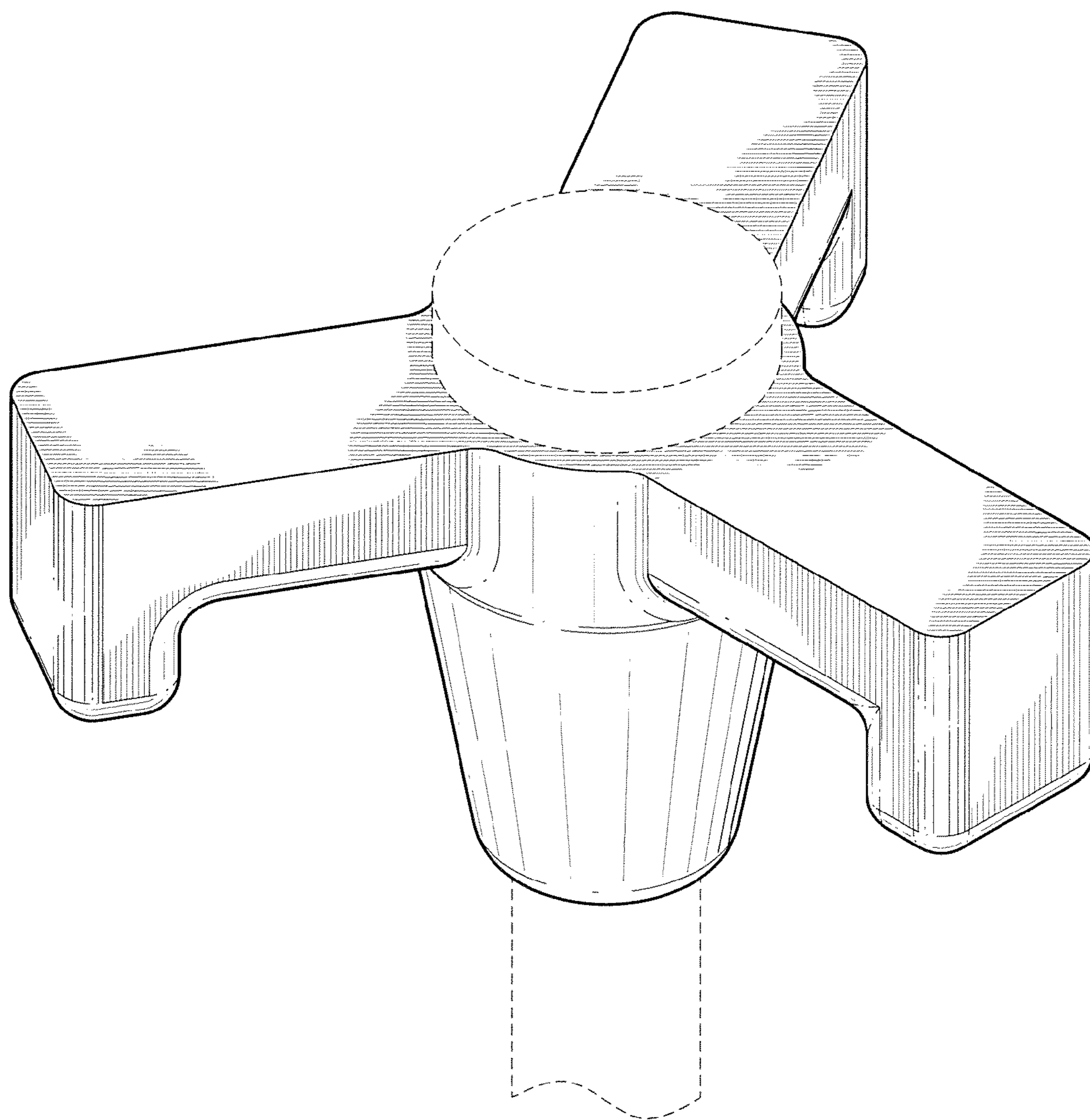


FIG. 1

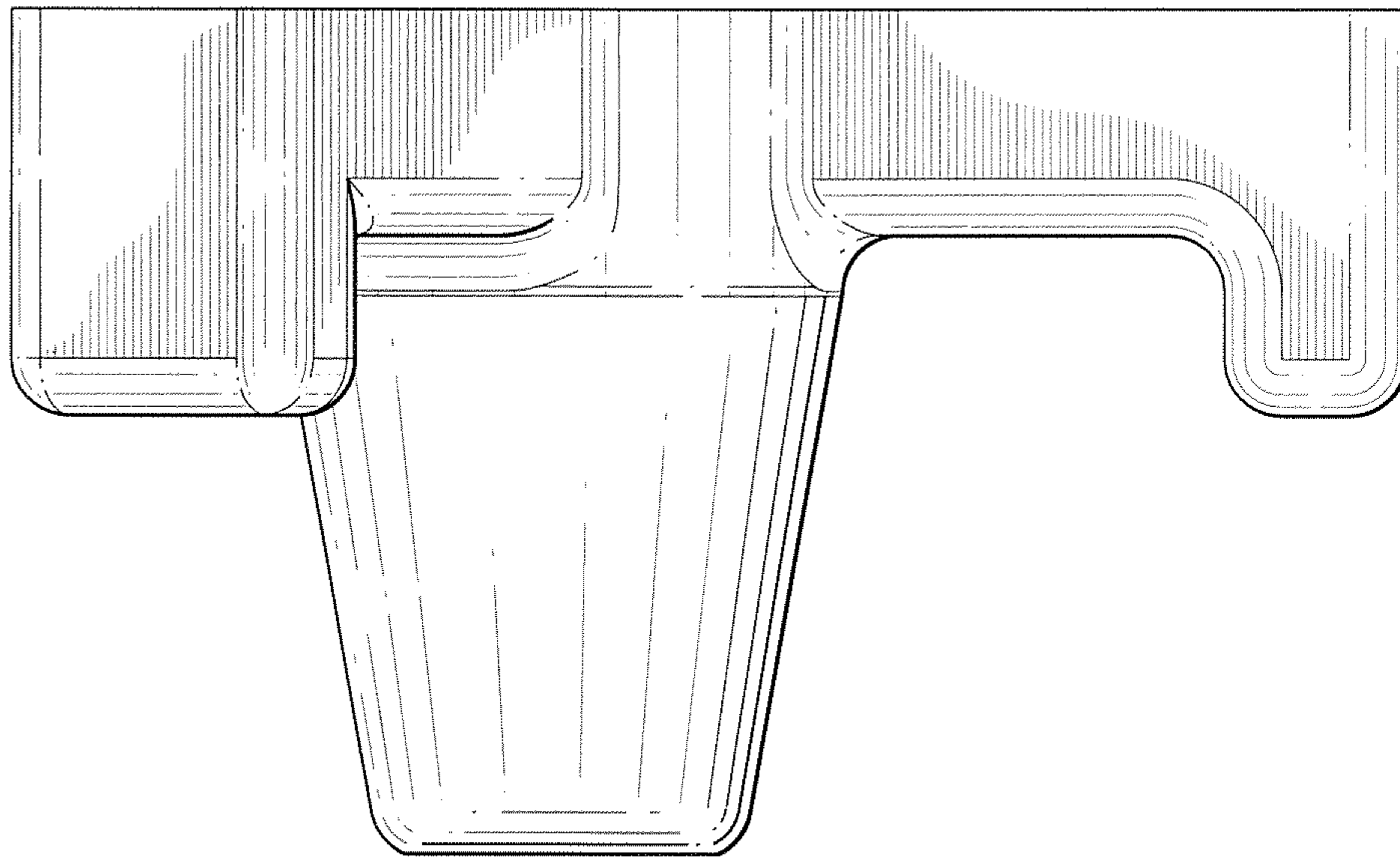


FIG. 2

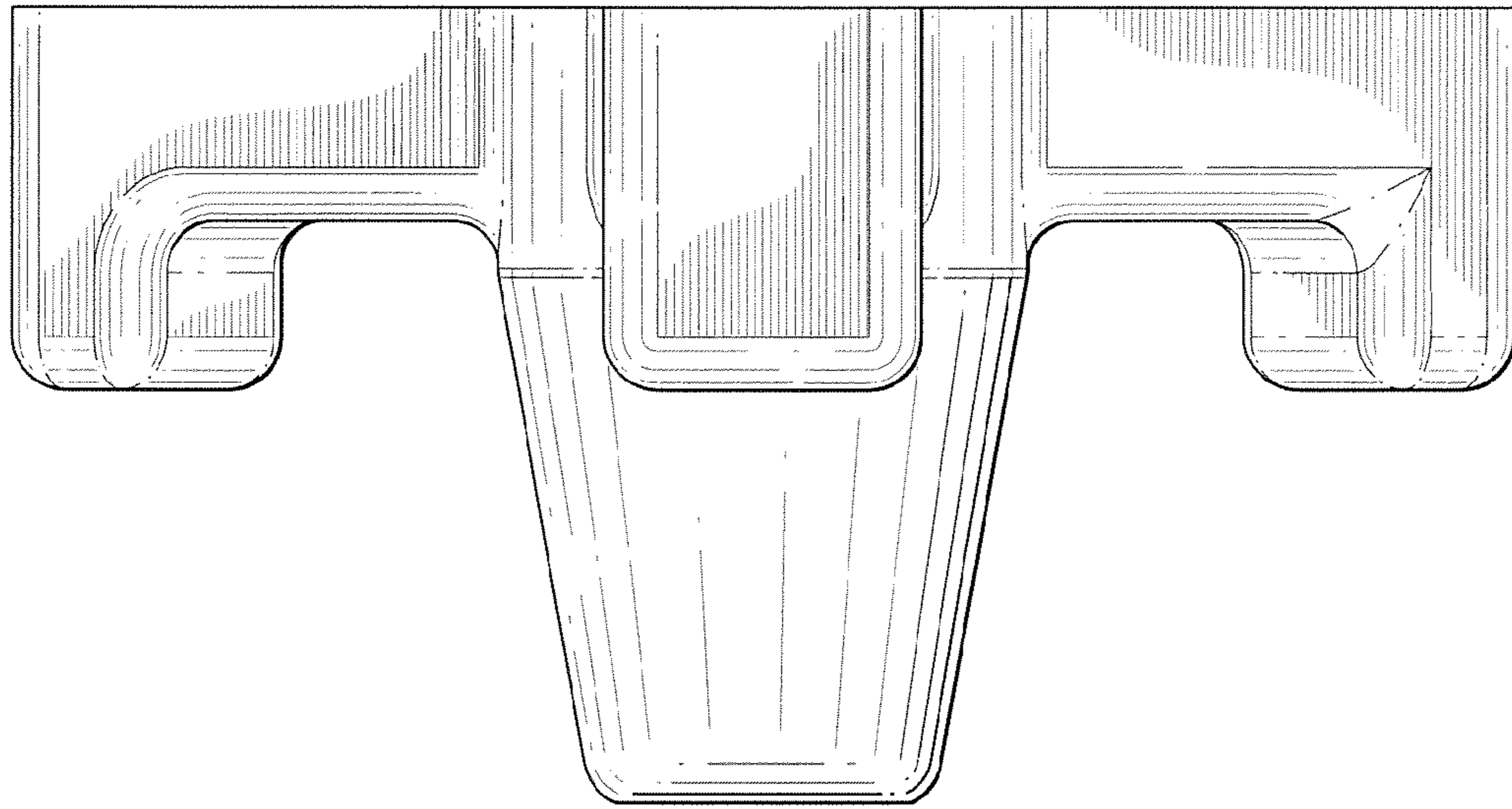


FIG. 3

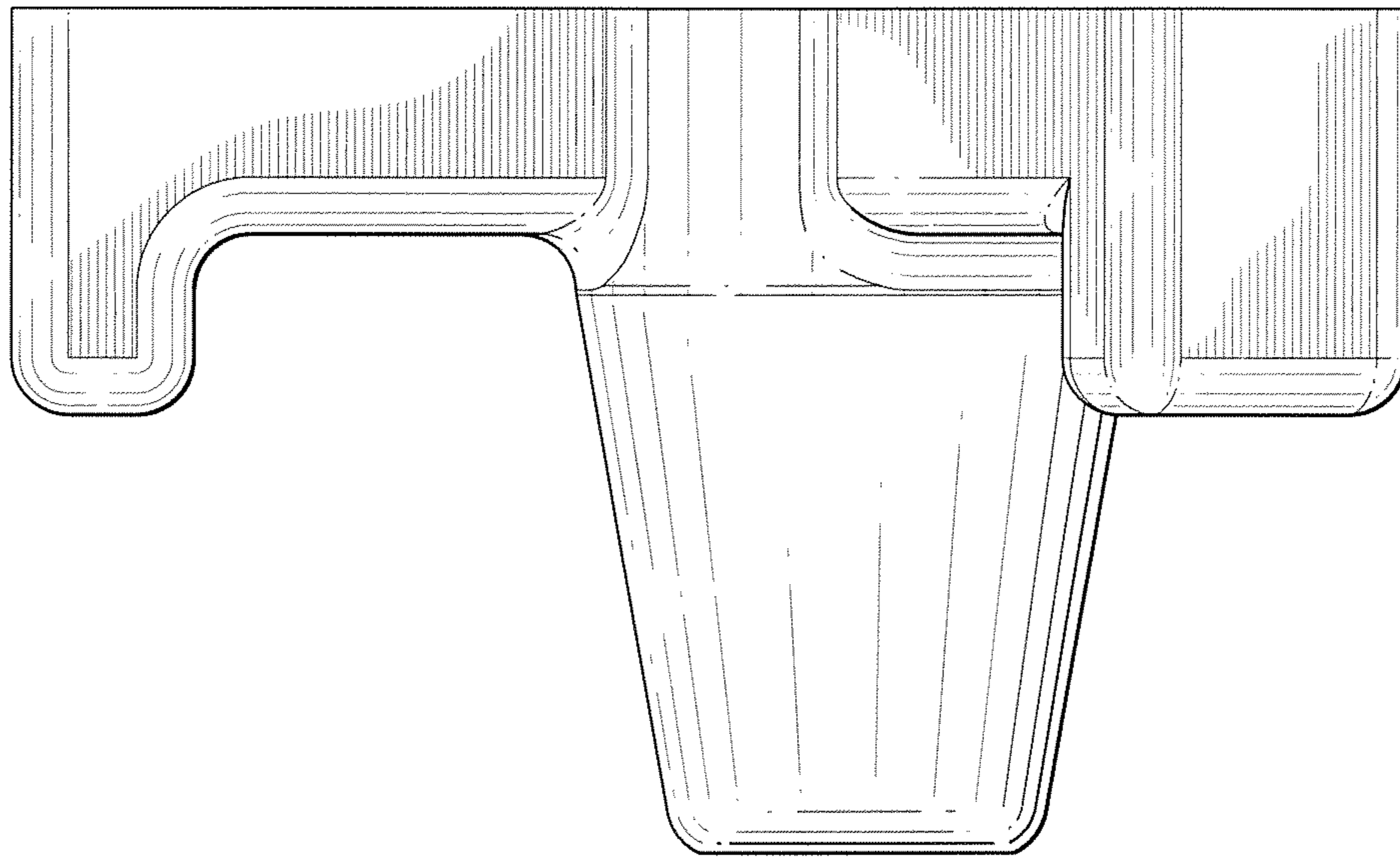


FIG. 4

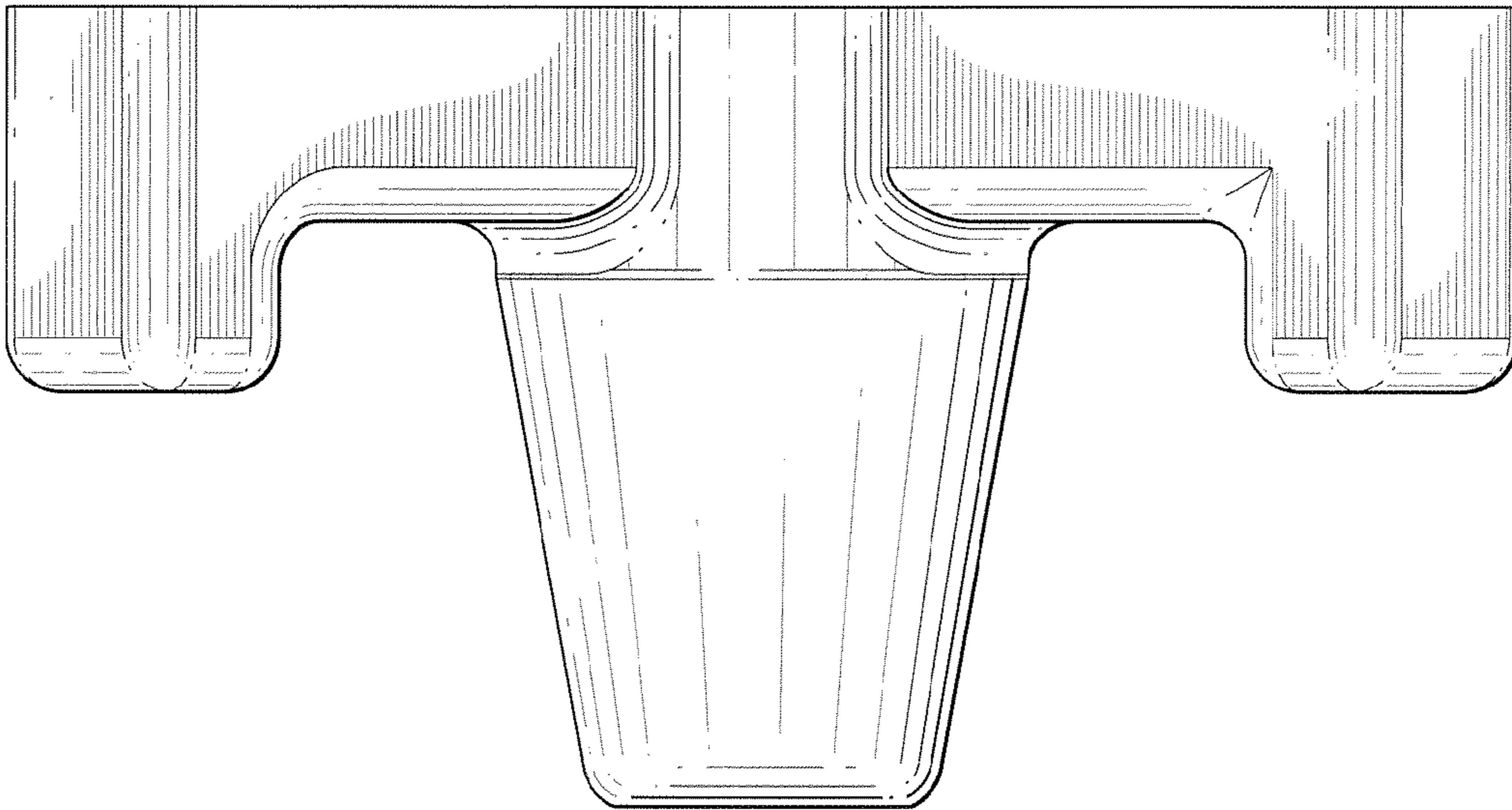


FIG. 5

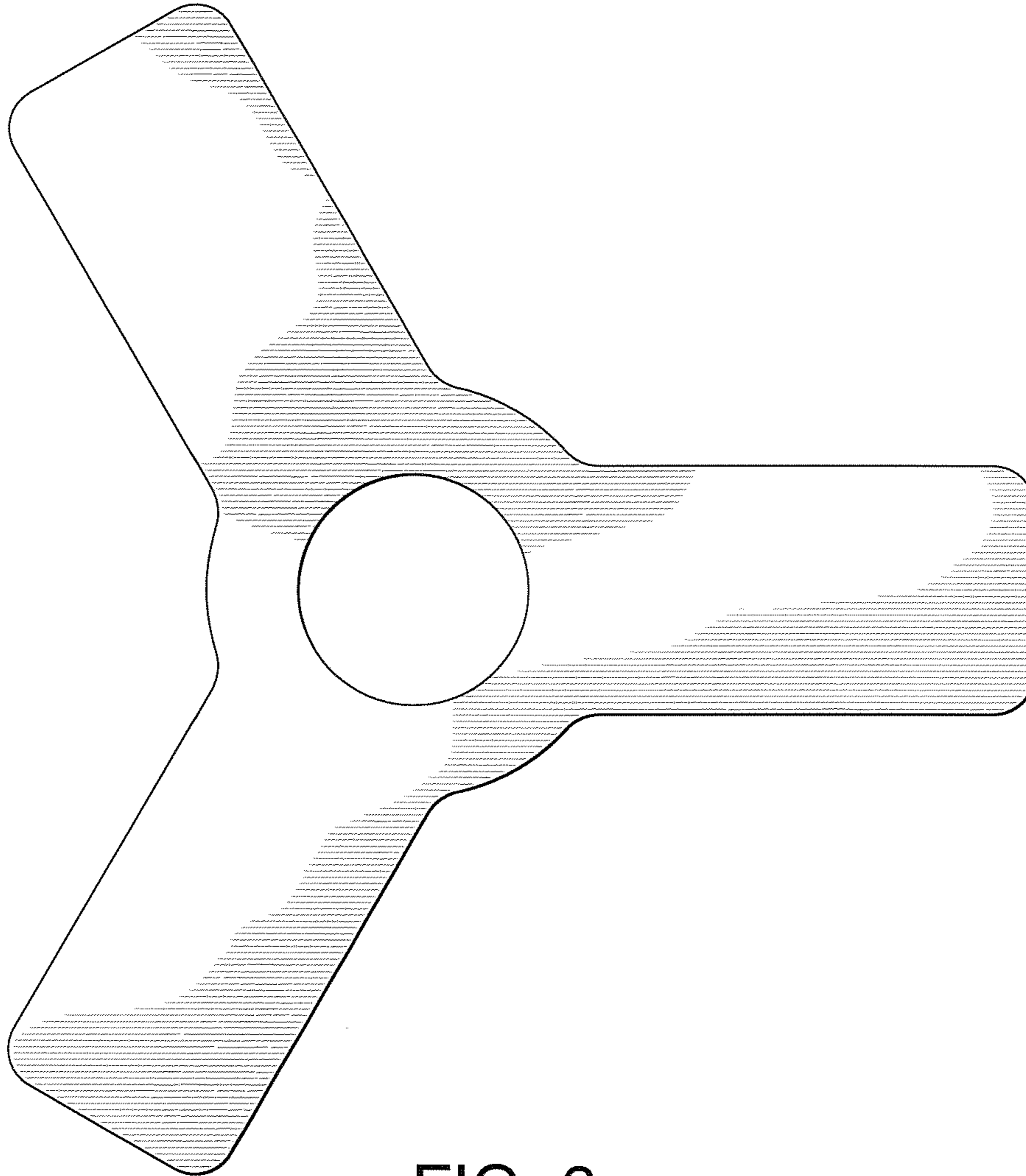


FIG. 6

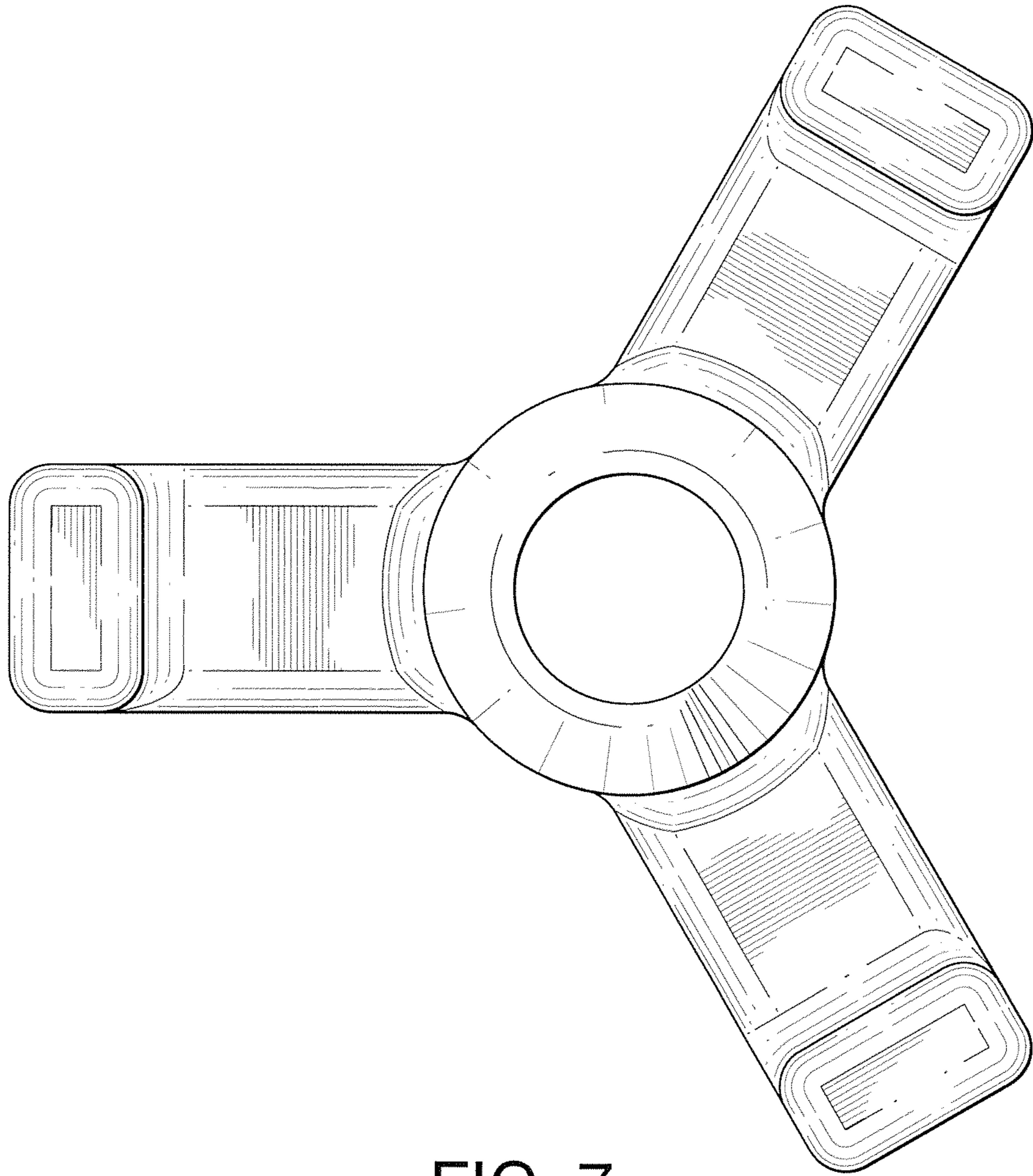


FIG. 7



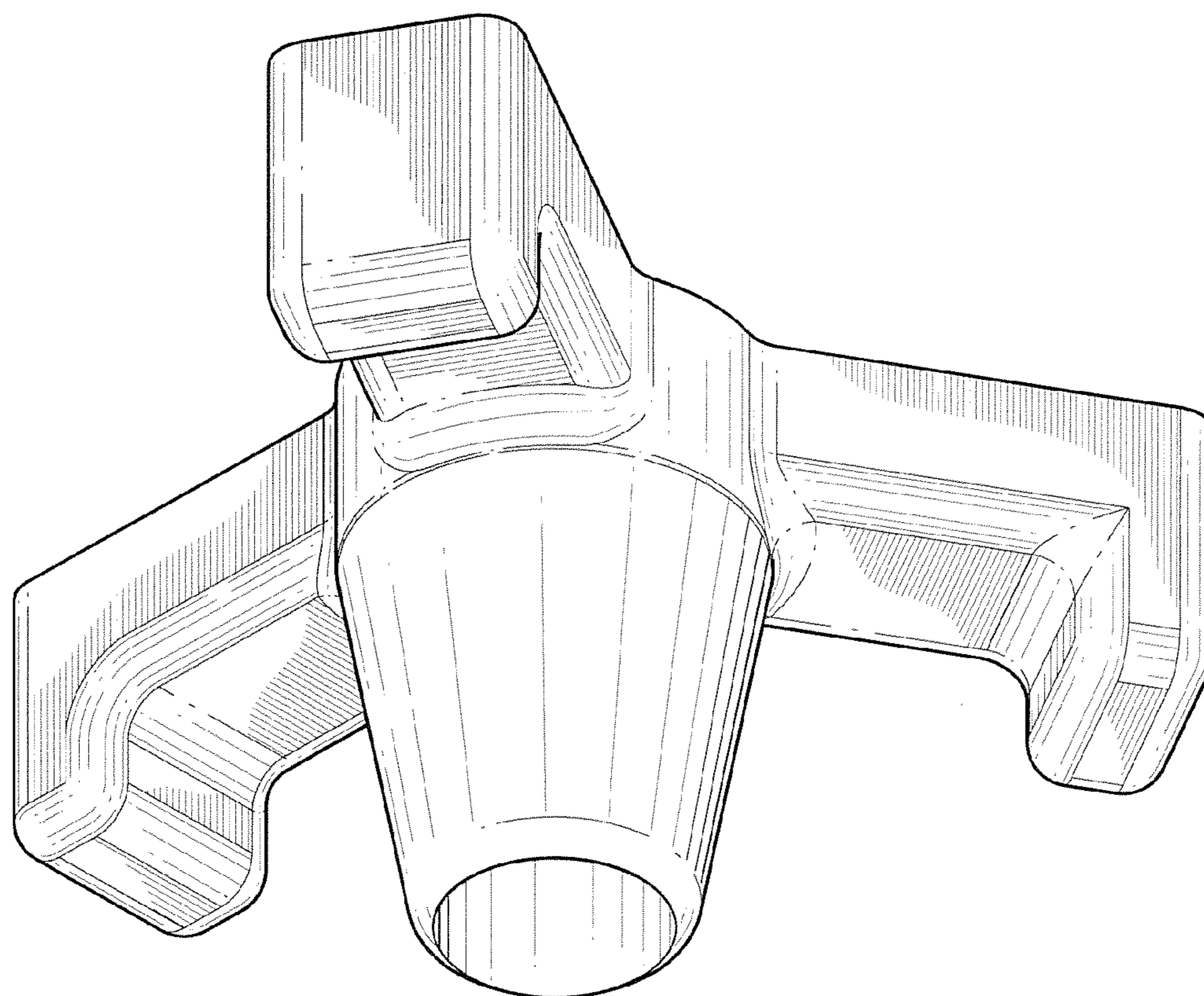


FIG. 8