



US00D702513S

(12) **United States Design Patent**
Harris et al.

(10) **Patent No.:** **US D702,513 S**
(45) **Date of Patent:** **** Apr. 15, 2014**

- (54) **FOOD PREPARATION TOOL**
- (71) Applicant: **Columbia Insurance Company,**
Omaha, NE (US)
- (72) Inventors: **E. Mark Harris,** McHenry, IL (US);
William Lupkes, Glendale Heights, IL
(US)
- (73) Assignee: **Columbia Insurance Company,**
Omaha, NE (US)
- (**) Term: **14 Years**
- (21) Appl. No.: **29/454,788**
- (22) Filed: **May 14, 2013**
- (51) **LOC (10) Cl.** **07-04**
- (52) **U.S. Cl.**
USPC **D7/692; D7/682**
- (58) **Field of Classification Search**
USPC D7/680-696, 368, 669; 366/129, 130,
366/342-344; 416/69, 70 R, 227 R; 99/538;
30/324-328; 452/102, 141, 145-147;
241/168, 169, 169.1, 285.1
See application file for complete search history.

4,383,367	A *	5/1983	Mielnicki	30/114
D353,746	S	12/1994	Weber		
5,613,431	A	3/1997	Tateno		
5,947,595	A *	9/1999	Eurisch et al.	366/129
D487,382	S *	3/2004	Kaposi	D7/692
D488,360	S	4/2004	Young		
7,055,247	B2	6/2006	Kaposi		
D528,379	S	9/2006	Dorion et al.		
7,421,786	B2	9/2008	Dorion		
D644,893	S *	9/2011	Jossem et al.	D7/682
2008/0168659	A1	7/2008	Lazaroff		

* cited by examiner

Primary Examiner — Terry Wallace

(74) *Attorney, Agent, or Firm* — Neal, Gerber & Eisenberg, LLP

(57) **CLAIM**

The ornamental design for a food preparation tool, as shown and described.

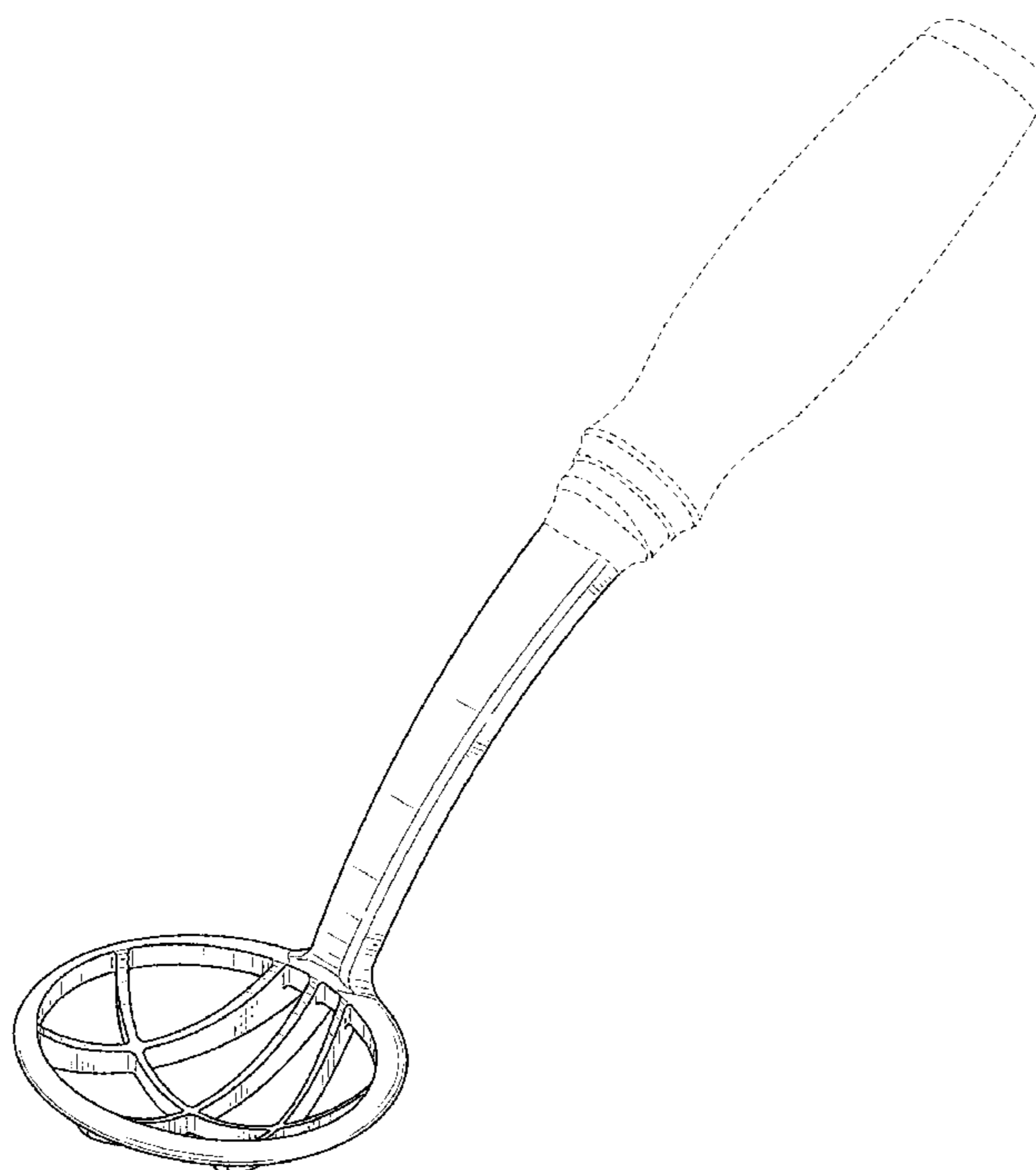
DESCRIPTION

FIG. 1 is a front, right side perspective of the food preparation tool showing our new design;
 FIG. 2 is a front elevational view thereof;
 FIG. 3 is a rear elevational view thereof;
 FIG. 4 is a left side elevational view thereof;
 FIG. 5 is a right side elevational view thereof;
 FIG. 6 is a top plan view thereof; and,
 FIG. 7 is a bottom plan view thereof.
 The broken lines in FIGS. 1-7 of the food preparation tool are for the purpose of illustrating environment, and form no part of the claimed design.

1 Claim, 4 Drawing Sheets

- (56) **References Cited**
U.S. PATENT DOCUMENTS

581,493 A * 4/1897 Saltsman 241/169.2
2,321,725 A 6/1943 Alderfer
3,865,317 A 2/1975 Brehm



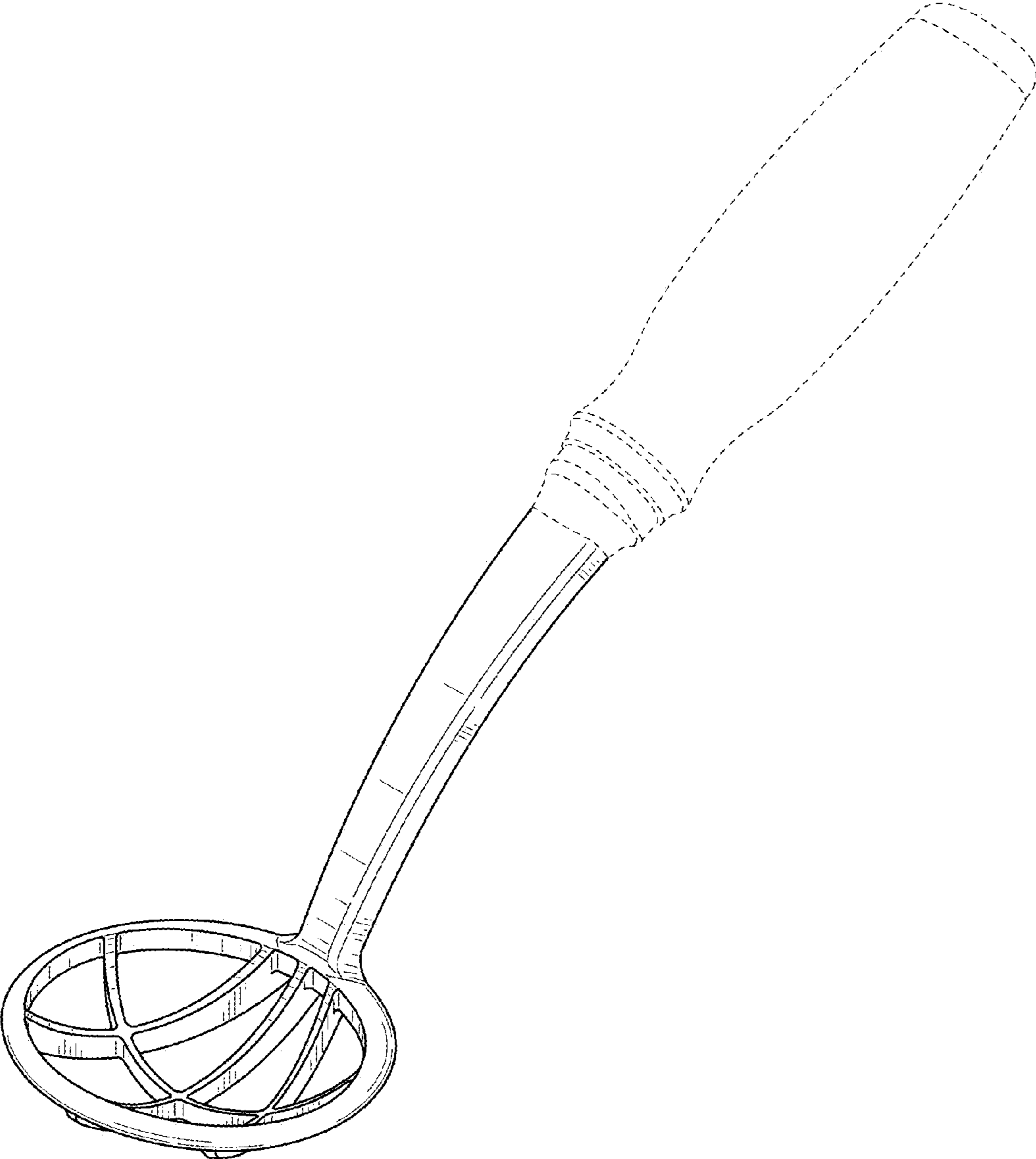


FIG. 1

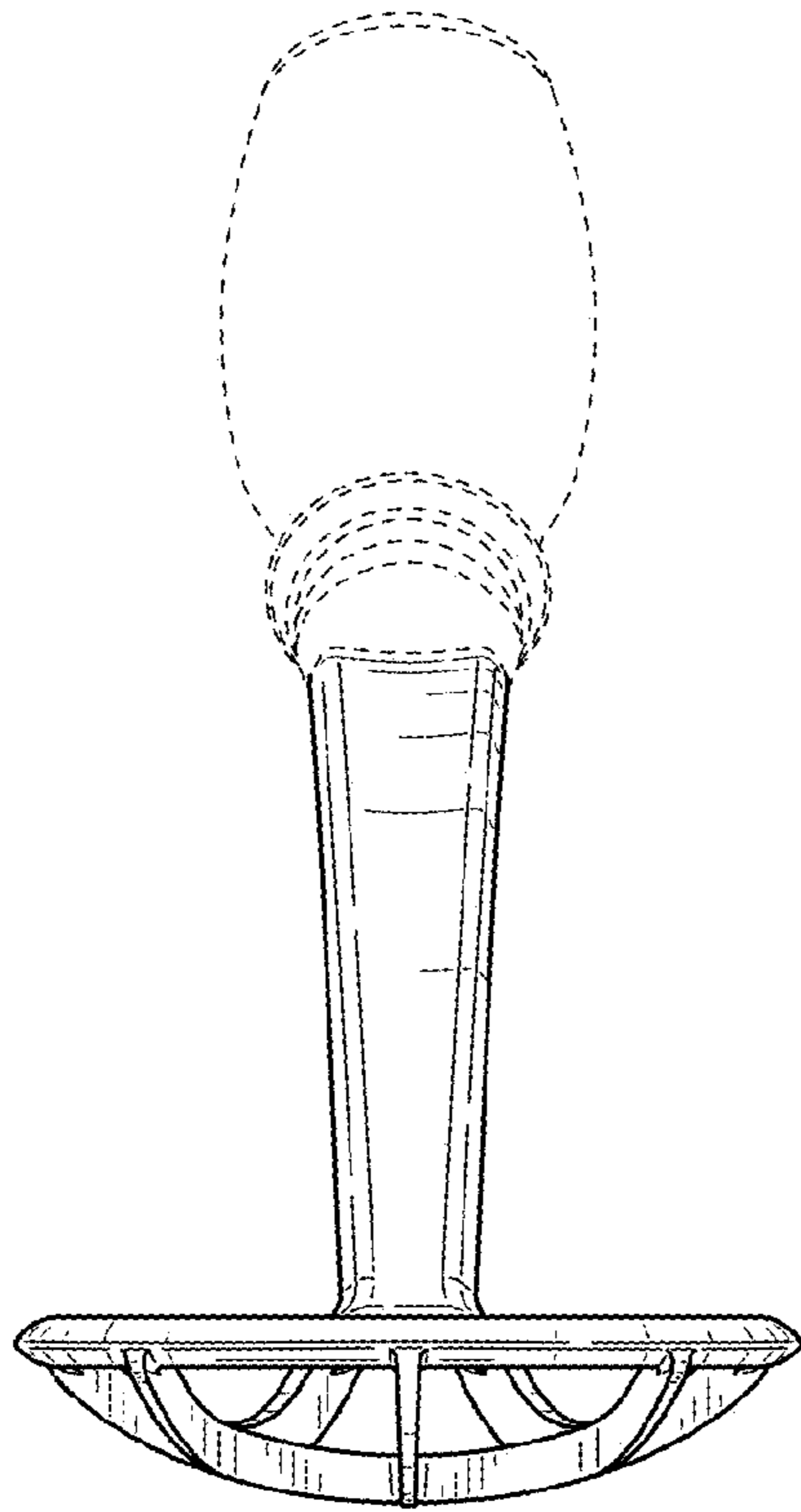


FIG. 2

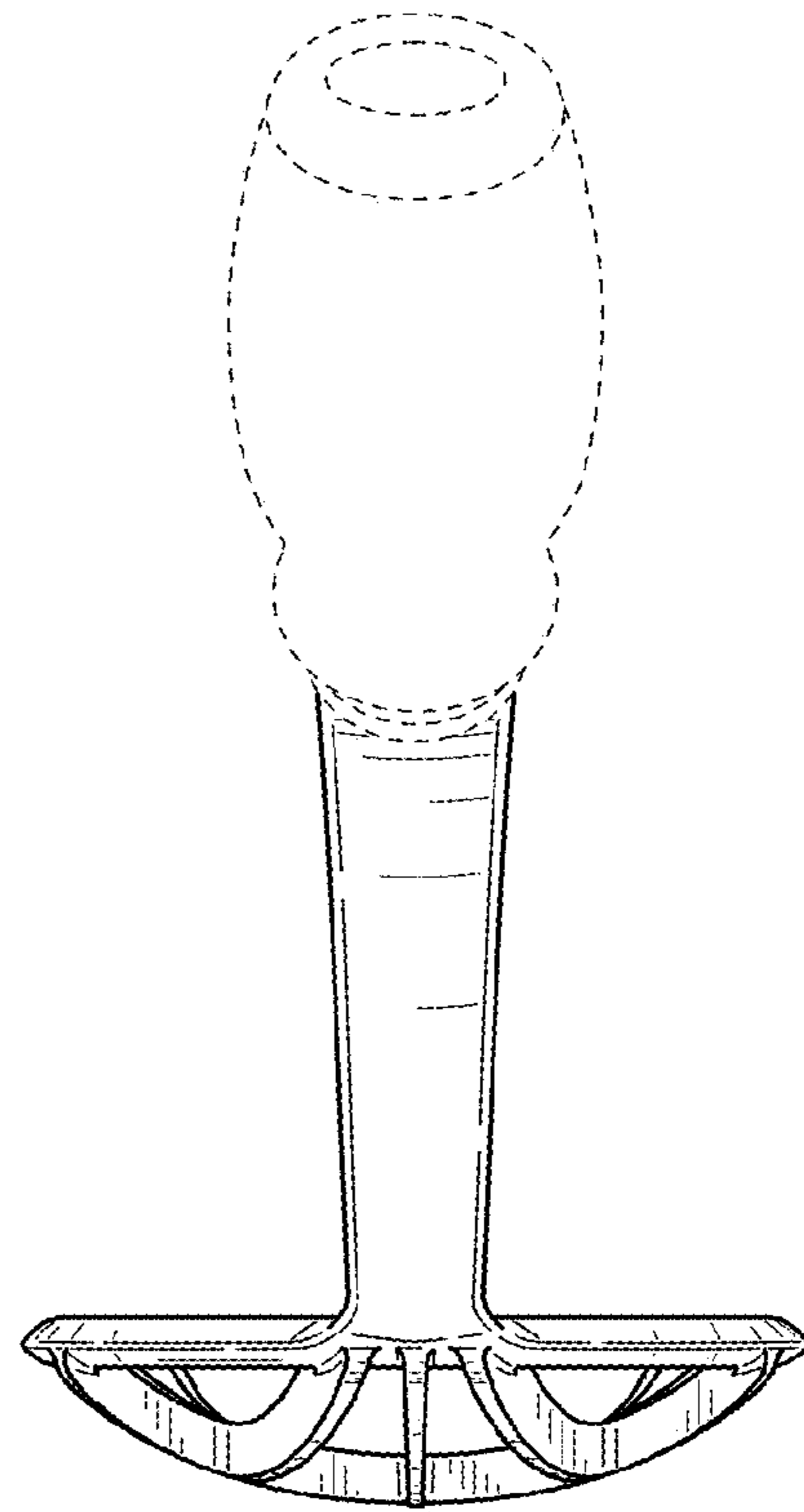


FIG. 3

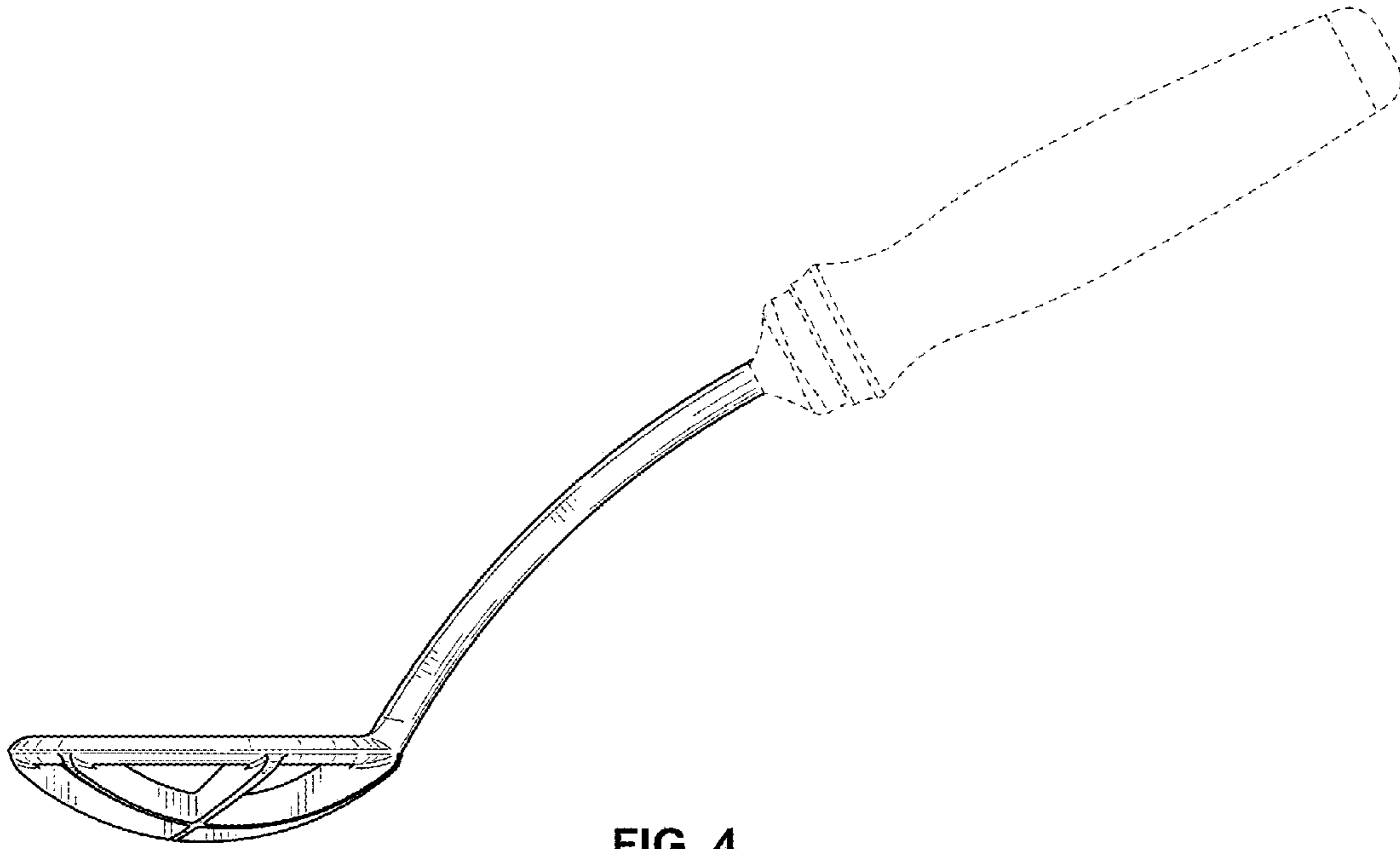


FIG. 4

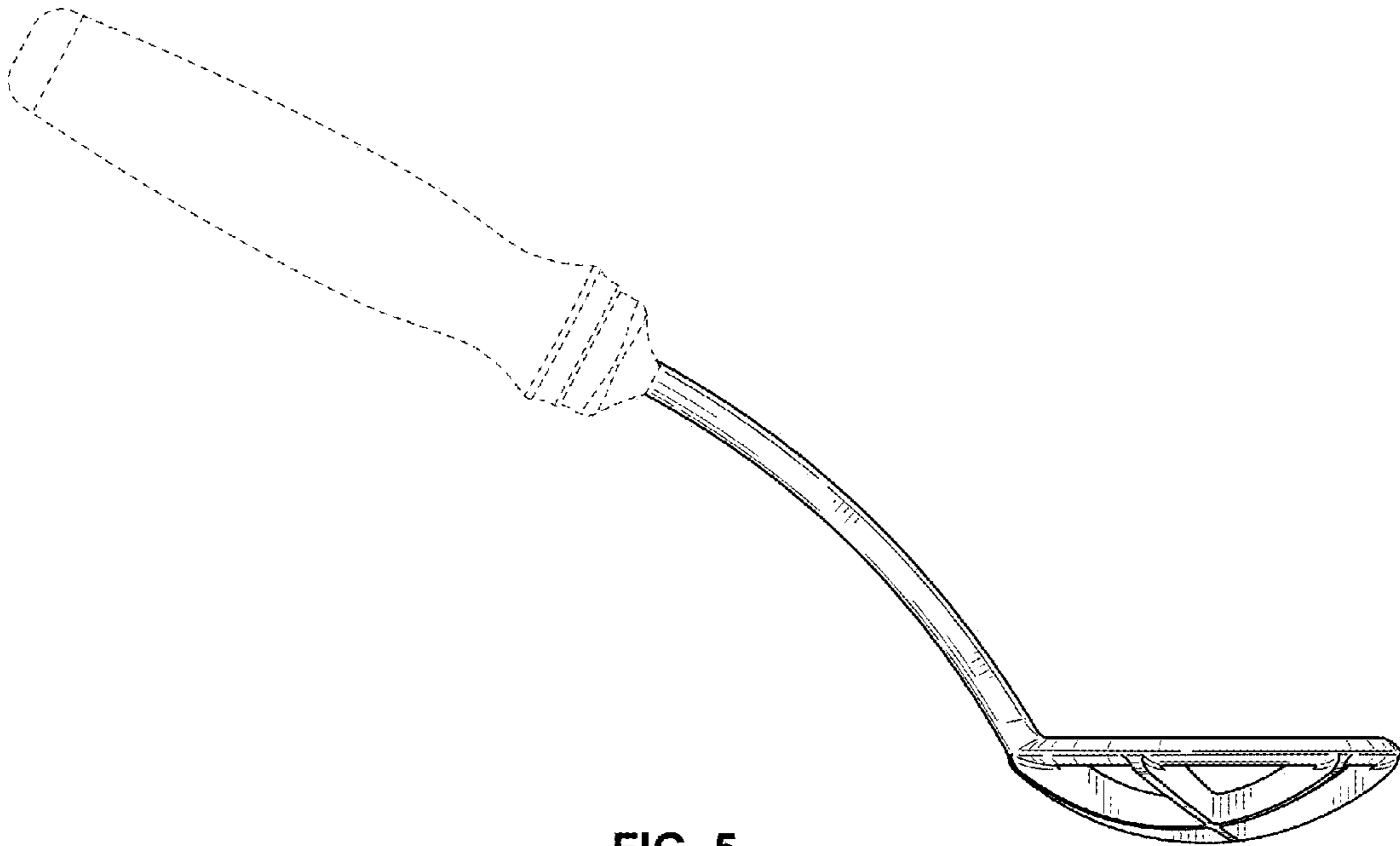


FIG. 5

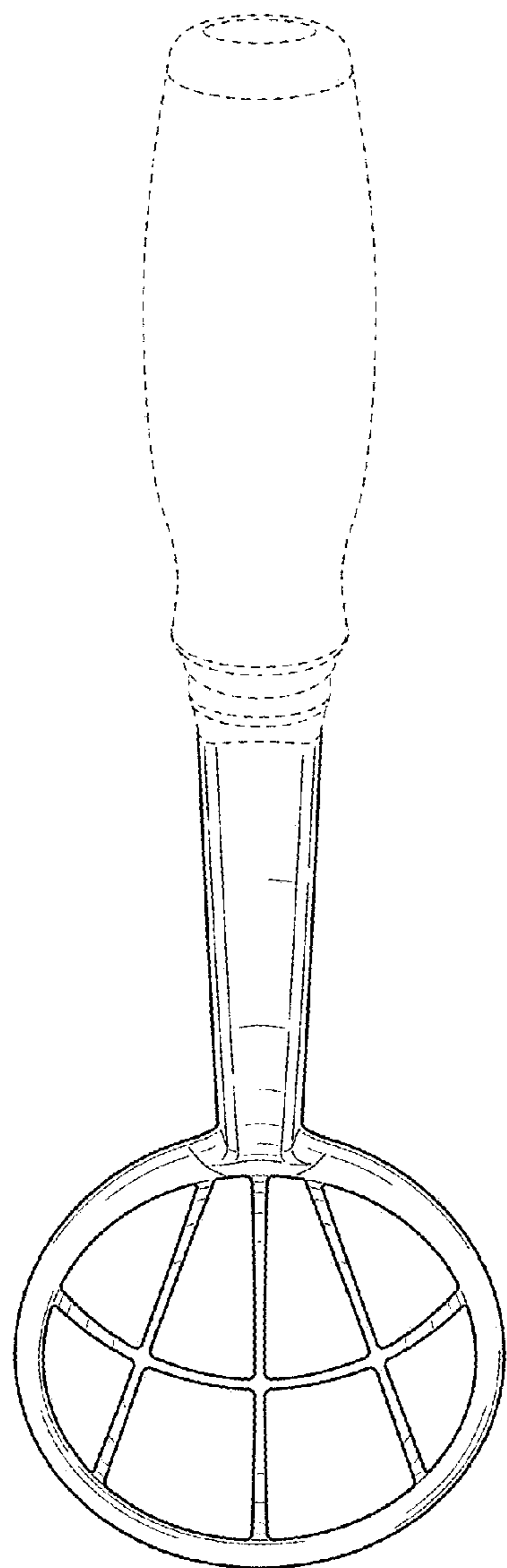


FIG. 6

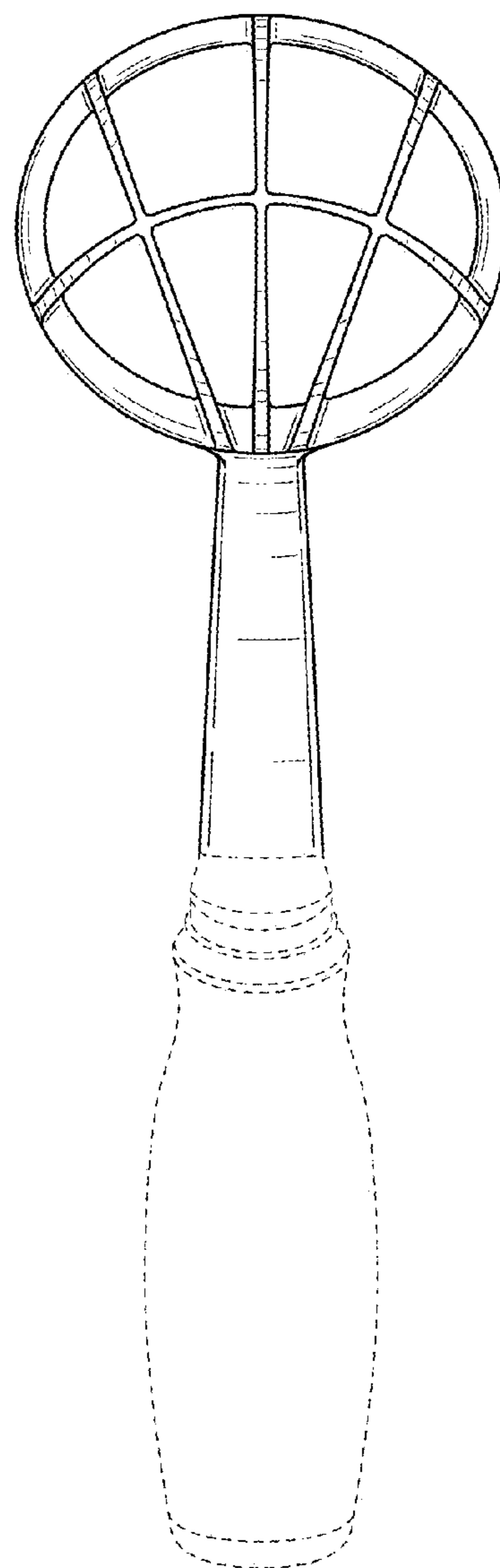


FIG. 7