



US00D702511S

(12) **United States Design Patent**
Segal

(10) **Patent No.:** **US D702,511 S**
(45) **Date of Patent:** **** Apr. 15, 2014**

(54) **FOOD CONTAINER**

(71) Applicant: **Alexander Segal**, Richmond Hill (CA)

(72) Inventor: **Alexander Segal**, Richmond Hill (CA)

(**) Term: **14 Years**

(21) Appl. No.: **29/456,660**

(22) Filed: **Jun. 2, 2013**

(51) **LOC (10) Cl.** **07-07**

(52) **U.S. Cl.**
USPC **D7/629**

(58) **Field of Classification Search**

USPC D7/628, 629, 602, 538-542; D3/201,
D3/203.1-203.8, 204-206, 273, 274;
D9/424-432; 220/780-802, 675,
220/574-575, 573.1, 326, 236

See application file for complete search history.

(56) **References Cited**

U.S. PATENT DOCUMENTS

4,787,527	A *	11/1988	Monetti	220/557
4,819,824	A *	4/1989	Longbottom et al.	220/266
4,976,370	A *	12/1990	Cassel	220/792
D351,090	S	10/1994	Narsutis		
D439,159	S *	3/2001	Chen	D9/425
D440,470	S	4/2001	Tucker et al.		

(Continued)

OTHER PUBLICATIONS

Advertisement, www.cubeplastics.com, Oct. 2007.

Primary Examiner — Terry Wallace

(74) Attorney, Agent, or Firm — Alex Porat

(57) **CLAIM**

The ornamental design for a food container, as shown and described.

DESCRIPTION

FIG. 1 is a top perspective view showing my new design for a food container, including a base and a lid.

FIG. 2 is a top perspective view of the food container shown in FIG. 1, with the lid separated from the base.

FIG. 3 is bottom perspective view of the food container shown in FIG. 1, with the lid separated from the base.

FIG. 4 is a side view of the food container shown in FIG. 1.

FIG. 5 is a side view of the food container shown in FIG. 1, with the lid separated from the base.

FIG. 6 is an end view of the food container shown in FIG. 1.

FIG. 7 is an end view of the food container shown in FIG. 1, with the lid separated from the base.

FIG. 8 is a top view of the food container shown in FIG. 1.

FIG. 9 is a bottom view of the food container shown in FIG. 1.

FIG. 10 a top perspective view of an alternate size embodiment of my new design for a food container, including a base and a lid.

FIG. 11 is a top perspective view of the food container shown in FIG. 10, with the lid separated from the base.

FIG. 12 is bottom perspective view of the food container shown in FIG. 10, with the lid separated from the base.

FIG. 13 is a side view of the food container shown in FIG. 10.

FIG. 14 is a side view of the food container shown in FIG. 10, with the lid separated from the base.

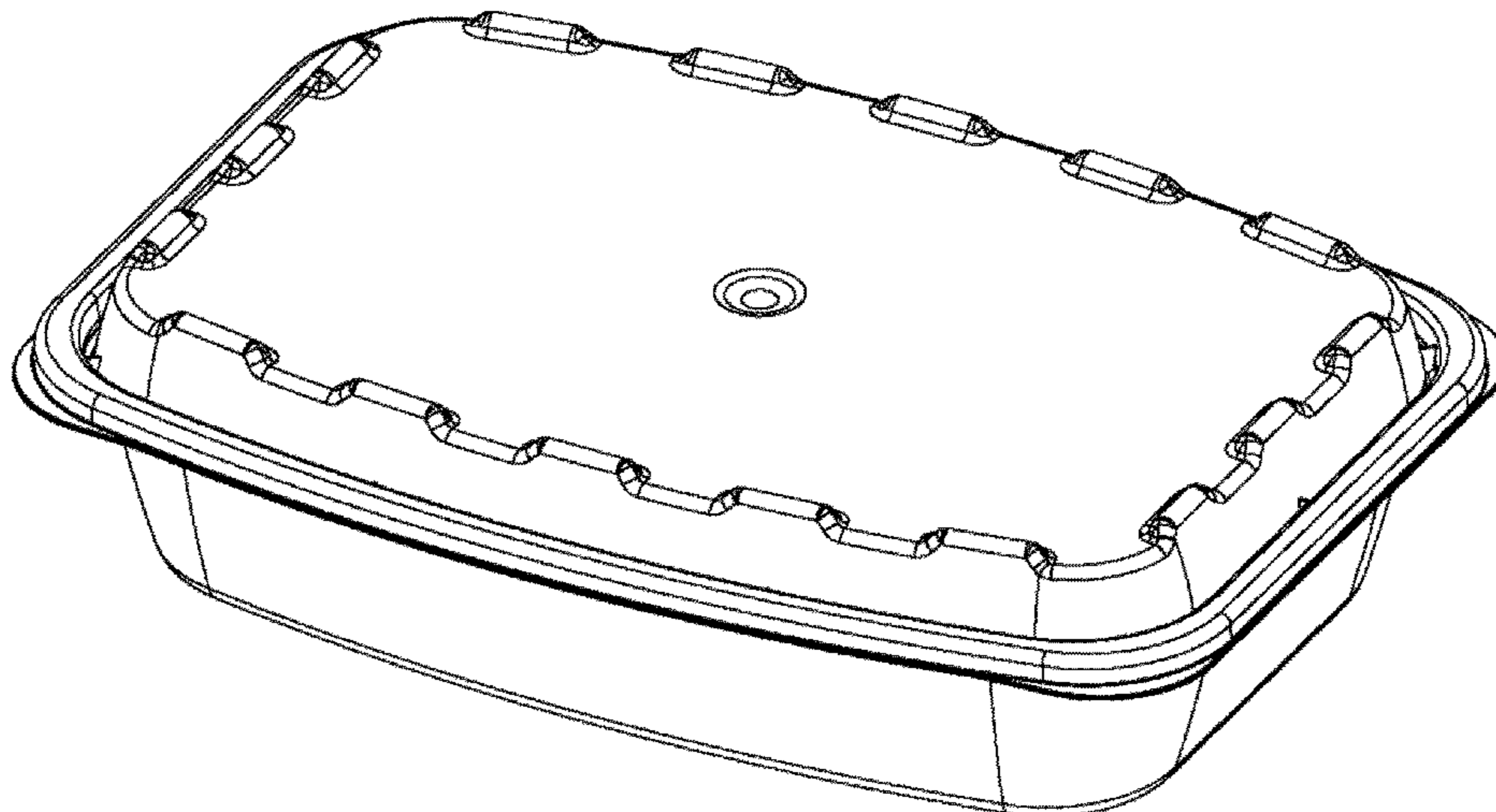
FIG. 15 is an end view of the food container shown in FIG. 10.

FIG. 16 is an end view of the food container shown in FIG. 10, with the lid separated from the base.

FIG. 17 is a top view of the food container shown in FIG. 10; and,

FIG. 18 is a bottom view of the food container shown in FIG. 10.

1 Claim, 18 Drawing Sheets



(56)

References Cited

U.S. PATENT DOCUMENTS

D449,495 S *	10/2001	Tucker et al.	D7/629	D610,878 S	3/2010	Kim	
D468,637 S *	1/2003	Chou	D9/425	D614,950 S	5/2010	Colacitti	
D469,689 S	2/2003	Buchalski et al.		D618,516 S *	6/2010	DiPietro et al.	D7/629
D483,622 S	12/2003	Kim		D649,409 S	11/2011	Segal	
D541,598 S	5/2007	Kim		D649,410 S	11/2011	Segal	
D568,693 S	5/2008	Furlong		D656,367 S	3/2012	Segal	
D591,112 S	4/2009	Wang		D656,368 S *	3/2012	Segal	D7/629
D606,812 S *	12/2009	Wu	D7/629	D681,451 S *	5/2013	Kui	D9/432
				2010/0038274 A1	2/2010	Segal	
				2012/0103991 A1	5/2012	Segal	

* cited by examiner

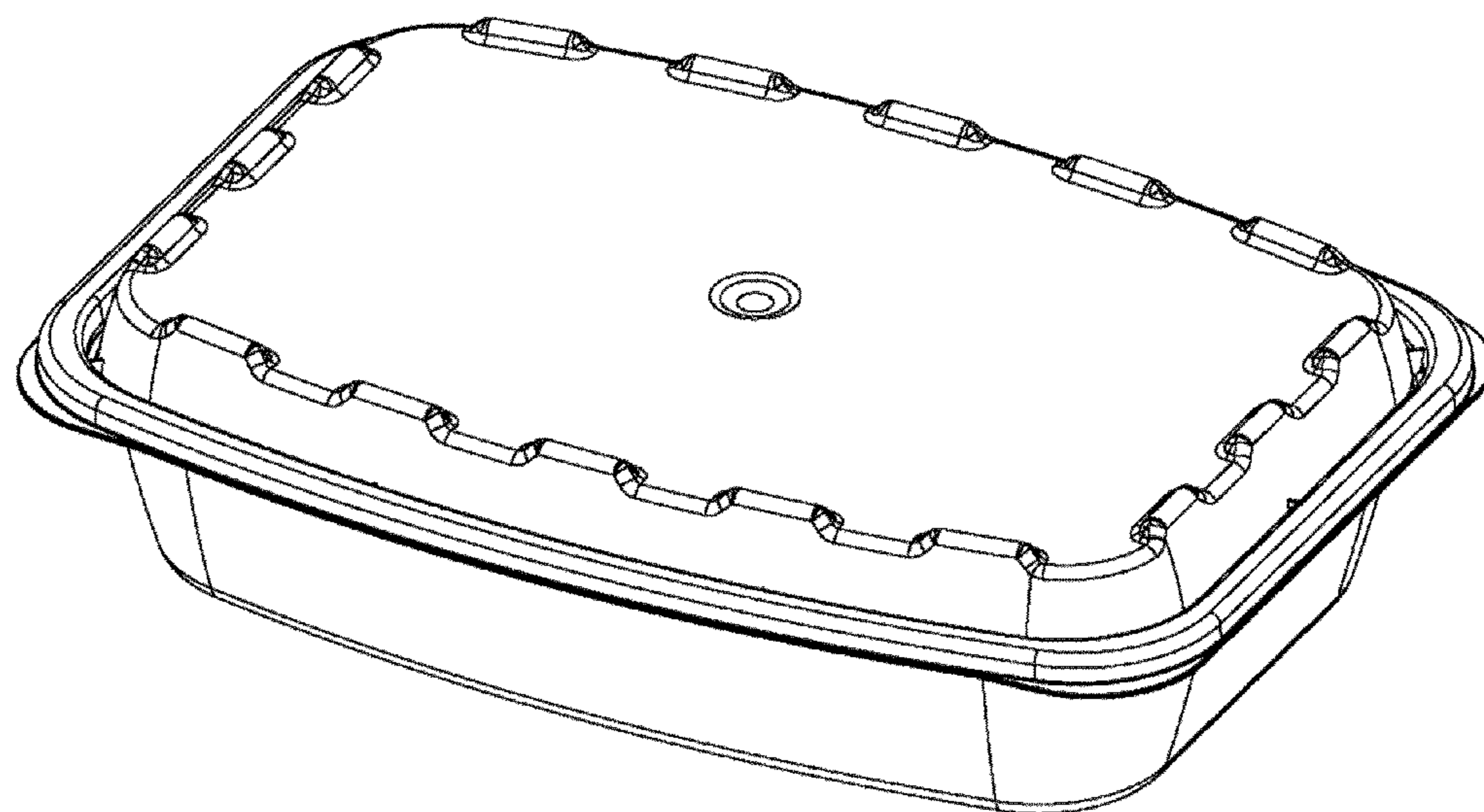


Fig. 1

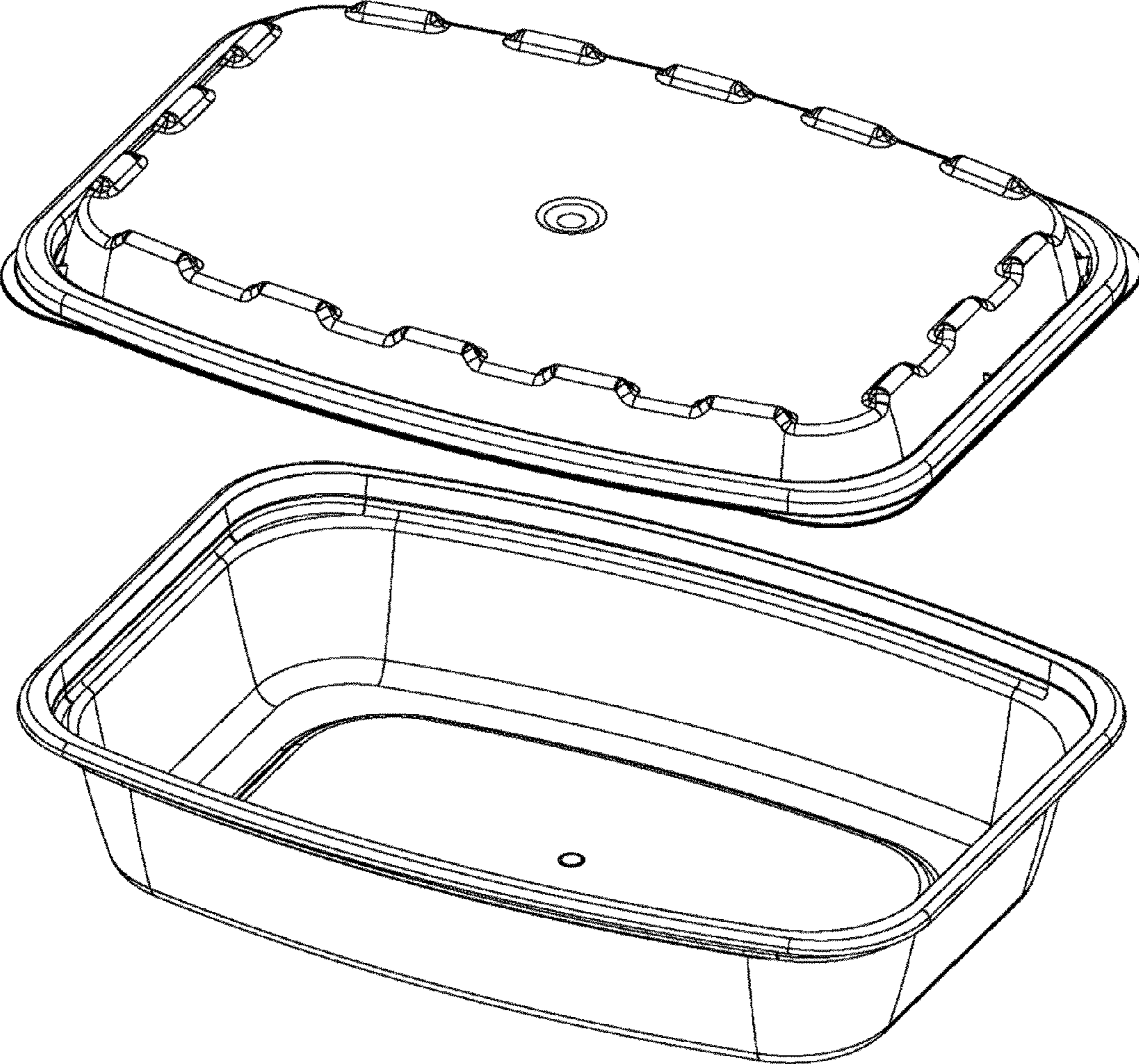


Fig. 2

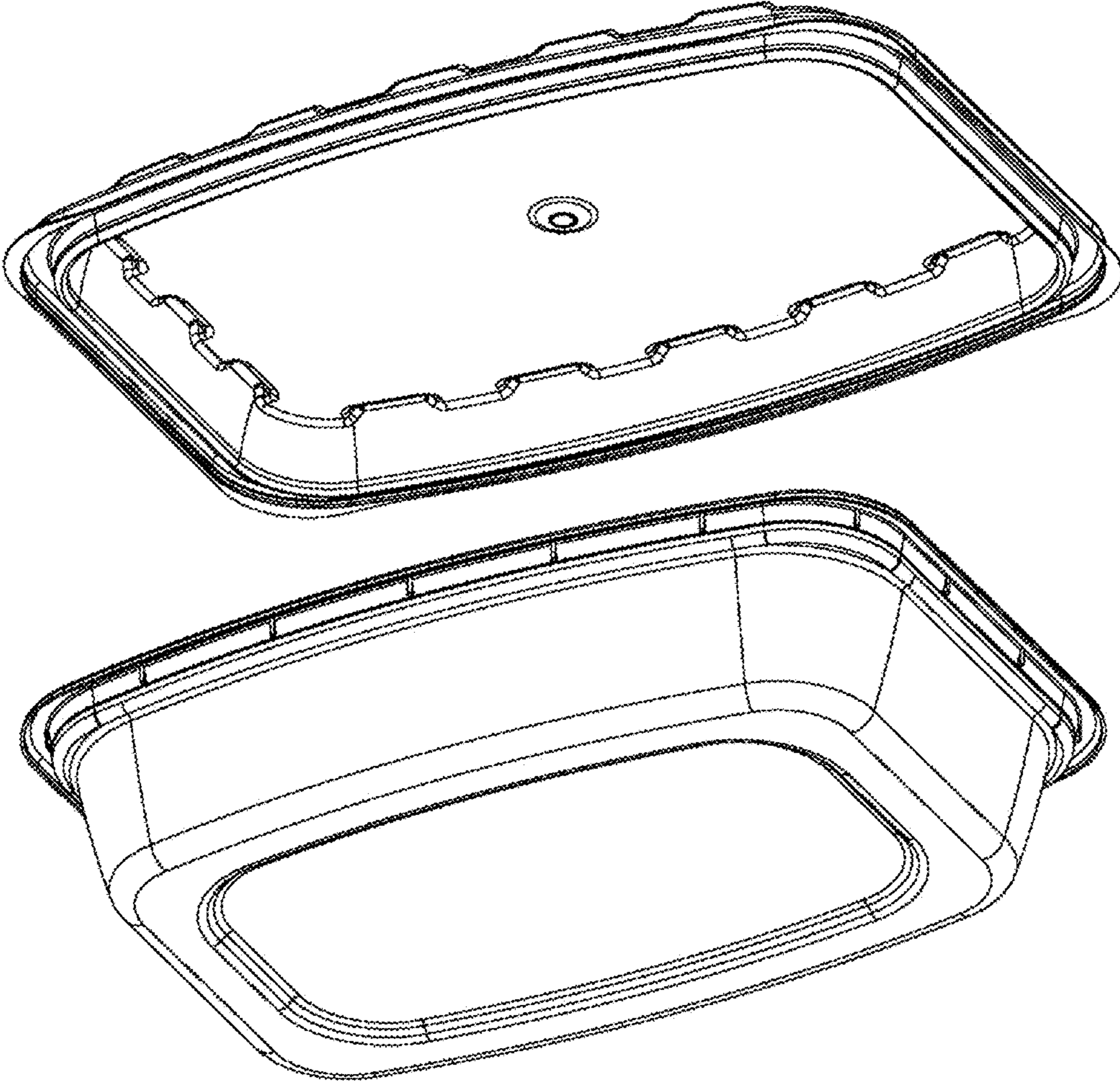


Fig. 3

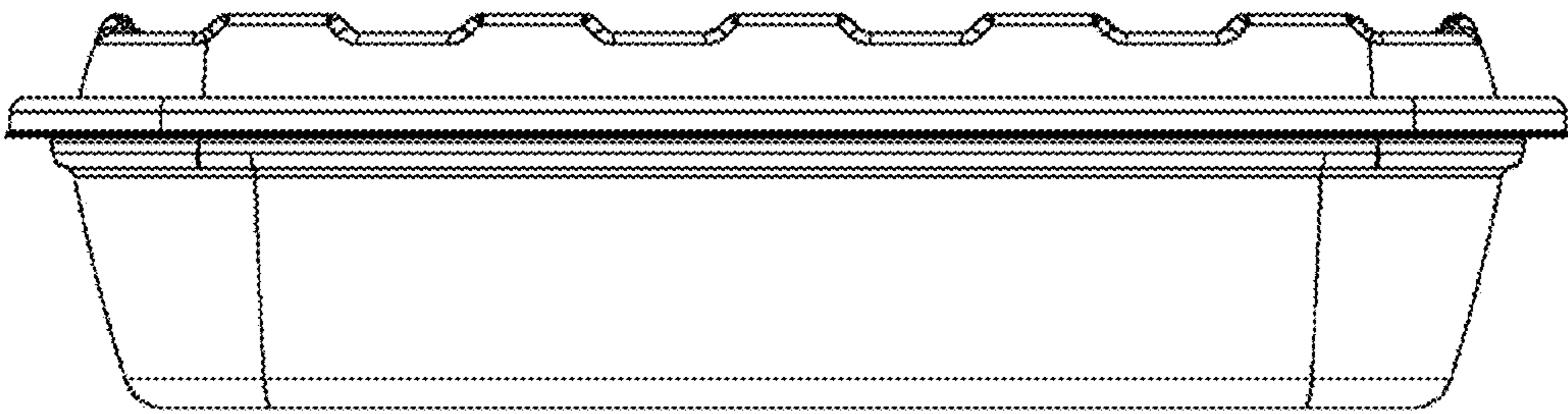


Fig. 4

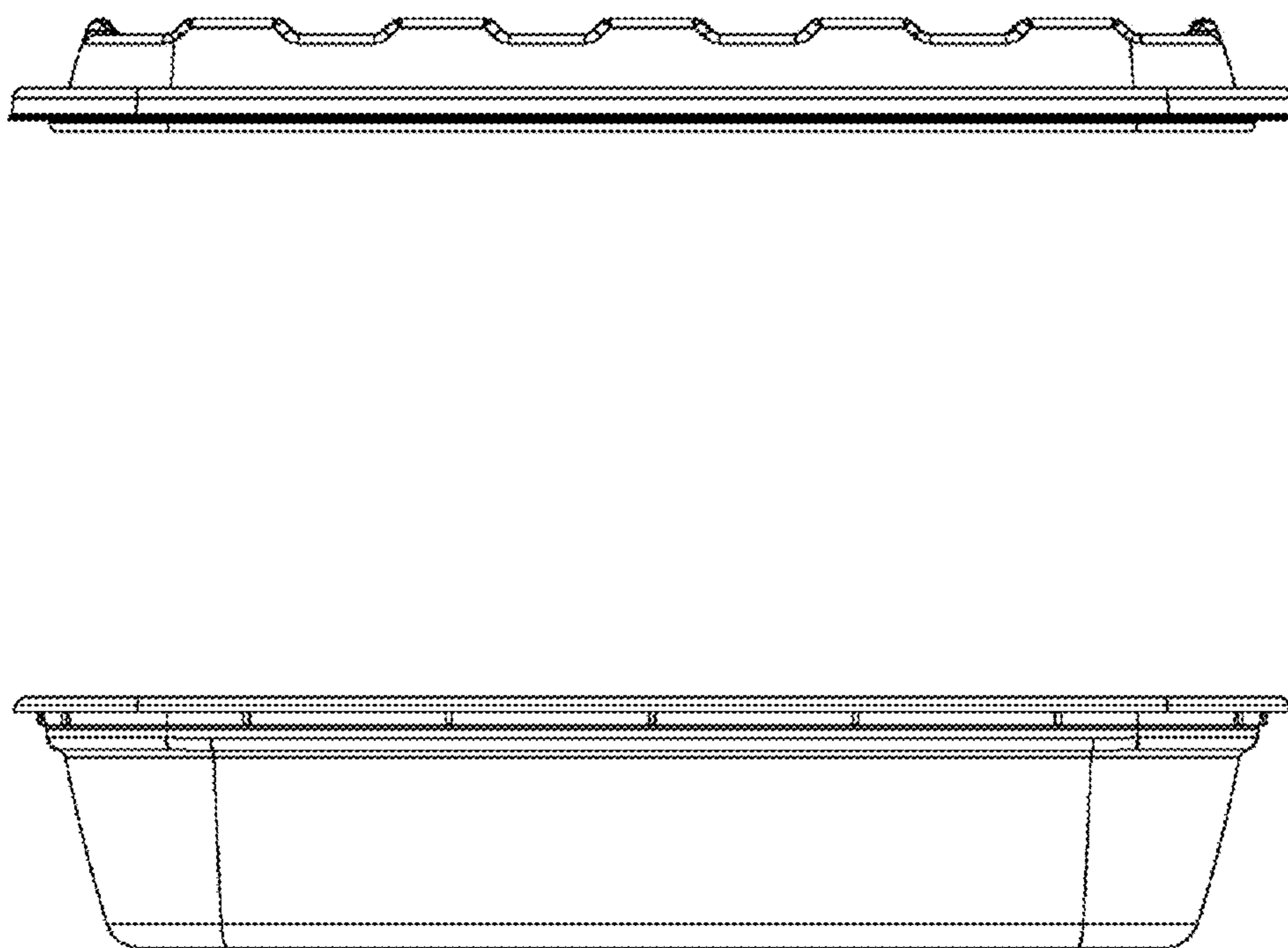


Fig. 5

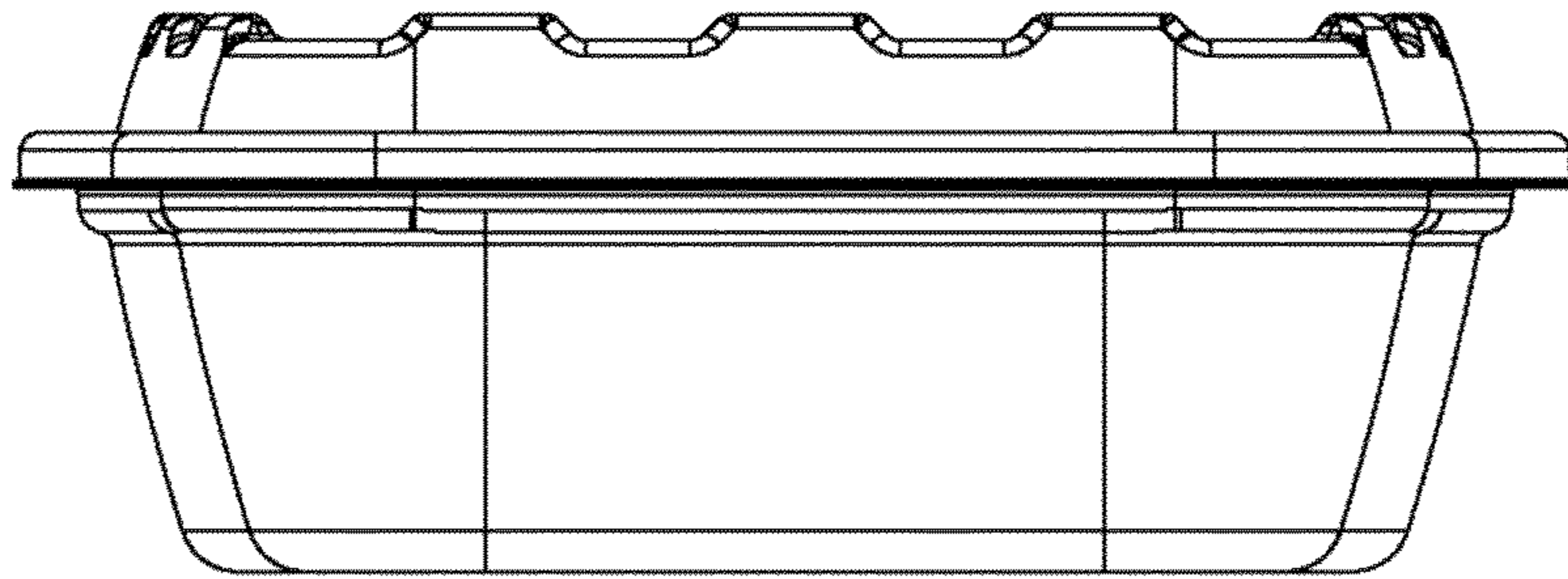


Fig. 6

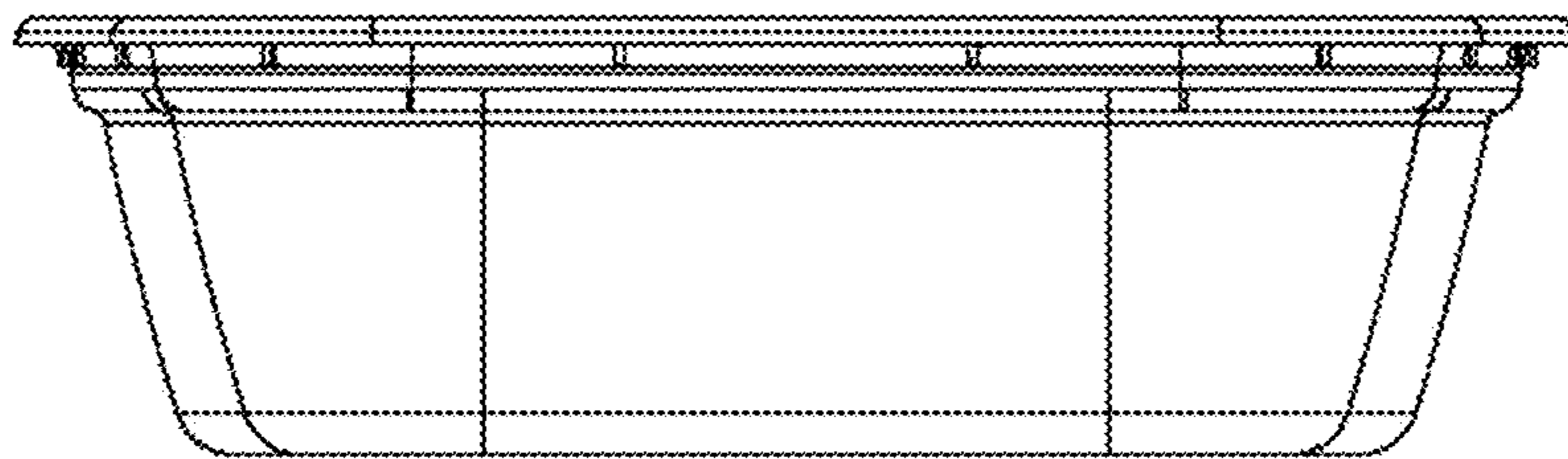


Fig. 7

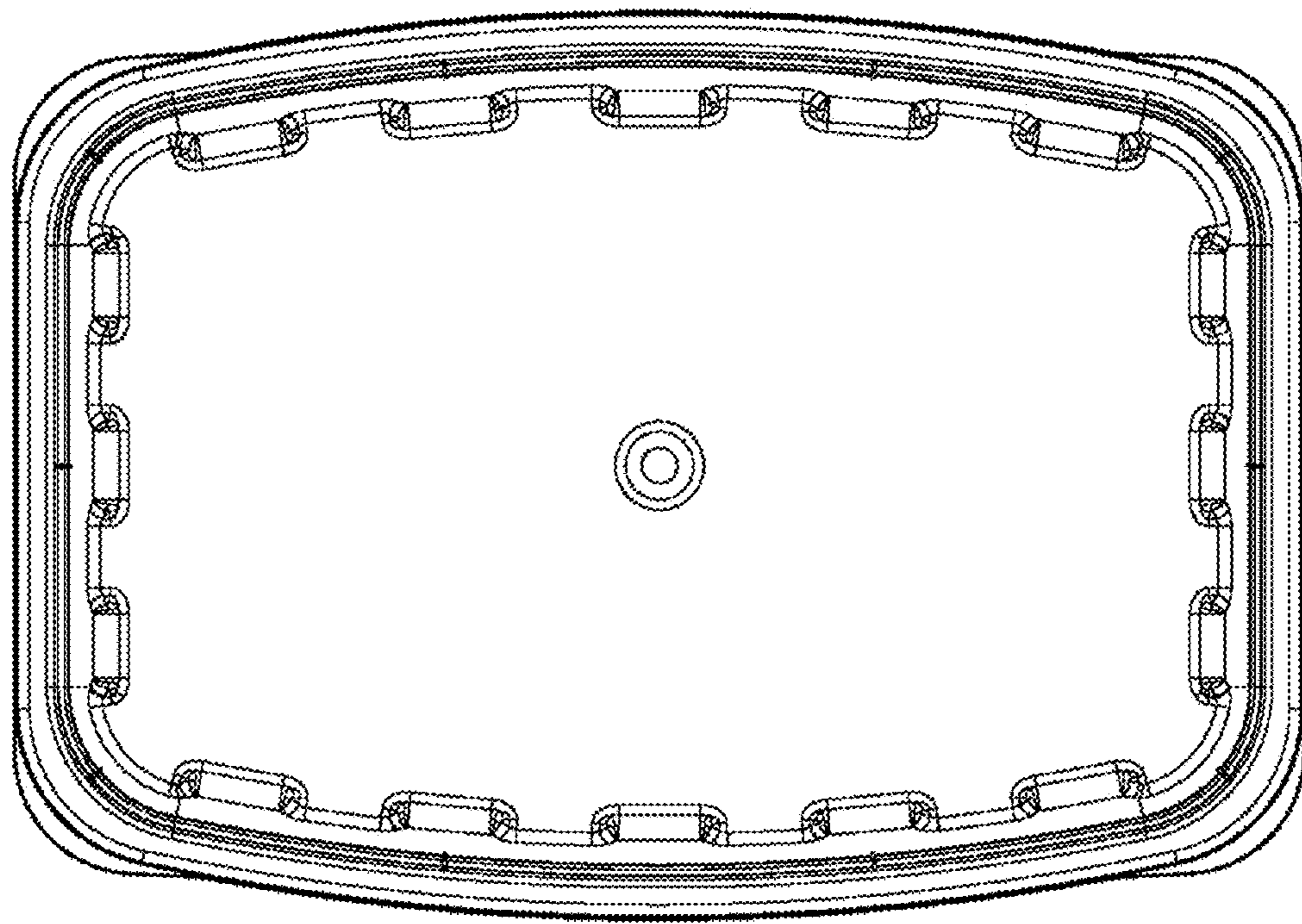


Fig. 8

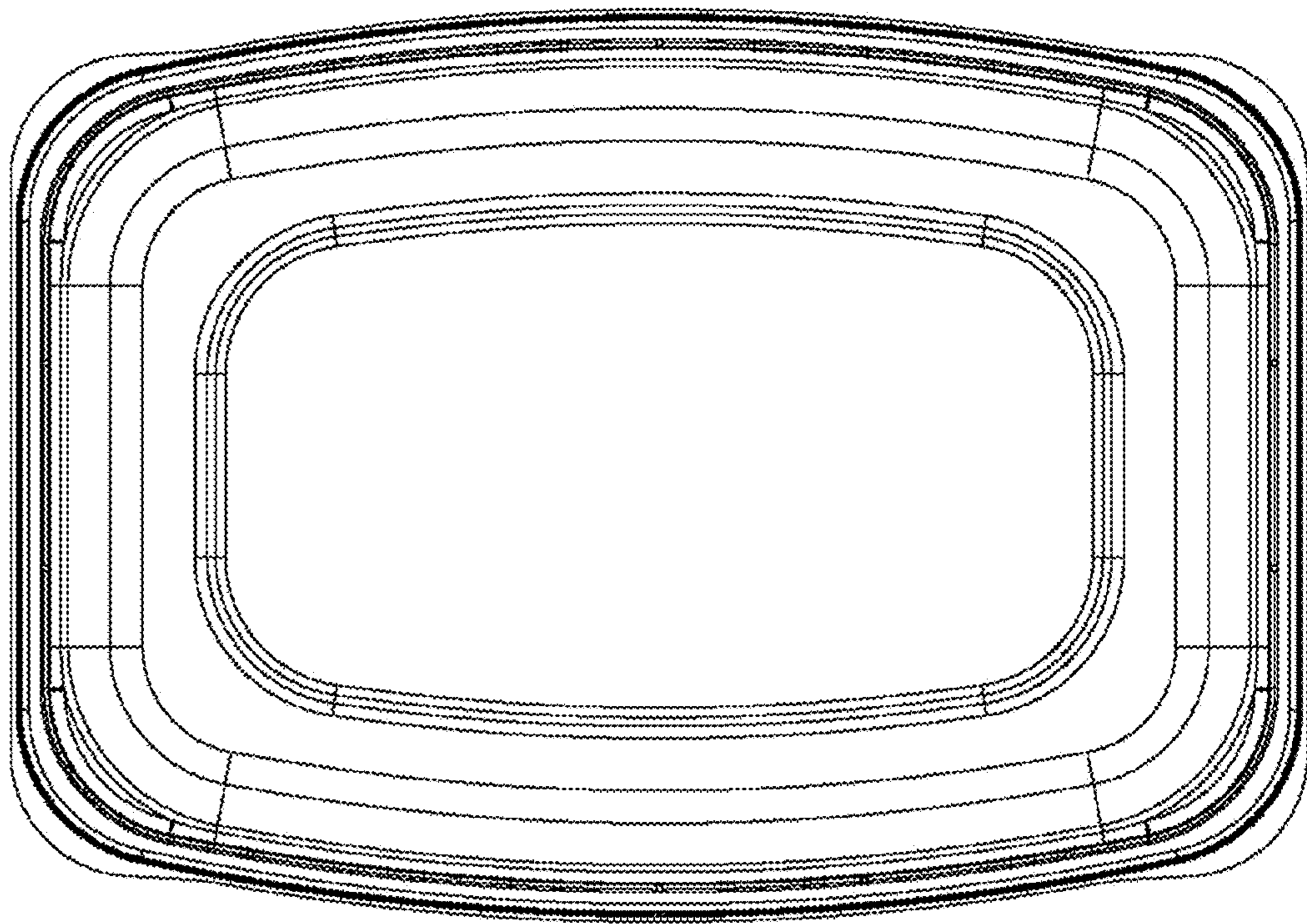


Fig. 9

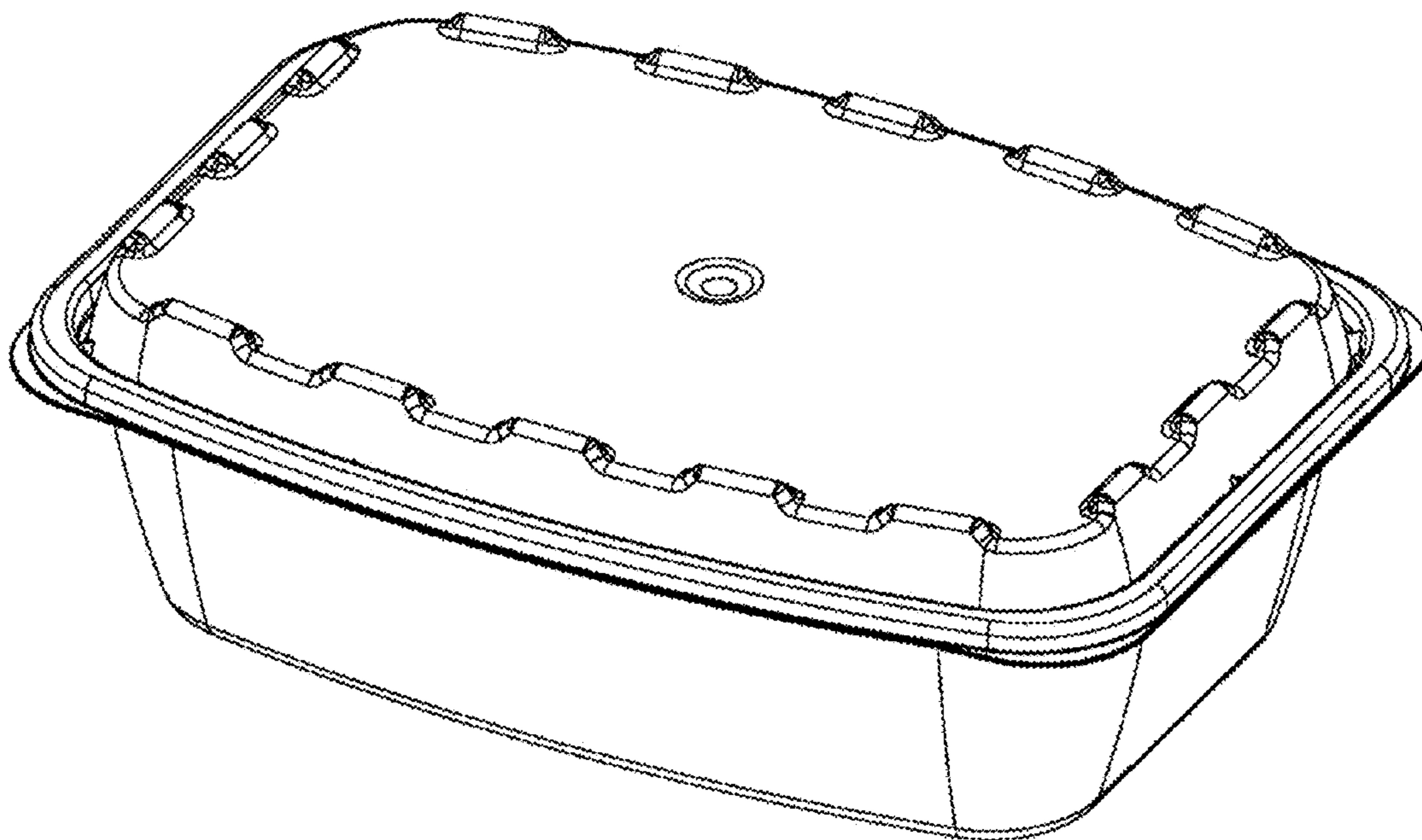


Fig. 10



Fig. 11

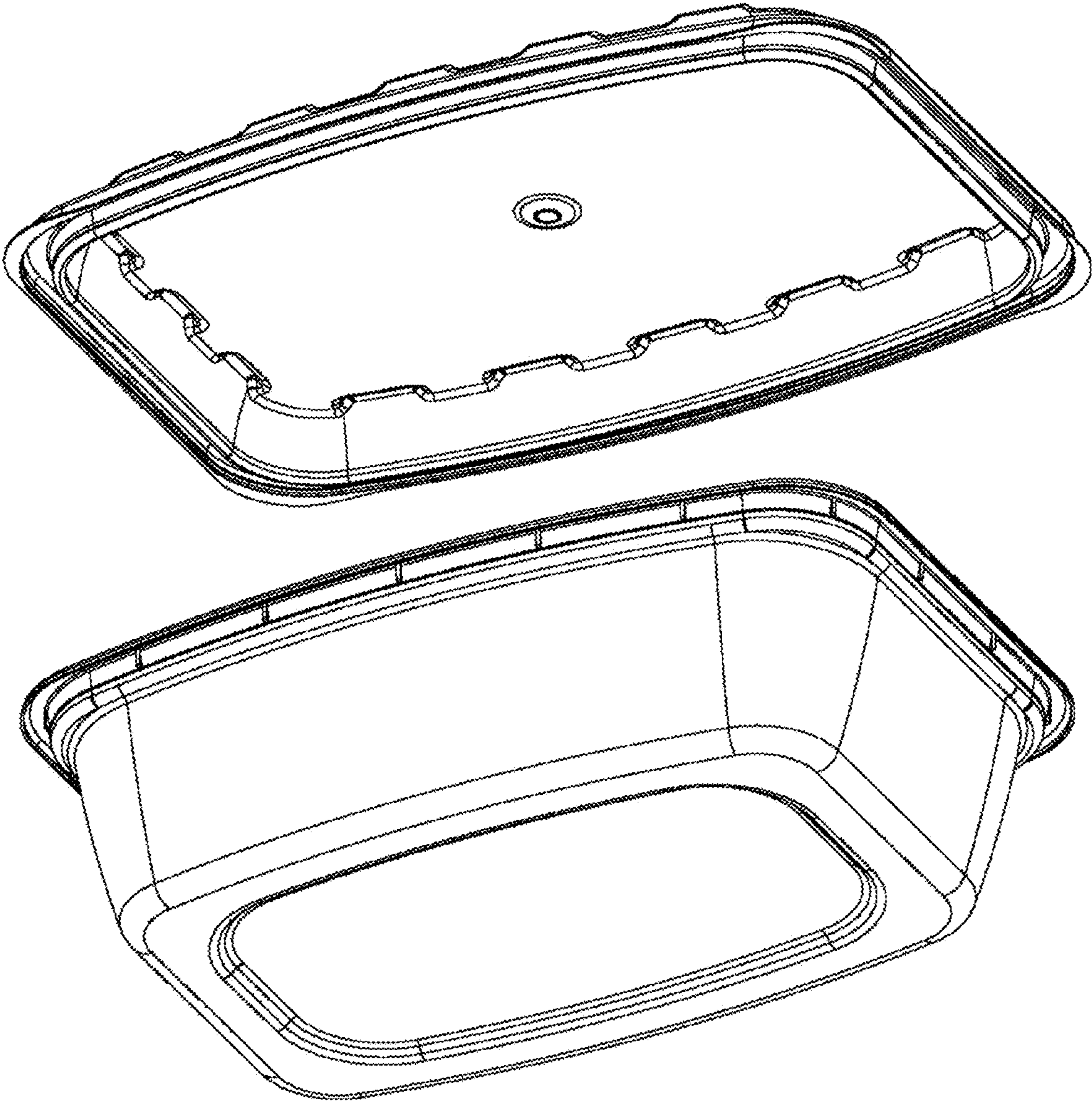


Fig. 12

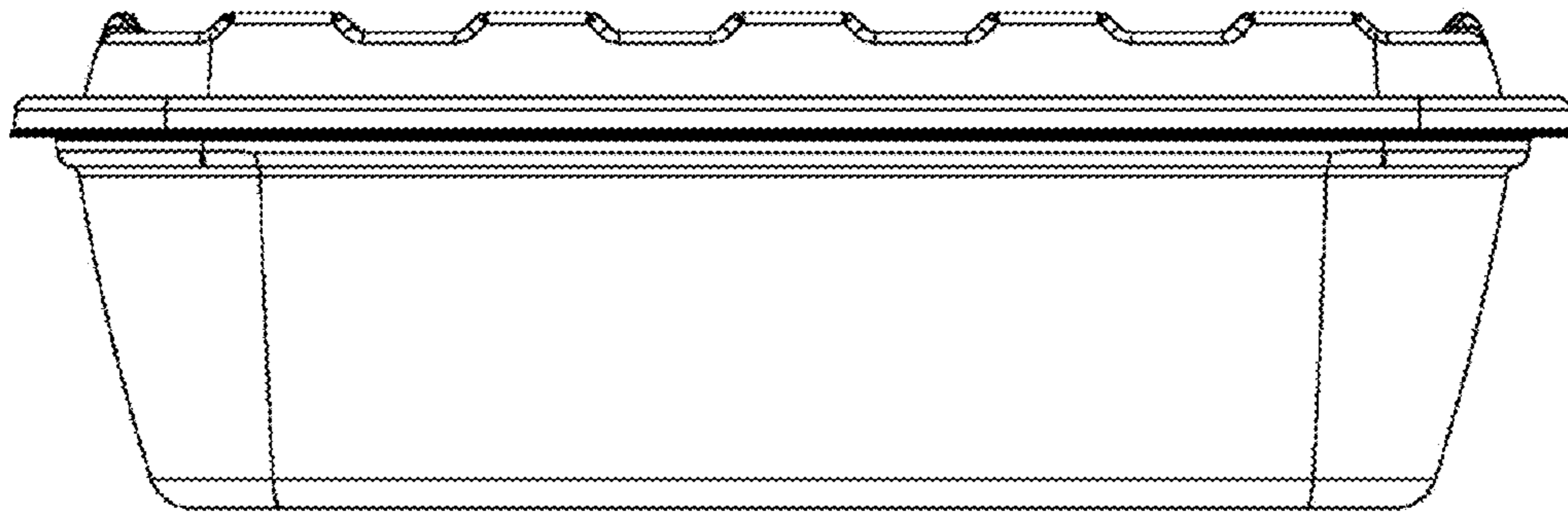


Fig. 13

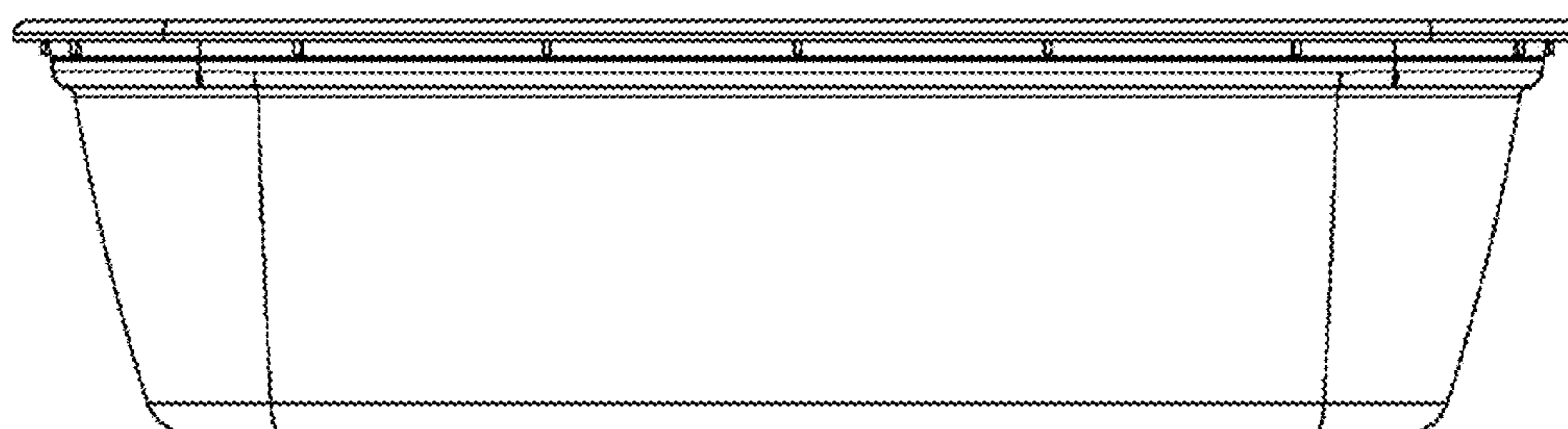
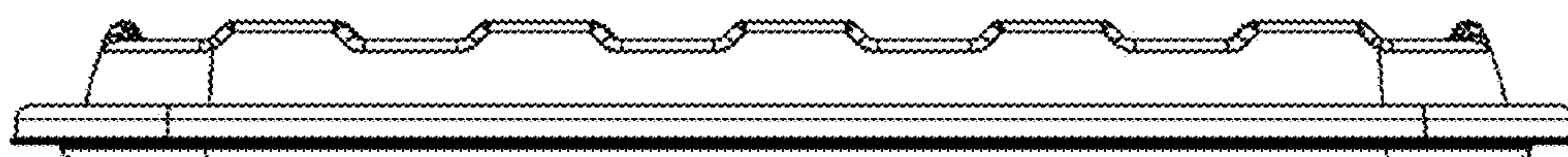


Fig. 14

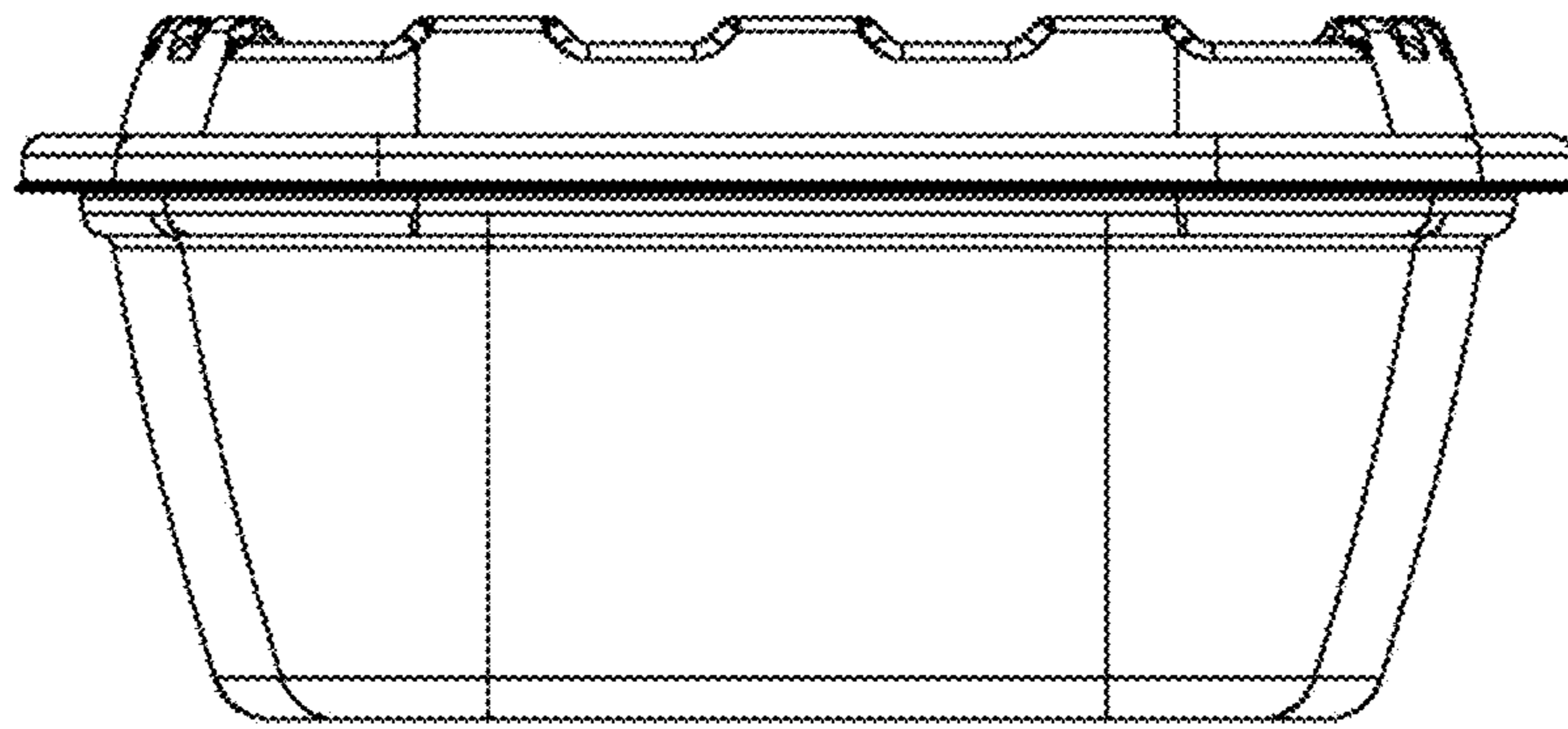


Fig. 15

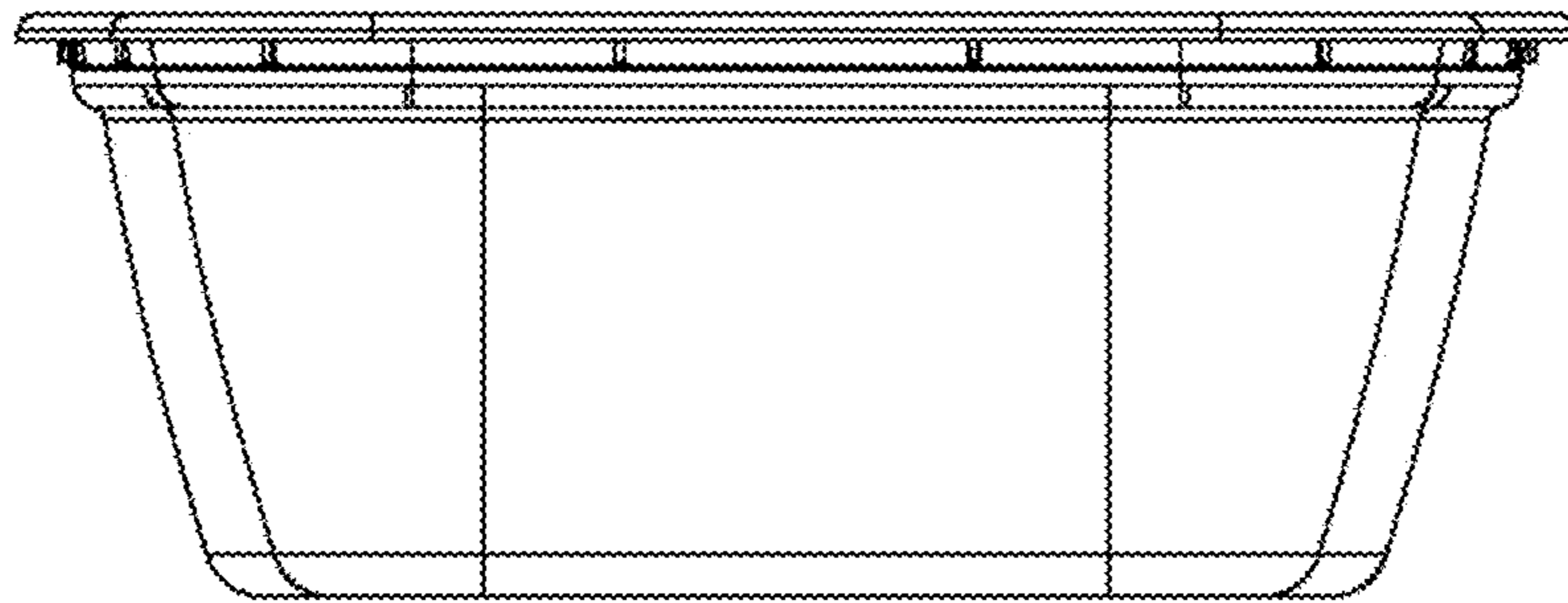


Fig. 16

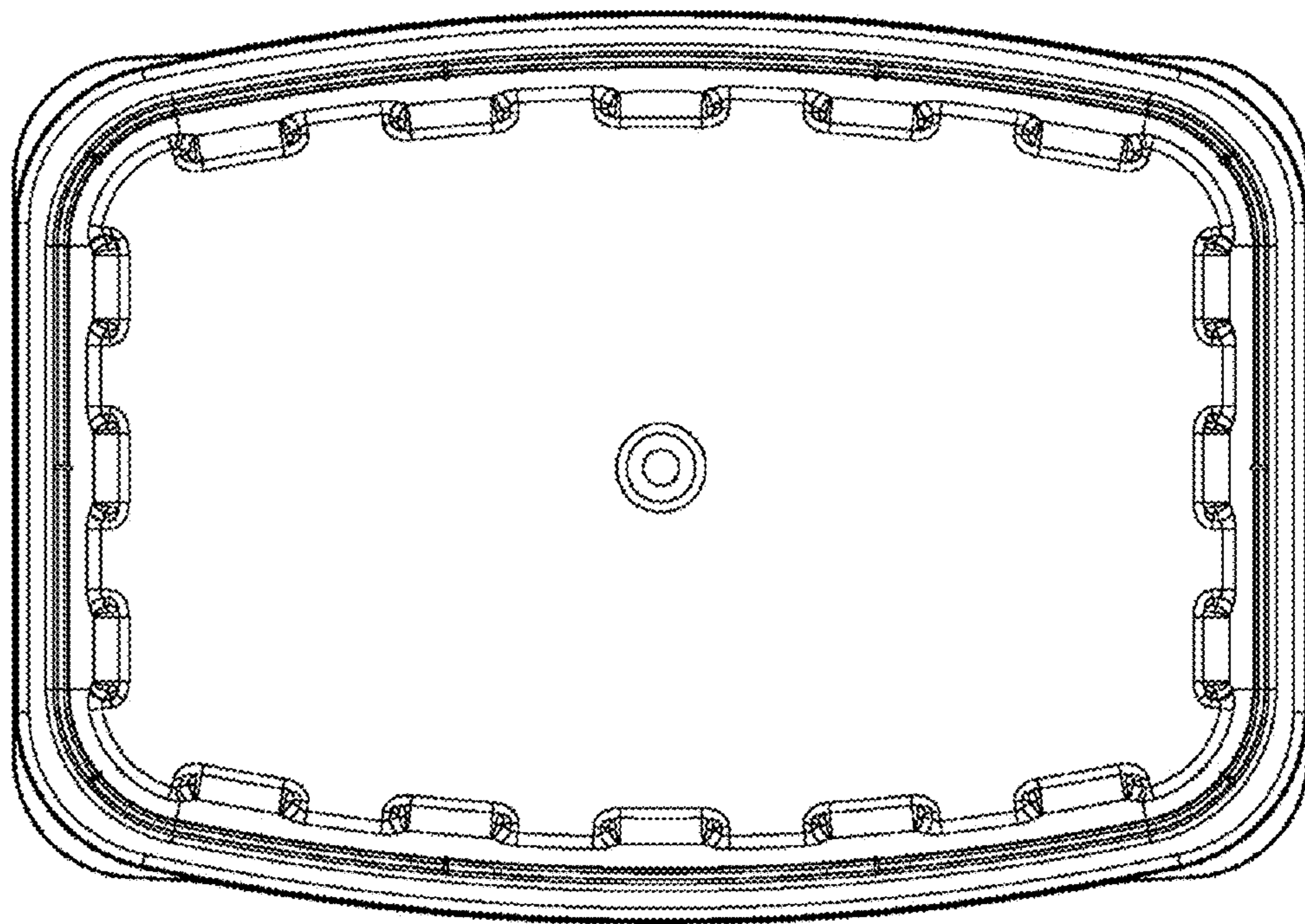


Fig. 17

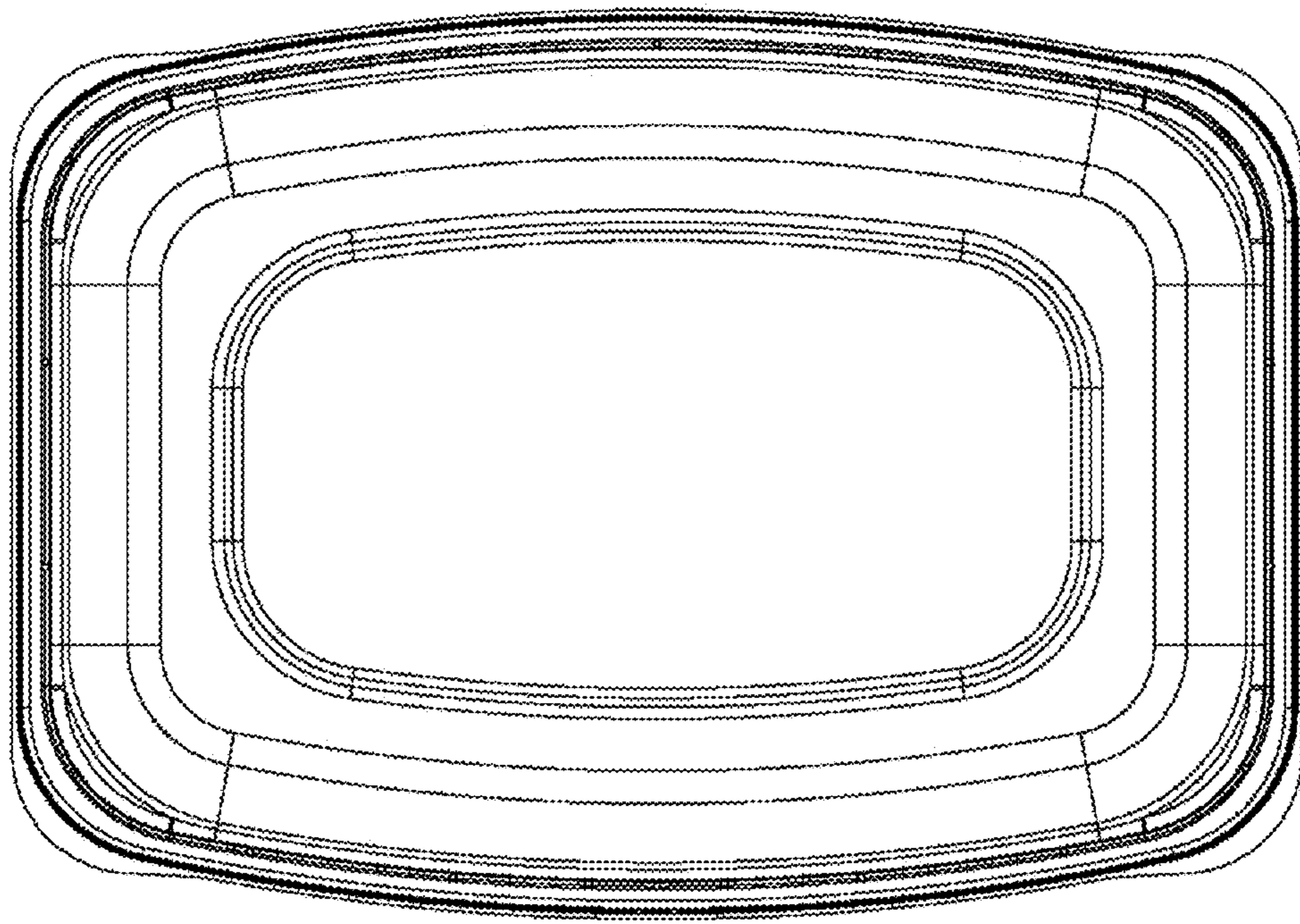


Fig. 18