



US00D702510S

(12) **United States Design Patent**
Segal

(10) **Patent No.:** **US D702,510 S**
(45) **Date of Patent:** **** Apr. 15, 2014**

(54) **FOOD CONTAINER**

- (71) Applicant: **Alexander Segal**, Richmond Hill (CA)
- (72) Inventor: **Alexander Segal**, Richmond Hill (CA)
- (**) Term: **14 Years**
- (21) Appl. No.: **29/456,659**
- (22) Filed: **Jun. 2, 2013**
- (51) **LOC (10) Cl.** **07-07**
- (52) **U.S. Cl.**
USPC **D7/629**
- (58) **Field of Classification Search**
USPC D7/628, 629, 602, 538–542; D3/201,
D3/203.1–203.8, 204–206, 273, 274;
D9/424–432; 220/780–802, 675,
220/574–575, 573.1, 326, 236
See application file for complete search history.

(56) **References Cited**

U.S. PATENT DOCUMENTS

D248,216 S *	6/1978	Allen et al.	D9/778
D351,090 S	10/1994	Narsutis		
D439,159 S	3/2001	Chen		
D440,470 S	4/2001	Tucker et al.		
D469,689 S	2/2003	Buchalski et al.		
D483,622 S	12/2003	Kim		
D506,106 S *	6/2005	Ordiway et al.	D7/629
D537,300 S *	2/2007	Kim	D7/629
D541,598 S	5/2007	Kim		
D546,140 S *	7/2007	Anzalone	D7/672
D568,693 S	5/2008	Furlong		
D591,112 S	4/2009	Wang		
D606,368 S *	12/2009	Wu	D7/629
D606,812 S	12/2009	Wu		

(Continued)

OTHER PUBLICATIONS

Advertisement, www.cubeplastics.com, Oct. 2007.

Primary Examiner — Terry Wallace
(74) *Attorney, Agent, or Firm* — Alex Porat

(57) **CLAIM**

The ornamental design for a food container, as shown and described.

DESCRIPTION

FIG. 1 is a top perspective view showing my new design for a food container, including a base and a lid.

FIG. 2 is a top perspective view of the food container shown in FIG. 1, with the lid separated from the base.

FIG. 3 is bottom perspective view of the food container shown in FIG. 1, with the lid separated from the base.

FIG. 4 is a side view of the food container shown in FIG. 1.

FIG. 5 is a side view of the food container shown in FIG. 1, with the lid separated from the base.

FIG. 6 is a top view of the food container shown in FIG. 1.

FIG. 7 is a bottom view of the food container shown in FIG. 1.

FIG. 8 is a top perspective view of an alternate size embodiment of my new design for a food container, including a base and a lid.

FIG. 9 is a top perspective view of the food container shown in FIG. 8, with the lid separated from the base.

FIG. 10 is a bottom perspective view of the food container shown in FIG. 8, with the lid separated from the base.

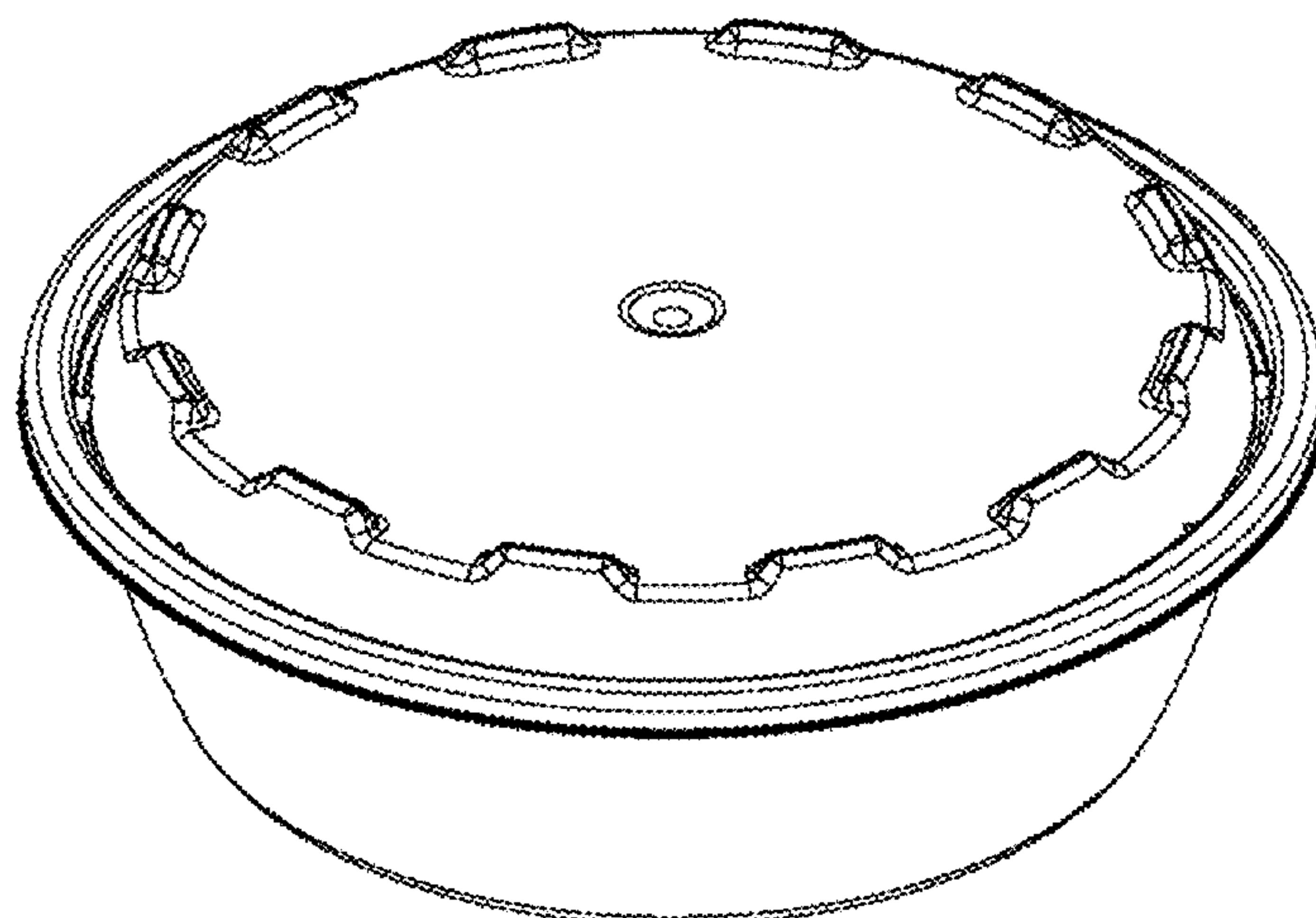
FIG. 11 is a side view of the food container shown in FIG. 8.

FIG. 12 is a side view of the food container shown in FIG. 8, with the lid separated from the base.

FIG. 13 is a top view of the food container shown in FIG. 8; and,

FIG. 14 is a bottom view of the food container shown in FIG. 8.

1 Claim, 14 Drawing Sheets



(56)

References Cited

U.S. PATENT DOCUMENTS

D610,878 S 3/2010 Kim
D614,950 S 5/2010 Colacitti
D621,667 S * 8/2010 Ablo D7/629
D634,986 S * 3/2011 Smyers D7/629

D649,409 S 11/2011 Segal
D649,410 S 11/2011 Segal
D656,367 S 3/2012 Segal
D656,368 S 3/2012 Segal
2010/0038274 A1 2/2010 Segal
2012/0103991 A1 5/2012 Segal

* cited by examiner

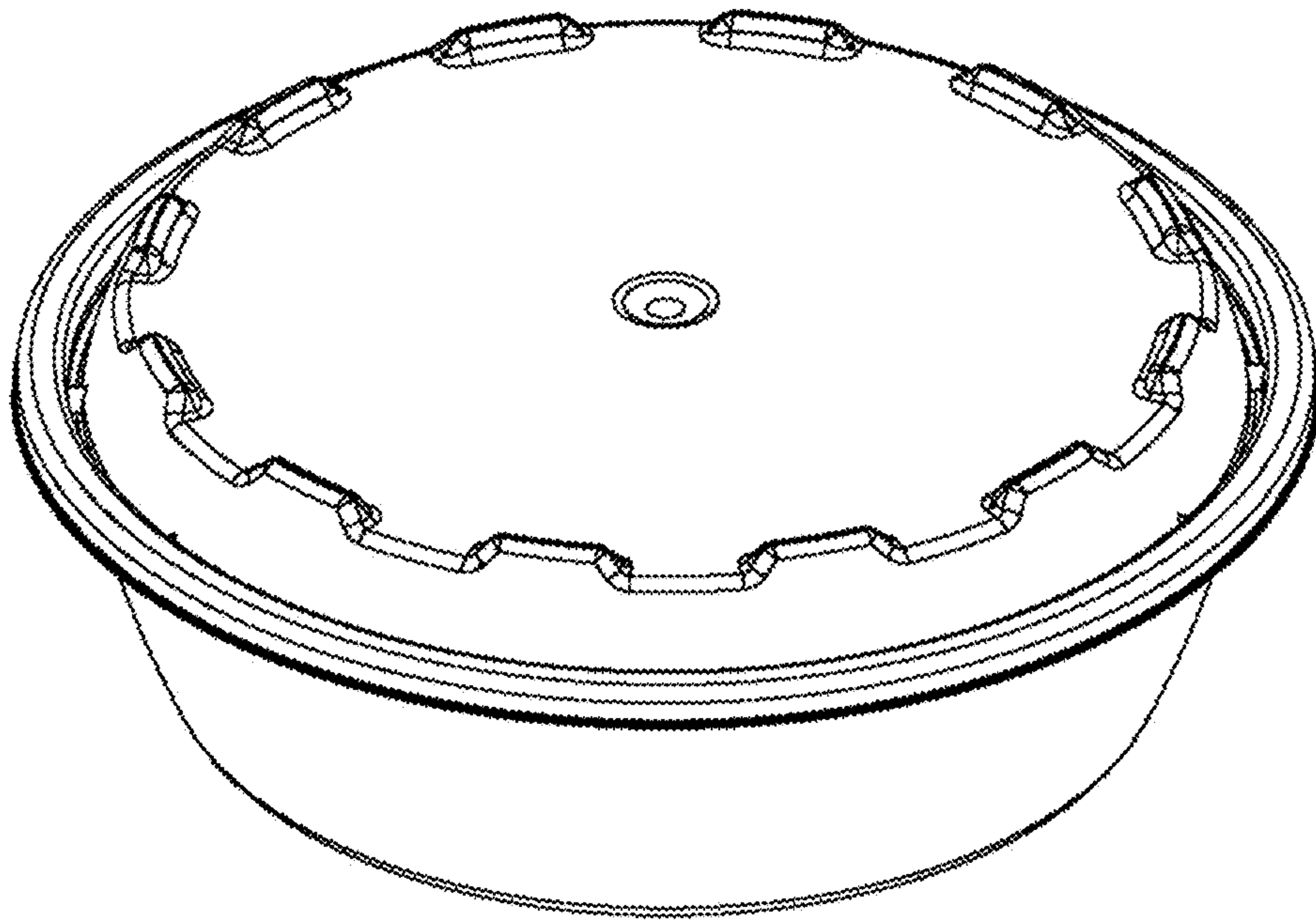


Fig. 1

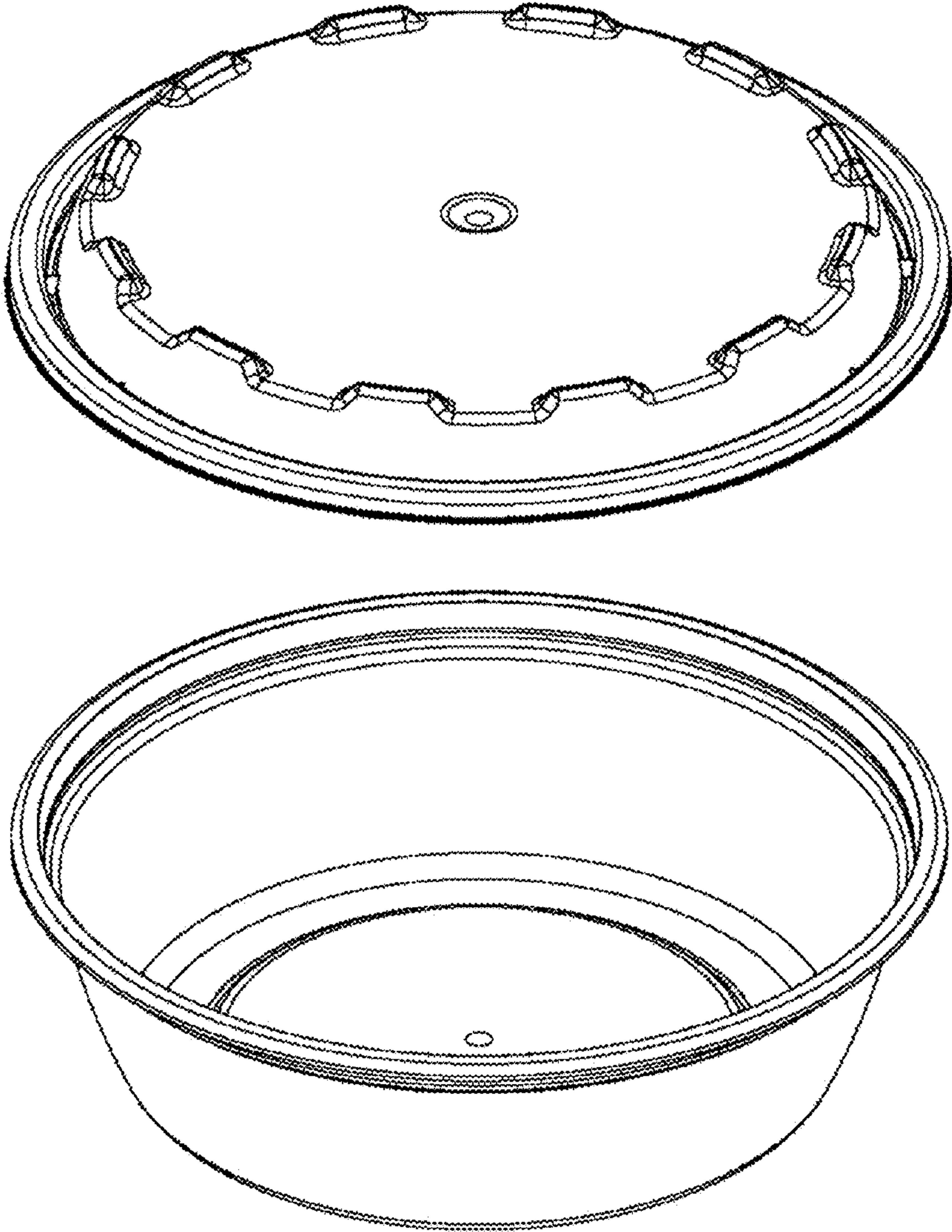


Fig. 2

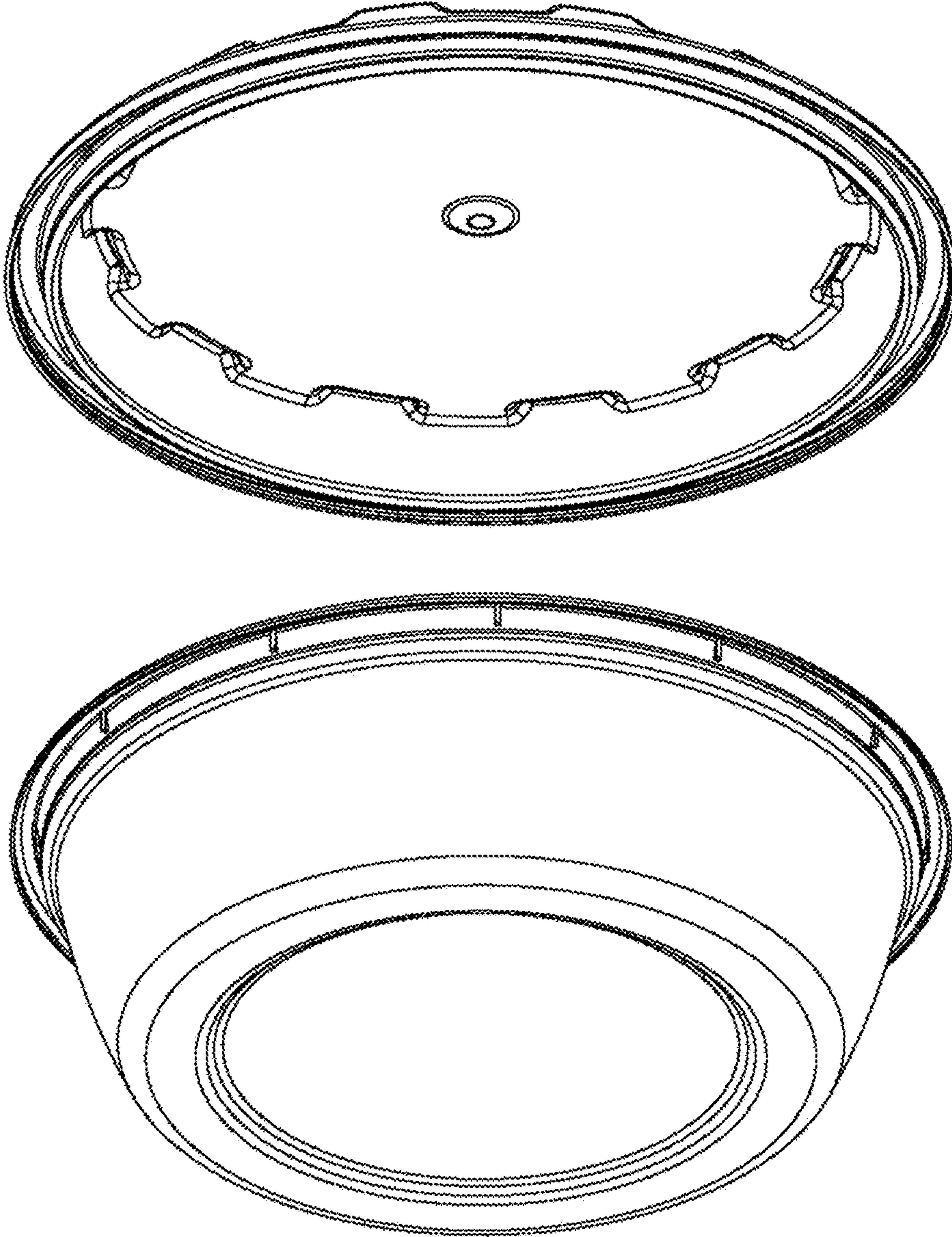


Fig. 3

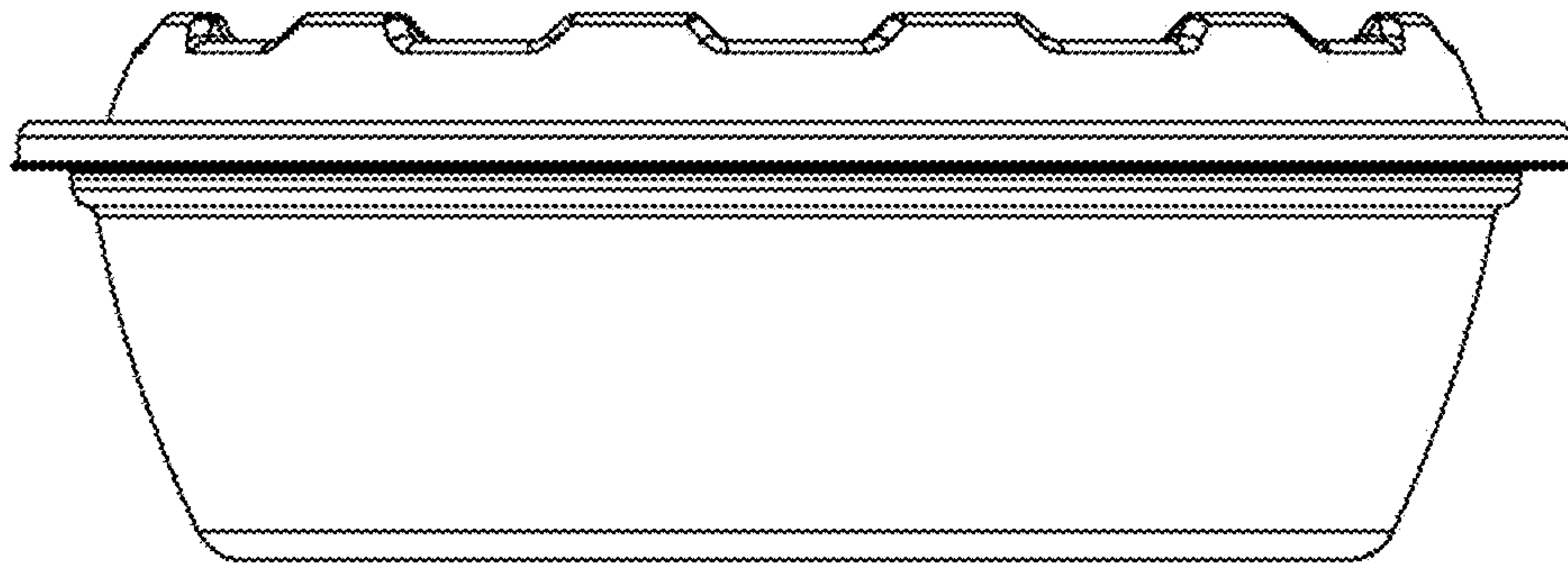


Fig. 4

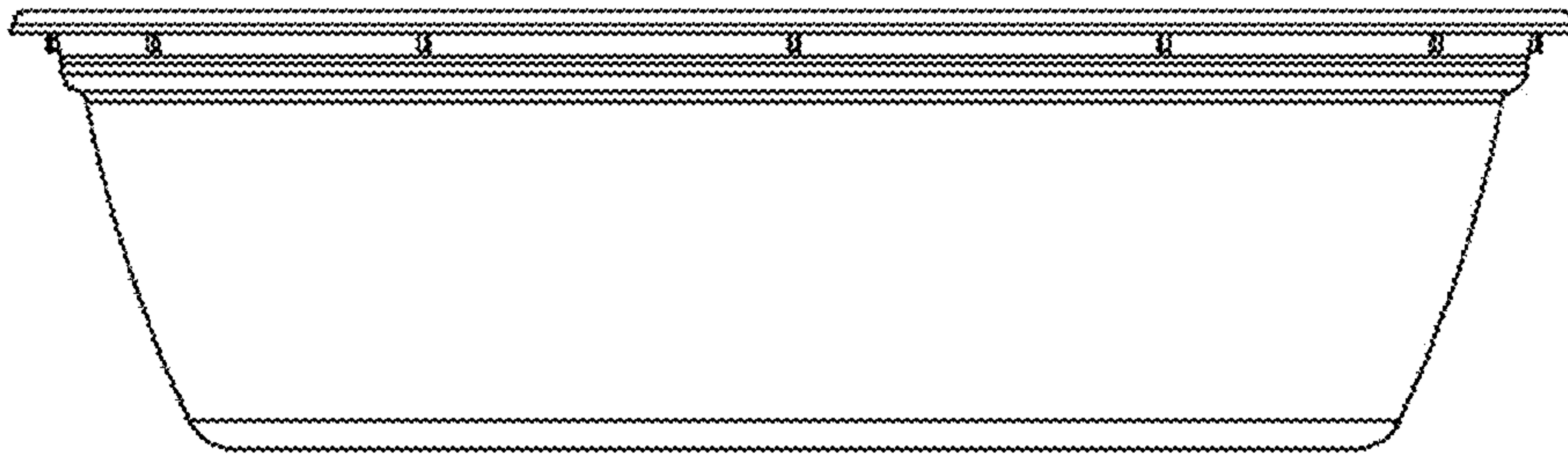
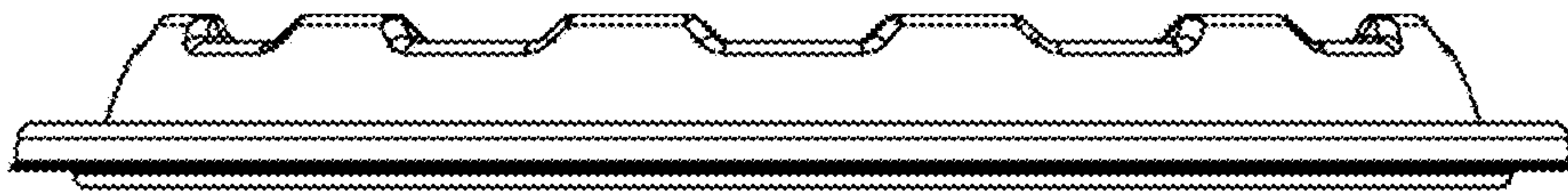


Fig. 5

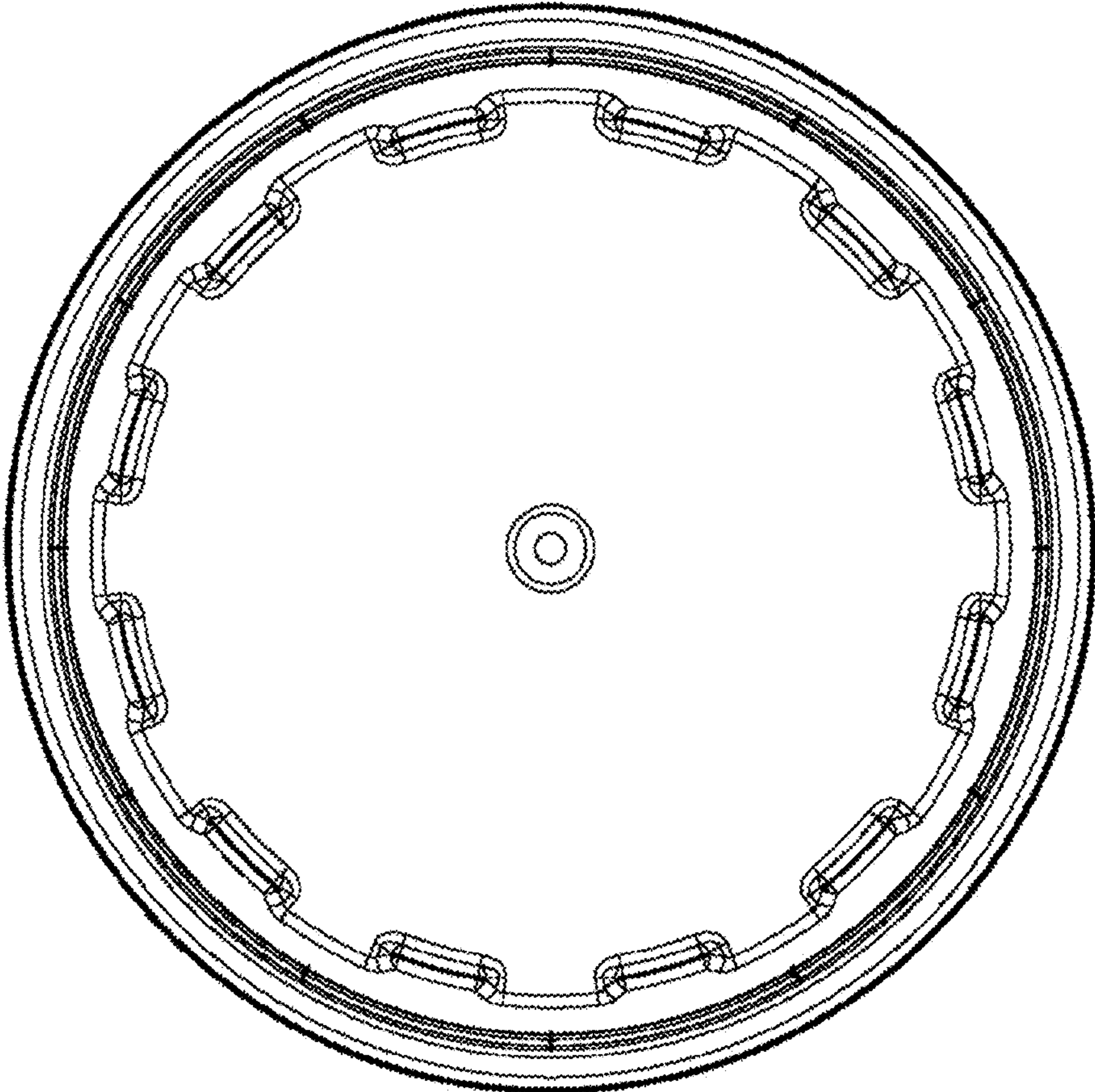


Fig. 6

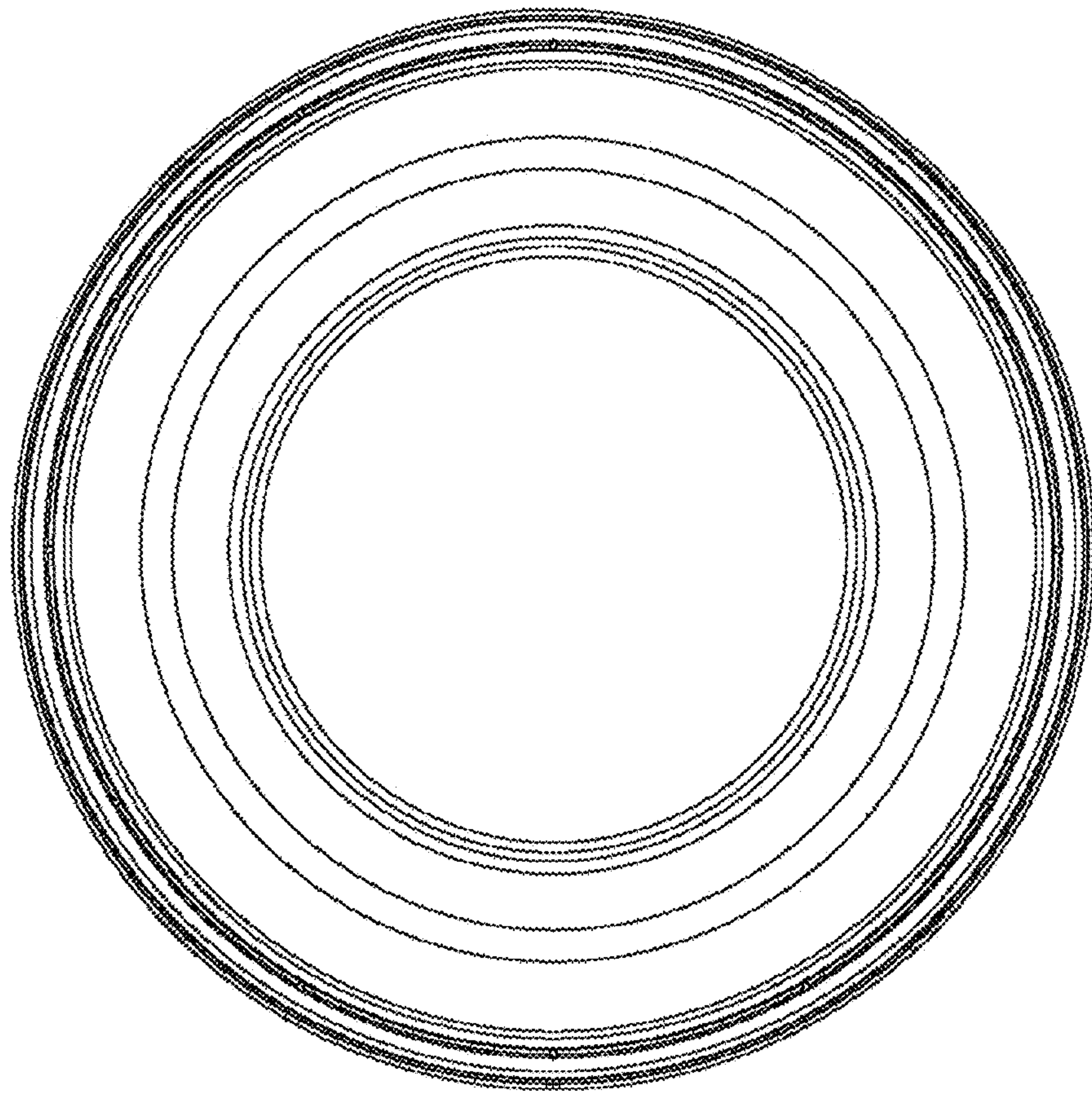


Fig. 7

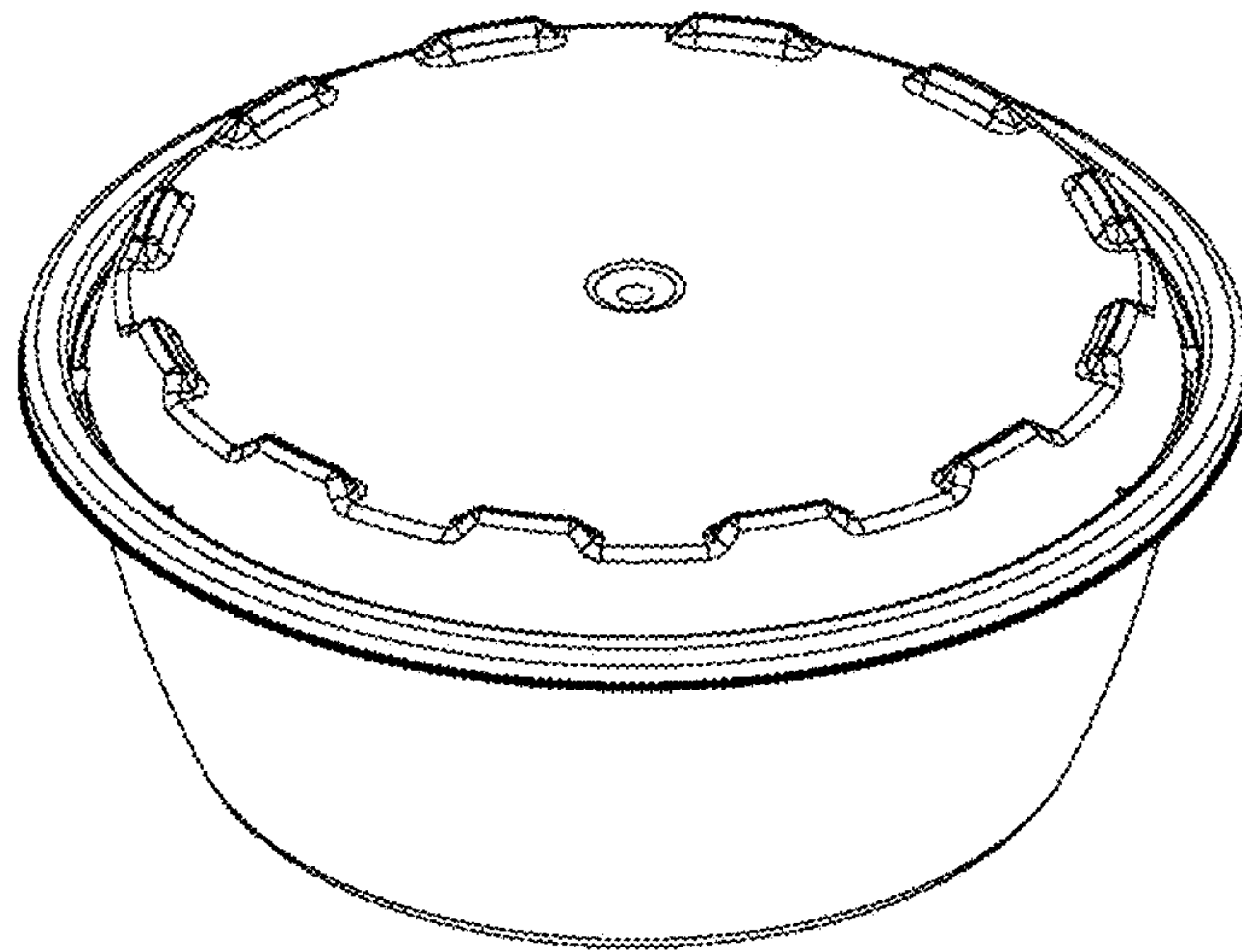


Fig. 8

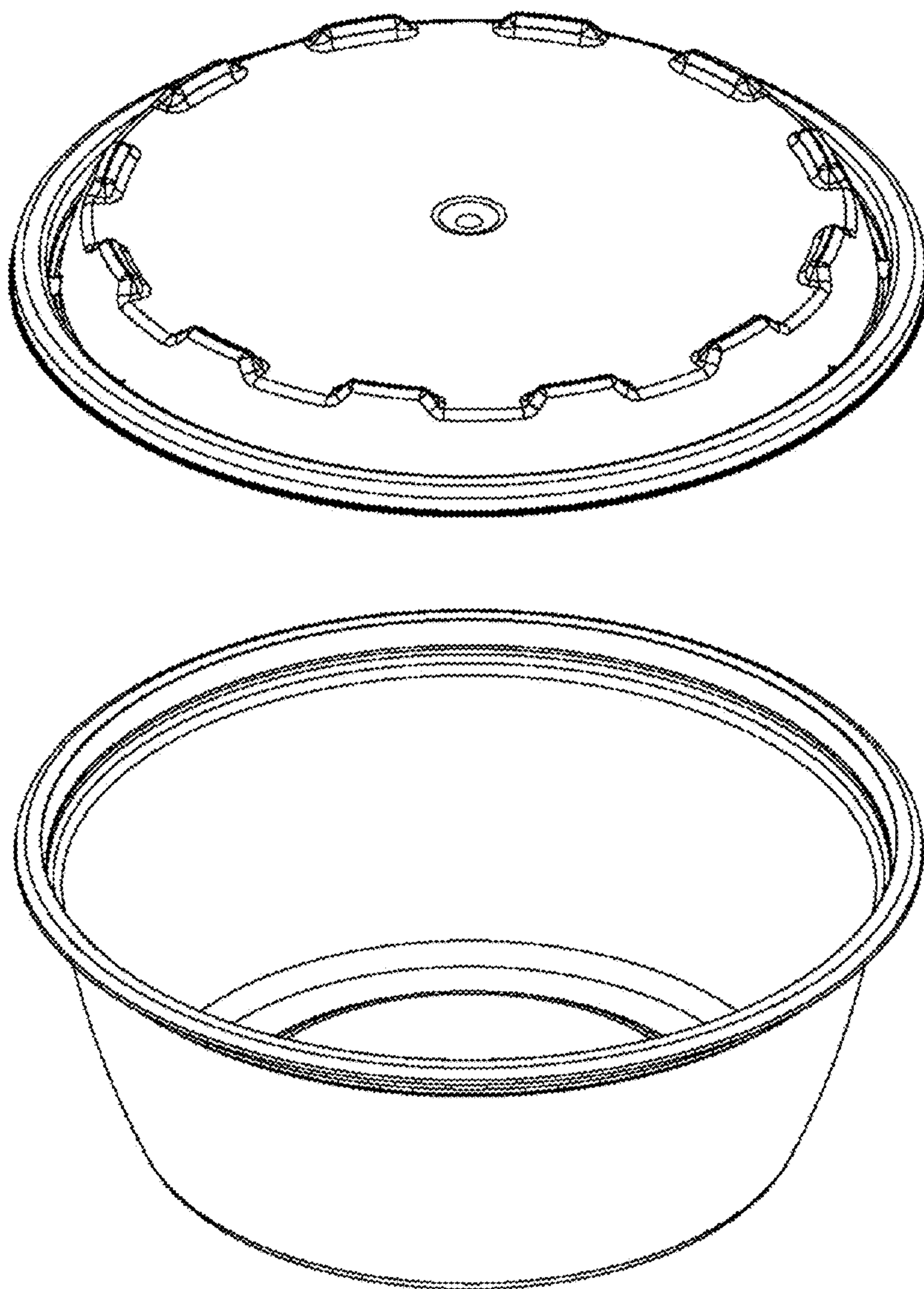


Fig. 9

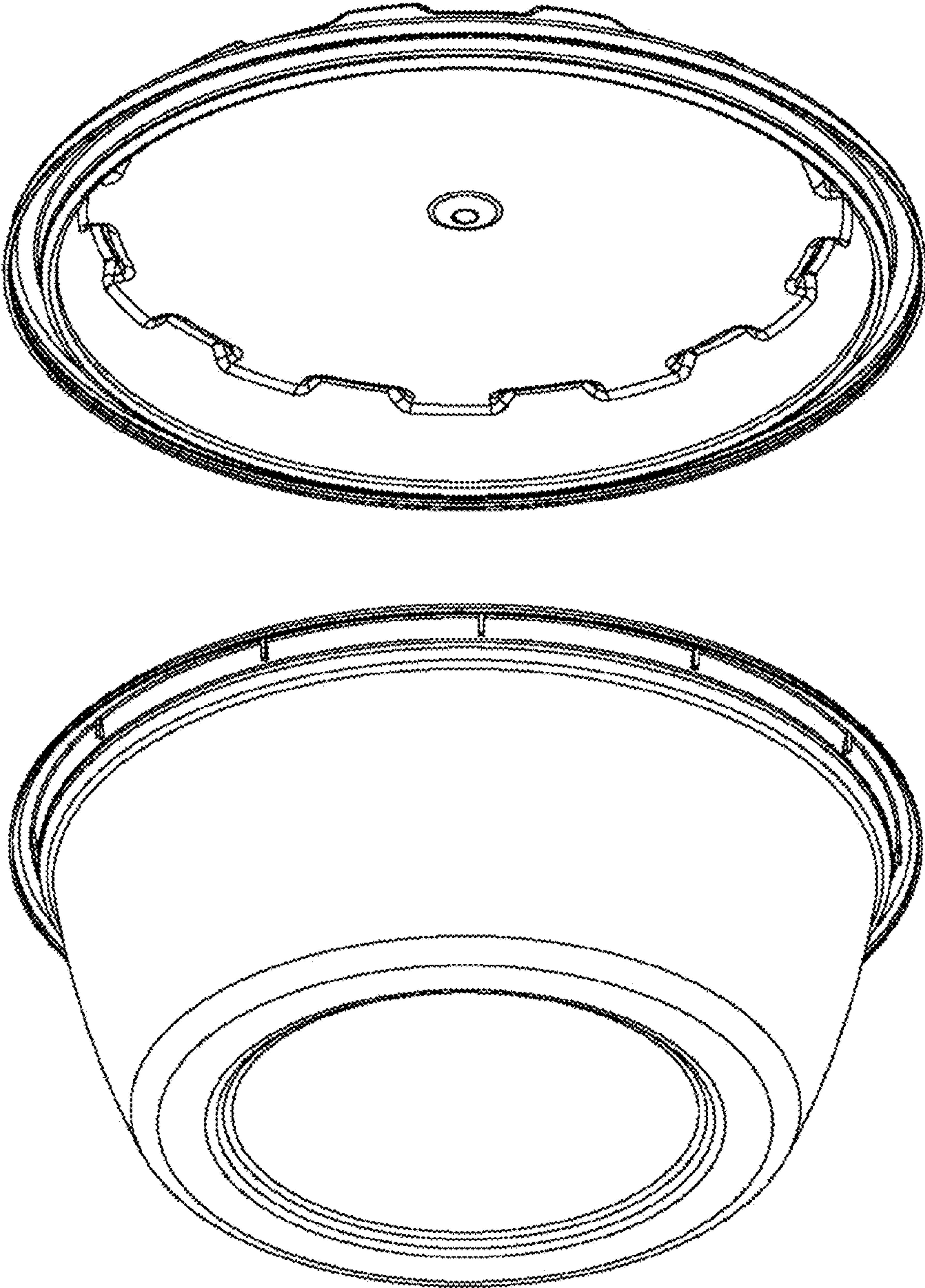


Fig. 10

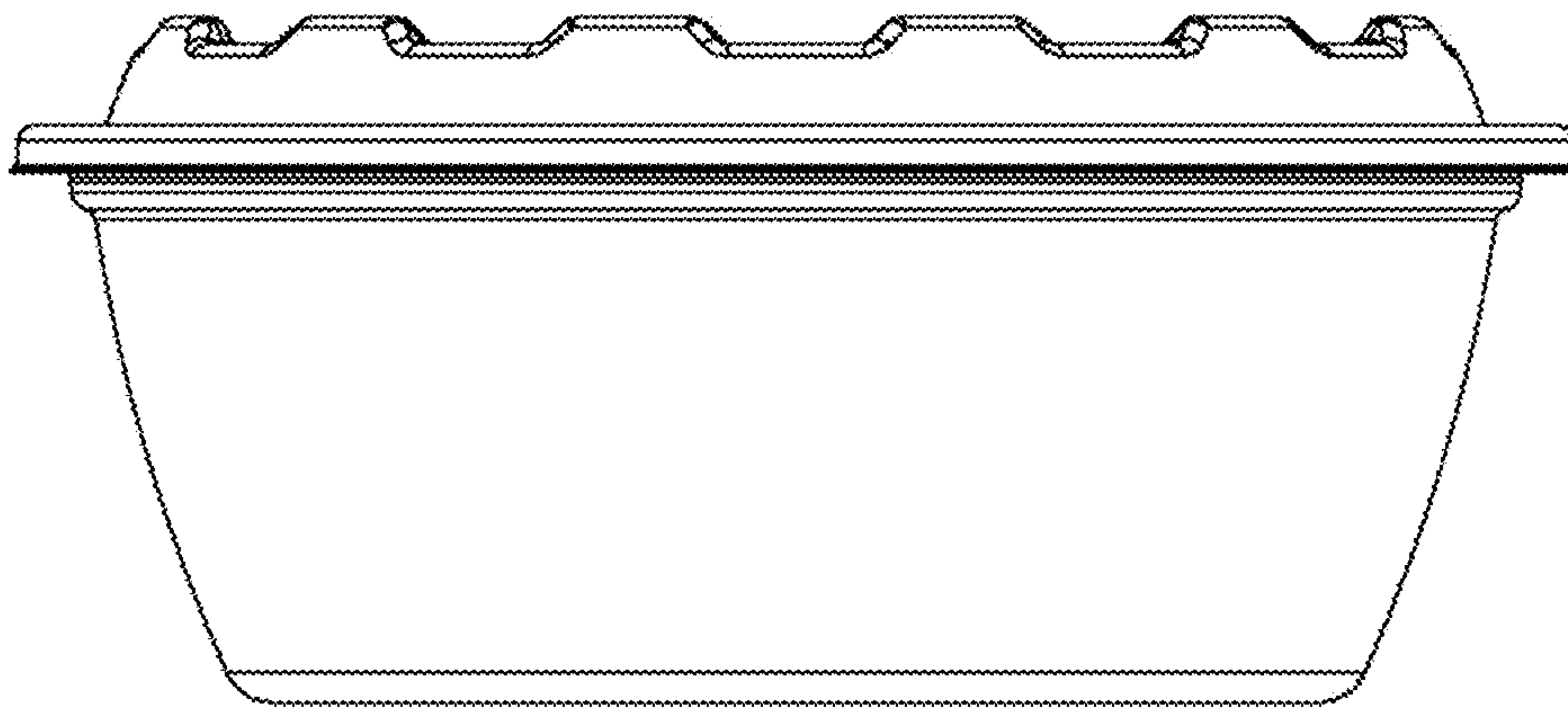


Fig. 11

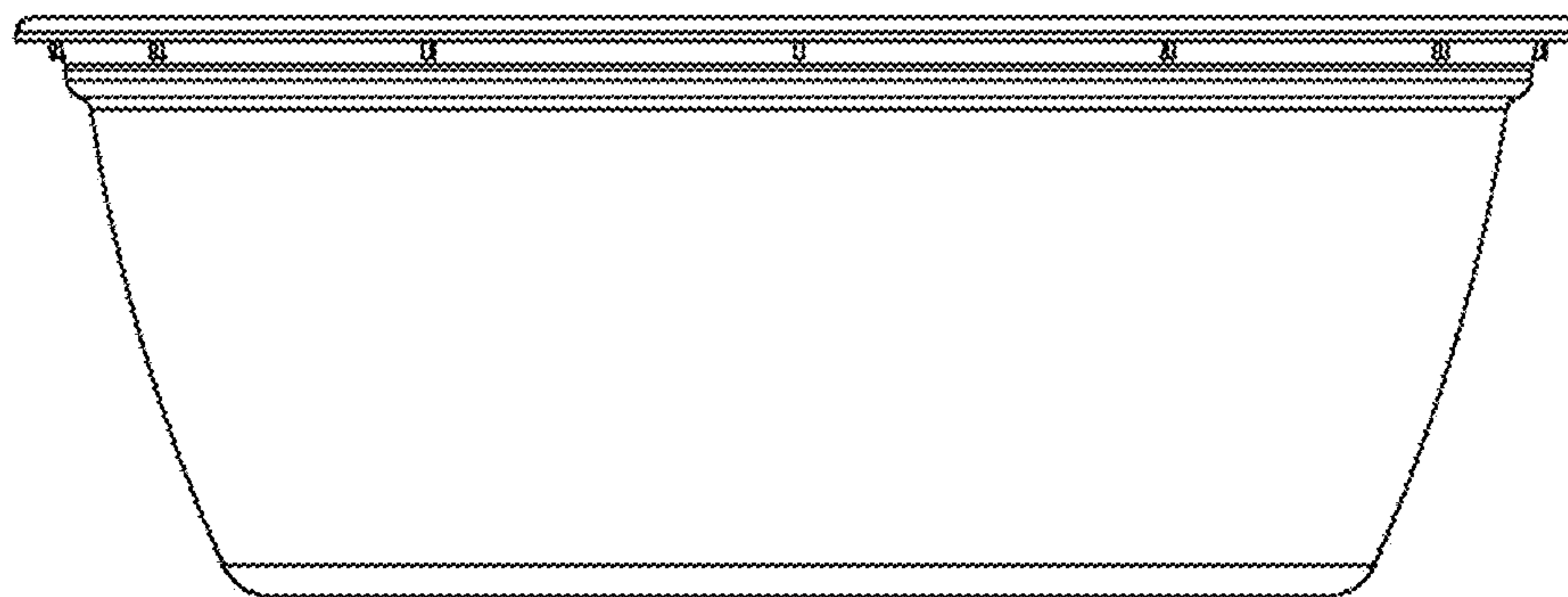


Fig. 12

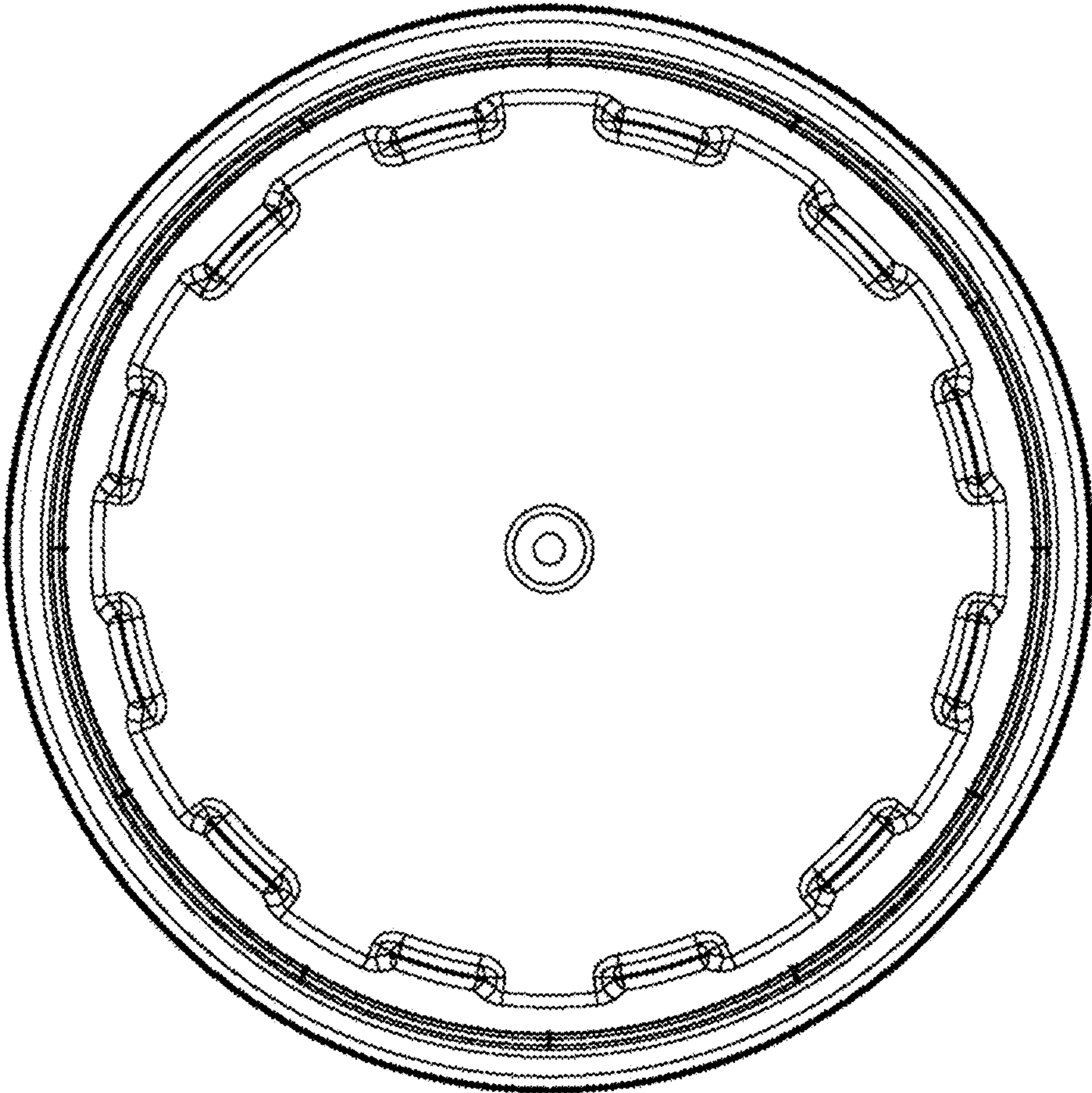


Fig. 13

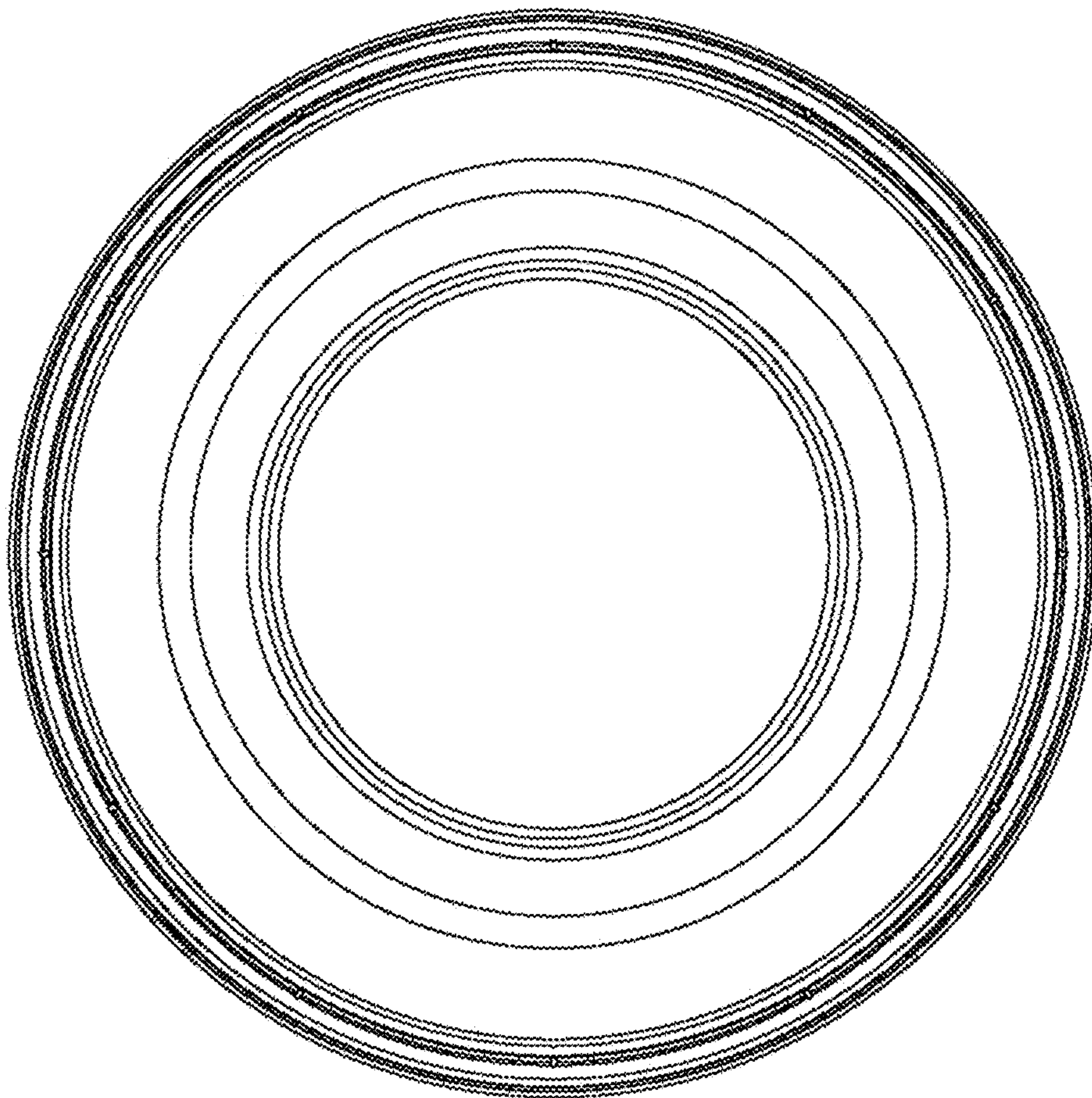


Fig. 14