

US00D702509S

(12) **United States Design Patent**
Segal

(10) **Patent No.:** **US D702,509 S**
(45) **Date of Patent:** **** Apr. 15, 2014**

(54) **FOOD CONTAINER**

(71) Applicant: **Alexander Segal**, Richmond Hill (CA)

(72) Inventor: **Alexander Segal**, Richmond Hill (CA)

(**) Term: **14 Years**

(21) Appl. No.: **29/456,658**

(22) Filed: **Jun. 2, 2013**

(51) **LOC (10) Cl.** **07-07**

(52) **U.S. Cl.**
USPC **D7/629**

(58) **Field of Classification Search**
USPC D7/602, 629, 630, 538-542; D3/201,
D3/203.1-203.8, 204-206, 273, 274;
D9/424-432; 220/780-802, 675,
220/574-575, 573.1, 326, 236
See application file for complete search history.

(56) **References Cited**

U.S. PATENT DOCUMENTS

| | | | | |
|-----------|-----|---------|------------------|---------|
| 2,606,586 | A * | 8/1952 | Hill | 220/802 |
| D235,621 | S * | 7/1975 | Cawrse | D9/425 |
| D248,216 | S * | 6/1978 | Allen et al. | D9/778 |
| 4,787,527 | A * | 11/1988 | Monetti | 220/557 |
| D351,090 | S | 10/1994 | Narsutis | |
| D354,435 | S * | 1/1995 | Krupa | D9/423 |
| D416,797 | S * | 11/1999 | Rabe et al. | D9/431 |
| D439,159 | S | 3/2001 | Chen | |
| D440,470 | S | 4/2001 | Tucker et al. | |
| D469,689 | S | 2/2003 | Buchalski et al. | |
| D483,622 | S | 12/2003 | Kim | |
| D493,073 | S * | 7/2004 | Kim | D7/629 |
| D506,106 | S * | 6/2005 | Ordiway et al. | D7/629 |
| D537,300 | S * | 2/2007 | Kim | D7/629 |
| D541,598 | S | 5/2007 | Kim | |
| D546,140 | S * | 7/2007 | Anzalone | D7/672 |
| D562,083 | S * | 2/2008 | Lown et al. | D7/629 |
| D562,128 | S * | 2/2008 | van de Velde | D9/420 |
| D568,693 | S | 5/2008 | Furlong | |

| | | | | |
|--------------|------|---------|-----------|---------|
| D591,112 | S | 4/2009 | Wang | |
| D606,368 | S * | 12/2009 | Wu | D7/629 |
| D606,812 | S | 12/2009 | Wu | |
| D610,878 | S | 3/2010 | Kim | |
| D614,949 | S * | 5/2010 | Schmidt | D9/424 |
| D614,950 | S | 5/2010 | Colacitti | |
| D621,667 | S * | 8/2010 | Ablo | D7/629 |
| D634,986 | S * | 3/2011 | Smyers | D7/629 |
| D646,128 | S * | 10/2011 | Cetti | D7/629 |
| D649,409 | S | 11/2011 | Segal | |
| D649,410 | S | 11/2011 | Segal | |
| D656,367 | S | 3/2012 | Segal | |
| D656,368 | S | 3/2012 | Segal | |
| D665,662 | S * | 8/2012 | Schick | D9/425 |
| 2009/0120937 | A1 * | 5/2009 | Vovan | 220/266 |
| 2010/0038274 | A1 | 2/2010 | Segal | |
| 2012/0103991 | A1 | 5/2012 | Segal | |

* cited by examiner

Primary Examiner — Terry Wallace
(74) *Attorney, Agent, or Firm* — Alex Porat

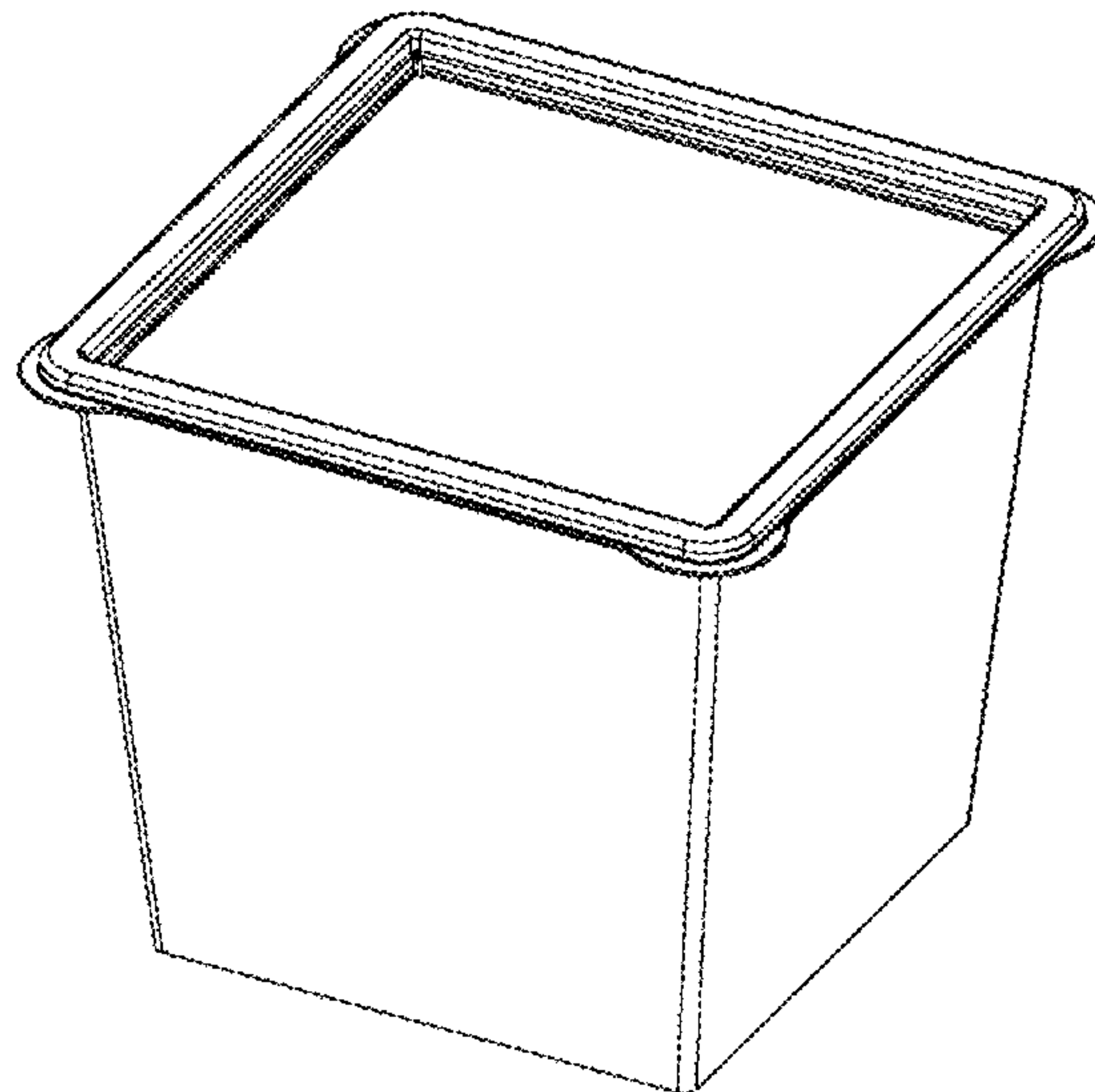
(57) **CLAIM**

The ornamental design for a food container, as shown and described.

DESCRIPTION

FIG. 1 is a top perspective view showing my new design for a food container, including a base and a lid.
FIG. 2 is a top perspective view of the food container shown in FIG. 1, with the lid separated from the base.
FIG. 3 is bottom perspective view of the food container shown in FIG. 1, with the lid separated from the base.
FIG. 4 is a side view of the food container shown in FIG. 1.
FIG. 5 is a side view of the food container shown in FIG. 1, with the lid separated from the base.
FIG. 6 is a top view of the food container shown in FIG. 1; and,
FIG. 7 is a bottom view of the food container shown in FIG. 1.

1 Claim, 7 Drawing Sheets



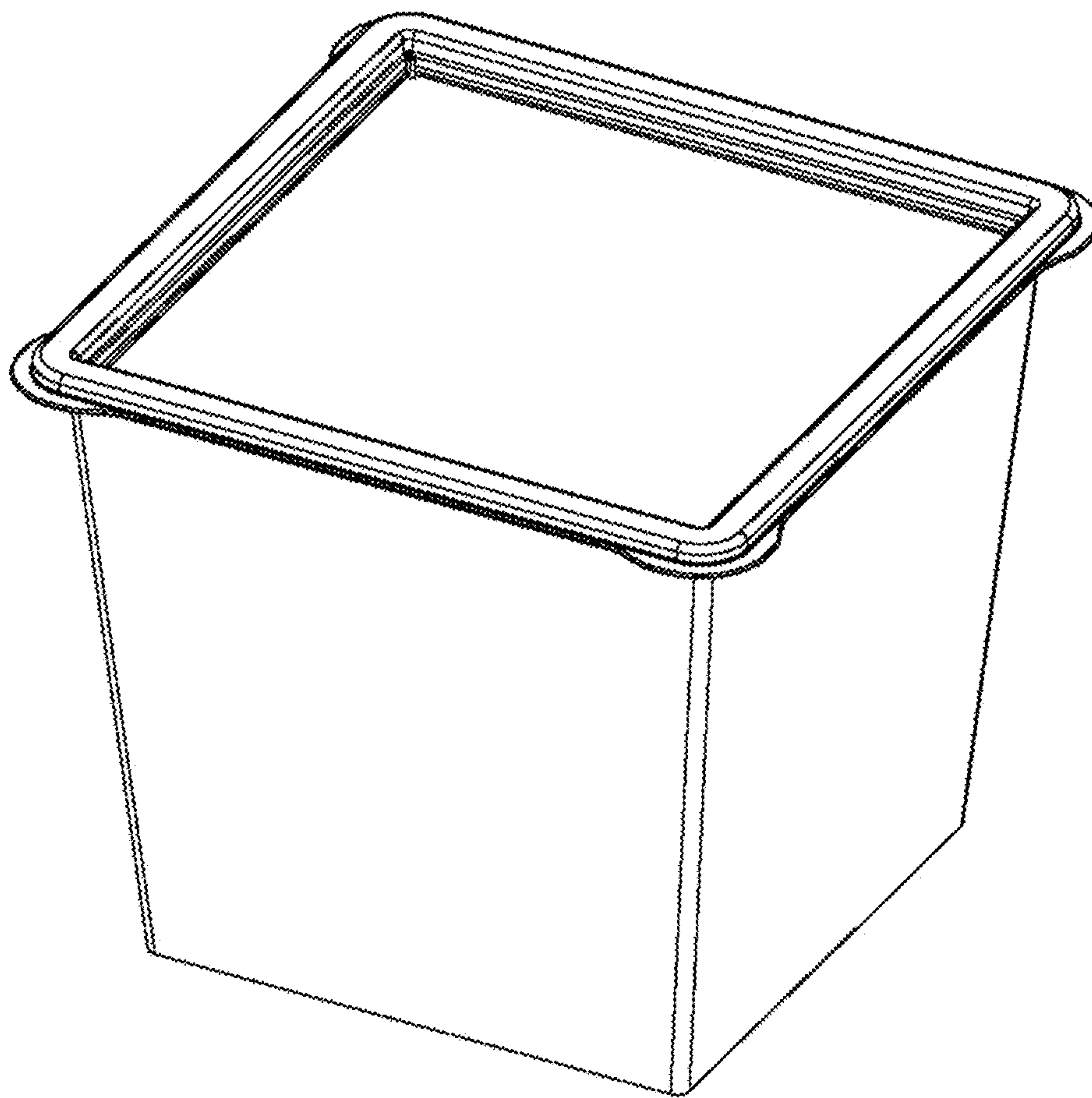


Fig. 1

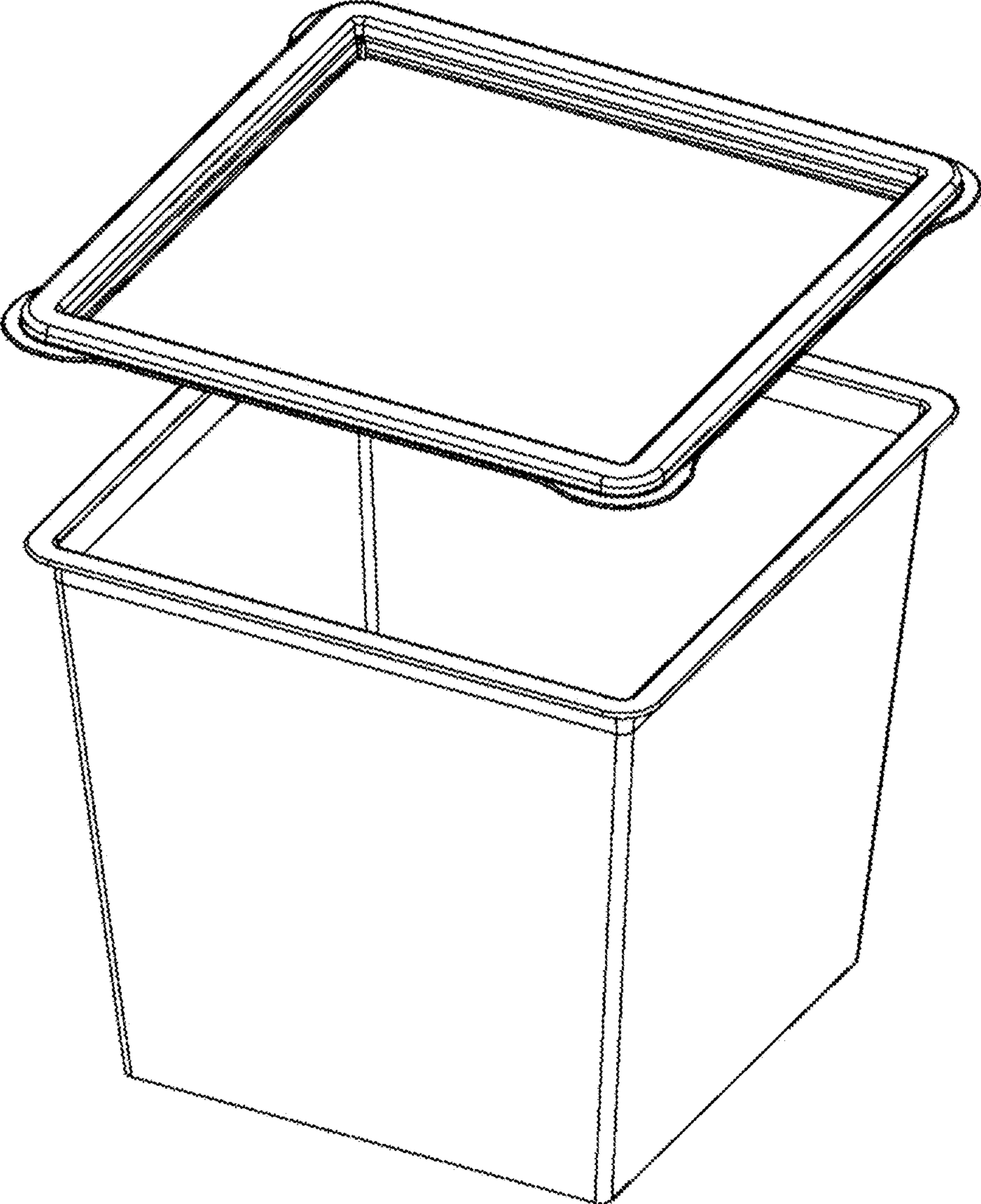


Fig. 2

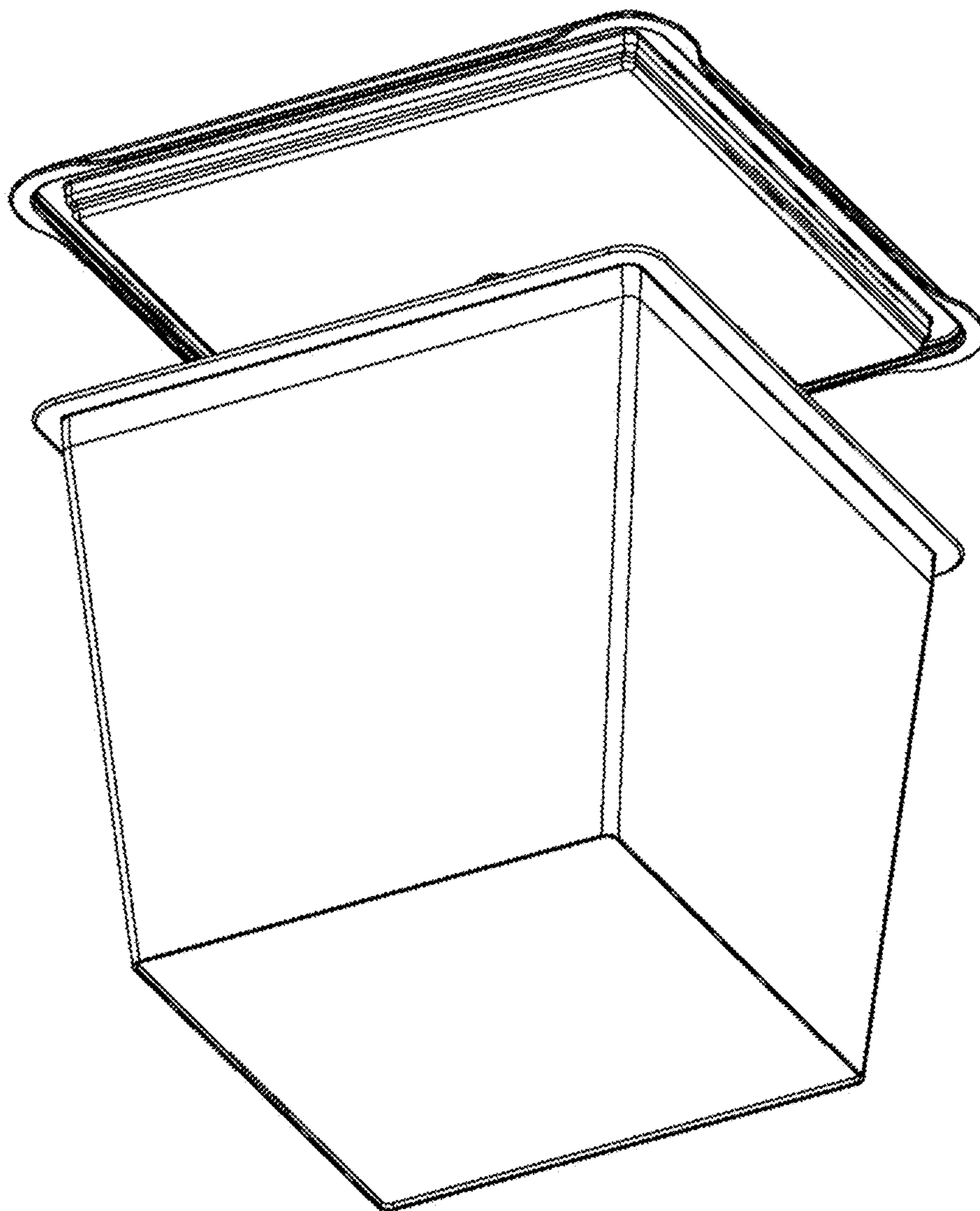


Fig. 3

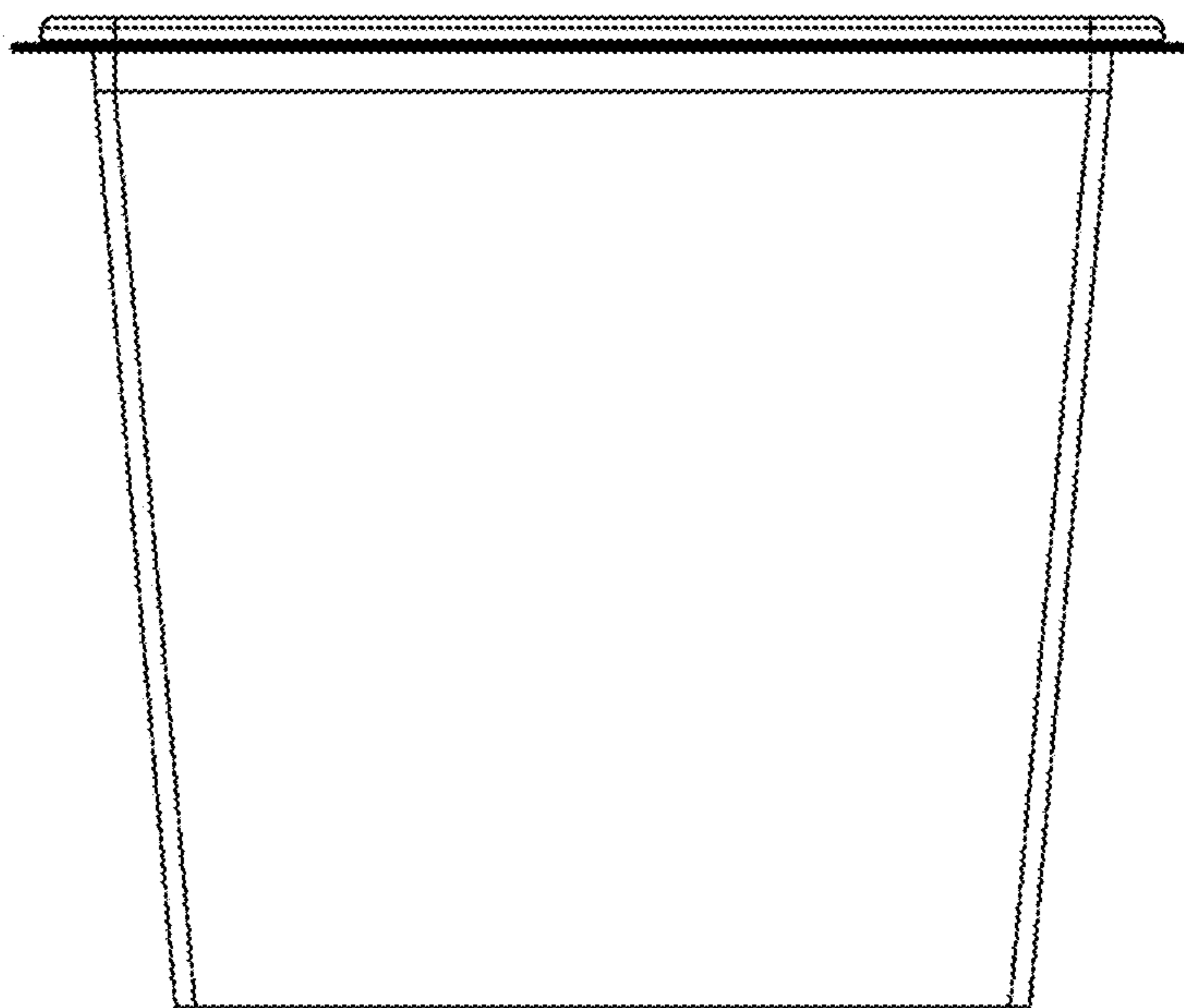


Fig. 4

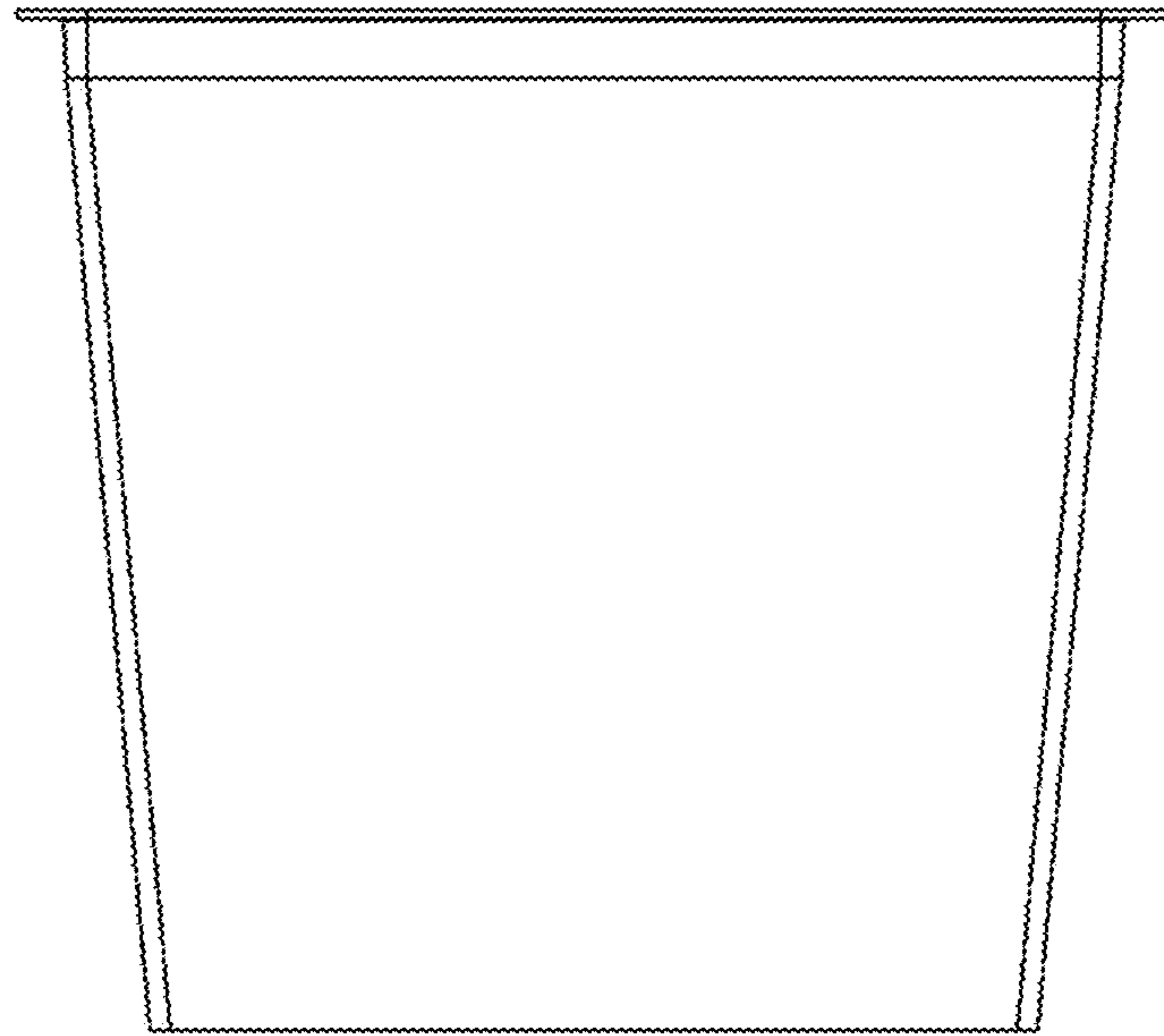


Fig. 5

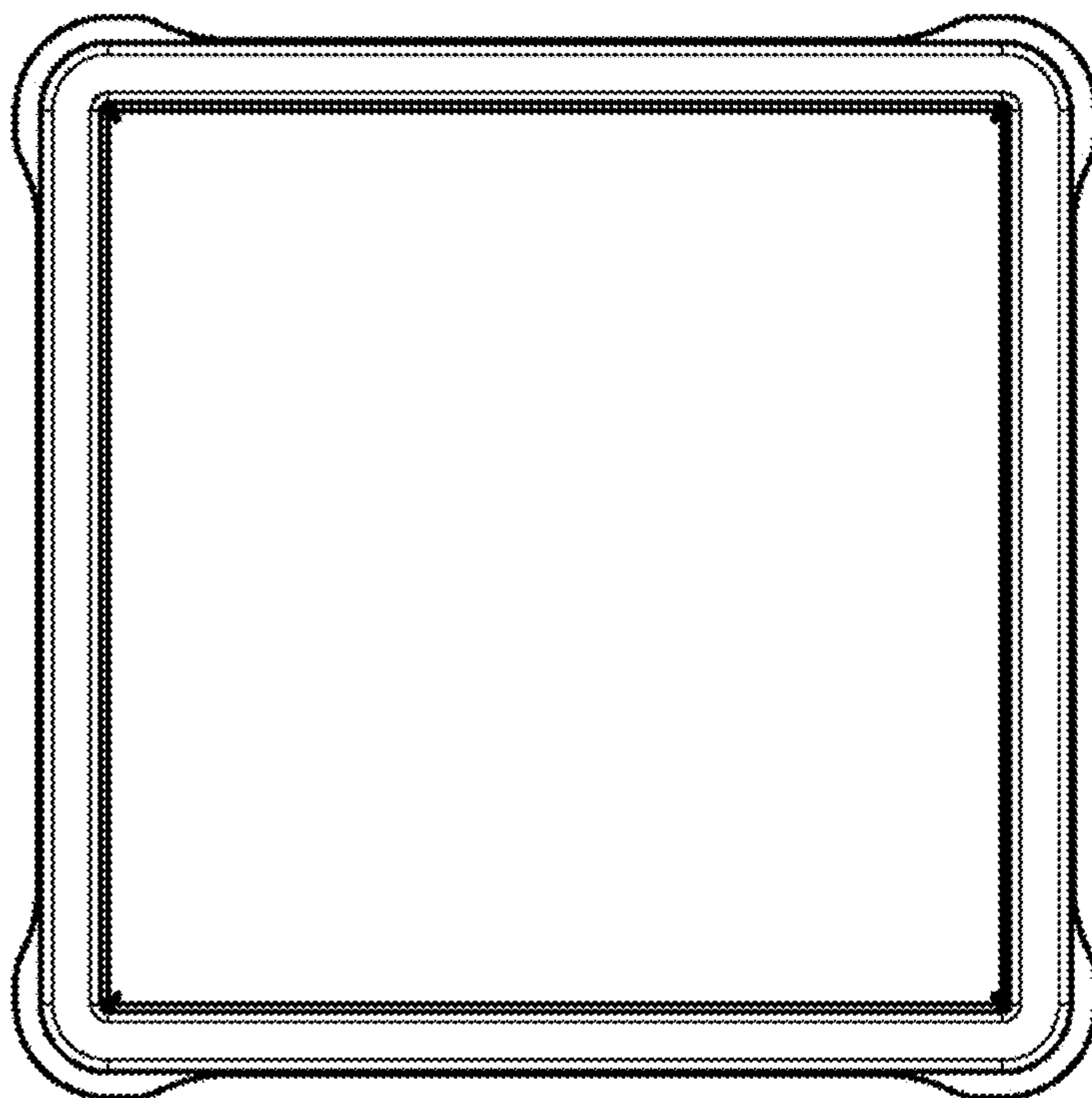


Fig. 6

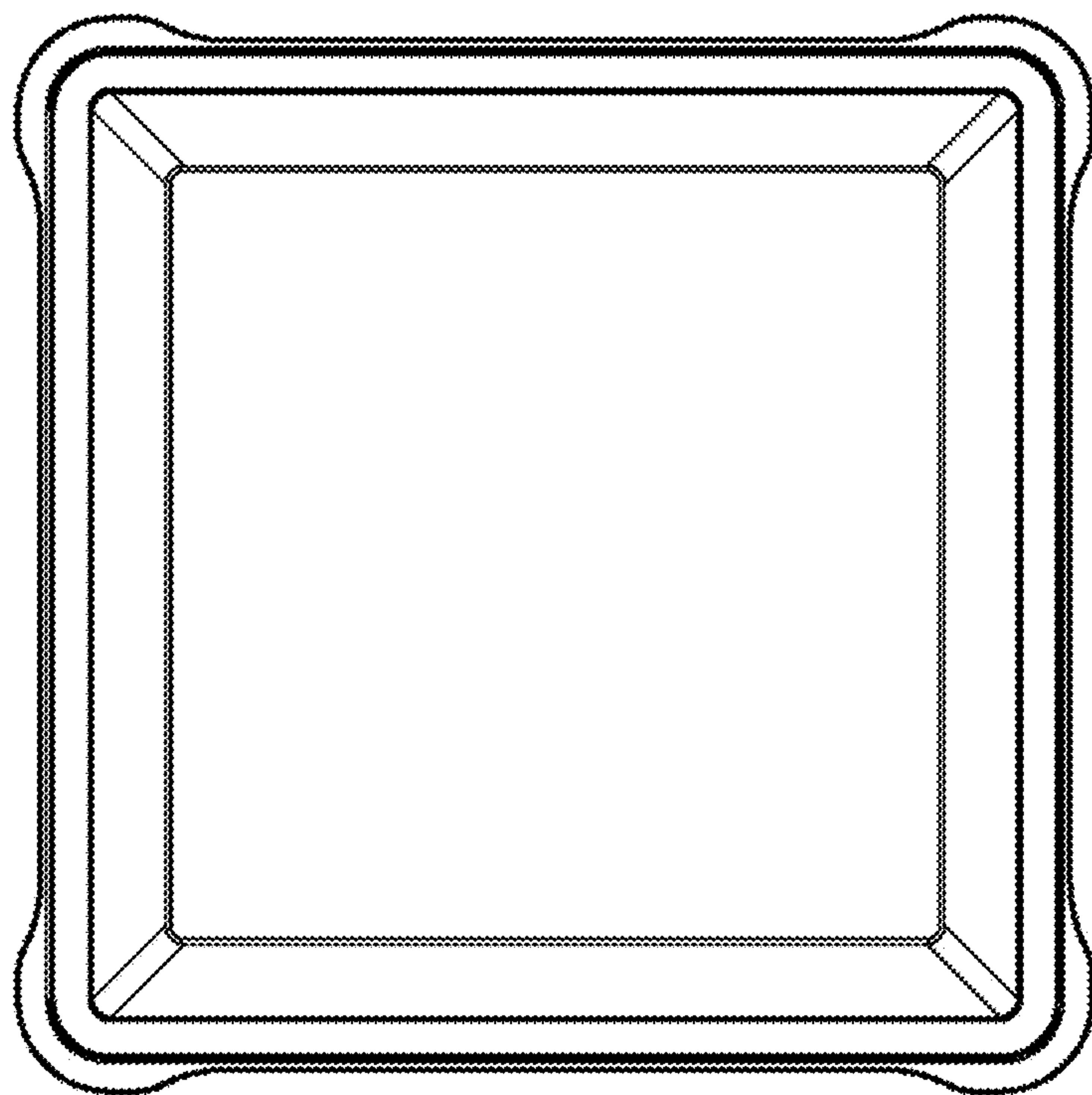


Fig. 7