



US00D702508S

(12) **United States Design Patent**
Riedel et al.

(10) **Patent No.:** **US D702,508 S**
(45) **Date of Patent:** **** Apr. 15, 2014**

(54) **FOOD DISPLAY STAND**

(71) Applicant: **Target Brands, Inc.**, Minneapolis, MN (US)

(72) Inventors: **Richard P. Riedel**, Blaine, MN (US);
Elizabeth H. Apple, Minneapolis, MN (US)

(73) Assignee: **Target Brands, Inc.**, Minneapolis, MN (US)

(**) Term: **14 Years**

(21) Appl. No.: **29/436,055**

(22) Filed: **Oct. 31, 2012**

(51) **LOC (10) CL.** **07-01**

(52) **U.S. CL.**
USPC **D7/628**

(58) **Field of Classification Search**
USPC D7/628, 551.1, 571; D11/147, 125;
D6/658, 665, 675.5, 674, 676.5, 678.4,
D6/680.3; 248/175, 159, 165, 188.4;
211/181.1, 85.23, 205
See application file for complete search history.

(56) **References Cited**

U.S. PATENT DOCUMENTS

D188,384 S *	7/1960	Messer	D11/147
5,413,801 A *	5/1995	McIlwain	426/420
5,833,080 A *	11/1998	Donne	211/85.31
6,517,035 B1 *	2/2003	Sellers	248/146
D498,171 S *	11/2004	Webster	D11/125
D516,385 S	3/2006	Franczyk		
D560,974 S	2/2008	Goode et al.		
7,387,283 B2 *	6/2008	Franczyk	248/175
D591,569 S	5/2009	Cash		
D630,904 S	1/2011	Zeilinger		
D636,637 S	4/2011	Lupkes et al.		

OTHER PUBLICATIONS

“John Lewis Spider Web Cake Stand,” printed from www.polyvore.com/buy_john_lewis_spider_web/thing?id=44442408 on Aug. 14, 2012 (2 pages).

“KingKara Metal Wire 3tiers Cake Stand for The Halloween,” printed from www.alibaba.com/product-gs/376051038/KingKara_metal_wire_3tiers_cake_stand.html on Aug. 14, 2012 (4 pages).

(Continued)

Primary Examiner — Terry Wallace

(74) *Attorney, Agent, or Firm* — Griffiths & Seaton PLLC; JoAnn M. Seaton

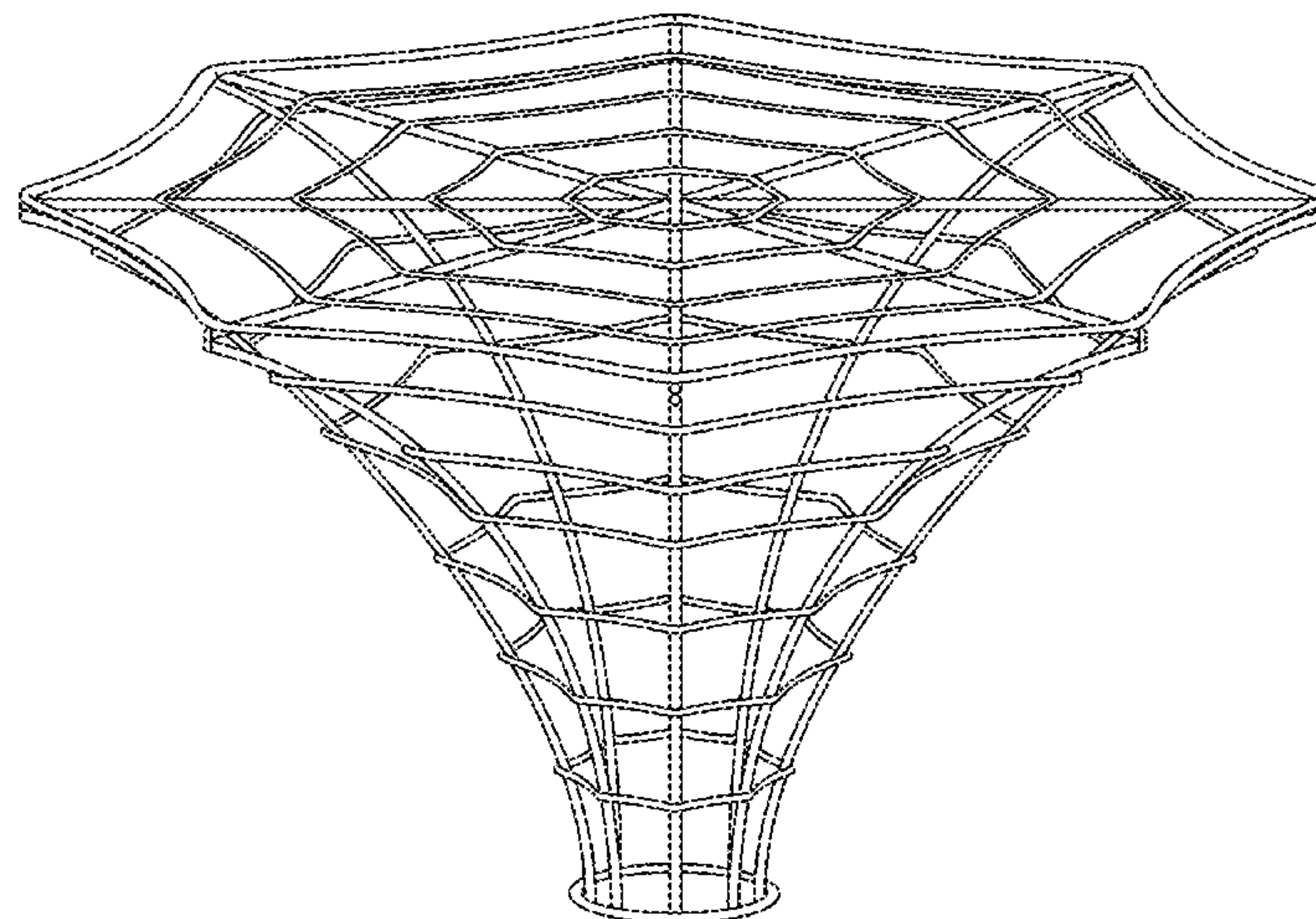
(57) **CLAIM**

The ornamental design for a food display stand, as shown and described.

DESCRIPTION

FIG. 1 is a front, perspective view of a food display stand showing a first embodiment of our new design; FIG. 2 is a front view thereof, the rear view being a mirror image thereof; FIG. 3 is a right side view thereof, the left side view being a mirror image thereof; FIG. 4 is a top view thereof; and FIG. 5 is a bottom view thereof. FIG. 6 is a front, perspective view of the food display stand of FIG. 1 illustrated with additional unclaimed portions of the food display stand; FIG. 7 is a front view thereof, the rear view being a mirror image thereof; FIG. 8 is a right side view thereof, the left side view being a mirror image thereof; FIG. 9 is a top view thereof; and, FIG. 10 is a bottom view thereof. The features shown in broken lines are portions of the food display stand forming no part of the claimed design.

1 Claim, 10 Drawing Sheets



(56)

References Cited

OTHER PUBLICATIONS

“Spider Web Three-Tier Stand,” printed from www.thisnext.com/item/C83B685C/Spider-Web-Three-Tier-Stand on Aug. 14, 2012 (3 pages).

“Eat, Drink and be Merry with Z Gallerie,” http://cheapdiva.typepad.com/the_cheap_diva/home_style/page/2/ relevant entries dated Sep. 22, 2011 and Oct. 12, 2011 (38 pages).

“Totally Ghoul Spider Web Wire Cake Stand,” www.kmart.com/shc/s/p_10151_10104_032W439424050001P available as early as Aug. 29, 2009 (1 page).

“Two-Tiered Spider Web Candy Bowl,” printed from www.kaboodle.com/reviews/two-tiered-spider-web-candy-bowl on Aug. 14, 2012 (2 pages).

“Spider Web Cake Stand,” www.kidlantis.com/holidays/spider-web-cake-stand/ available at least as early as Jun. 11, 2011 per www.internetarchive.org (5 pages).

* cited by examiner

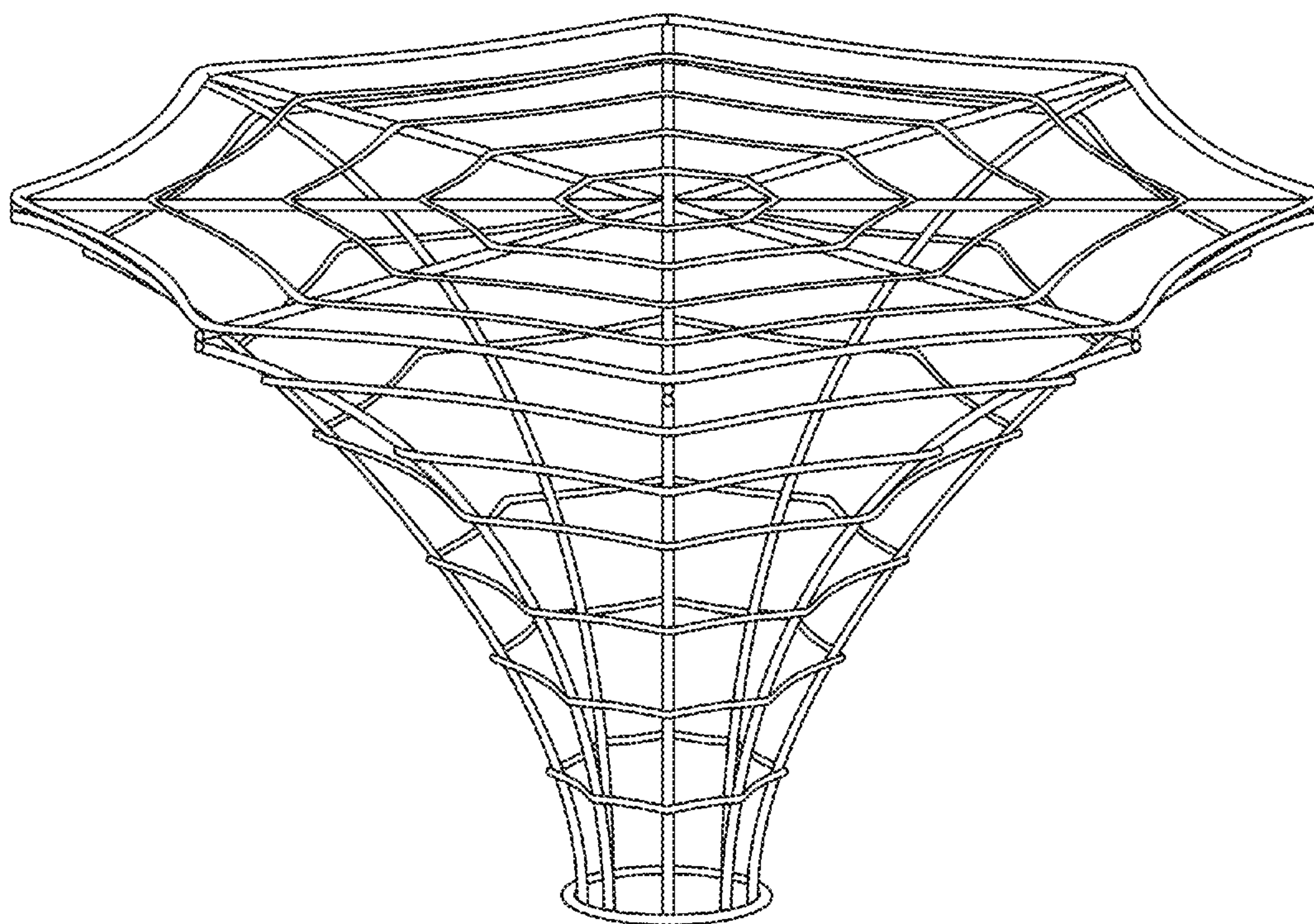


Fig. 1

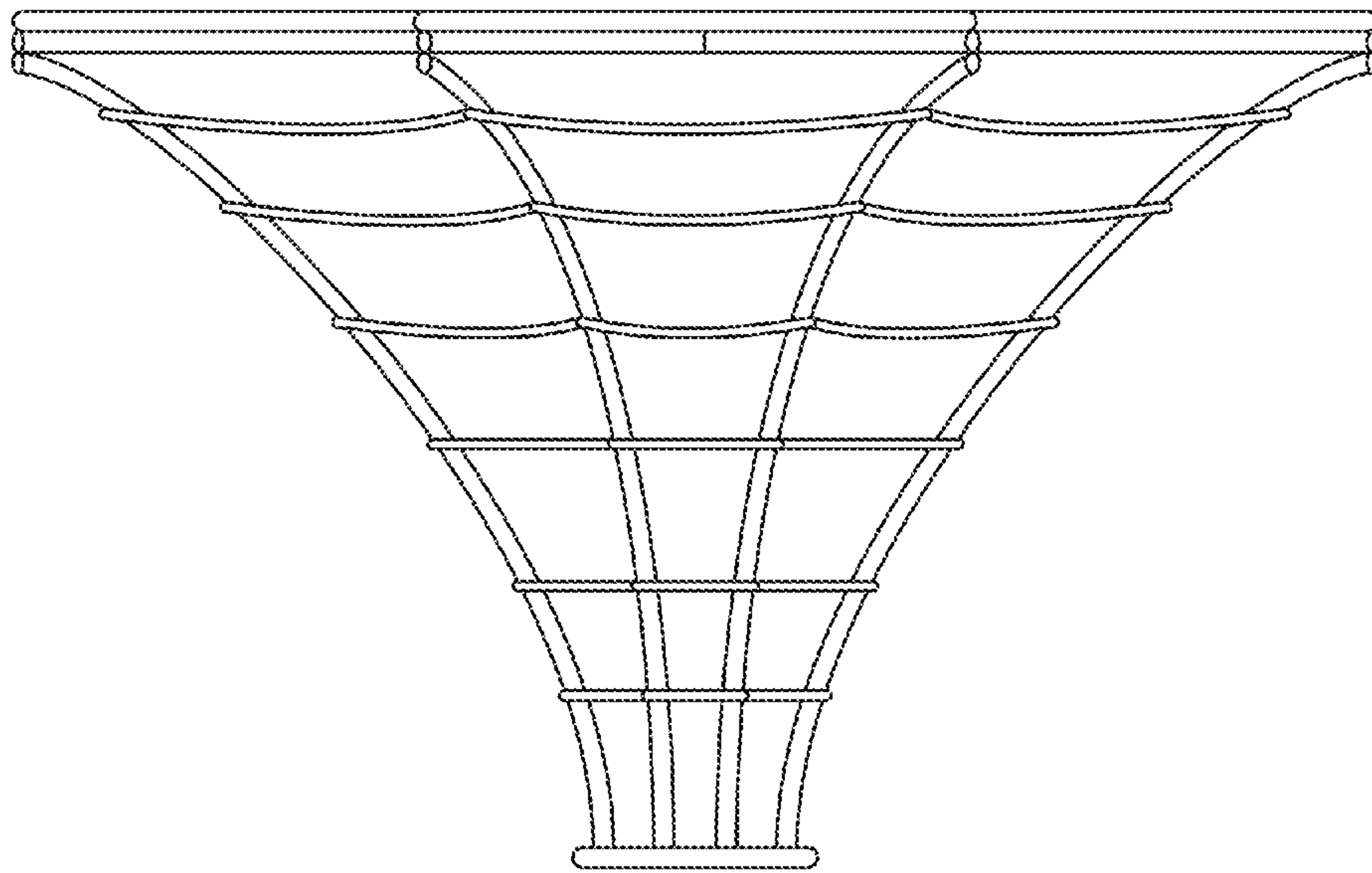


Fig. 2

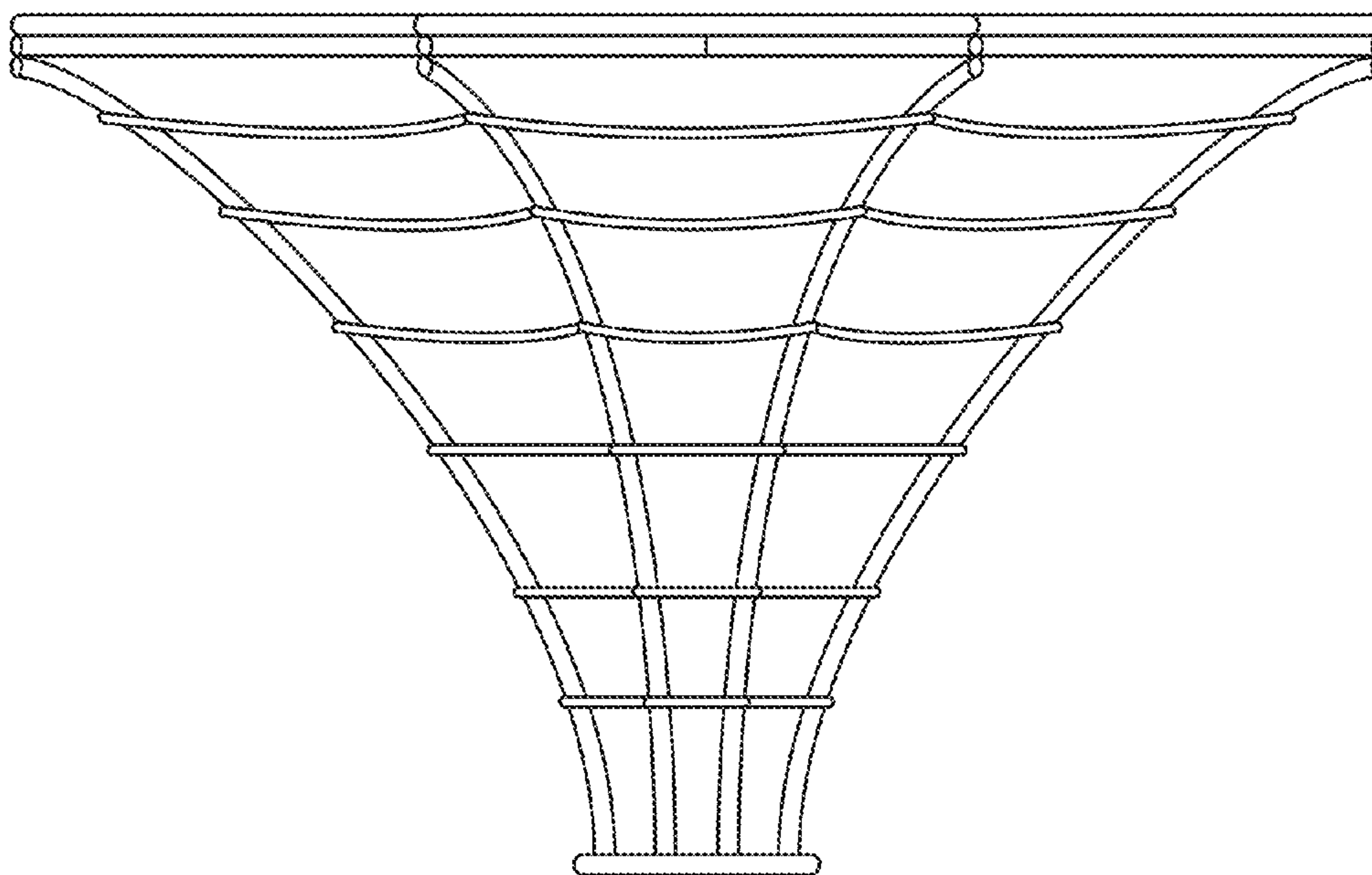


Fig. 3

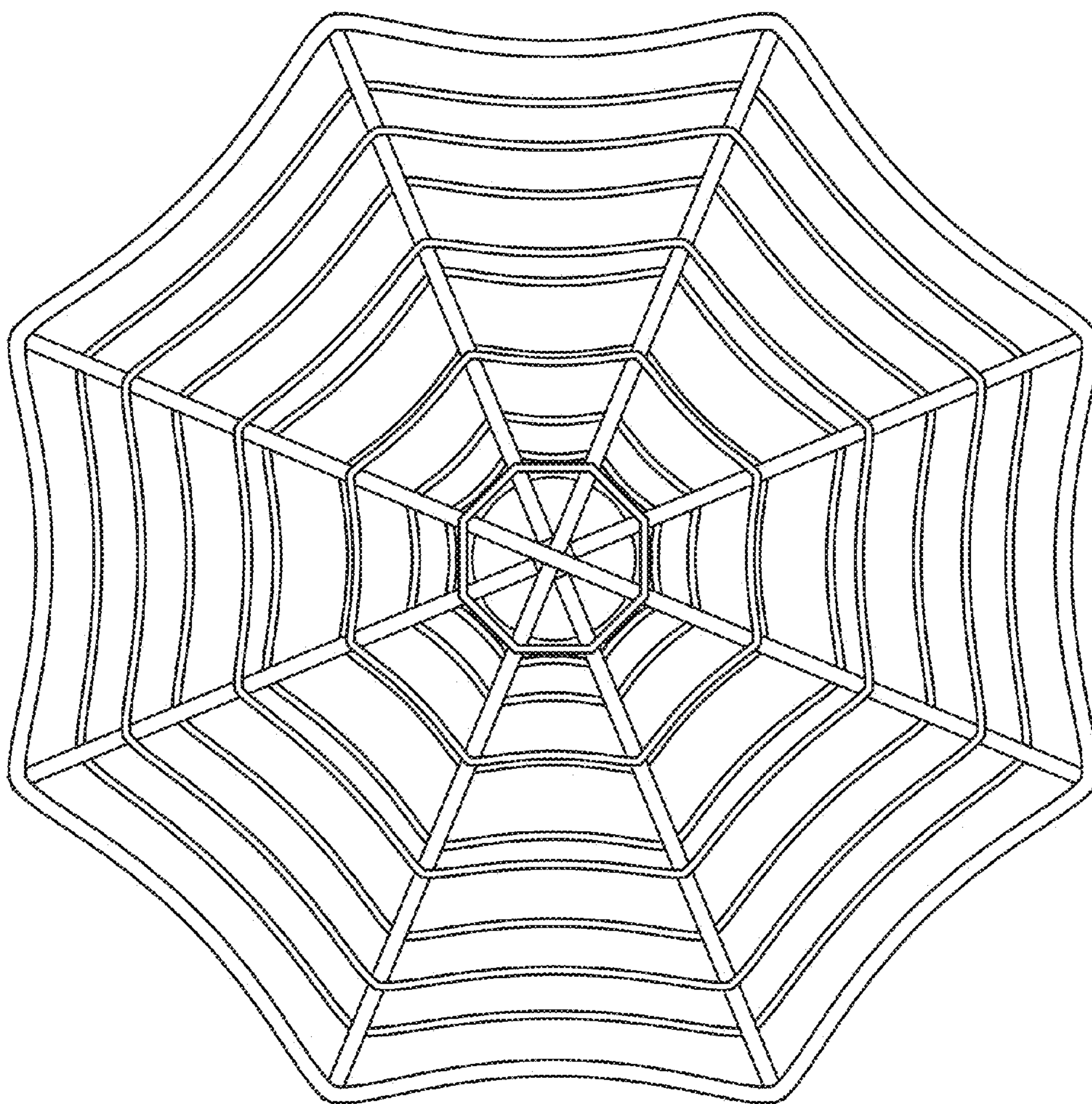


Fig. 4

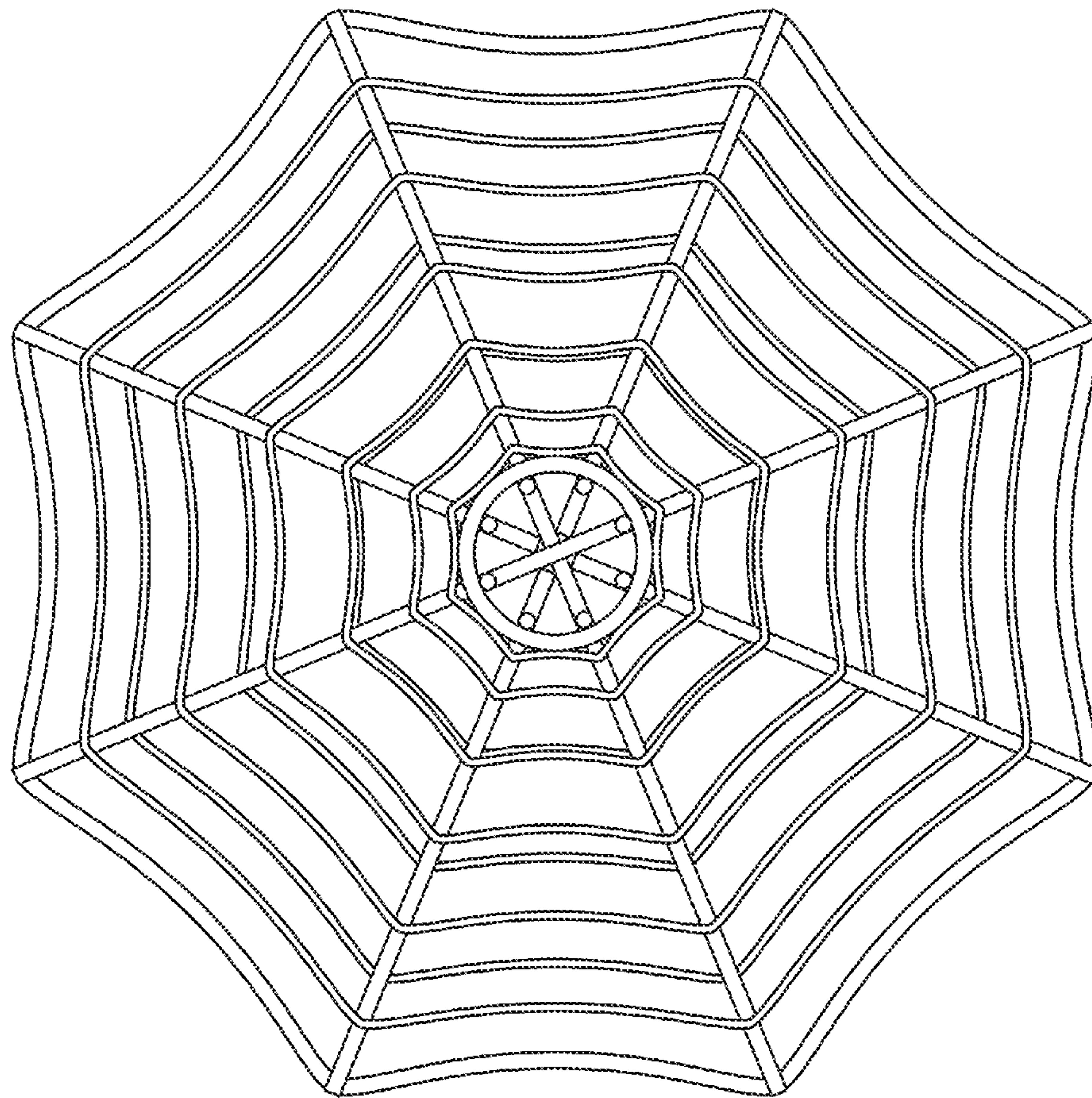


Fig. 5

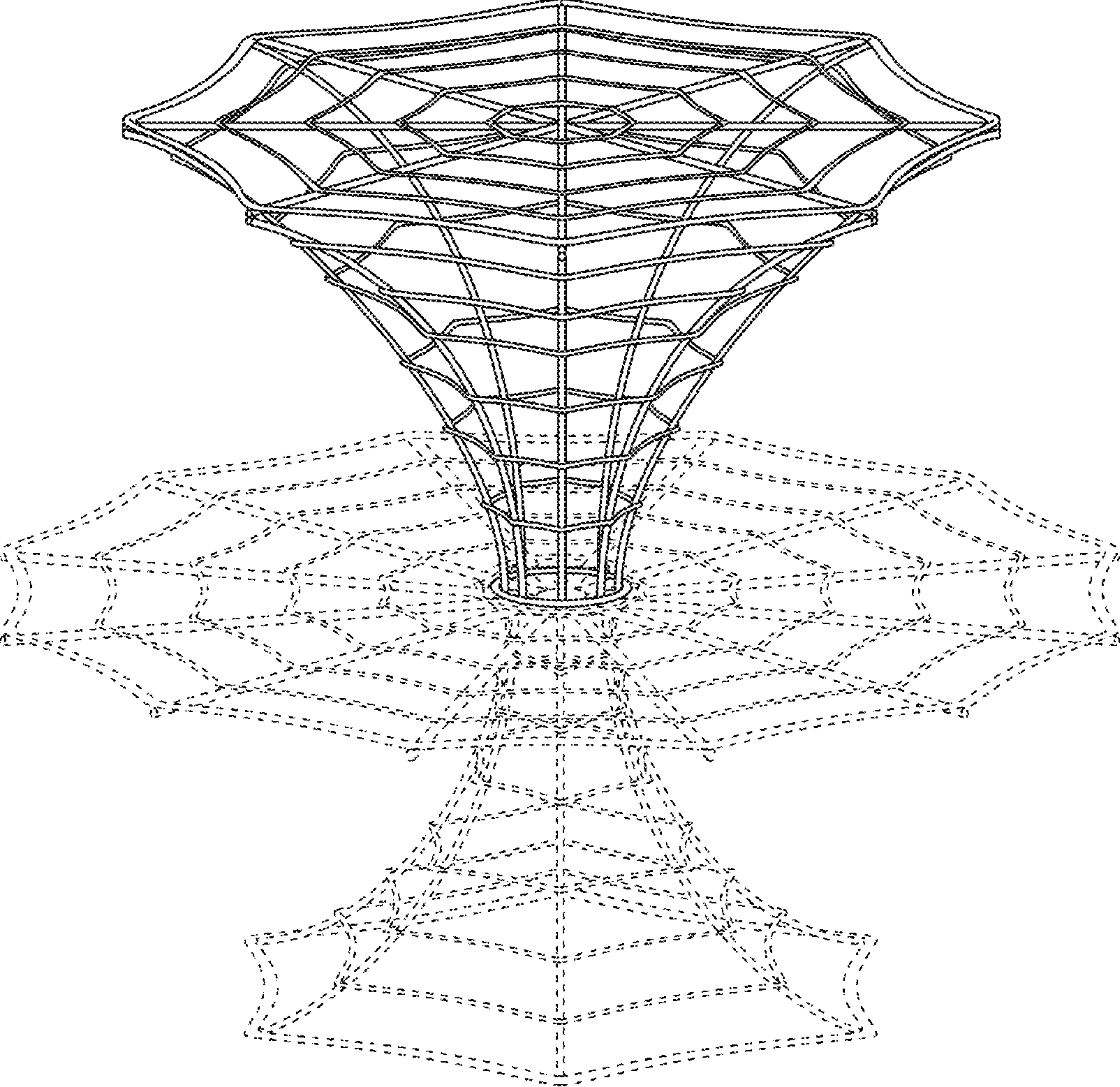


Fig. 6

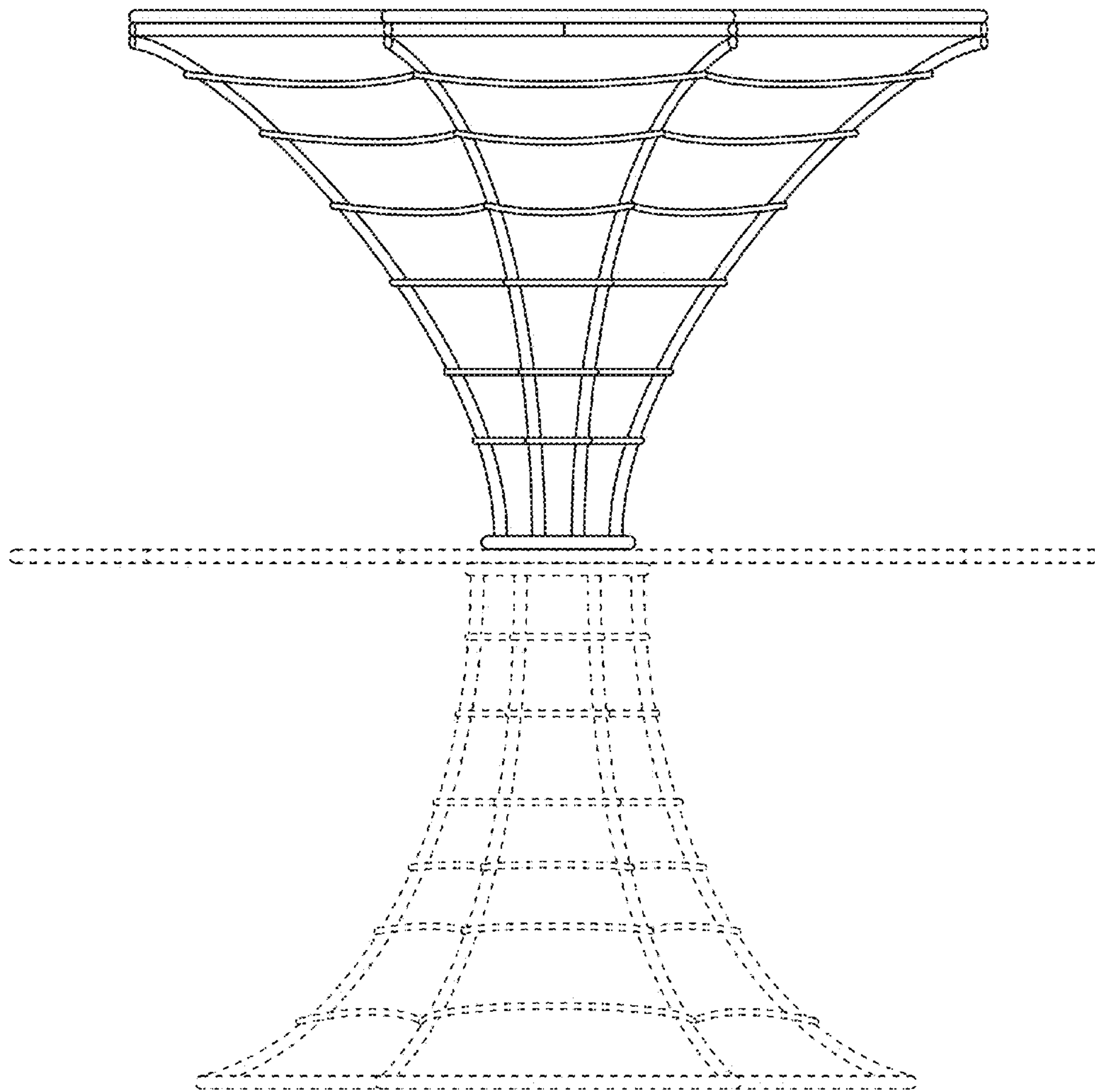


Fig. 7

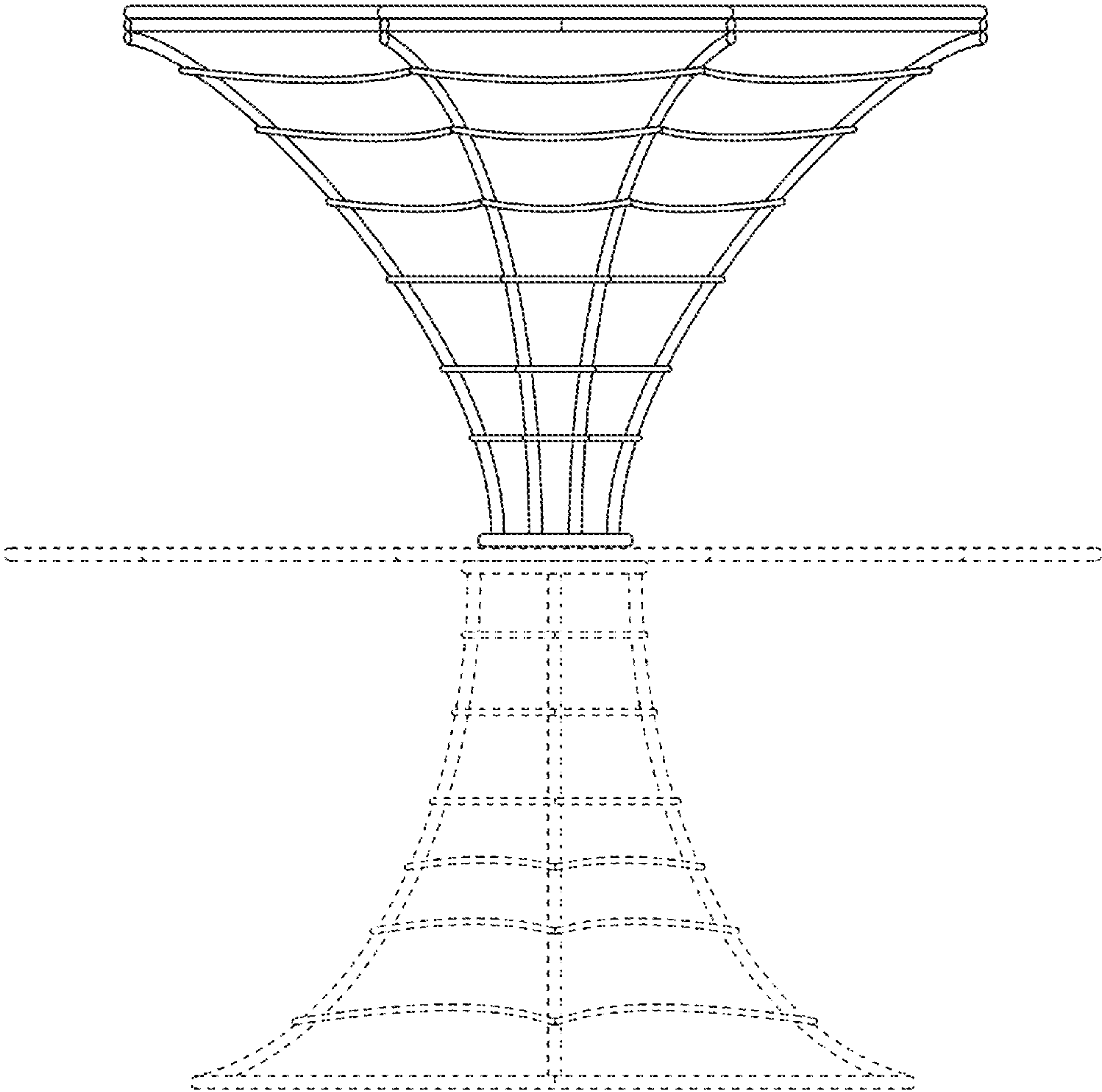


Fig. 8

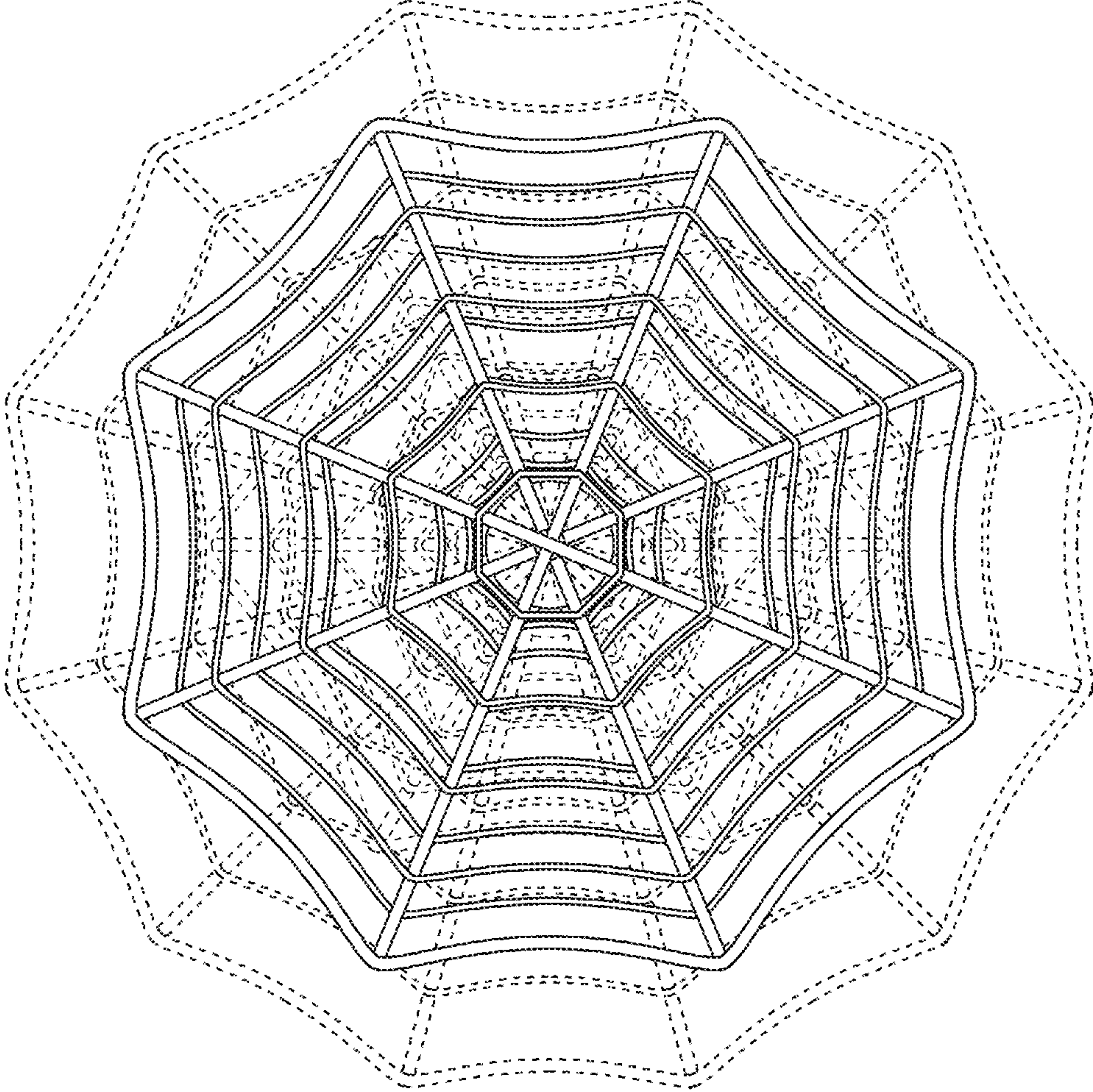


Fig. 9

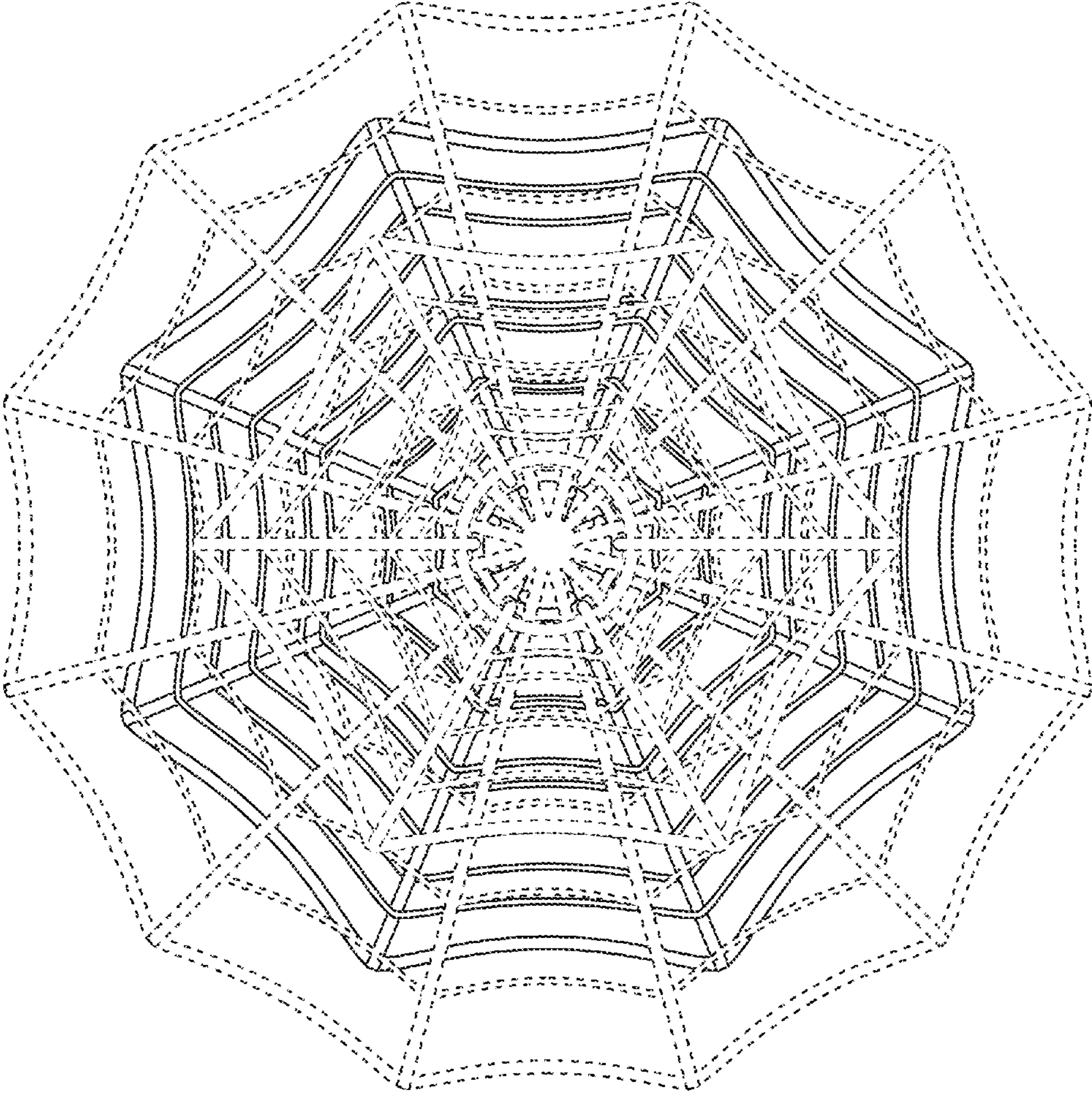


Fig. 10