



US00D702507S

(12) **United States Design Patent**
Bland

(10) **Patent No.:** **US D702,507 S**
(45) **Date of Patent:** **** Apr. 15, 2014**

(54) **DESSERT LOAF ENCLOSURE**

DESCRIPTION

- (71) Applicant: **Renita Bland**, Marshall, VA (US)
- (72) Inventor: **Renita Bland**, Marshall, VA (US)
- (**) Term: **14 Years**
- (21) Appl. No.: **29/434,001**
- (22) Filed: **Oct. 8, 2012**
- (51) **LOC (10) Cl.** **07-06**
- (52) **U.S. Cl.**
USPC **D7/609**
- (58) **Field of Classification Search**
USPC D7/609, 610, 629, 601, 500, 502,
D7/538-549; 220/574-575, 780-806;
312/137
See application file for complete search history.

(56) **References Cited**

U.S. PATENT DOCUMENTS

1,929,139	A *	10/1933	Eisenhauer	312/137
2,120,826	A *	6/1938	Young	206/6.1
D207,496	S *	4/1967	Sweet	D7/610
D311,302	S *	10/1990	Pozzi	D7/629
D372,641	S *	8/1996	Betend-Bon	D7/629
D375,437	S *	11/1996	Joergensen	D7/502
D389,379	S *	1/1998	Samuels	D7/610
D414,084	S *	9/1999	Schmidt	D7/609
D419,033	S *	1/2000	Thomas	D7/609
D448,251	S *	9/2001	Bodum	D7/609
D484,007	S *	12/2003	Levien	D7/629
D623,472	S *	9/2010	Bodum	D7/502

* cited by examiner

Primary Examiner — Terry Wallace

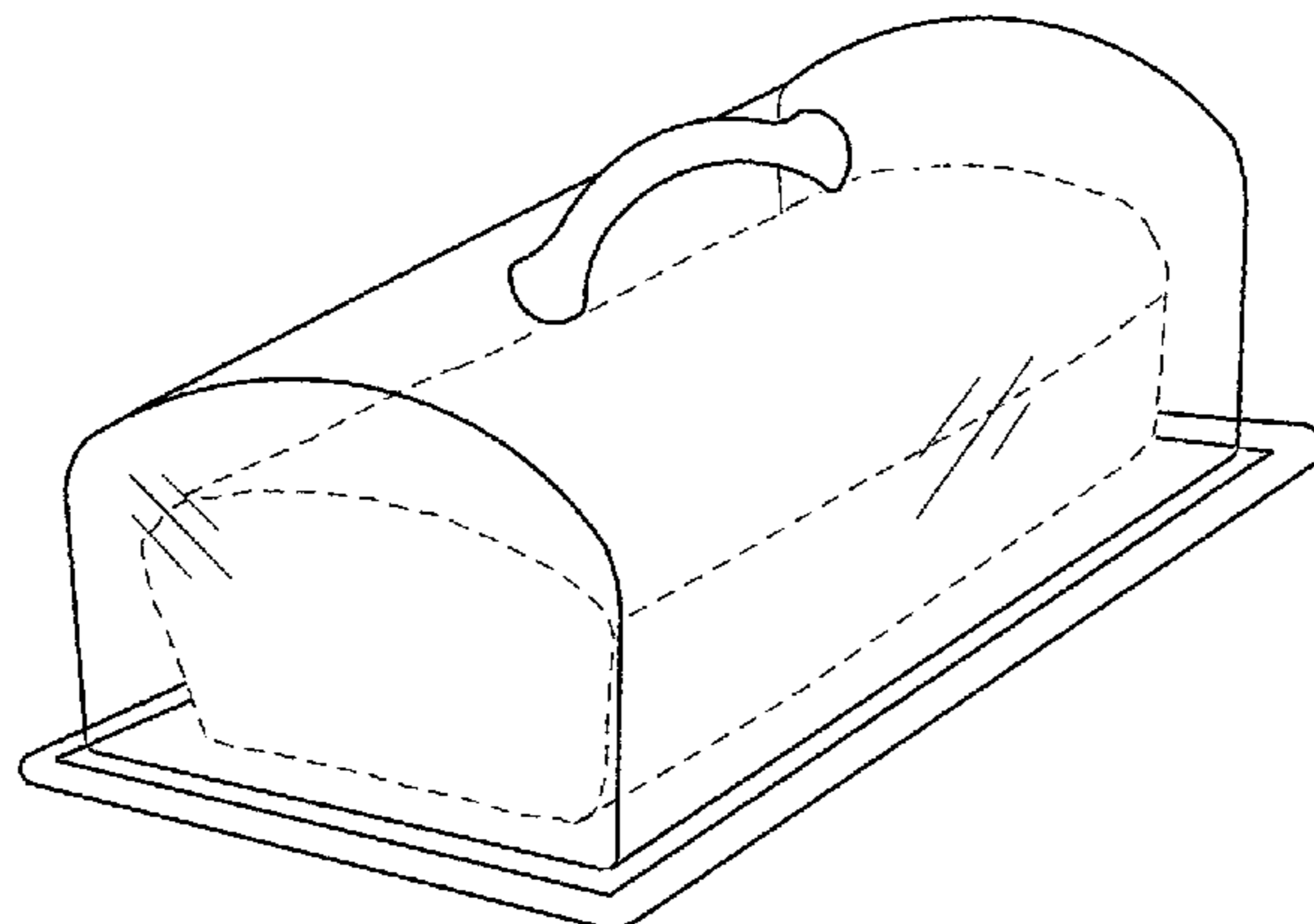
(74) *Attorney, Agent, or Firm* — Shawna J. Shaw

(57) **CLAIM**

The ornamental design for a dessert loaf enclosure, as shown and described.

FIG. 1 is a perspective view of a dessert loaf enclosure according to a preferred embodiment.
 FIG. 2 is a front view of a dessert loaf enclosure according to the embodiment of FIG. 1.
 FIG. 3 is a side view of a dessert loaf enclosure according to the embodiment of FIG. 1.
 FIG. 4 is a perspective view of a dessert loaf enclosure according to another embodiment.
 FIG. 5 is a front view of a dessert loaf enclosure according to the embodiment of FIG. 4.
 FIG. 6 is a side view of a dessert loaf enclosure according to the embodiment of FIG. 4.
 FIG. 7 is a perspective view of a dessert loaf enclosure according to another preferred embodiment.
 FIG. 8 is a front view of a dessert loaf enclosure according to the embodiment of FIG. 7.
 FIG. 9 is a side view of a dessert loaf enclosure according to the embodiment of FIG. 7.
 FIG. 10 is a perspective view of a dessert loaf enclosure according to another preferred embodiment.
 FIG. 11 is a front view of a dessert loaf enclosure according to the embodiment of FIG. 10.
 FIG. 12 is a side view of a dessert loaf enclosure according to the embodiment of FIG. 10.
 FIG. 13 is a perspective view of a dessert loaf enclosure according to another embodiment.
 FIG. 14 is a front view of a dessert loaf enclosure according to the embodiment of FIG. 13.
 FIG. 15 is a side view of a dessert loaf enclosure according to the embodiment of FIG. 13.
 FIG. 16 is a perspective view of a dessert loaf enclosure according to another preferred embodiment;
 FIG. 17 is a front view of a dessert loaf enclosure according to the embodiment of FIG. 16; and,
 FIG. 18 is a side view of a dessert loaf enclosure according to the embodiment of FIG. 16.
 The oblique line shading in FIGS. 1-9 is used to depict transparent or translucent materials. The broken lines shown in the drawings are for illustrative purposes only.

1 Claim, 12 Drawing Sheets



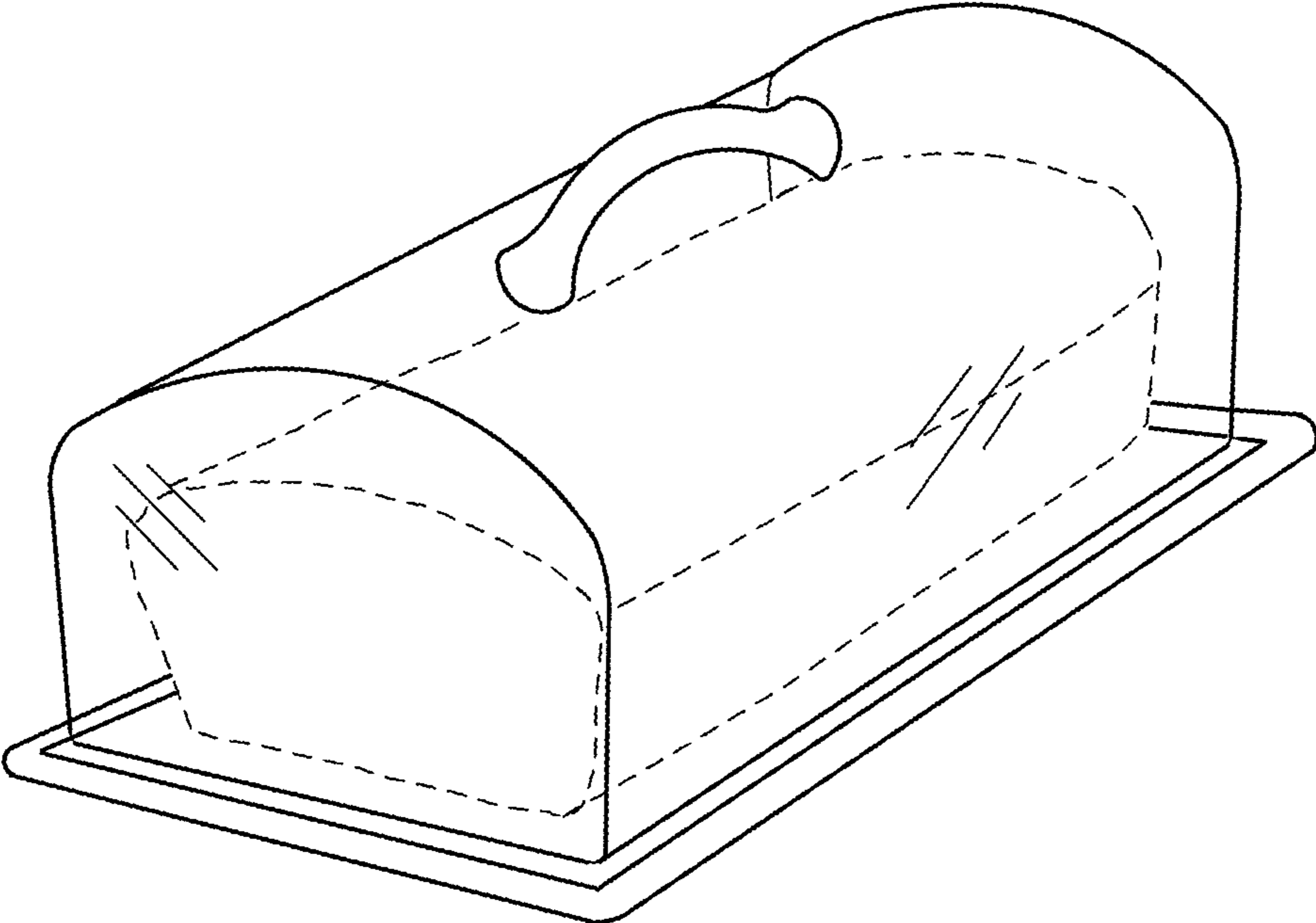


FIG. 1

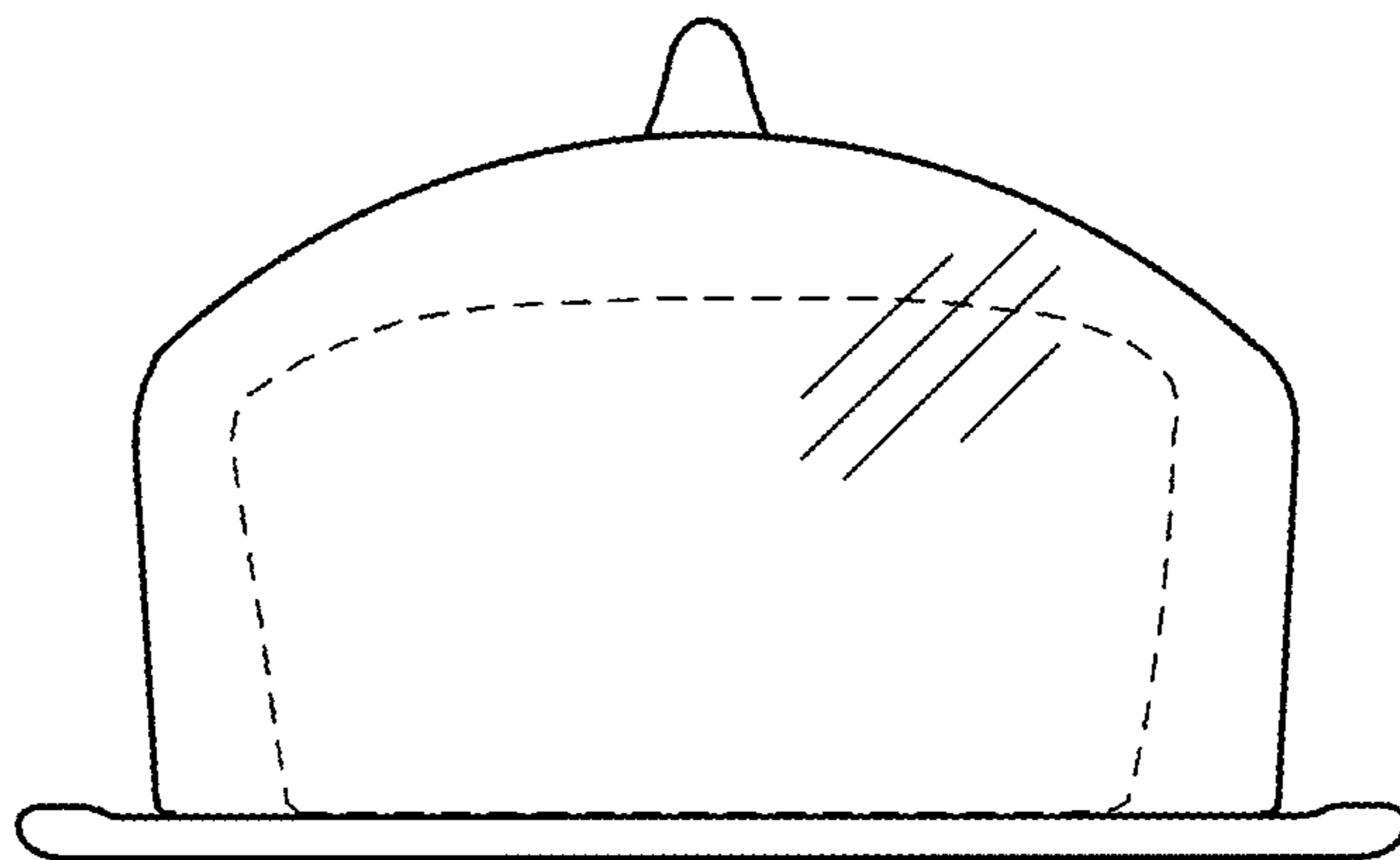


FIG. 2

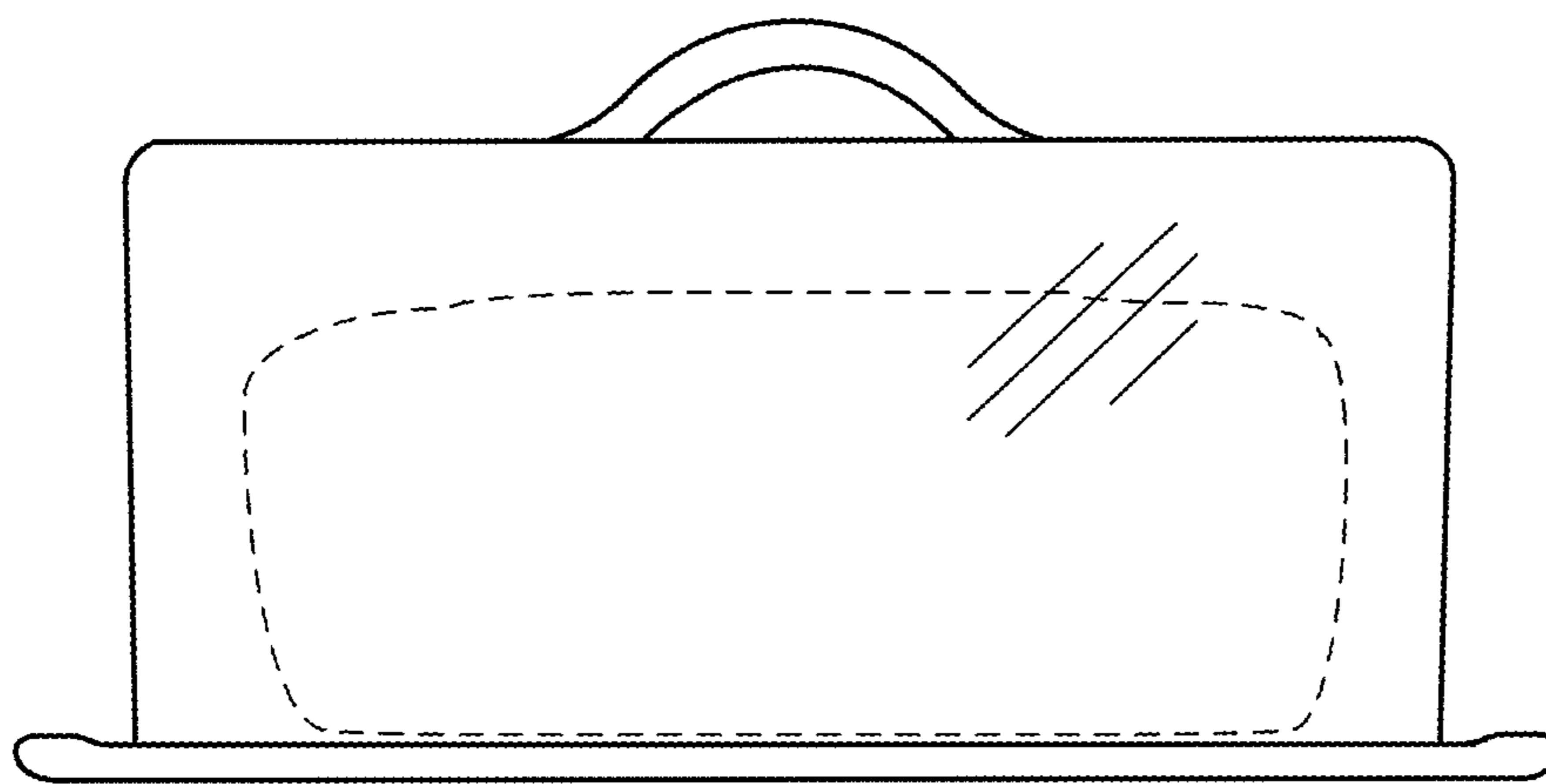


FIG. 3

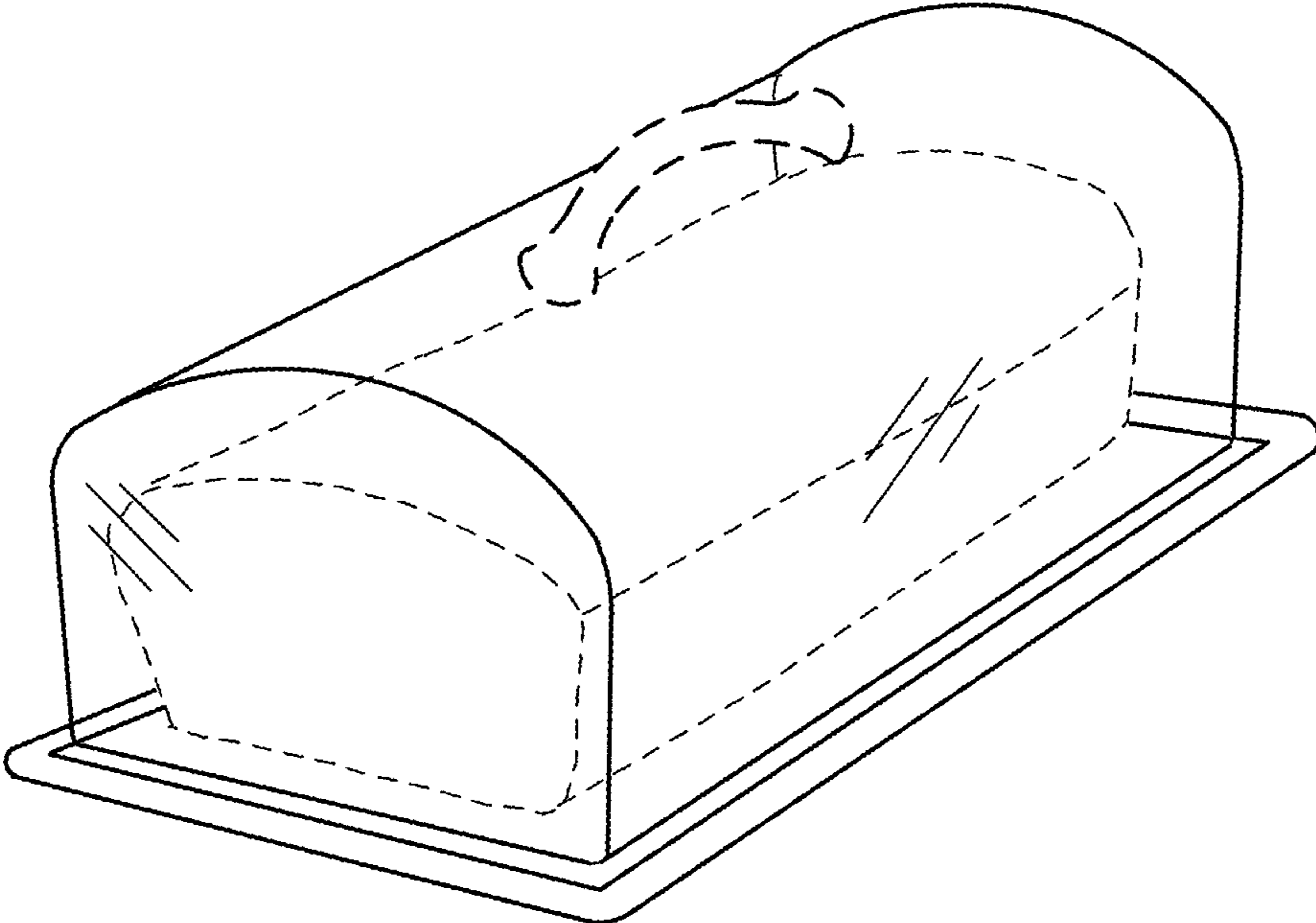


FIG. 4

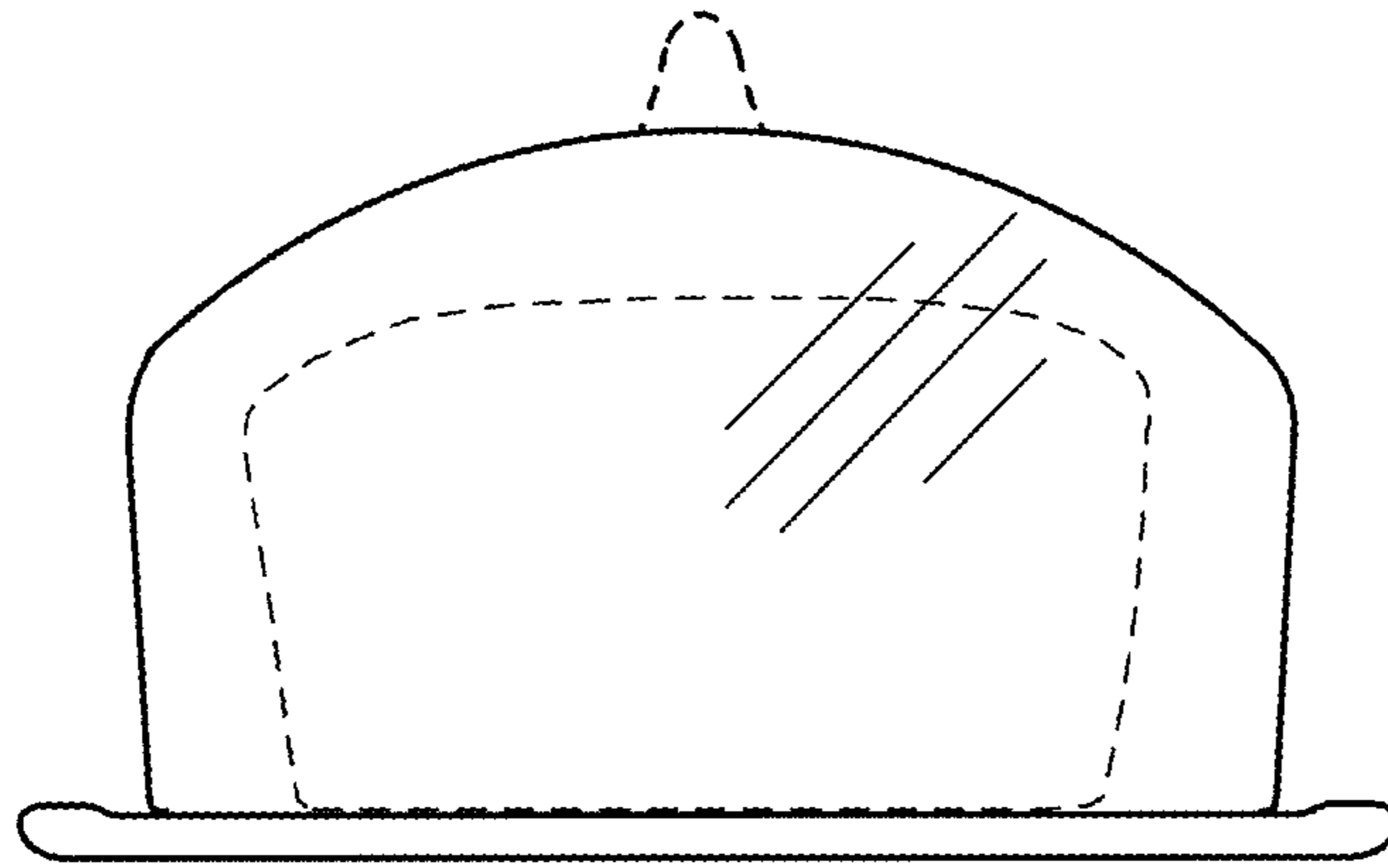


FIG. 5

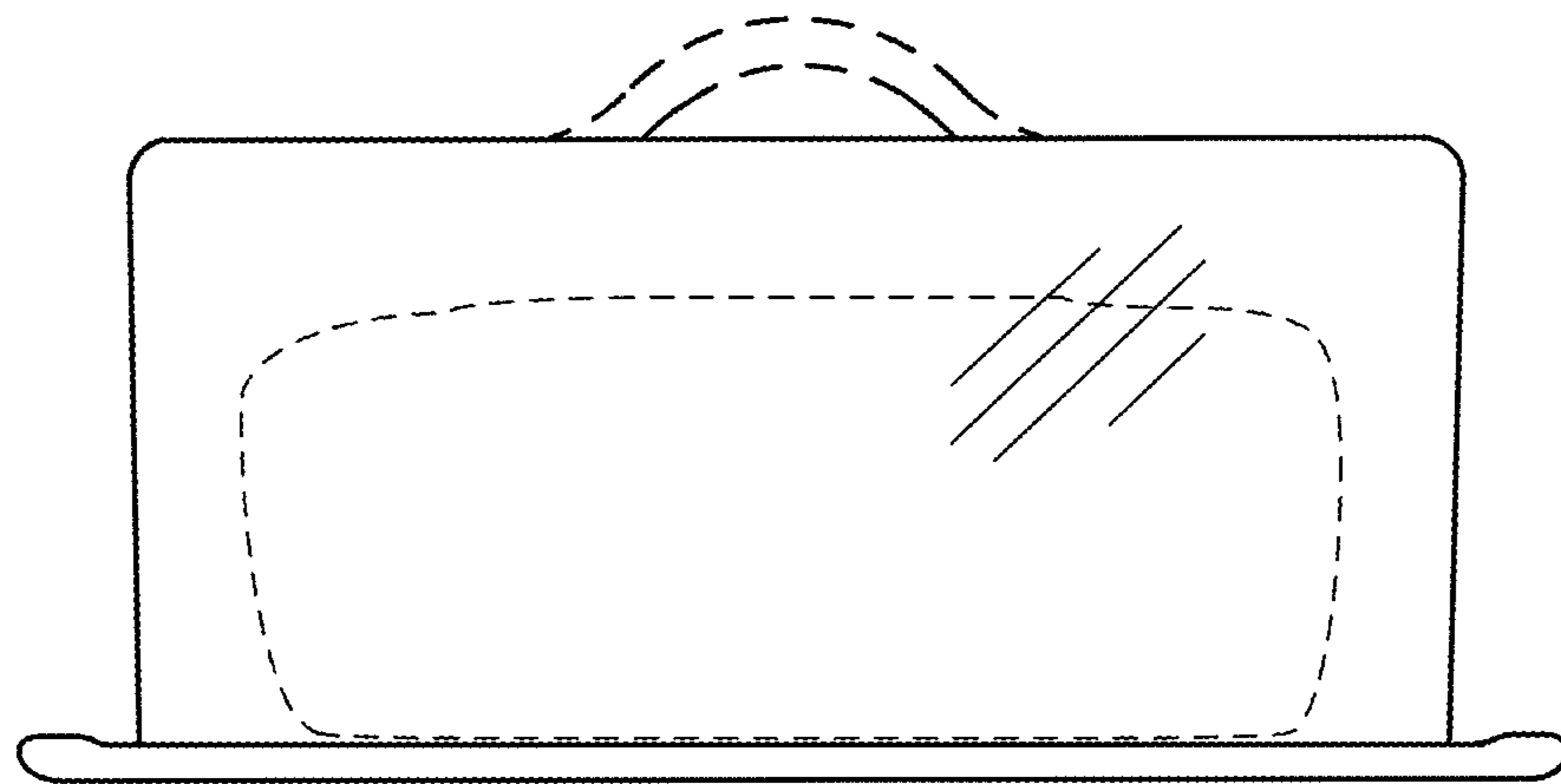


FIG. 6

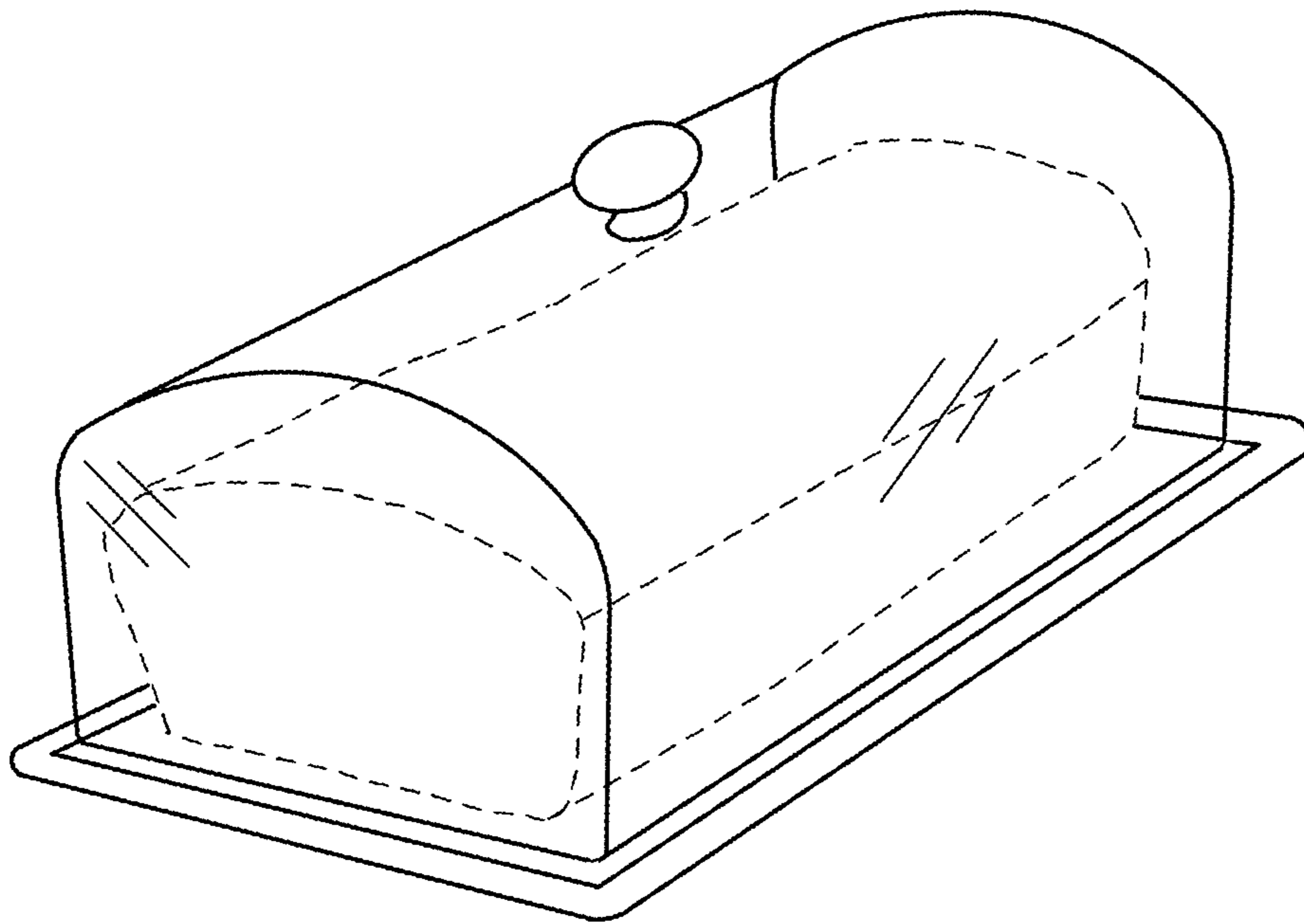


FIG. 7

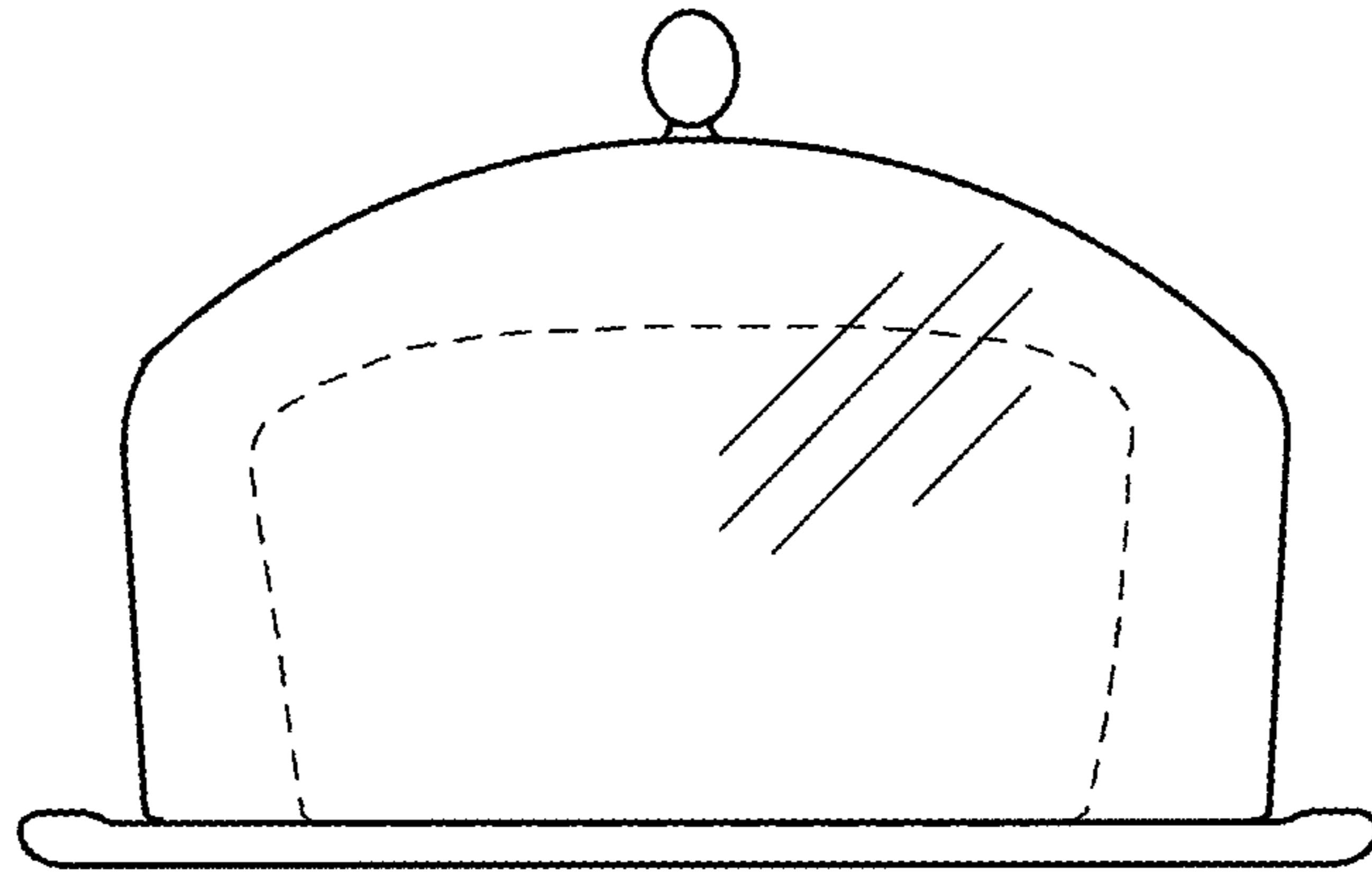


FIG. 8

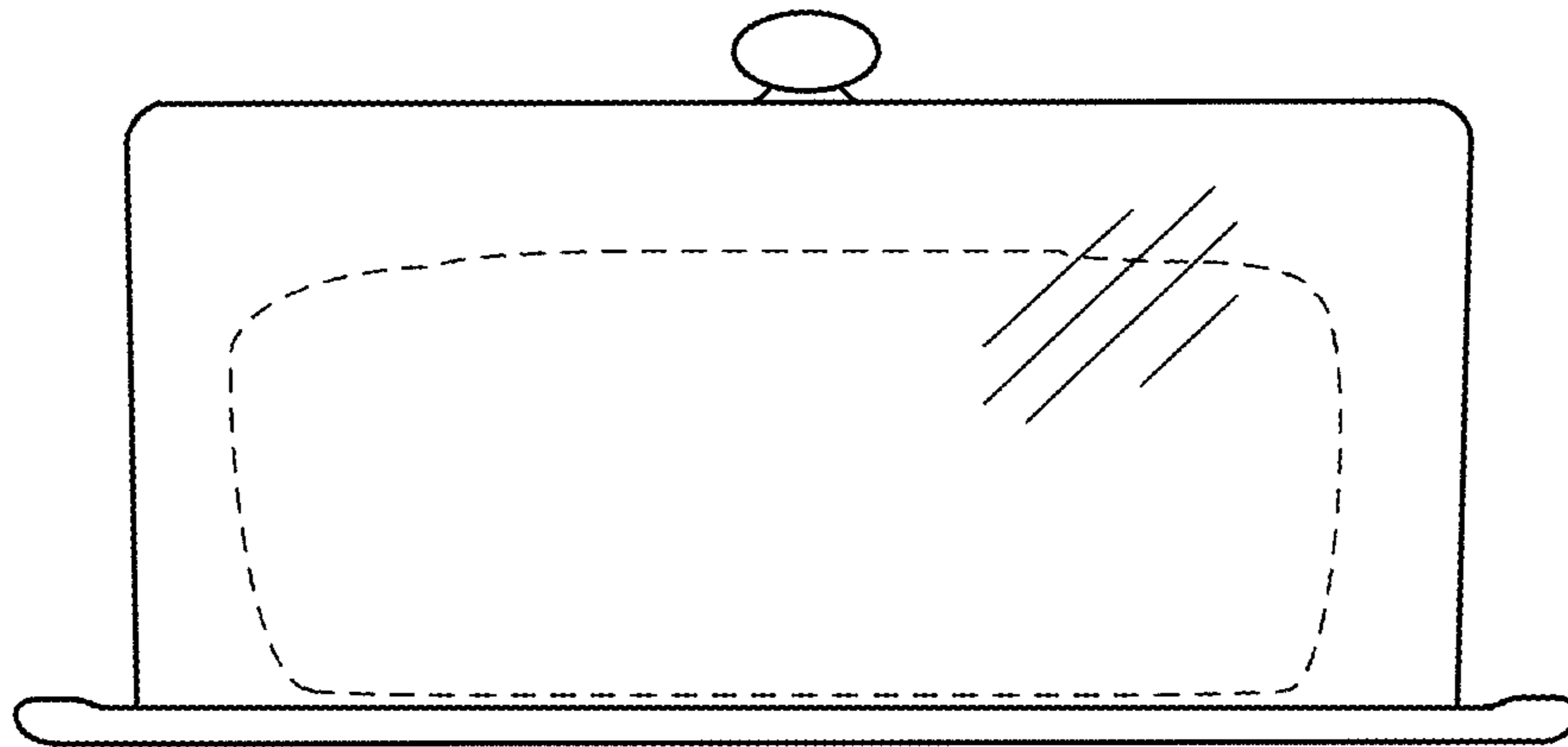


FIG. 9

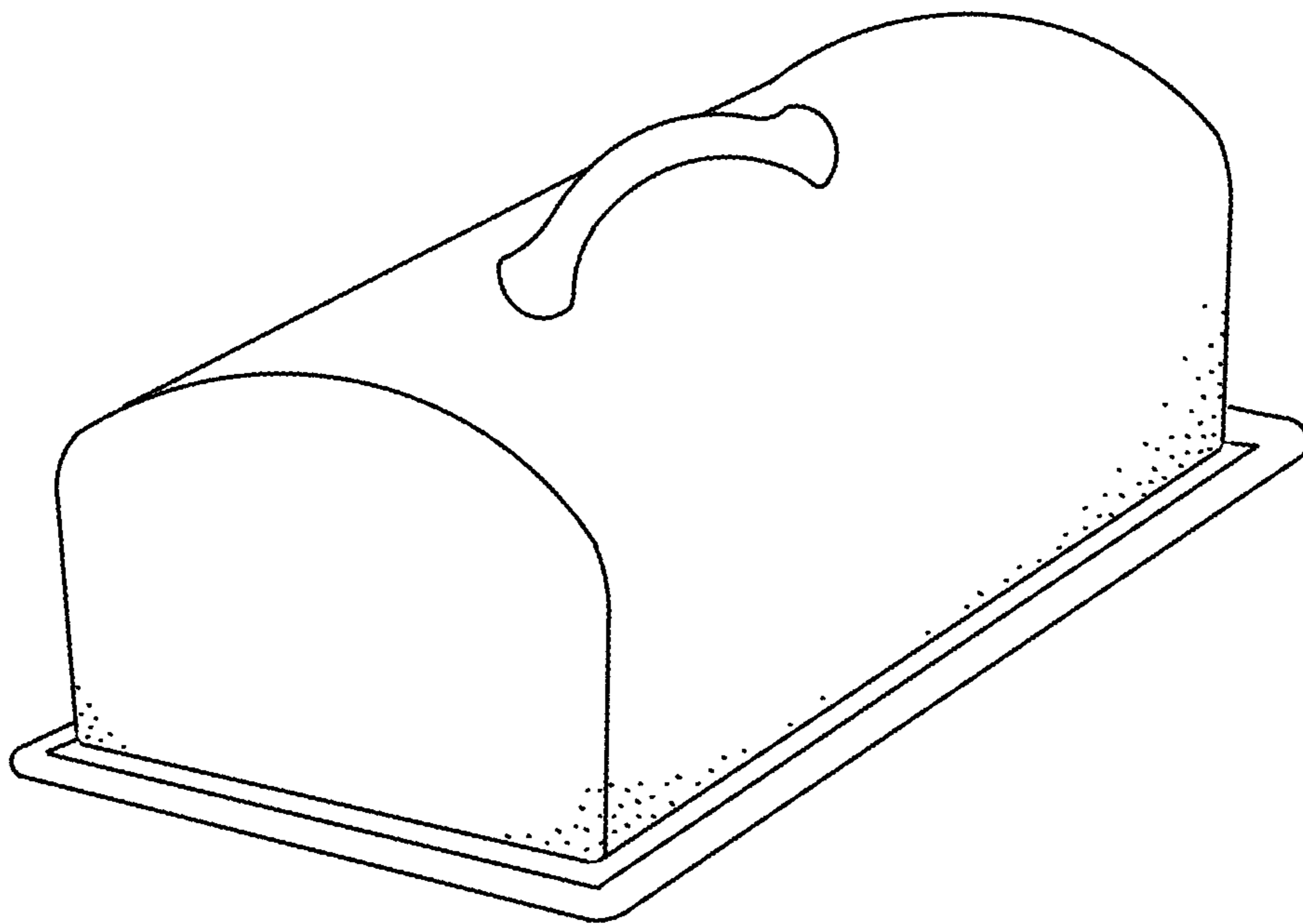


FIG. 10

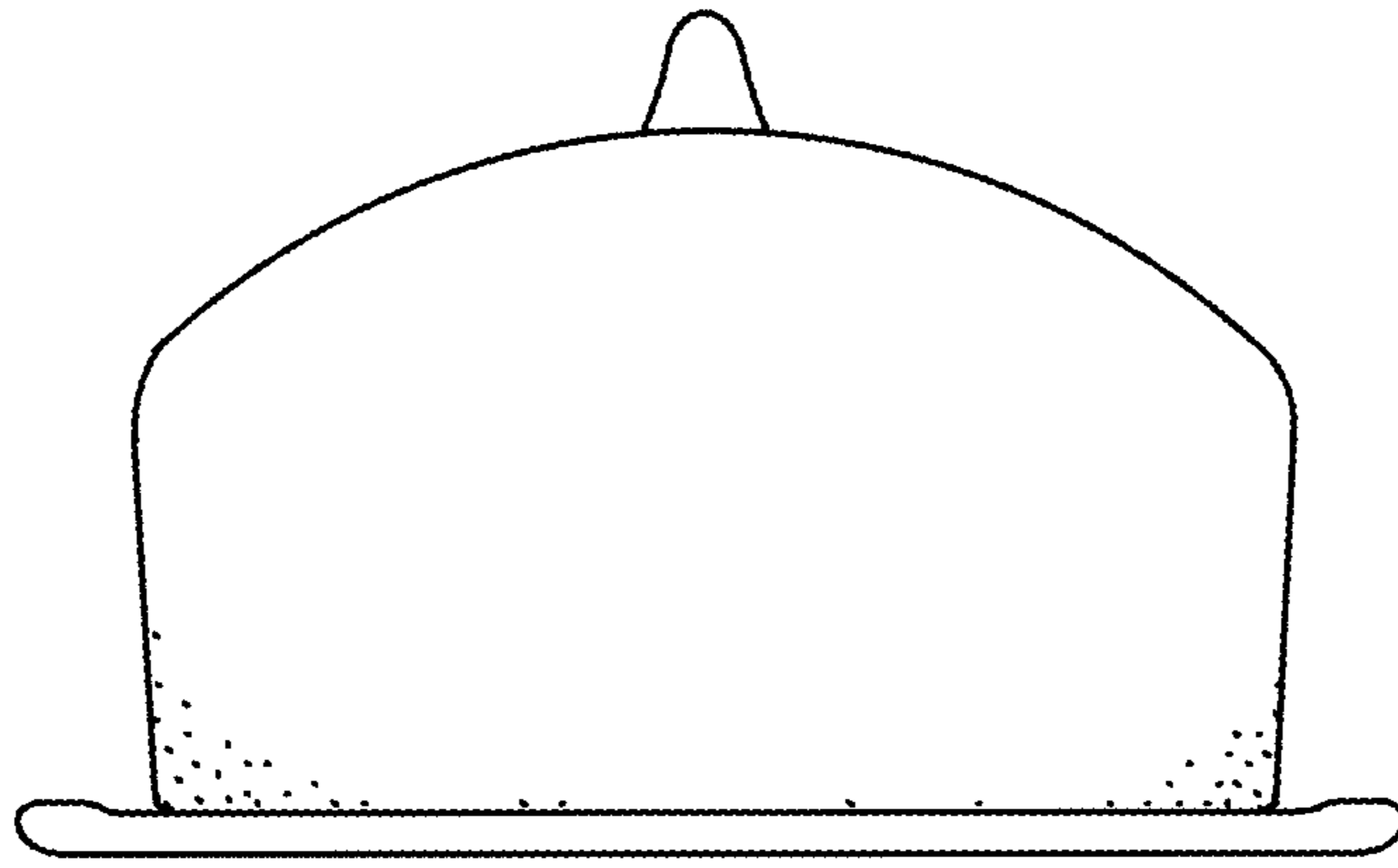


FIG. 11

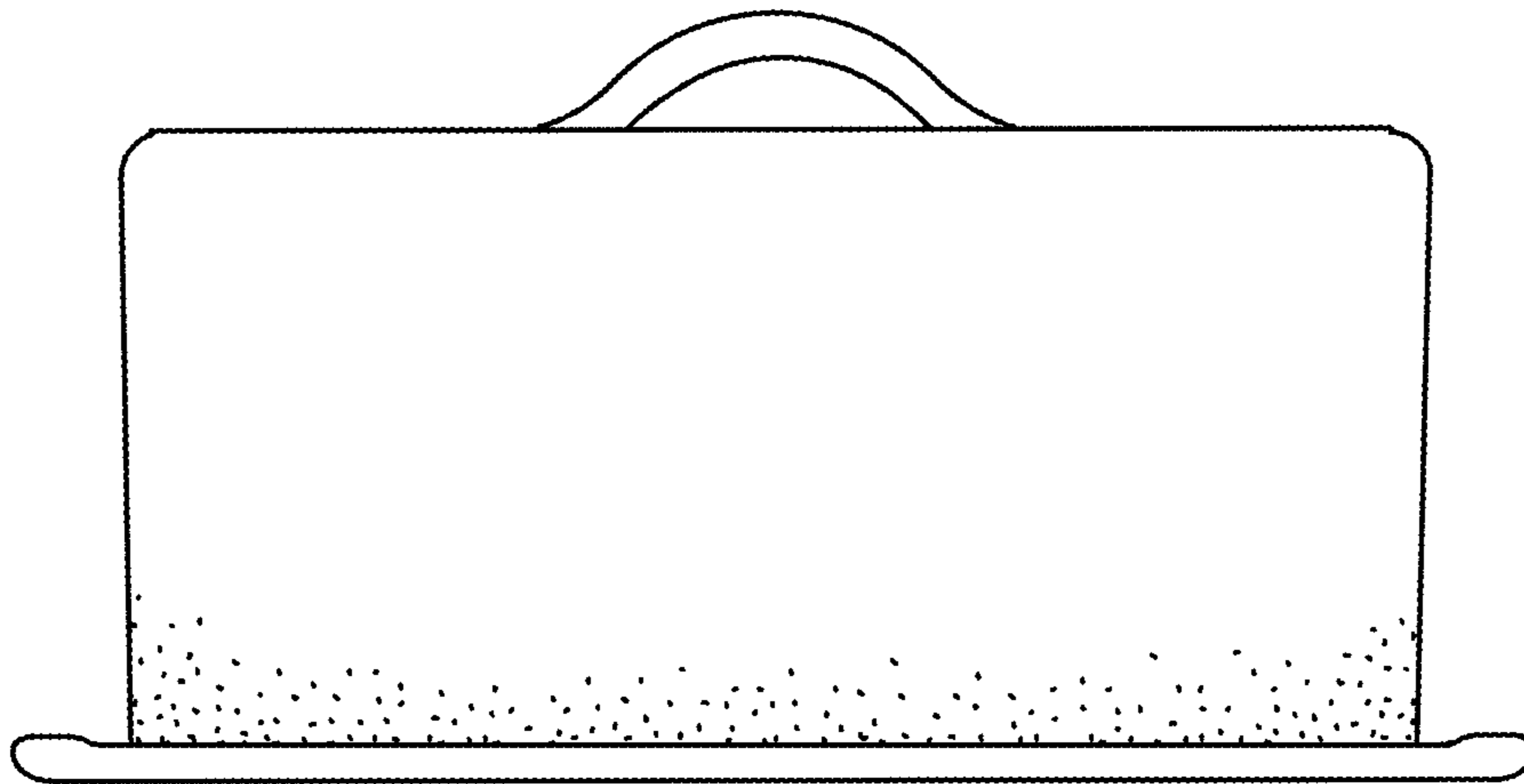


FIG. 12

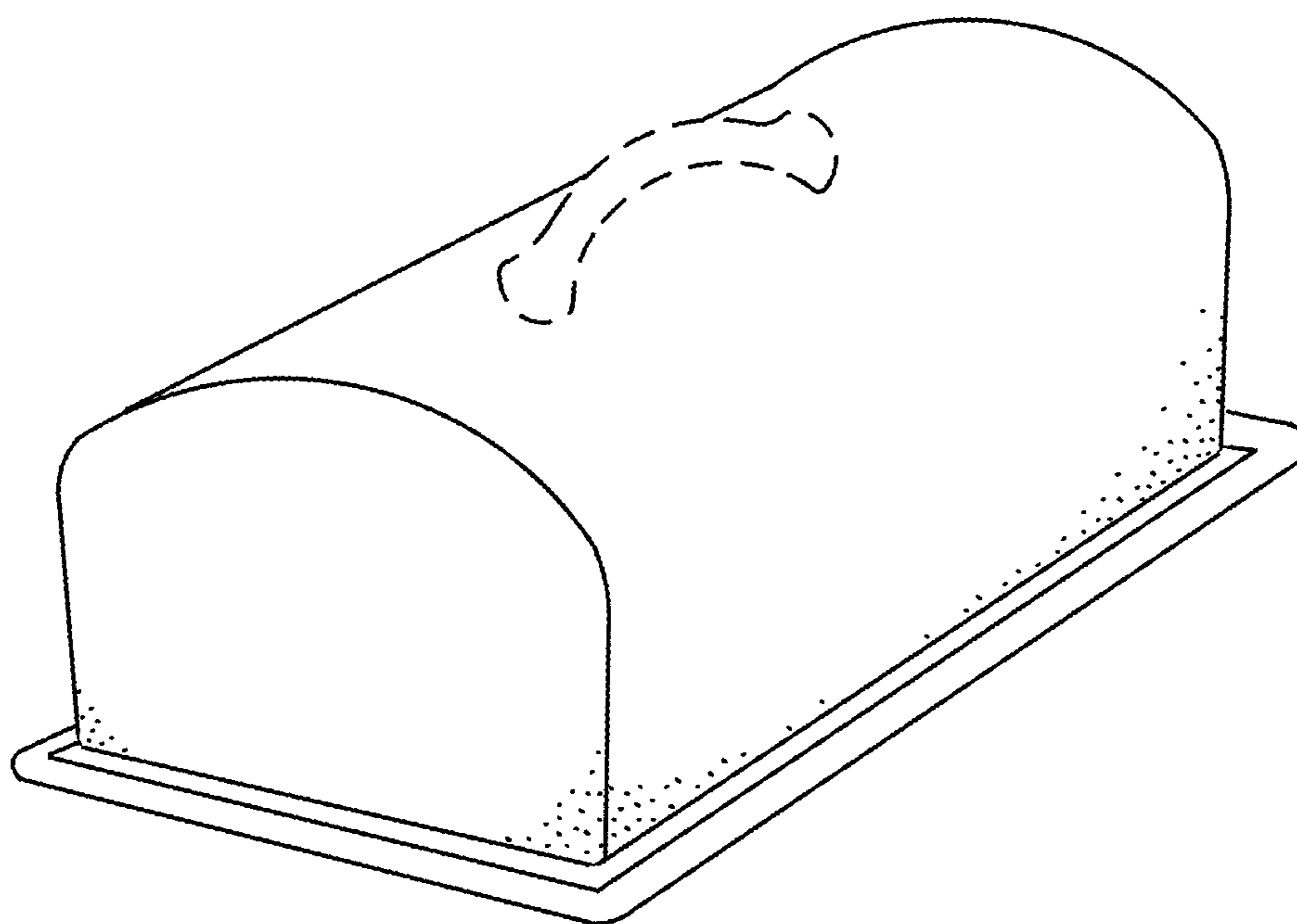


FIG. 13

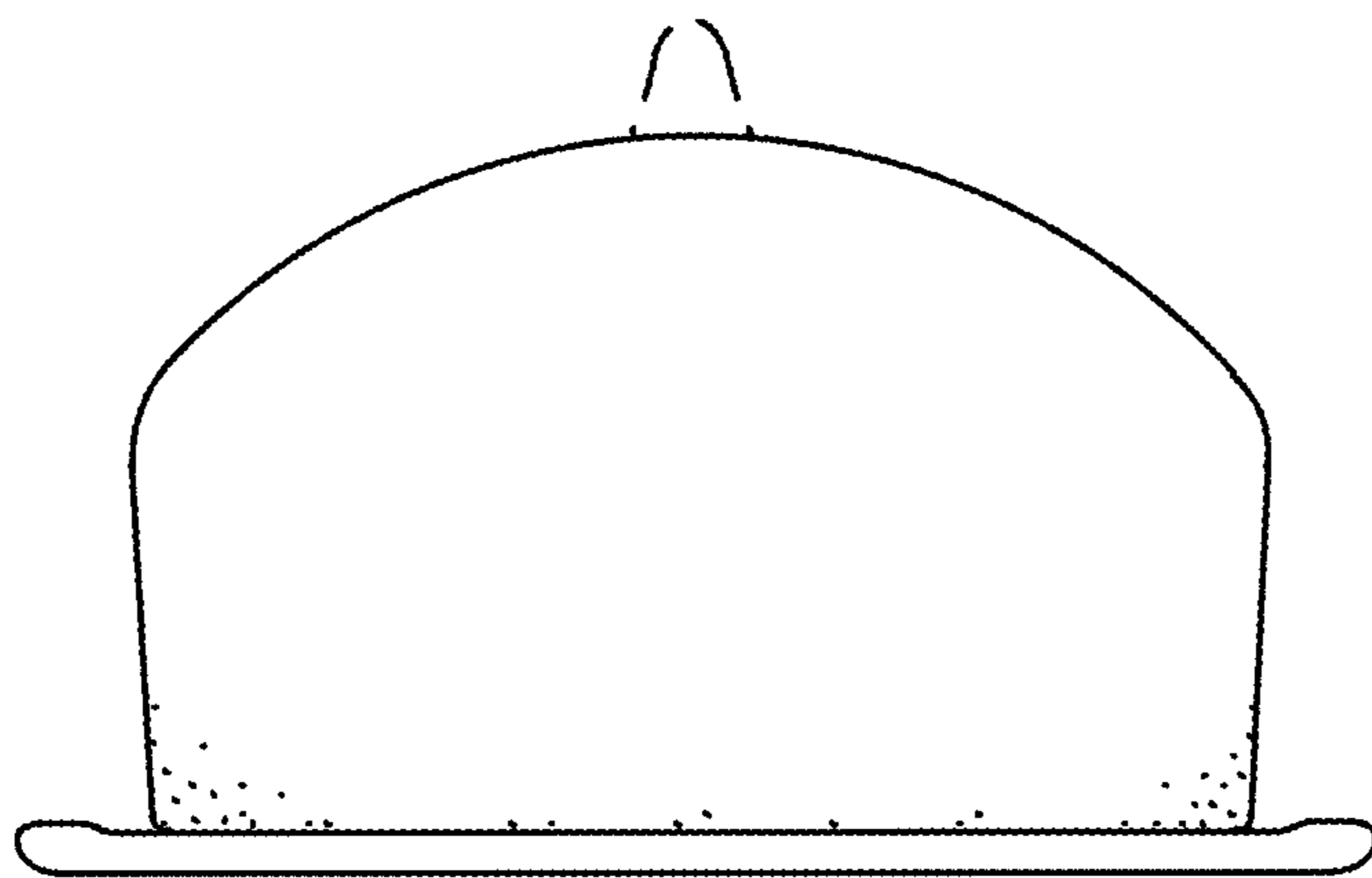


FIG. 14

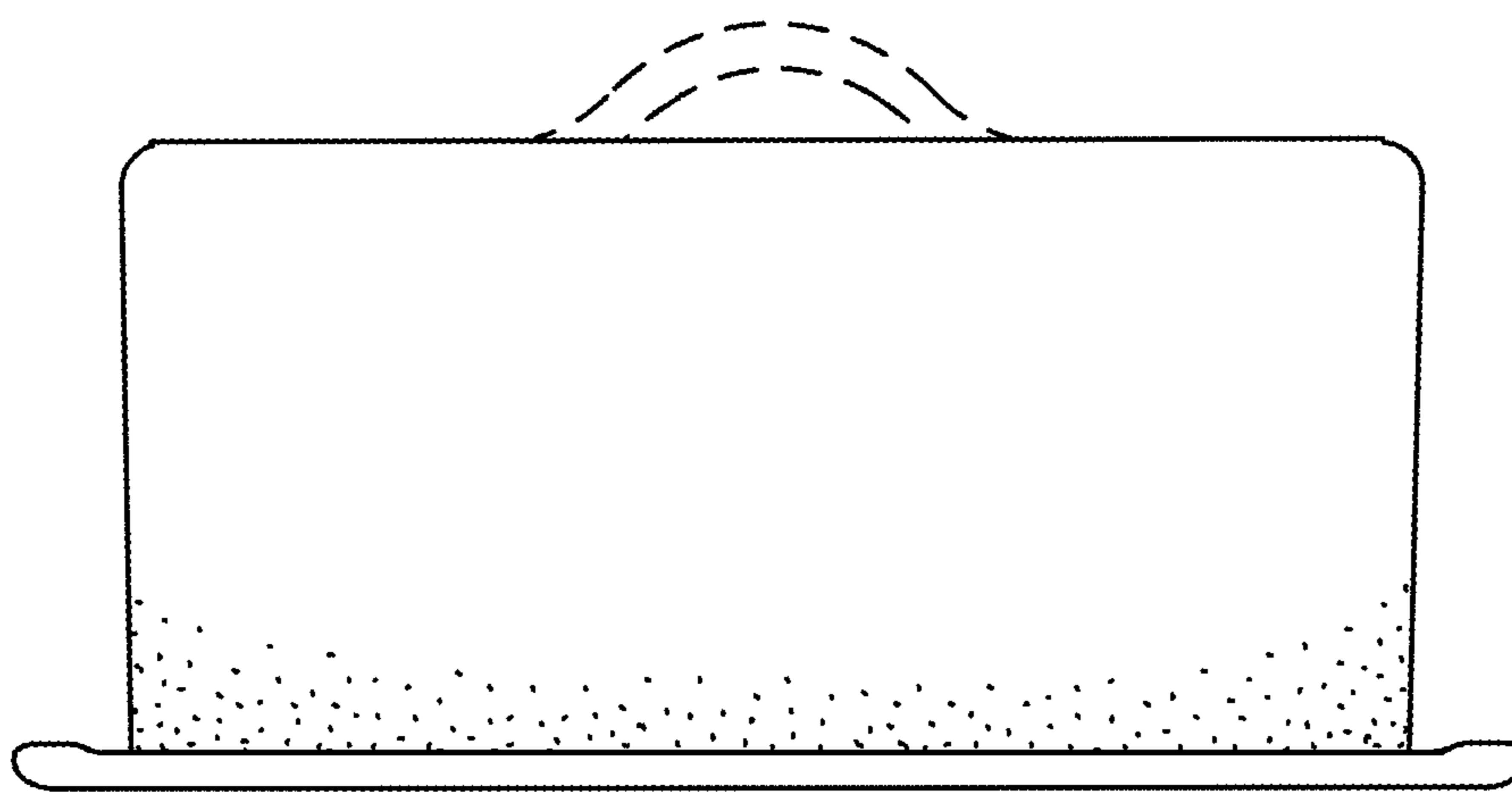


FIG. 15

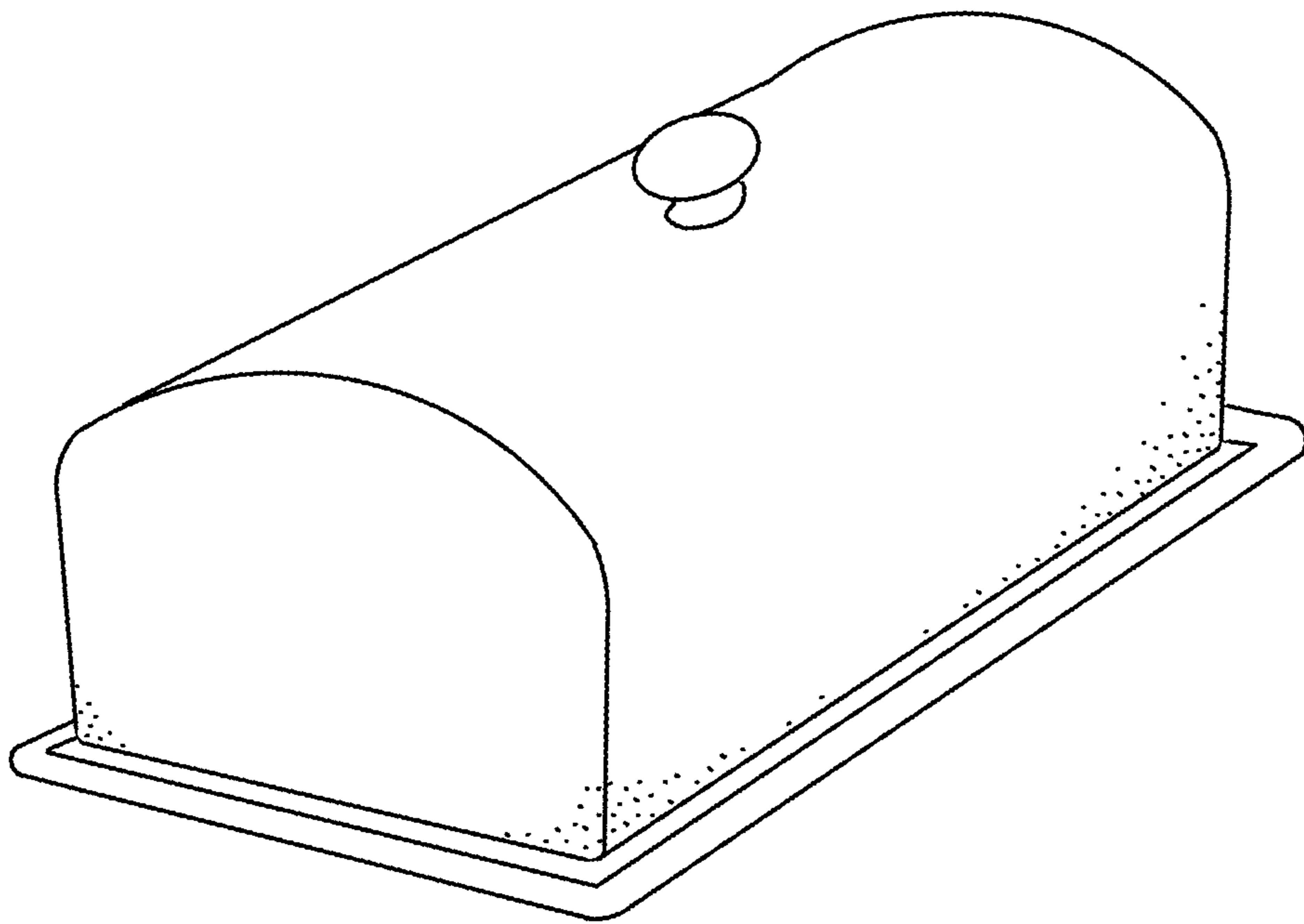


FIG. 16

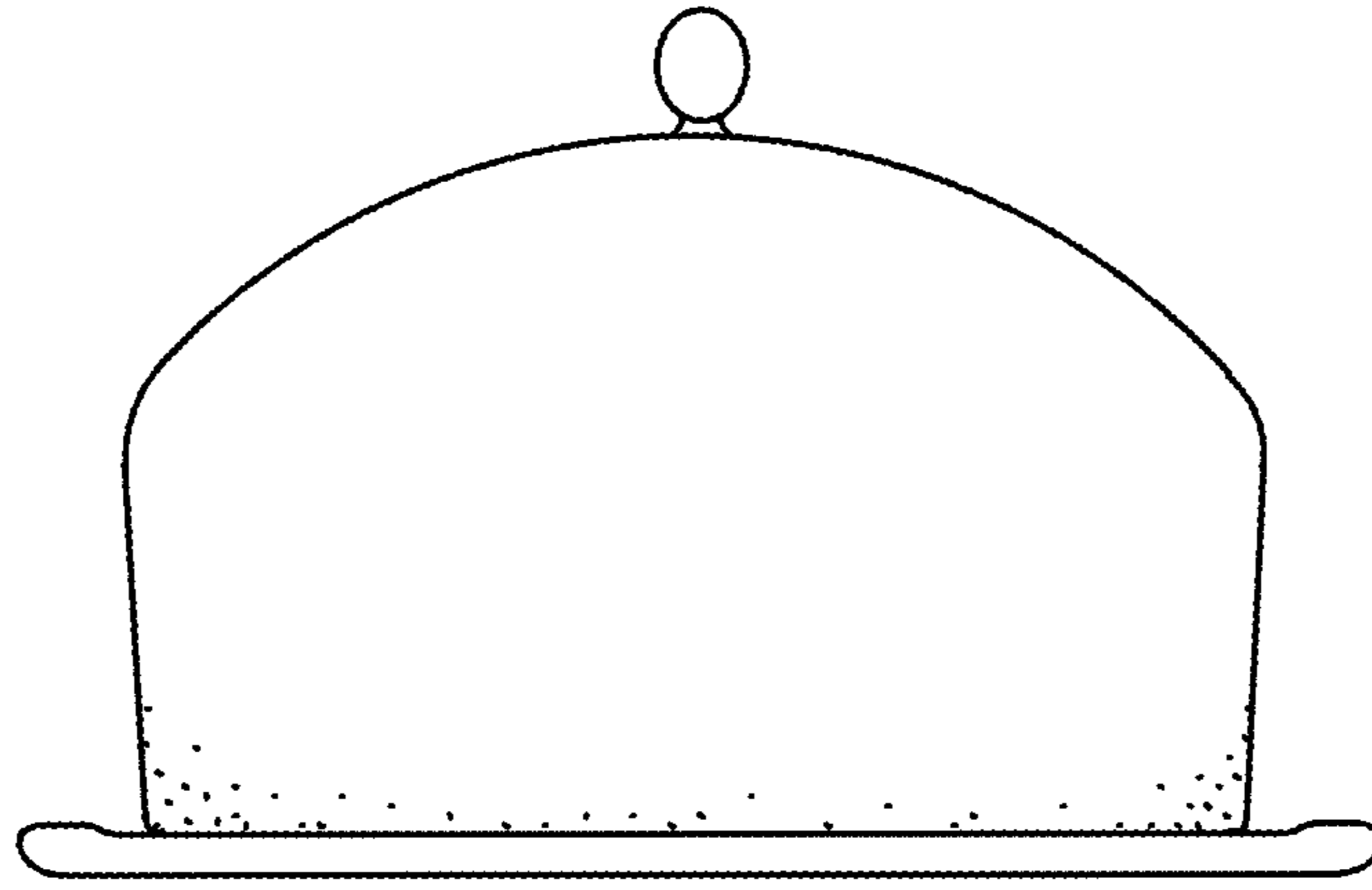


FIG. 17

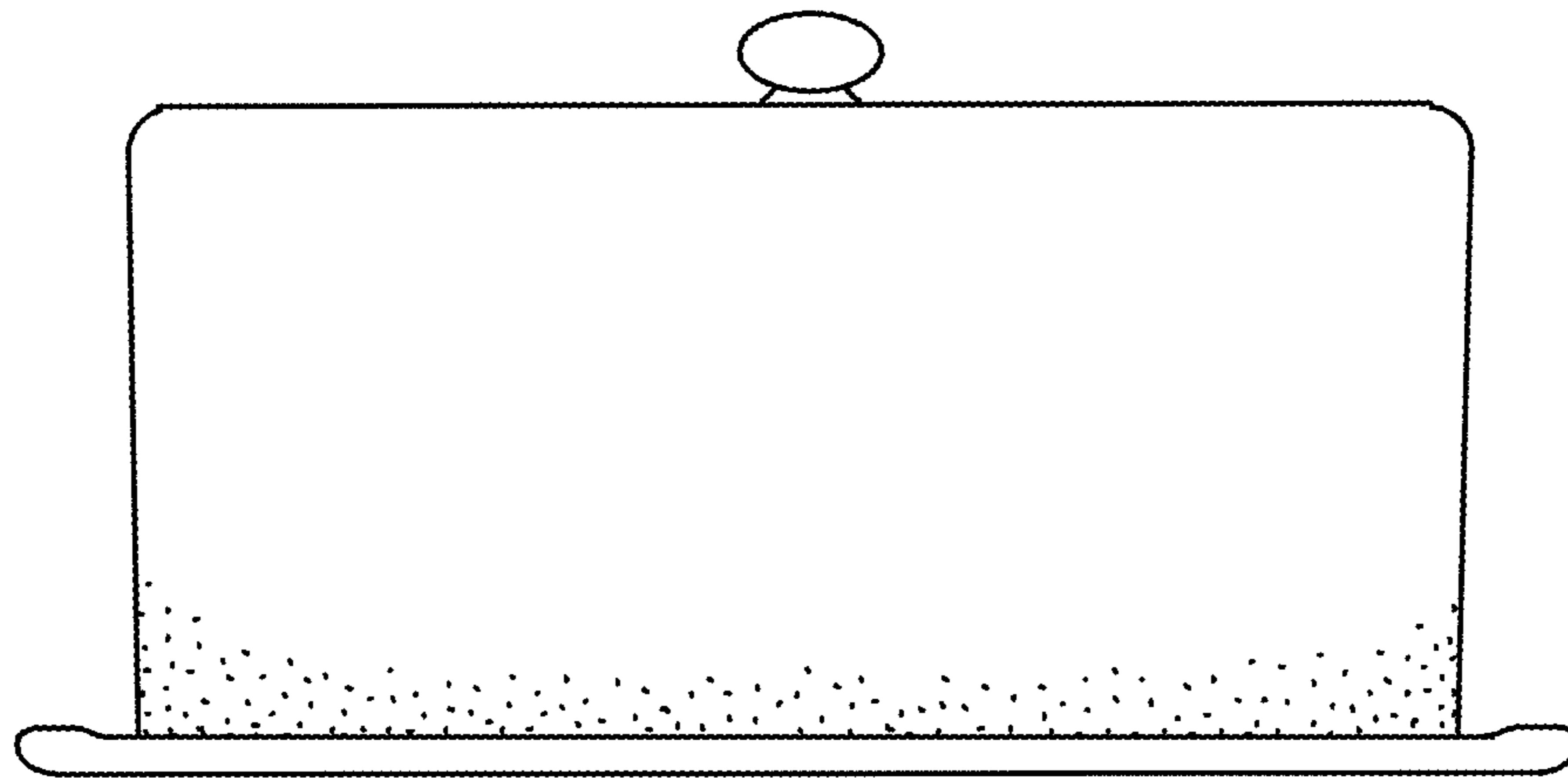


FIG. 18