



US00D702505S

(12) **United States Design Patent**
Nakatani

(10) **Patent No.:** **US D702,505 S**
(45) **Date of Patent:** **** Apr. 15, 2014**

(54) **VACUUM BOTTLE**

FOREIGN PATENT DOCUMENTS

(71) Applicant: **Zojirushi Corporation**, Osaka (JP)

JP 1242171 6/2005

(72) Inventor: **Shizuo Nakatani**, Osaka (JP)

JP 1274041 6/2006

(73) Assignee: **Zojirushi Corporation** (JP)

JP 1281886 9/2006

(**) Term: **14 Years**

JP 1282400 9/2006

(21) Appl. No.: **29/453,894**

JP 1301097 5/2007

(22) Filed: **May 3, 2013**

JP 1326770 4/2008

(30) **Foreign Application Priority Data**

JP 1326771 4/2008

Nov. 14, 2012 (JP) 2012-027842

JP 1333237 6/2008

(51) **LOC (10) Cl.** **07-01**

JP 1360269 5/2009

(52) **U.S. Cl.**

USPC **D7/605**

JP 1370305 10/2009

(58) **Field of Classification Search**

USPC D7/605, 608, 509-511, 313; D9/516,
D9/434, 549, 559, 575; 220/592.2, 592.21,
220/592.22, 592.23, 592.26, 592.27;
215/12.1, 12.2, 13.1; 62/457.1-457.9,
62/371, 372

See application file for complete search history.

* cited by examiner

Primary Examiner — Terry Wallace

(74) *Attorney, Agent, or Firm* — SAIDMAN DesignLaw Group

(56) **References Cited**

U.S. PATENT DOCUMENTS

4,189,061 A * 2/1980 Yu 220/326
D295,355 S * 4/1988 Leung D7/608
6,119,888 A * 9/2000 Goto et al. 220/592.27
D431,410 S * 10/2000 Huang D7/313
D488,675 S * 4/2004 Moore D7/608
D541,572 S * 5/2007 Watanabe D7/313
D619,418 S * 7/2010 Nezu et al. D7/510
D625,563 S * 10/2010 He D7/608

(57) **CLAIM**

The ornamental design for a vacuum bottle, as shown and described.

DESCRIPTION

FIG. 1 is a front perspective view of a vacuum bottle showing my new design;

FIG. 2 is a rear perspective view thereof;

FIG. 3 is a front view thereof;

FIG. 4 is a rear view thereof;

FIG. 5 is a left side view thereof; opposite right side view being mirror image thereof;

FIG. 6 is a top view thereof;

FIG. 7 is a bottom view thereof;

FIG. 8 is another front perspective view, wherein the upper cap is opened; and,

FIG. 9 is another rear perspective view, wherein the upper cap is opened.

1 Claim, 9 Drawing Sheets

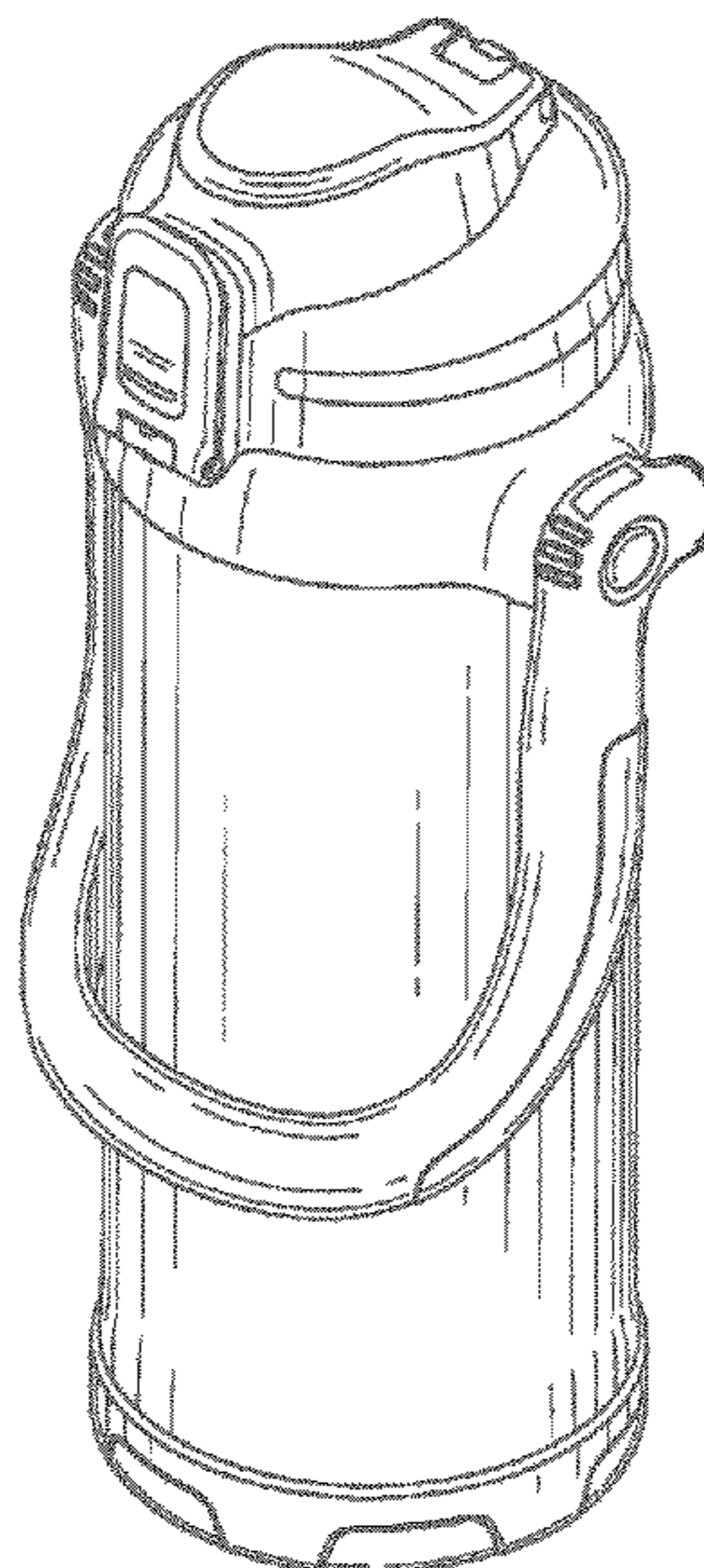


Fig. 1

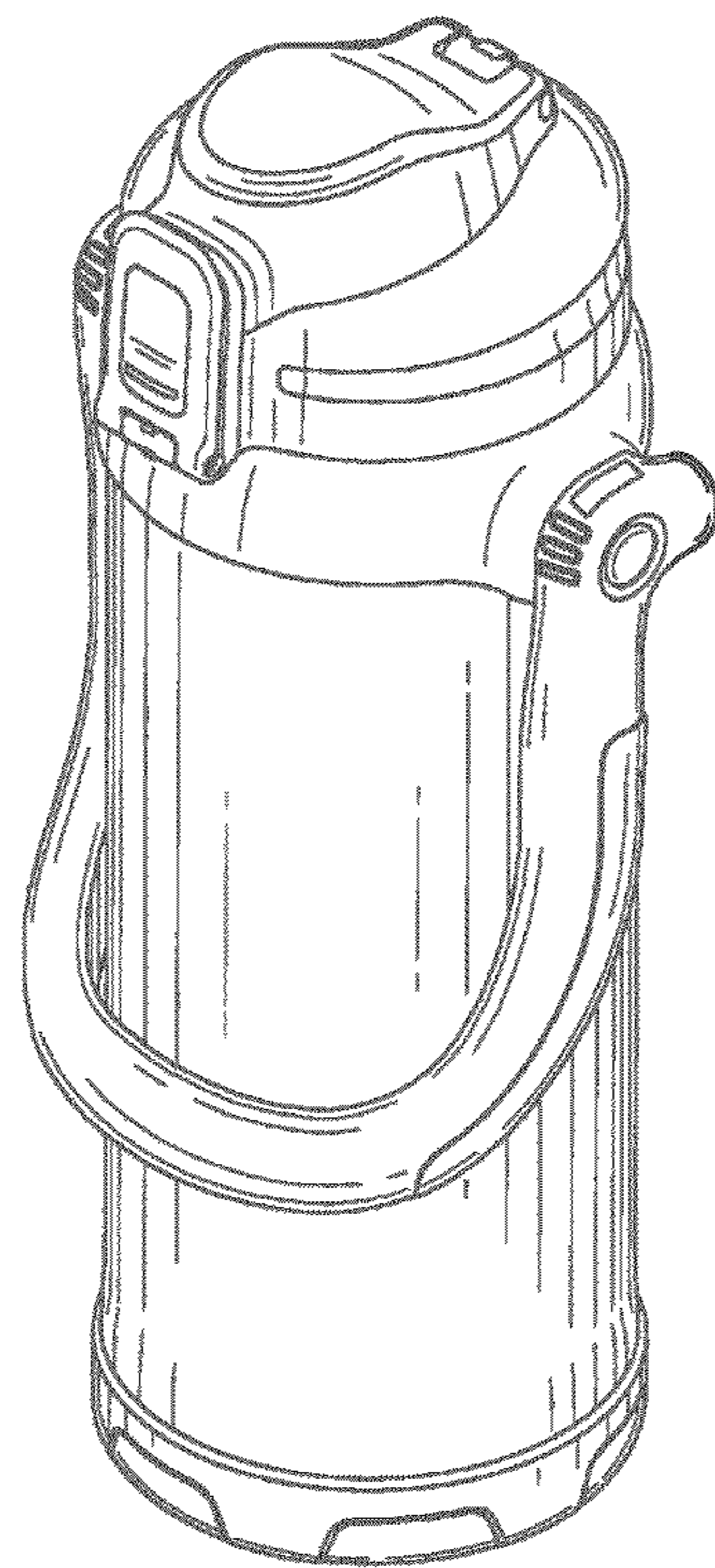


Fig. 2

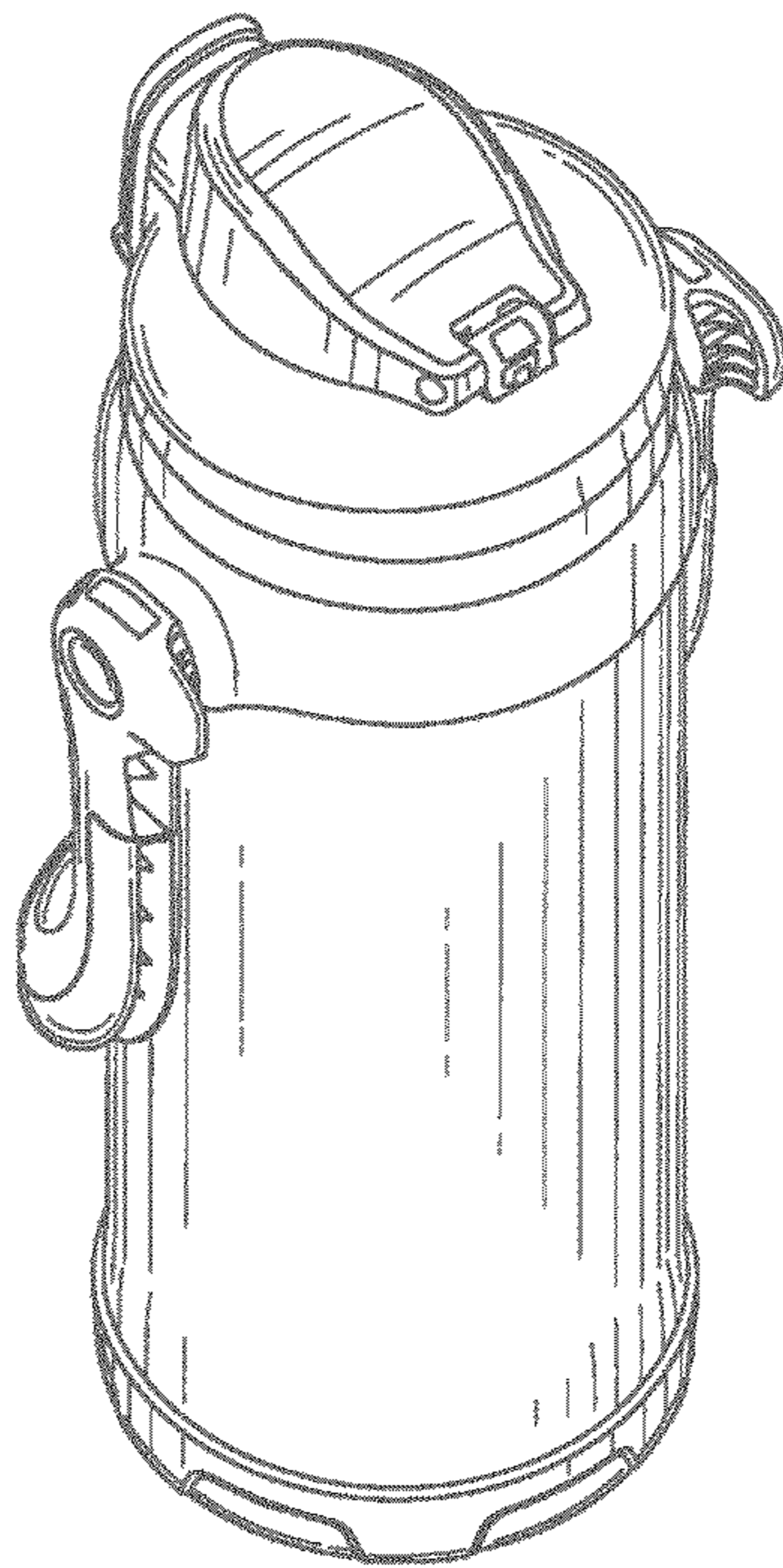


Fig. 3

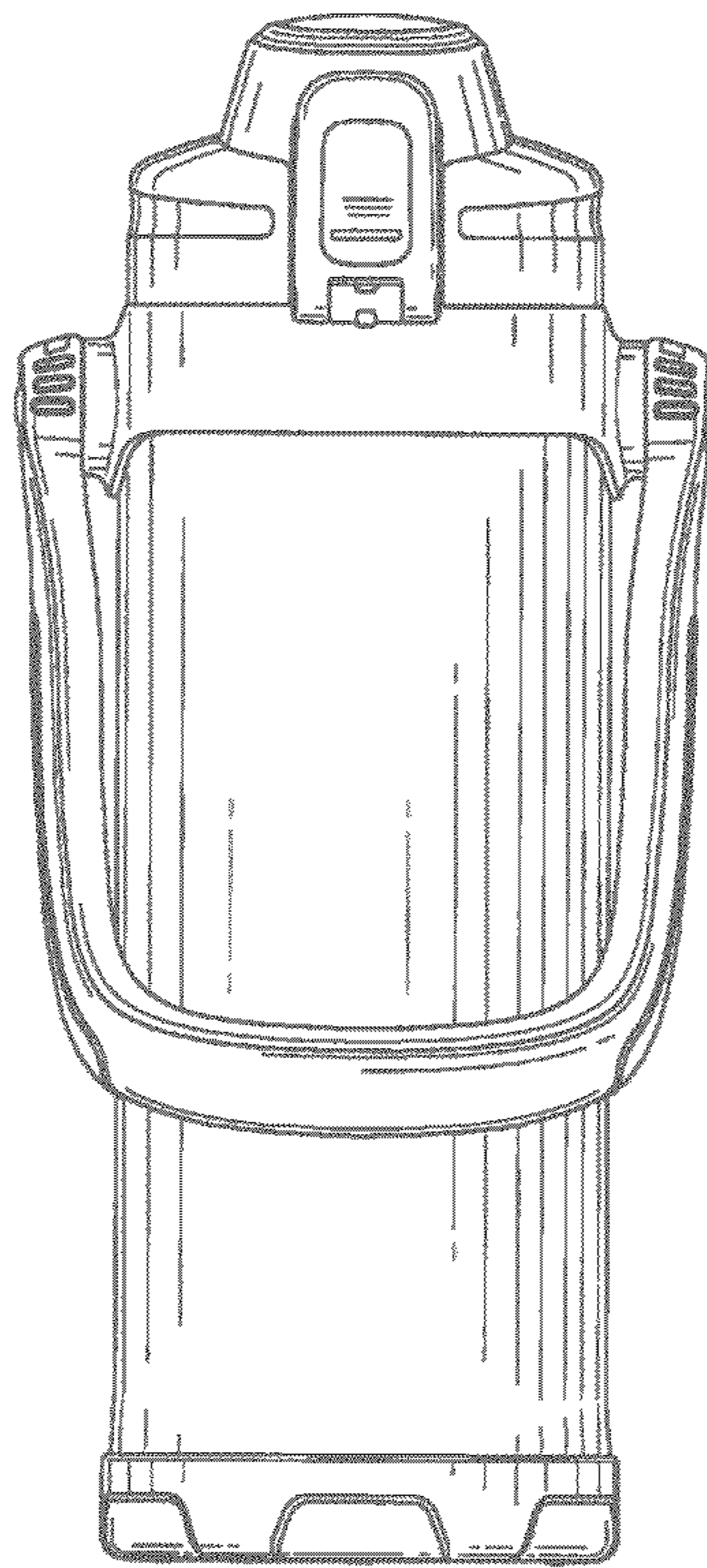


Fig. 4

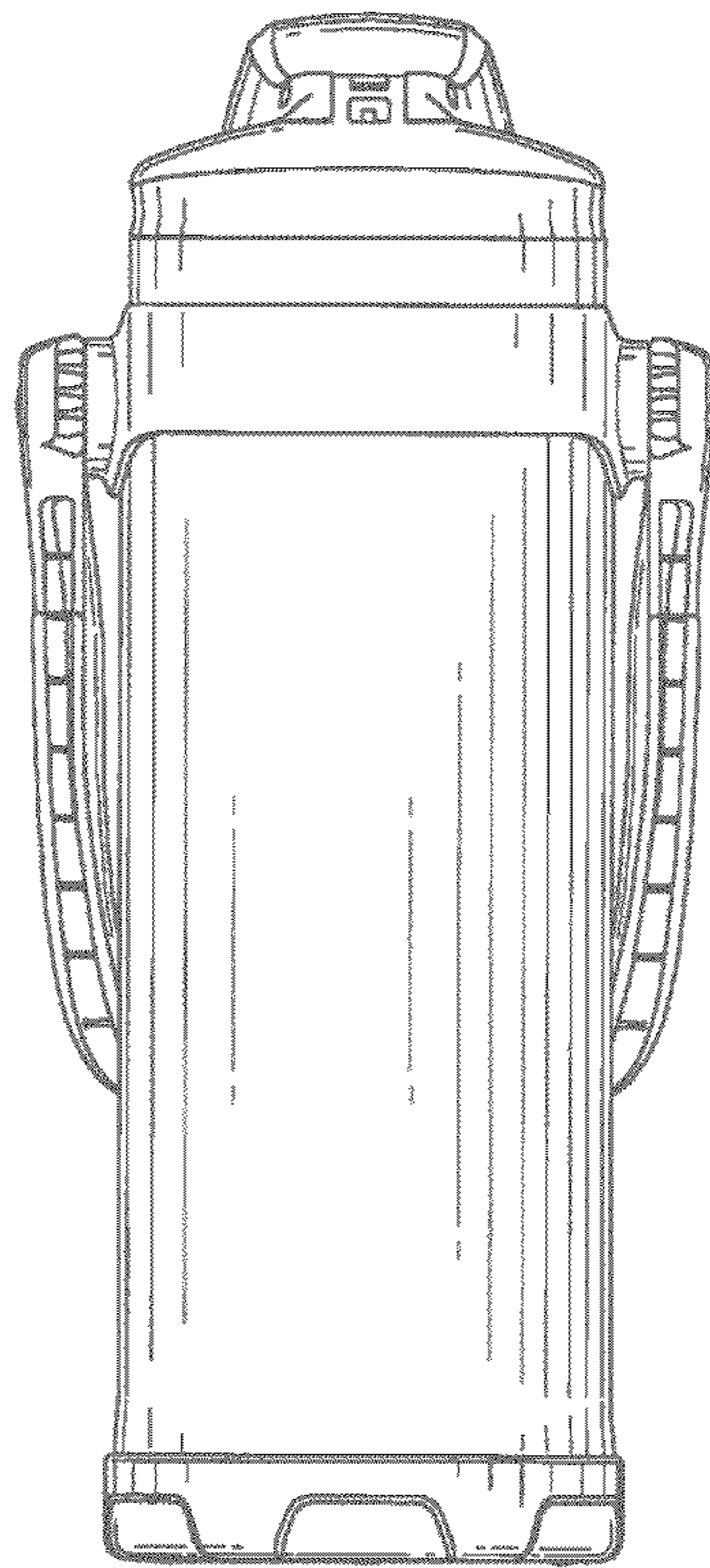


Fig. 5

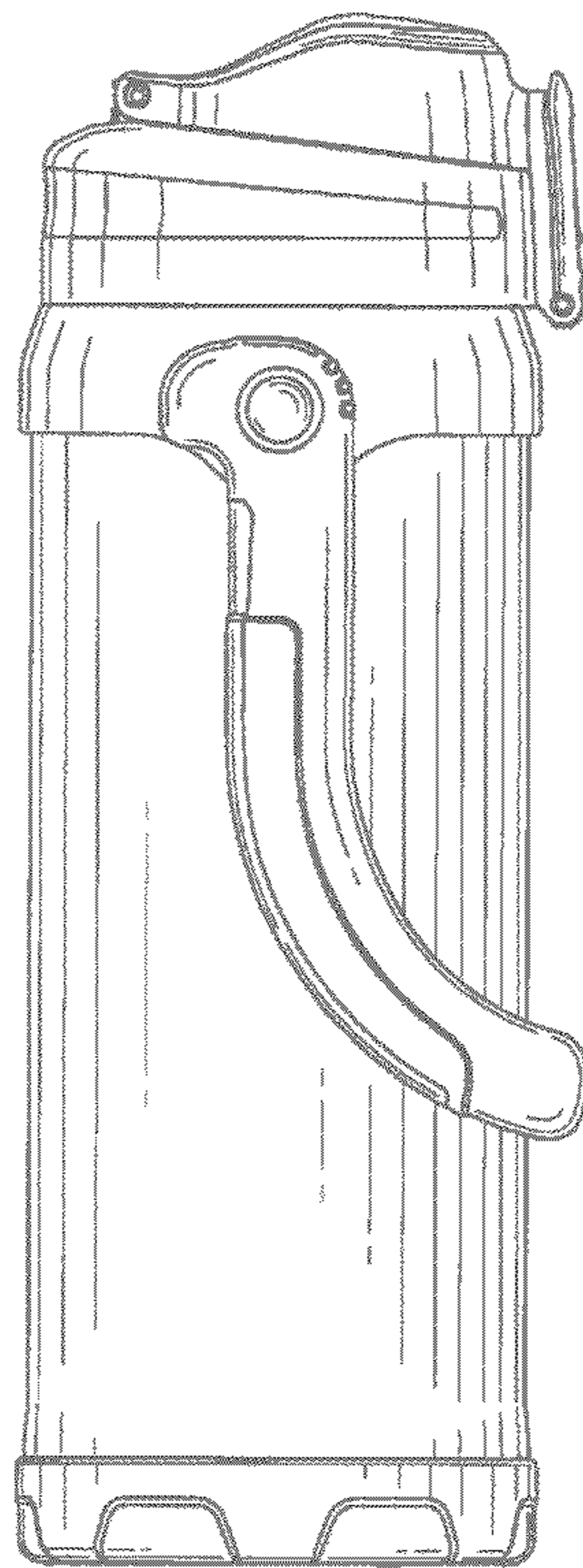


Fig. 6

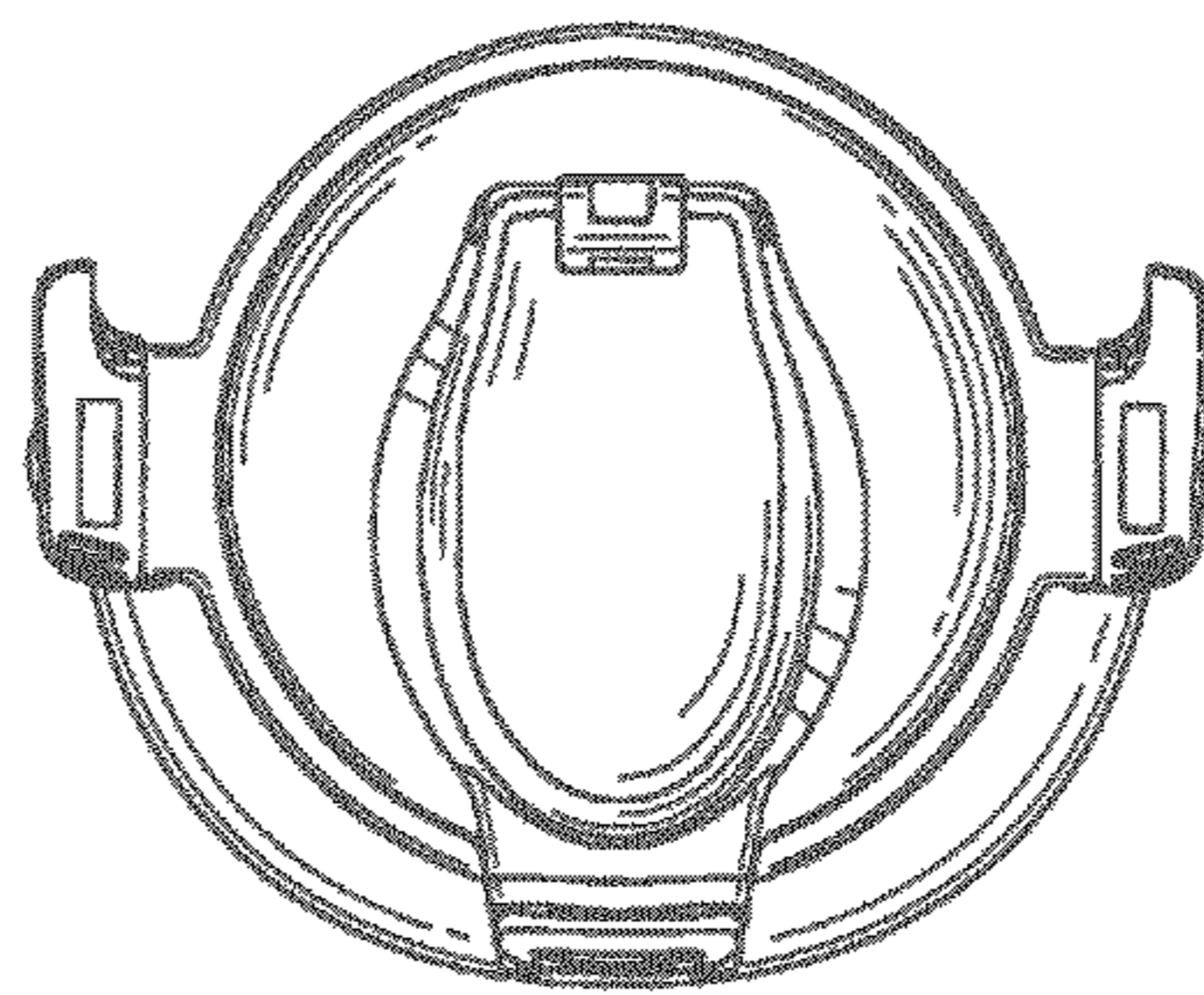


Fig. 7

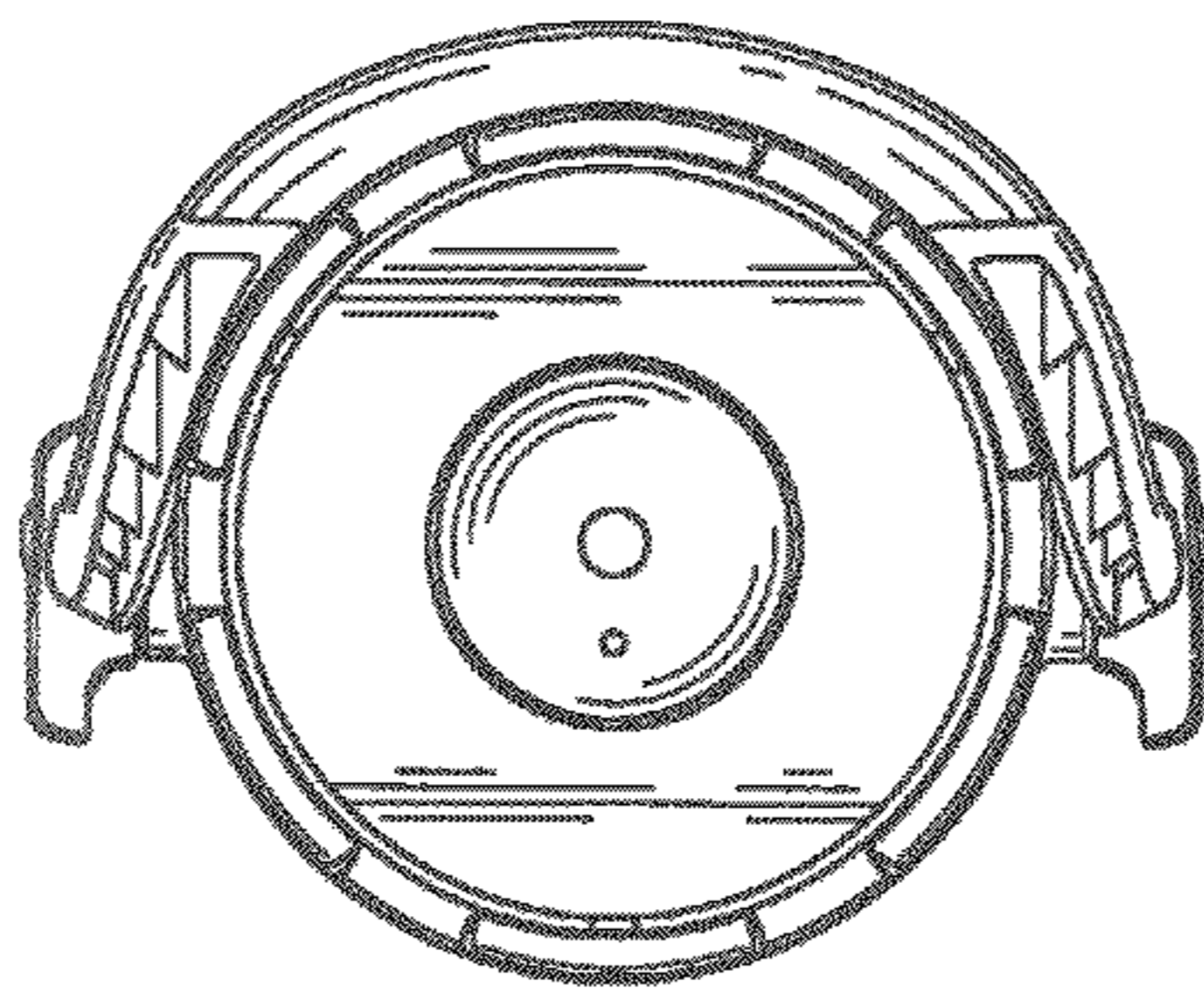


Fig. 8

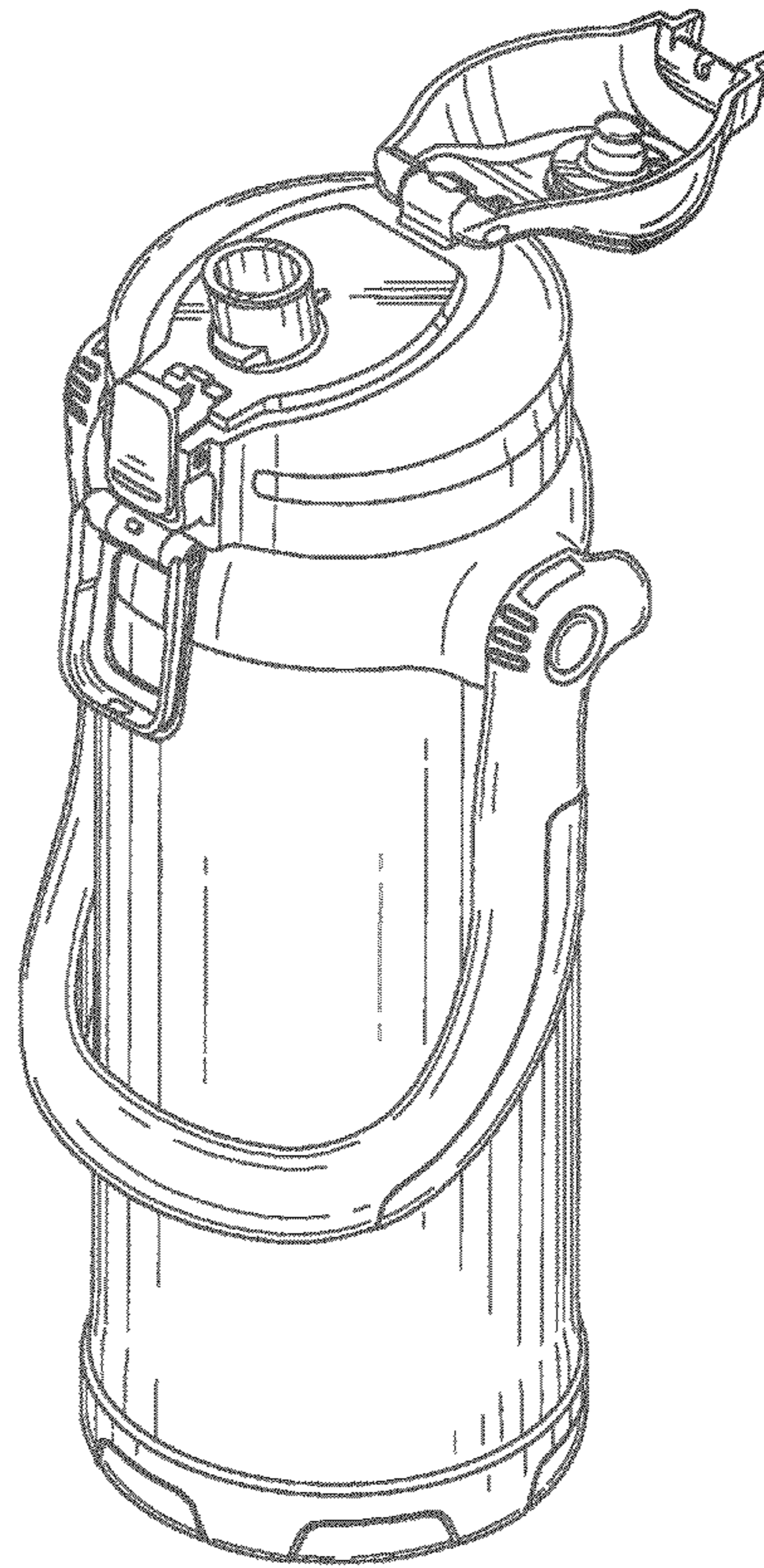


Fig. 9

